

Audi

Protected by copyright. Copying for private or commercial purposes, in part or in whole, is not permitted unless authorized in writing by Audi AG. Audi AG does not accept any liability with respect to the correctness of the information in this document.

Workshop Manual

Audi A8 2003 >

Audi A8 2010 >

Wheel/Tyre Guide

Edition 07.2014

List of Workshop Manual Repair GroupsList of Workshop Manual Repair GroupsList of Workshop Manual Repair Groups

Repair Group

44 - Wheels, tyres, vehicle geometry



Protected by copyright. Copying for private or commercial purposes, in part or in whole, is not permitted unless authorised by AUDI AG. AUDI AG does not guarantee or accept any liability with respect to the correctness of information in this document. Copyright by AUDI AG.

Technical information should always be available to the foremen and mechanics, because their careful and constant adherence to the instructions is essential to ensure vehicle road-worthiness and safety. In addition, the normal basic safety precautions for working on motor vehicles must, as a matter of course, be observed.

All rights reserved.
No reproduction without prior agreement from publisher.

Contents

44 - Wheels, tyres, vehicle geometry	1
1 Audi A8, type 4E	1
1.1 Audi A8, type 4E (model year 2003)	1
1.2 Audi A8, type 4E (model years 2004 to 2005)	4
1.3 Audi A8, type 4E (model year 2006)	9
1.4 Audi A8, type 4E (model year 2007)	17
1.5 Audi A8, type 4E (model years 2008 to 2009)	22
1.6 Audi A8, type 4E (model year 2010)	29
1.7 Audi S8, type 4E (model year 2007 >)	35
2 Rims - A8, type 4E	37
2.1 7.5 J x 16 rim	37
2.2 7.5 J x 17 rim	38
2.3 8 J x 17 rim	39
2.4 7.5 J x 18 rim	40
2.5 8 J x 18 rim	41
2.6 8.5 J x 18 rim	42
2.7 8 J x 19 rim	44
2.8 8.5 J x 19 rim	44
2.9 9 J x 19 rim	46
2.10 8.5 J x 20 rim	47
2.11 9 J x 20 rim	47
2.12 Rims for PAX tyres	49
3 Recommended tyres - A8, type 4E	52
3.1 Recommended summer tyres	52
3.2 Recommended all-season tyres	52
3.3 Recommended winter tyres	53
4 Audi A8, type 4H	54
4.1 Audi A8, type 4H (model years 2010 to 2015)	54
4.2 Audi S8, type 4H (model years 2012 - 2015)	65
5 Rims - A8, type 4H	67
5.1 7.5 J x 17 rim	67
5.2 8 J x 17 rim	68
5.3 7.5 J x 18 rim	69
5.4 8 J x 18 rim	69
5.5 7.5 J x 19 rim	70
5.6 9 J x 19 rim	71
5.7 9 J x 20 rim	73
5.8 9 J x 21 rim	76
6 Rims for PAX tyres	78
6.1 Summer rims for PAX tyres	78
6.2 Winter rims for PAX tyres	79
6.3 Winter rims for PAX studded tyres	79
6.4 Rims for special security vehicles	80
7 Recommended tyres - A8, type 4H	81
7.1 Recommended summer tyres	81
7.2 Recommended all-season tyres	81
7.3 Recommended winter tyres	81
8 Tyre pressures	83
8.1 Tyre pressures - A8, type 4H	83



Audi


Protected by copyright. Copying for private or commercial purposes, in part or in whole, is not permitted unless authorised by AUDI AG. AUDI AG does not guarantee or accept any liability with respect to the correctness of information in this document. Copyright by AUDI AG.

44 – Wheels, tyres, vehicle geometry

1 Audi A8, type 4E

(ARL003935; Edition 07.2014)

⇒ [“4 Audi A8, type 4H”, page 54](#)



Caution

Rims for type 4E vehicles cannot be combined with rims for type 4H.

A8, type 4E: hub diameter 57 mm, bolt circle diameter 112 mm, 5 wheel bolts, 120 Nm, (PAX wheels 140 Nm)

A8, type 4H: hub diameter 66.5 mm, bolt circle diameter 112 mm, 5 wheel bolts, 120 Nm, (PAX wheels 140 Nm)



Note

Protected by copyright. Copying for private or commercial purposes, in part or in whole, is not permitted. Audi AG does not guarantee or accept any liability with respect to the correctness of information in this document. Copyright by AUDI AG.

⇒ [“8 Tyre pressures”, page 83](#)

⇒ [“1.1 Audi A8, type 4E \(model year 2003\)”, page 1](#)

⇒ [“1.2 Audi A8, type 4E \(model years 2004 to 2005\)”, page 4](#)

⇒ [“1.3 Audi A8, type 4E \(model year 2006\)”, page 9](#)

⇒ [“1.4 Audi A8, type 4E \(model year 2007\)”, page 17](#)

⇒ [“1.5 Audi A8, type 4E \(model years 2008 to 2009\)”, page 22](#)

⇒ [“1.6 Audi A8, type 4E \(model year 2010\)”, page 29](#)

S8:

⇒ [“1.7 Audi S8, type 4E \(model year 2007 >\)”, page 35](#)

1.1 Audi A8, type 4E (model year 2003)


⇒ [“1 Audi A8, type 4E”, page 1](#)

⇒ [“1.1.1 3.7 ltr. engine - 206 kW”, page 1](#)

⇒ [“1.1.2 4.2 ltr. engine - 246 kW”, page 2](#)

⇒ [“1.1.3 4.0 ltr. TDI engine - 202 kW”, page 3](#)

1.1.1 3.7 ltr. engine - 206 kW



Caution

It is not possible to fit the temporary spare wheel if ceramic brakes are installed.

 **Note**

- ◆ Check the available documentation to establish whether the desired rim size or wheel size is permissible for the vehicle in question.
- ◆ When fitting wheels from Audi Genuine Accessories, please also refer to the instructions in the Accessories ETKA (Z-ETKA).

A8, type 4E

Protected by copyright. Copying for private or commercial purposes, in part or in whole, is not permitted unless authorized by AUDI AG. AUDI AG does not guarantee or accept any liability for the correctness of the information provided by AUDI AG.

Rim	Offset (mm)	Tyre size	Winter	Summer	Snow chains	Footnote
8 J x 17	43	235/55 R 17 99 Y		x	-	1)
8 J x 18	43	235/50 R 18 101 Y XL		x	-	1)
8.5 J x 18	45	255/45 R 18 99 Y		x	-	1)
8.5 J x 19	42	255/40 R 19 100 Y XL		x	-	
8.5 J x 19	45	255/40 R 19 100 Y XL		x	-	
9 J x 19	41	255/40 R 19 100 Y XL		x	-	
9 J x 19	44	255/40 R 19 100 Y XL		x	-	
8.5 J x 20	45	255/35 R 20 97 Y		x	-	
9 J x 20	46	275/35 R 20 102 Y XL		x	-	
235 x 500 A	41	245/960 R 500 A 99 Y		x	-	2)
7.5 J x 17	40	235/55 R 17 99 H	x		front	1)
7.5 J x 18	40	235/50 R 18 101 H XL	x		front	1)
235 x 500 A	41	235/690 R 500 A 102 H XL	x		front	2)

XL = Extra load, reinforced


1) Not permissible with ceramic brakes (PR 1LW / 1LU)

2) Only permissible with factory-fitted Tyre Pressure Monitoring System/Tyre Pressure Loss Indicator

⇒ ["1 Audi A8, type 4E", page 1](#)

⇒ ["2 Rims - A8, type 4E", page 37](#)

1.1.2 4.2 ltr. engine - 246 kW

 **Caution**

It is not possible to fit the temporary spare wheel if ceramic brakes are installed.

 **Note**

- ◆ Check the available documentation to establish whether the desired rim size or wheel size is permissible for the vehicle in question.
- ◆ When fitting wheels from Audi Genuine Accessories, please also refer to the instructions in the Accessories ETKA (Z-ETKA).

A8, type 4E

Rim	Offset (mm)	Tyre size	Winter	Summer	Snow chains	Footnote
8 J x 17	43	235/55 R 17 99 Y		x	-	3)
8 J x 18	43	235/50 R 18 101 Y XL		x	-	3)
8.5 J x 18	45	255/45 R 18 99 Y		x	-	3)
8.5 J x 19	42	255/40 R 19 100 Y XL		x	-	
8.5 J x 19	45	255/40 R 19 100 Y XL		x	-	
9 J x 19	41	255/40 R 19 100 Y XL		x	-	
9 J x 19	44	255/40 R 19 100 Y XL		x	-	
8.5 J x 20	45	255/35 R 20 97 Y		x	-	
9 J x 20	46	275/35 R 20 102 Y XL		x	-	
235 x 500 A	41	245/960 R 500 A 99 Y		x	-	4)
7.5 J x 17	40	235/55 R 17 99 H	x		front	3)
7.5 J x 18	40	235/50 R 18 101 H XL	x		front	3)
235 x 500 A	41	235/690 R 500 A 102 H XL	x		front	4)

XL = Extra load, reinforced


3) Not permissible with ceramic brakes (1LW / 1LU)

4) Only permissible with factory-fitted Tyre Pressure Monitoring System/Tyre Pressure Loss Indicator

⇒ ["1 Audi A8, type 4E", page 1](#)

⇒ ["2 Rims - A8, type 4E", page 37](#)

1.1.3 4.0 ltr. TDI engine - 202 kW

	Caution
<i>It is not possible to fit the temporary spare wheel if ceramic brakes are installed.</i>	

Note

- ◆ Check the available documentation to establish whether the desired rim size or wheel size is permissible for the vehicle in question.
- ◆ When fitting wheels from Audi Genuine Accessories, please also refer to the instructions in the Accessories ETKA (Z-ETKA).

A8, type 4E

Rim	Offset (mm)	Tyre size	Winter	Summer	Snow chains	Footnote
8 J x 17	43	235/55 R 17 99 Y		x	-	5)
8 J x 18	43	235/50 R 18 101 Y XL		x	-	5)
8.5 J x 18	45	255/45 R 18 99 Y		x	-	5)
8.5 J x 19	42	255/40 R 19 100 Y XL		x	-	
8.5 J x 19	45	255/40 R 19 100 Y XL		x	-	
9 J x 19	41	255/40 R 19 100 Y XL		x	-	

Rim	Offset (mm)	Tyre size	Winter	Summer	Snow chains	Footnote
9 J x 19	44	255/40 R 19 100 Y XL		x	-	
8.5 J x 20	45	255/35 R 20 97 Y		x	-	
9 J x 20	46	275/35 R 20 102 Y XL		x	-	
235 x 500 A	41	245/960 R 500 A 99 Y		x	-	6)
7.5 J x 17	40	235/55 R 17 99 H	x		front	5)
7.5 J x 18	40	235/50 R 18 101 H XL	x		front	5)
235 x 500 A	41	235/690 R 500 A 102 H XL	x		front	6)

XL = Extra load, reinforced

5) Not permissible with ceramic brakes (PR 1LW / 1LU)

6) Only permissible with factory-fitted Tyre Pressure Monitoring System/Tyre Pressure Loss Indicator

⇒ ["1 Audi A8, type 4E", page 1](#)

⇒ ["2 Rims - A8, type 4E", page 37](#)

1.2 Audi A8, type 4E (model years 2004 to 2005)

⇒ ["1.2.1 3.0 ltr. engine - 162 kW", page 4](#)

⇒ ["1.2.2 3.0 ltr. TDI engine - 155/171 kW", page 5](#)

⇒ ["1.2.3 3.7 ltr. engine - 206 kW", page 6](#)

⇒ ["1.2.4 4.2 ltr. engine - 246 kW", page 7](#)

⇒ ["1.2.5 4.0 ltr. TDI engine - 202 kW", page 8](#)

⇒ ["1.2.6 6.0 ltr. engine - 331 kW", page 8](#)

1.2.1 3.0 ltr. engine - 162 kW



Caution

It is not possible to fit the temporary spare wheel if ceramic brakes are installed.



Note

- ◆ Check the available documentation to establish whether the desired rim size or wheel size is permissible for the vehicle in question.
- ◆ When fitting wheels from Audi Genuine Accessories, please also refer to the instructions in the Accessories ETKA (Z-ETKA).

A8, type 4E

Rim	Offset (mm)	Tyre size	Winter	Summer	Snow chains	Footnote
7.5 J x 16	40	235/60 R 16 100 W		x	front	8)
8 J x 17	43	235/55 R 17 99 Y		x	-	8)
8 J x 18	43	235/50 R 18 101 Y XL		x	-	8)
8.5 J x 18	45	255/45 R 18 9 Y		x	-	8)

Rim	Offset (mm)	Tyre size	Winter	Summer	Snow chains	Footnote
8.5 J x 19	42	255/40 R 19 100 Y XL		x	-	
8.5 J x 19	45	255/40 R 19 100 Y XL		x	-	
9 J x 19	41	255/40 R 19 100 Y XL		x	-	
9 J x 19	44	225/40 R 19 100 Y XL		x	-	
8.5 J x 20	45	255/35 R 20 97 Y		x	-	
9 J x 20	46	275/35 R 20 102 Y XL		x	-	
235 x 500 A	41	245/690 R 500 A 99 Y		x	-	7)
7.5 J x 16	40	235/60 R 16 100 H	x		front	8)
7.5 J x 17	40	235/55 R 17 99 H	x		front	8)
7.5 J x 18	40	235/50 R 18 101 H XL	x		front	8)
235 x 500 A	41	235/690 R 500 A 102 H XL	x		front	7)

XL = Extra load, reinforced


7) Only permissible with factory-fitted Tyre Pressure Monitoring System/Tyre Pressure Loss Indicator

8) Not permissible with ceramic brakes (PR 1LW / 1KU)

⇒ ["1 Audi A8, type 4E", page 1](#)

⇒ ["2 Rims - A8, type 4E", page 37](#)

1.2.2 3.0 ltr. TDI engine - 155/171 kW

 **Caution**
It is not possible to fit the temporary spare wheel if ceramic brakes are installed.

Note

- ◆ Check the available documentation to establish whether the desired rim size or wheel size is permissible for the vehicle in question.
- ◆ When fitting wheels from Audi Genuine Accessories, please also refer to the instructions in the Accessories ETKA (Z-ETKA).

A8, type 4E

Rim	Offset (mm)	Tyre size	Winter	Summer	Snow chains	Footnote
7.5 J x 16	40	235/60 R 16 100 W		x	front	10)
8 J x 17	43	235/55 R 17 99 Y		x	-	10)
8 J x 18	43	235/50 R 18 101 Y XL		x	-	10)
8.5 J x 18	45	255/45 R 18 9 Y		x	-	10)
8.5 J x 19	42	255/40 R 19 100 Y XL		x	-	
8.5 J x 19	45	255/40 R 19 100 Y XL		x	-	
9 J x 19	41	255/40 R 19 100 Y XL		x	-	
9 J x 19	44	225/40 R 19 100 Y XL		x	-	
8.5 J x 20	45	255/35 R 20 97 Y		x	-	

Rim	Offset (mm)	Tyre size	Winter	Summer	Snow chains	Footnote
9 J x 20	46	275/35 R 20 102 Y XL		x	-	
235 x 500 A	41	245/690 R 500 A 99 Y		x	-	9)
7.5 J x 16	40	235/60 R 16 100 H	x		front	10)
7.5 J x 17	40	235/55 R 17 99 H	x		front	10)
7.5 J x 18	40	235/50 R 18 101 H XL	x		front	10)
235 x 500 A	41	235/690 R 500 A 102 H XL	x		front	9)

XL = Extra load, reinforced

9) Only permissible with factory-fitted Tyre Pressure Monitoring System/Tyre Pressure Loss Indicator

10) Not permissible with ceramic brakes (PR 1LW / 1KU)

⇒ "1 Audi A8, type 4E", page 1

⇒ "2 Rims - A8, type 4E", page 37

1.2.3 3.7 ltr. engine - 206 kW



Caution

It is not possible to fit the temporary spare wheel if ceramic brakes are installed.



Note

- ◆ Check the available documentation to establish whether the desired rim size or wheel size is permissible for the vehicle in question.
- ◆ When fitting wheels from Audi Genuine Accessories, please also refer to the instructions in the Accessories ETKA (Z-ETKA).

A8, type 4E

Rim	Offset (mm)	Tyre size	Winter	Summer	Snow chains	Footnote
8 J x 17	43	235/55 R 17 99 Y		x	-	12)
8 J x 18	43	235/50 R 18 101 Y XL		x	-	12)
8.5 J x 18	45	255/45 R 18 99 Y		x	-	12)
8.5 J x 19	42	255/40 R 19 100 Y XL		x	-	
8.5 J x 19	45	255/40 R 19 100 Y XL		x	-	
9 J x 19	41	255/40 R 19 100 Y XL		x	-	
9 J x 19	44	255/40 R 19 100 Y XL		x	-	
8.5 J x 20	45	255/35 R 20 97 Y		x	-	
9 J x 20	46	275/35 R 20 102 Y XL		x	-	
235 x 500 A	41	245/690 R 500 A 99 Y		x	-	11)
7.5 J x 17	40	235/55 R 17 99 H	x		front	12)
7.5 J x 18	40	235/50 R 18 101 H XL	x		front	12)
235 x 500 A	41	235/690 R 500 A 102 H XL	x		front	11)


XL = Extra load, reinforced

- 11) Only permissible with factory-fitted Tyre Pressure Monitoring System/Tyre Pressure Loss Indicator
- 12) Not permissible with ceramic brakes (PR 1LW / 1KU)

⇒ ["1 Audi A8, type 4E", page 1](#)

⇒ ["2 Rims - A8, type 4E", page 37](#)

1.2.4 4.2 ltr. engine - 246 kW

 **Caution**
It is not possible to fit the temporary spare wheel if ceramic brakes are installed.

Note

- ◆ Check the available documentation to establish whether the desired rim size or wheel size is permissible for the vehicle in question.
- ◆ When fitting wheels from Audi Genuine Accessories, please also refer to the instructions in the Accessories ETKA (Z-ETKA).

A8, type 4E

Rim	Offset (mm)	Tyre size	Winter	Summer	Snow chains	Footnote
8 J x 17	43	235/55 R 17 99 Y		x	-	14)
8 J x 18	43	235/50 R 18 101 Y XL		x	-	14)
8.5 J x 18	45	255/45 R 18 99 Y		x	-	14)
8.5 J x 19	42	255/40 R 19 100 Y XL		x	-	
8.5 J x 19	45	255/40 R 19 100 Y XL		x	-	
9 J x 19	41	255/40 R 19 100 Y XL		x	-	
9 J x 19	44	255/40 R 19 100 Y XL		x	-	
8.5 J x 20	45	255/35 R 20 97 Y		x	-	
9 J x 20	46	275/35 R 20 102 Y XL		x	-	
235 x 500 A	41	245/690 R 500 A 99 Y		x	-	13)
7.5 J x 17	40	235/55 R 17 99 H	x		front	14)
7.5 J x 18	40	235/50 R 18 101 H XL	x		front	14)
235 x 500 A	41	235/690 R 500 A 102 H XL	x		front	13)

XL = Extra load, reinforced

- 13) Only permissible with factory-fitted Tyre Pressure Monitoring System/Tyre Pressure Loss Indicator
- 14) Not permissible with ceramic brakes (PR 1LW / 1KU)

⇒ ["1 Audi A8, type 4E", page 1](#)

⇒ ["2 Rims - A8, type 4E", page 37](#)

1.2.5 4.0 ltr. TDI engine - 202 kW



Caution

It is not possible to fit the temporary spare wheel if ceramic brakes are installed.



Note

- ◆ Check the available documentation to establish whether the desired rim size or wheel size is permissible for the vehicle in question.
- ◆ When fitting wheels from Audi Genuine Accessories, please also refer to the instructions in the Accessories ETKA (Z-ETKA).

Protected by copyright. Copying for private or commercial purposes, in part or in whole, is not permitted unless authorised by AUDI AG. AUDI AG does not guarantee or accept any liability with respect to the correctness of information in this document. Copyright by AUDI AG.

A8, type 4E

Rim	Offset (mm)	Tyre size	Winter	Summer	Snow chains	Footnote
8 J x 17	43	235/55 R 17 99 Y		x	-	16)
8 J x 18	43	235/50 R 18 101 Y XL		x	-	16)
8.5 J x 18	45	255/45 R 18 99 Y		x	-	16)
8.5 J x 19	42	255/40 R 19 100 Y XL		x	-	
8.5 J x 19	45	255/40 R 19 100 Y XL		x	-	
9 J x 19	41	255/40 R 19 100 Y XL		x	-	
9 J x 19	44	255/40 R 19 100 Y XL		x	-	
8.5 J x 20	45	225/35 R 20 97 Y		x	-	
9 J x 20	46	275/35 R 20 102 Y XL		x	-	
235 x 500 A	41	245/690 R 500 A 99 Y		x	-	15)
7.5 J x 17	40	235/55 R 17 99 H	x		front	16)
7.5 J x 18	40	235/50 R 18 101 H XL	x		front	16)
235 x 500 A	41	235/690 R 500 A 102 H XL	x		front	15)

XL = Extra load, reinforced

15) Only permissible with factory-fitted Tyre Pressure Monitoring System/Tyre Pressure Loss Indicator

16) Not permissible with ceramic brakes (PR 1LW / 1KU)

⇒ ["1 Audi A8, type 4E", page 1](#)

⇒ ["2 Rims - A8, type 4E", page 37](#)

1.2.6 6.0 ltr. engine - 331 kW



Caution

It is not possible to fit the temporary spare wheel if ceramic brakes are installed.

 **Note**

- ◆ *Check the available documentation to establish whether the desired rim size or wheel size is permissible for the vehicle in question.*
- ◆ *When fitting wheels from Audi Genuine Accessories, please also refer to the instructions in the Accessories ETKA (Z-ETKA).*

A8, type 4E

Rim	Offset (mm)	Tyre size	Winter	Summer	Snow chains	Footnote
8.5 J x 18	45	255/45 R 18 99 Y		x	-	18)
8.5 J x 19	42	255/40 R 19 100 Y XL		x	-	
8.5 J x 19	45	255/40 R 19 100 Y XL		x	-	
9 J x 19	41	255/40 R 19 100 Y XL		x	-	
9 J x 19	44	255/40 R 19 100 Y XL		x	-	
9 J x 20	46	275/35 R 20 102 Y XL		x	-	
235 x 500 A	41	245/690 R 500 A 99 Y		x	-	17)
7.5 J x 18	40	235/50 R 18 101 H XL	x		front	18)
8 J x 19	40	235/45 R 19 99 H XL	x		front	
235 x 500 A	41	235/690 R 500 A 102 H XL	x		front	17)

XL = Extra load, reinforced

Protected by copyright. Copying for private or commercial purposes, in part or in whole, is not permitted unless authorised by AUDI AG. AUDI AG does not guarantee or accept any liability with respect to the correctness of information in this document. Copyright by AUDI AG.

17) Only permissible with factory-fitted Tyre Pressure Monitoring System/Tyre Pressure Loss Indicator

18) Not permissible with ceramic brakes (PR 1LW / 1KU)

⇒ ["1 Audi A8, type 4E", page 1](#)

⇒ ["2 Rims - A8, type 4E", page 37](#)

1.3 Audi A8, type 4E (model year 2006)

⇒ ["1.3.1 3.0 ltr. engine - 162 kW", page 9](#)

⇒ ["1.3.2 3.0 ltr. TDI engine - 155/171 kW", page 10](#)

⇒ ["1.3.3 3.2 ltr. engine - 191 kW", page 11](#)

⇒ ["1.3.4 3.7 ltr. engine - 206 kW", page 12](#)

⇒ ["1.3.5 4.2 ltr. engine - 246 kW", page 13](#)

⇒ ["1.3.6 4.0 ltr. TDI engine - 202 kW", page 14](#)

⇒ ["1.3.7 4.2 ltr. TDI engine - 240 kW", page 15](#)

⇒ ["1.3.8 6.0 ltr. engine - 331 kW", page 16](#)

1.3.1 3.0 ltr. engine - 162 kW



Caution

It is not possible to fit the temporary spare wheel if ceramic brakes are installed.

 **Note**

- ◆ *Check the available documentation to establish whether the desired rim size or wheel size is permissible for the vehicle in question.*
- ◆ *When fitting wheels from Audi Genuine Accessories, please also refer to the instructions in the Accessories ETKA (Z-ETKA).*

A8, type 4E

Rim	Offset (mm)	Tyre size	Winter	Summer	Snow chains	Footnote
7.5 J x 16	40	235/60 R 16 100 W		x	front	20)
8 J x 17	43	235/55 R 17 99 Y		x	-	20)
8 J x 18	43	235/50 R 18 101 Y XL		x	-	20)
8.5 J x 18	45	255/45 R 18 99 Y		x	-	20)
8.5 J x 19	42	255/40 R 19 100 Y XL		x	-	
8.5 J x 19	45	255/40 R 19 100 Y XL		x	-	
9 J x 19	41	255/40 R 19 100 Y XL		x	-	
9 J x 19	44	255/40 R 19 100 Y XL		x	-	
8.5 J x 20	45	255/35 R 20 97 Y		x	-	
9 J x 20	46	275/35 R 20 102 Y XL		x	-	
235 x 500 A	41	245/690 R 500 A 99 Y		x	-	19)
7.5 J x 16	40	235/60 R 16 100 H	x		front	20)
7.5 J x 17	40	235/55 R 17 99 H	x		front	20)
7.5 J x 18	40	235/50 R 18 101 H XL	x		front	20)
235 x 500 A	41	235/690 R 500 A 102 H XL	x		front	19)

XL = Extra load, reinforced


19) Only permissible with factory-fitted Tyre Pressure Monitoring System/Tyre Pressure Loss Indicator

20) Not permissible with ceramic brakes (PR 1LW / 1KU)

⇒ ["1 Audi A8, type 4E", page 1](#)

⇒ ["2 Rims - A8, type 4E", page 37](#)

1.3.2 3.0 ltr. TDI engine - 155/171 kW

	<p>Caution</p> <p><i>It is not possible to fit the temporary spare wheel if ceramic brakes are installed.</i></p>
---	--

 **Note**

- ◆ *Check the available documentation to establish whether the desired rim size or wheel size is permissible for the vehicle in question.*
- ◆ *When fitting wheels from Audi Genuine Accessories, please also refer to the instructions in the Accessories ETKA (Z-ETKA).*

A8, type 4E

Rim	Offset (mm)	Tyre size	Winter	Summer	Snow chains	Footnote
7.5 J x 16	40	235/60 R 16 100 W		x	front	22)
8 J x 17	43	235/55 R 17 99 Y		x	-	22)
8 J x 18	43	235/50 R 18 101 Y XL		x	-	22)
8.5 J x 18	45	255/45 R 18 99 Y		x	-	22)
8.5 J x 19	42	255/40 R 19 100 Y XL		x	-	
8.5 J x 19	45	255/40 R 19 100 Y XL		x	-	
9 J x 19	41	255/40 R 19 100 Y XL		x	-	
9 J x 19	44	255/40 R 19 100 Y XL		x	-	
8.5 J x 20	45	255/35 R 20 97 Y		x	-	
9 J x 20	46	275/35 R 20 102 Y XL		x	-	
235 x 500 A	41	245/690 R 500 A 99 Y		x	-	21)
7.5 J x 16	40	235/60 R 16 100 H	x		front	22)
7.5 J x 17	40	235/55 R 17 99 H	x		front	22)
7.5 J x 18	40	235/50 R 18 101 H XL	x		front	22)
235 x 500 A	41	235/690 R 500 A 102 H XL	x		front	21)

XL = Extra load, reinforced


21) Only permissible with factory-fitted Tyre Pressure Monitoring System/Tyre Pressure Loss Indicator

22) Not permissible with ceramic brakes (PR 1LW / 1KU)

⇒ ["1 Audi A8, type 4E", page 1](#)

⇒ ["2 Rims - A8, type 4E", page 37](#)

1.3.3 3.2 ltr. engine - 191 kW

 **Caution**

It is not possible to fit the temporary spare wheel if ceramic brakes are installed.

Protected by copyright. Copying for private or commercial purposes, in part or in whole, is not permitted unless authorised by AUDI AG. AUDI AG does not guarantee or accept any liability with respect to the correctness of information in this document. Copyright by AUDI AG.

 **Note**

- ◆ *Check the available documentation to establish whether the desired rim size or wheel size is permissible for the vehicle in question.*
- ◆ *When fitting wheels from Audi Genuine Accessories, please also refer to the instructions in the Accessories ETKA (Z-ETKA).*

A8, type 4E

Protected by copyright. Copying for private or commercial purposes, in part or in whole, is not permitted unless authorised by AUDI AG. AUDI AG does not guarantee or accept any liability with respect to the correctness of information in this document.

Rim	Offset (mm)	Tyre size	Winter	Summer	Snow chains	Footnote
8 J x 17	43	235/55 R 17 99 Y		x	-	24)
8 J x 18	43	235/50 R 18 101 Y XL		x	-	24)
8.5 J x 18	45	255/45 R 18 99 Y		x	-	24)
8.5 J x 19	42	255/40 R 19 100 Y XL		x	-	
8.5 J x 19	45	255/40 R 19 100 Y XL		x	-	
9 J x 19	41	255/40 R 19 100 Y XL		x	-	
9 J x 19	44	255/40 R 19 100 Y XL		x	-	
8.5 J x 20	45	255/35 R 20 97 Y		x	-	
9 J x 20	46	275/35 R 20 102 Y XL		x	-	
235 x 500 A	41	245/690 R 500 A 99 Y		x	-	23)
7.5 J x 17	40	235/55 R 17 99 H	x		front	24)
7.5 J x 18	40	235/50 R 18 101 H XL	x		front	24)
235 x 500 A	41	235/690 R 500 A 102 H XL	x		front	23)


XL = Extra load, reinforced

23) Only permissible with factory-fitted Tyre Pressure Monitoring System/Tyre Pressure Loss Indicator

24) Not permissible with ceramic brakes (PR 1LW / 1KU)

⇒ ["2 Rims - A8, type 4E", page 37](#)

1.3.4 3.7 ltr. engine - 206 kW

 **Caution**

It is not possible to fit the temporary spare wheel if ceramic brakes are installed.

 **Note**

- ◆ *Check the available documentation to establish whether the desired rim size or wheel size is permissible for the vehicle in question.*
- ◆ *When fitting wheels from Audi Genuine Accessories, please also refer to the instructions in the Accessories ETKA (Z-ETKA).*

A8, type 4E

Rim	Offset (mm)	Tyre size	Winter	Summer	Snow chains	Footnote
8 J x 17	43	235/55 R 17 99 Y		x	-	26)
8 J x 18	43	235/50 R 18 101 Y XL		x	-	26)
8.5 J x 18	45	255/45 R 18 99 Y		x	-	26)
8.5 J x 19	42	255/40 R 19 100 Y XL		x	-	
8.5 J x 19	45	255/40 R 19 100 Y XL		x	-	
9 J x 19	41	255/40 R 19 100 Y XL		x	-	
9 J x 19	44	255/40 R 19 100 Y XL		x	-	
8.5 J x 20	45	255/35 R 20 97 Y		x	-	
9 J x 20	46	275/35 R 20 102 Y XL		x	-	
235 x 500 A	41	245/690 R 500 A 99 Y		x	-	25)
7.5 J x 17	40	235/55 R 17 99 H	x		front	26)
7.5 J x 18	40	235/50 R 18 101 H XL	x		front	26)
235 x 500 A	41	235/690 R 500 A 102 H XL	x		front	25)

XL = Extra load, reinforced

25) Only permissible with factory-fitted Tyre Pressure Monitoring System/Tyre Pressure Loss Indicator

26) Not permissible with ceramic brakes (PR 1LW / 1KU)

⇒ ["1 Audi A8, type 4E", page 1](#)

⇒ ["2 Rims - A8, type 4E", page 37](#)

1.3.5 4.2 ltr. engine - 246 kW

 **Caution**
Protected by copyright. Copying for private or commercial purposes, in part or in whole, is not permitted unless authorised by AUDI AG. AUDI AG does not guarantee or accept any liability with respect to the correctness of information in this document. Copyright by AUDI AG.
It is not possible to fit the temporary spare wheel if ceramic brakes are installed.

 **Note**

- ◆ *Check the available documentation to establish whether the desired rim size or wheel size is permissible for the vehicle in question.*
- ◆ *When fitting wheels from Audi Genuine Accessories, please also refer to the instructions in the Accessories ETKA (Z-ETKA).*

A8, type 4E

Rim	Offset (mm)	Tyre size	Winter	Summer	Snow chains	Footnote
8 J x 17	43	235/55 R 17 99 Y		x	-	28)
8 J x 18	43	235/50 R 18 101 Y XL		x	-	28)
8.5 J x 18	45	255/45 R 18 99 Y		x	-	28)
8.5 J x 19	42	255/40 R 19 100 Y XL		x	-	
8.5 J x 19	45	255/40 R 19 100 Y XL		x	-	
9 J x 19	41	255/40 R 19 100 Y XL		x	-	

Rim	Offset (mm)	Tyre size	Winter	Summer	Snow chains	Footnote
9 J x 19	44	255/40 R 19 100 Y XL		x	-	
8.5 J x 20	45	255/35 R 20 97 Y		x	-	
9 J x 20	46	275/35 R 20 102 Y XL		x	-	
235 x 500 A	41	245/690 R 500 A 99 Y		x	-	27)
7.5 J x 17	40	235/55 R 17 99 H	x		front	28)
7.5 J x 18	40	235/50 R 18 101 H XL	x		front	28)
235 x 500 A	41	235/690 R 500 A 102 H XL	x		front	27)

XL = Extra load, reinforced

27) Only permissible with factory-fitted Tyre Pressure Monitoring System/Tyre Pressure Loss Indicator

28) Not permissible with ceramic brakes (PR 1LW / 1KU)

⇒ "1 Audi A8, type 4E", page 1

⇒ "2 Rims - A8, type 4E", page 37

Reproduction or copying for private or commercial purposes, in part or in whole, is not permitted unless authorised by AUDI AG. AUDI AG does not guarantee or accept any liability for the consequences of the use of this document. Copyright by AUDI AG.

1.3.6 4.0 ltr. TDI engine - 202 kW



Caution

It is not possible to fit the temporary spare wheel if ceramic brakes are installed.



Note

- ◆ Check the available documentation to establish whether the desired rim size or wheel size is permissible for the vehicle in question.
- ◆ When fitting wheels from Audi Genuine Accessories, please also refer to the instructions in the Accessories ETKA (Z-ETKA).

A8, type 4E

Rim	Offset (mm)	Tyre size	Winter	Summer	Snow chains	Footnote
8 J x 17	43	235/55 R 17 99 Y		x	-	30)
8 J x 18	43	235/50 R 18 101 Y XL		x	-	30)
8.5 J x 18	45	255/45 R 18 99 Y		x	-	30)
8.5 J x 19	42	255/40 R 19 100 Y XL		x	-	
8.5 J x 19	45	255/40 R 19 100 Y XL		x	-	
9 J x 19	41	255/40 R 19 100 Y XL		x	-	
9 J x 19	44	255/40 R 19 100 Y XL		x	-	
8.5 J x 20	45	255/35 R 20 97 Y		x	-	
9 J x 20	46	275/35 R 20 102 Y XL		x	-	
235 x 500 A	41	245/690 R 500 A 99 Y		x	-	29)
7.5 J x 17	40	235/55 R 17 99 H	x		front	30)
7.5 J x 18	40	235/50 R 18 101 H XL	x		front	30)

Rim	Offset (mm)	Tyre size	Winter	Summer	Snow chains	Footnote
235 x 500 A	41	235/690 R 500 A 102 H XL	x		front	29)

XL = Extra load, reinforced

29) Only permissible with factory-fitted Tyre Pressure Monitoring System/Tyre Pressure Loss Indicator

30) Not permissible with ceramic brakes (PR 1LW / 1KU)

⇒ ["1 Audi A8, type 4E", page 1](#)

⇒ ["2 Rims - A8, type 4E", page 37](#)

1.3.7 4.2 ltr. TDI engine - 240 kW

 **Caution**

It is not possible to fit the temporary spare wheel if ceramic brakes are installed.

Note

- ◆ Check the available documentation to establish whether the desired rim size or wheel size is permissible for the vehicle in question.
- ◆ When fitting wheels from Audi Genuine Accessories, please also refer to the instructions in the Accessories ETKA (Z-ETKA).

A8, type 4E

Rim	Offset (mm)	Tyre size	Winter	Summer	Snow chains	Footnote
8 J x 17	43	235/55 R 17 99 Y		x	-	32)
8 J x 18	43	235/50 R 18 101 Y XL		x	-	32)
8.5 J x 18	45	255/45 R 18 99 Y		x	-	32)
8.5 J x 19	42	255/40 R 19 100 Y XL		x	-	
8.5 J x 19	45	255/40 R 19 100 Y XL		x	-	
9 J x 19	41	255/40 R 19 100 Y XL		x	-	
9 J x 19	44	255/40 R 19 100 Y XL		x	-	
8.5 J x 20	45	255/35 R 20 97 Y		x	-	
9 J x 20	46	275/35 R 20 102 Y XL		x	-	
235 x 500 A	41	245/690 R 500 A 99 Y		x	-	31)
7.5 J x 17	40	235/55 R 17 99 H	x		front	32)
7.5 J x 18	40	235/50 R 18 101 H XL	x		front	32)
235 x 500 A	41	235/690 R 500 A 102 H XL	x		front	31)

XL = Extra load, reinforced

31) Only permissible with factory-fitted Tyre Pressure Monitoring System/Tyre Pressure Loss Indicator

32) Not permissible with ceramic brakes (PR 1LW / 1KU)

⇒ "1 Audi A8, type 4E", page 1

⇒ "2 Rims - A8, type 4E", page 37

1.3.8 6.0 ltr. engine - 331 kW



Caution

It is not possible to fit the temporary spare wheel if ceramic brakes are installed.



Note

- ◆ *Check the available documentation to establish whether the desired rim size or wheel size is permissible for the vehicle in question.*
- ◆ *When fitting wheels from Audi Genuine Accessories, please also refer to the instructions in the Accessories ETKA (Z-ETKA).*

A8, type 4E

Rim	Offset (mm)	Tyre size	Winter	Summer	Snow chains	Footnote
8.5 J x 18	45	225/45 R 18 99 Y		x	-	35)
8.5 J x 19	42	255/40 R 19 100 Y XL		x	-	
8.5 J x 19	45	255/40 R 19 100 Y XL		x	-	
9 J x 19	41	255/40 R 19 100 Y XL		x	-	
9 J x 19	44	255/40 R 19 100 Y XL		x	-	
9 J x 20	46	275/35 R 20 102 Y XL		x	-	
235 x 500 A	41	245/690 R 500 A 99 Y		x	-	34)
7.5 J x 18	40	235/50 R 18 101 H XL	x		front	35)
8 J x 19	40	235/40 R 19 99 H XL	x		front	33)
235 x 500 A	41	235/690 R 500 A 102 H XL	x		front	34)

XL = Extra load, reinforced

33) Not for TT RS

34) Only permissible with factory-fitted Tyre Pressure Monitoring System/Tyre Pressure Loss Indicator

35) Not permissible with ceramic brakes (PR 1LW / 1KU)

⇒ ["1 Audi A8, type 4E", page 1](#)

⇒ ["2 Rims - A8, type 4E", page 37](#)

1.4 Audi A8, type 4E (model year 2007)

⇒ ["1.4.1 3.0 ltr. TDI engine - 155/171 kW", page 17](#)

⇒ ["1.4.2 4.2 ltr. TDI engine - 240 kW", page 18](#)

⇒ ["1.4.3 3.2 ltr. FSI engine - 191 kW", page 19](#)

⇒ ["1.4.4 3.7 ltr. FSI engine - 206 kW", page 19](#)

⇒ ["1.4.5 4.2 ltr. FSI engine - 246/257 kW", page 20](#)

⇒ ["1.4.6 6.0 ltr. FSI engine - 331 kW", page 21](#)

1.4.1 3.0 ltr. TDI engine - 155/171 kW



Caution

It is not possible to fit the temporary spare wheel if ceramic brakes are installed.

Protected by copyright. Copying for private or commercial purposes, in part or in whole, is not permitted unless authorised by AUDI AG. AUDI AG does not guarantee or accept any liability with respect to the correctness of information in this document. Copyright by AUDI AG.



Note

- ◆ *Check the available documentation to establish whether the desired rim size or wheel size is permissible for the vehicle in question.*
- ◆ *When fitting wheels from Audi Genuine Accessories, please also refer to the instructions in the Accessories ETKA (Z-ETKA).*

A8, type 4E

Rim	Offset (mm)	Tyre size	Winter	Summer	Snow chains	Footnote
7.5 J x 16	40	235/60 R 16 100 W		x	front	37)
8 J x 17	43	235/55 R 17 99 Y		x	-	37)
8 J x 18	43	235/50 R 18 101 Y XL		x	-	37)
8.5 J x 18	45	255/45 R 18 99 Y		x	-	37)
8.5 J x 19	42	255/40 R 19 100 Y XL		x	-	
8.5 J x 19	45	255/40 R 19 100 Y XL		x	-	
9 J x 19	41	255/40 R 19 100 Y XL		x	-	
9 J x 19	44	255/40 R 19 100 Y XL		x	-	
8.5 J x 20	45	255/35 R 20 97 Y		x	-	
9 J x 20	46	275/35 R 20 102 Y XL		x	-	
235 x 500 A	41	245/690 R 500 A 99 Y		x	-	36)
7.5 J x 16	40	235/60 R 16 100 H	x		front	37)
7.5 J x 17	40	235/55 R 17 99 H	x		front	37)
7.5 J x 18	40	235/50 R 18 101 H XL	x		front	37)
235 x 500 A	41	235/690 R 500 A 102 H XL	x		front	36)

XL = Extra load, reinforced

36) Only permissible with factory-fitted Tyre Pressure Monitoring System/Tyre Pressure Loss Indicator

37) Not permissible with ceramic brakes (PR 1LW / 1KU)

⇒ "1 Audi A8, type 4E", page 1

⇒ "2 Rims - A8, type 4E", page 37

1.4.2 4.2 ltr. TDI engine - 240 kW



Caution

It is not possible to fit the temporary spare wheel if ceramic brakes are installed.



Note

- ◆ Check the available documentation to establish whether the desired rim size or wheel size is permissible for the vehicle in question.
- ◆ When fitting wheels from Audi Genuine Accessories, please also refer to the instructions in the Accessories ETKA (Z-ETKA).

A8, type 4E

Rim	Offset (mm)	Tyre size	Winter	Summer	Snow chains	Footnote
8 J x 17	43	235/55 R 17 99 Y		x	-	39)
8 J x 18	43	235/50 R 18 101 Y XL		x	-	39)
8.5 J x 18	45	255/45 R 18 99 Y		x	-	39)
8.5 J x 19	42	255/40 R 19 100 Y XL		x	-	
8.5 J x 19	45	255/40 R 19 100 Y XL		x	-	
9 J x 19	41	255/40 R 19 100 Y XL		x	-	
9 J x 19	44	255/40 R 19 100 Y XL		x	-	
8.5 J x 20	45	255/35 R 20 97 Y		x	-	
9 J x 20	46	275/35 R 20 102 Y XL		x	-	
235 x 500 A	41	245/690 R 500 A 99 Y		x	-	38)
7.5 J x 17	40	235/55 R 17 99 H	x		front	39)
7.5 J x 18	40	235/50 R 18 101 H XL	x		front	39)
235 x 500 A	41	235/690 R 500 A 102 H XL	x		front	38)

XL = Extra load, reinforced


38) Only permissible with factory-fitted Tyre Pressure Monitoring System/Tyre Pressure Loss Indicator

39) Not permissible with ceramic brakes (PR 1LW / 1KU)

⇒ ["1 Audi A8, type 4E", page 1](#)

⇒ ["2 Rims - A8, type 4E", page 37](#)

1.4.3 3.2 ltr. FSI engine - 191 kW

 **Caution**
It is not possible to fit the temporary spare wheel if ceramic brakes are installed.

Note

- ◆ Check the available documentation to establish whether the desired rim size or wheel size is permissible for the vehicle in question.
- ◆ When fitting wheels from Audi Genuine Accessories, please also refer to the instructions in the Accessories ETKA (Z-ETKA).

A8, type 4E

Rim	Offset (mm)	Tyre size	Winter	Summer	Snow chains	Footnote
8 J x 17	43	235/55 R 17 99 Y		x	-	41)
8 J x 18	43	235/50 R 18 101 Y XL		x	-	41)
8.5 J x 18	45	255/45 R 18 99 Y		x	-	41)
8.5 J x 19	42	255/40 R 19 100 Y XL		x	-	
8.5 J x 19	45	255/40 R 19 100 Y XL		x	-	
9 J x 19	41	255/40 R 19 100 Y XL		x	-	
9 J x 19	44	255/40 R 19 100 Y XL		x	-	
8.5 J x 20	45	255/35 R 20 97 Y XL		x	-	
9 J x 20	46	275/35 R 20 102 Y XL		x	-	
235 x 500 A	41	245/690 R 500 A 99 Y		x	-	40)
7.5 J x 17	40	235/55 R 17 99 H	x		front	41)
7.5 J x 18	40	235/50 R 18 101 H XL	x		front	41)
235 x 500 A	41	235/690 R 500 A 102 H XL	x		front	40)

XL = Extra load, reinforced


40) Only permissible with factory-fitted Tyre Pressure Monitoring System/Tyre Pressure Loss Indicator

41) Not permissible with ceramic brakes (PR 1LW / 1KU)

⇒ ["1 Audi A8, type 4E", page 1](#)

⇒ ["2 Rims - A8, type 4E", page 37](#)

1.4.4 3.7 ltr. FSI engine - 206 kW

 **Caution**
It is not possible to fit the temporary spare wheel if ceramic brakes are installed.

 **Note**

- ◆ Check the available documentation to establish whether the desired rim size or wheel size is permissible for the vehicle in question.
- ◆ When fitting wheels from Audi Genuine Accessories, please also refer to the instructions in the Accessories ETKA (Z-ETKA).

A8, type 4E

Rim	Offset (mm)	Tyre size	Winter	Summer	Snow chains	Footnote
8 J x 17	43	235/55 R 17 99 Y		x	-	43)
8 J x 18	43	235/50 R 18 101 Y XL		x	-	43)
8.5 J x 18	45	255/45 R 18 99 Y		x	-	43)
8.5 J x 19	42	255/40 R 19 100 Y XL		x	-	
8.5 J x 19	45	255/40 R 19 100 Y XL		x	-	
9 J x 19	41	255/40 R 19 100 Y XL		x	-	
9 J x 19	44	255/40 R 19 100 Y XL		x	-	
8.5 J x 20	45	255/35 R 20 97 Y		x	-	
9 J x 20	46	275/35 R 20 102 Y XL		x	-	
235 x 500 A	41	245/690 R 500 A 99 Y		x	-	42)
7.5 J x 17	40	235/55 R 17 99 H	x		front	43)
7.5 J x 18	40	235/50 R 18 101 H XL	x		front	43)
235 x 500 A	41	235/690 R 500 A 102 H XL	x		front	42)

XL = Extra load, reinforced

42) Only permissible with factory-fitted Tyre Pressure Monitoring System/Tyre Pressure Loss Indicator


43) Not permissible with ceramic brakes (PR 1LW / 1KU)

⇒ ["1 Audi A8, type 4E", page 1](#)

⇒ ["2 Rims - A8, type 4E", page 37](#)

1.4.5 4.2 ltr. FSI engine 246/257 kW

Reproduction, copying for private or commercial purposes, in part or in whole, is not permitted unless authorised by AUDI AG. AUDI AG does not guarantee or accept any liability with respect to the correctness of information in this document. Copyright by AUDI AG.

 **Caution**

It is not possible to fit the temporary spare wheel if ceramic brakes are installed.

 **Note**

- ◆ Check the available documentation to establish whether the desired rim size or wheel size is permissible for the vehicle in question.
- ◆ When fitting wheels from Audi Genuine Accessories, please also refer to the instructions in the Accessories ETKA (Z-ETKA).

A8, type 4E

Rim	Offset (mm)	Tyre size	Winter	Summer	Snow chains	Footnote
8 J x 17	43	235/55 R 17 99 Y		x	-	45)
8 J x 18	43	235/50 R 18 101 Y XL		x	-	45)
8.5 J x 18	45	255/45 R 18 99 Y		x	-	45)
8.5 J x 19	42	255/40 R 19 100 Y XL		x	-	
8.5 J x 19	45	255/40 R 19 100 Y XL		x	-	
9 J x 19	41	255/40 R 19 100 Y XL		x	-	
9 J x 19	44	255/40 R 19 100 Y XL		x	-	
8.5 J x 20	45	255/35 R 20 97 Y		x	-	
9 J x 20	46	275/35 R 20 102 Y XL		x	-	
235 x 500 A	41	245/690 R 500 A 99 Y		x	-	44)
7.5 J x 17	40	235/55 R 17 99 H	x		front	45)
7.5 J x 18	40	235/50 R 18 101 H XL	x		front	45)
235 x 500 A	41	235/690 R 500 A 102 H XL	x		front	44)

XL = Extra load, reinforced


44) Only permissible with factory-fitted Tyre Pressure Monitoring System/Tyre Pressure Loss Indicator

45) Not permissible with ceramic brakes (PR 1LW / 1KU)

⇒ ["1 Audi A8, type 4E", page 1](#)

⇒ ["2 Rims - A8, type 4E", page 37](#)

1.4.6 6.0 ltr. FSI engine - 331 kW

 **Caution**
It is not possible to fit the temporary spare wheel if ceramic brakes are installed.

Note

- ◆ Check the available documentation to establish whether the desired rim size or wheel size is permissible for the vehicle in question.
- ◆ When fitting wheels from Audi Genuine Accessories, please also refer to the instructions in the Accessories ETKA (Z-ETKA).

Protected by copyright. Copying for private or commercial purposes, in part or in whole, is not permitted unless authorised by AUDI AG. AUDI AG does not guarantee or accept any liability with respect to the correctness of information in this document. Copyright by AUDI AG.

A8, type 4E

Rim	Offset (mm)	Tyre size	Winter	Summer	Snow chains	Footnote
8.5 J x 18	45	225/45 R 18 99 Y		x	-	48)
8.5 J x 19	42	255/40 R 19 100 Y XL		x	-	
8.5 J x 19	45	255/40 R 19 100 Y XL		x	-	
9 J x 19	41	255/40 R 19 100 Y XL		x	-	
9 J x 19	44	255/40 R 19 100 Y XL		x	-	
9 J x 20	46	275/35 R 20 102 Y XL		x	-	

Rim	Offset (mm)	Tyre size	Winter	Summer	Snow chains	Footnote
235 x 500 A	41	245/690 R 500 A 99 Y		x	-	47)
7.5 J x 18	40	235/50 R 18 101 H XL	x		front	48)
8 J x 19	40	235/40 R 19 99 H XL	x		front	46)
235 x 500 A	41	235/690 R 500 A 102 H XL	x		front	47)

XL = Extra load, reinforced

46) Not for TT RS

47) Only permissible with factory-fitted Tyre Pressure Monitoring System/Tyre Pressure Loss Indicator

48) Not permissible with ceramic brakes (PR 1LW / 1KU)

⇒ ["1 Audi A8, type 4E", page 1](#)

⇒ ["2 Rims - A8, type 4E", page 37](#)

1.5 Audi A8, type 4E (model years 2008 to 2009)

⇒ ["1.5.1 2.8 ltr. FSI engine - 154 kW", page 22](#)

⇒ ["1.5.2 3.0 ltr. TDI engine - 155/171 kW", page 23](#)

⇒ ["1.5.3 3.2 ltr. FSI engine - 191 kW", page 24](#)

⇒ ["1.5.4 3.7 ltr. engine - 206 kW", page 25](#)

⇒ ["1.5.5 4.2 ltr. engine - 246/257 kW", page 26](#)

⇒ ["1.5.6 4.2 ltr. TDI engine - 240 kW", page 27](#)

⇒ ["1.5.7 6.0 ltr. engine - 331 kW", page 28](#)

1.5.1 2.8 ltr. FSI engine - 154 kW



Caution

It is not possible to fit the temporary spare wheel if ceramic brakes are installed.



Note

- ◆ Check the available documentation to establish whether the desired rim size or wheel size is permissible for the vehicle in question.
- ◆ When fitting wheels from Audi Genuine Accessories, please also refer to the instructions in the Accessories ETKA (Z-ETKA).

A8, type 4E

Protected by copyright. Copying for private or commercial purposes, in part or in whole, is not permitted unless authorised by AUDI AG. AUDI AG does not guarantee or accept any liability with respect to the correctness of information in this document. Copyright by AUDI AG.

Rim	Offset (mm)	Tyre size	Winter	Summer	Snow chains	Footnote
8 J x 17	43	235/55 R 17 99 W		x	-	50)
8 J x 18	43	235/50 R 18 101 W XL		x	-	50)
8.5 J x 18	45	255/45 R 18 99 W		x	-	50)
8.5 J x 19	42	255/40 R 19 100 Y XL		x	-	

Rim	Offset (mm)	Tyre size	Winter	Summer	Snow chains	Footnote
8.5 J x 19	45	255/40 R 19 96 W		x	-	
9 J x 19	41	255/40 R 19 96 W		x	-	
9 J x 19	44	255/40 R 19 96 W		x	-	
8.5 J x 20	45	225/35 R 20 97 Y		x	-	
9 J x 20	46	275/35 R 20 102 Y XL		x	-	
235 x 500 A	41	245/690 R 500 A 99 Y		x	-	49)
7.5 J x 17	40	235/55 R 17 99 H	x		front	50)
7.5 J x 18	40	235/50 R 18 97 H	x		front	50)
8 J x 19	40	235/45 R 19 95 H	x		front	
8.5 J x 19	42	255/40 R 19 96 H	x		-	
235 x 500 A	41	235/690 R 500 A 102 H XL	x		front	49)

XL = Extra load, reinforced


49) Only permissible with factory-fitted Tyre Pressure Monitoring System/Tyre Pressure Loss Indicator

50) Not permissible with ceramic brakes (PR 1LW / 1KU)

⇒ ["1 Audi A8, type 4E", page 1](#)

⇒ ["2 Rims - A8, type 4E", page 37](#)

1.5.2 3.0 ltr. TDI engine - 155/171 kW

 **Caution**
It is not possible to fit the temporary spare wheel if ceramic brakes are installed.

Note

- ◆ Check the available documentation to establish whether the desired rim size or wheel size is permissible for the vehicle in question.
- ◆ When fitting wheels from Audi Genuine Accessories, please also refer to the instructions in the Accessories ETKA (Z-ETKA).

A8, type 4E

Protected by copyright. Copying for private or commercial purposes, in part or in whole, is not permitted unless authorised by AUDI AG. AUDI AG does not guarantee or accept any liability with respect to the correctness of information in this document. Copyright by AUDI AG.

Rim	Offset (mm)	Tyre size	Winter	Summer	Snow chains	Footnote
7.5 J x 16	40	235/60 R 16 100 W		x	front	52)
8 J x 17	43	235/55 R 17 99 Y		x	-	52)
8 J x 18	43	235/50 R 18 101 Y XL		x	-	52)
8.5 J x 18	45	255/45 R 18 99 Y		x	-	52)
8.5 J x 19	42	255/40 R 19 100 Y XL		x	-	
8.5 J x 19	45	255/40 R 19 100 Y XL		x	-	
9 J x 19	41	255/40 R 19 100 Y XL		x	-	
9 J x 19	44	255/40 R 19 100 Y XL		x	-	
9 J x 20	46	275/35 R 20 102 Y XL		x	-	

Rim	Offset (mm)	Tyre size	Winter	Summer	Snow chains	Footnote
235 x 500 A	41	245/690 R 500 A 99 Y		x	-	51)
7.5 J x 17	40	235/55 R 17 99 H	x		front	52)
7.5 J x 18	40	235/50 R 18 101 H XL	x		front	52)
8 J x 19	40	235/45 R 19 99 H XL	x		front	
8.5 J x 19	42	255/40 R 19 100 H XL	x		-	
235 x 500 A	41	235/690 R 500 A 102 H XL	x		front	51)

XL = Extra load, reinforced

51) Only permissible with factory-fitted Tyre Pressure Monitoring System/Tyre Pressure Loss Indicator

52) Not permissible with ceramic brakes (PR 1LW / 1KU)

Protected by copyright. Copying for private or commercial purposes, in part or in whole, is not permitted unless authorised by AUDI AG. AUDI AG does not guarantee or accept any liability with respect to the correctness of information in this document. Copyright by AUDI AG.

⇒ "1 Audi A8, type 4E", page 1

⇒ "2 Rims - A8, type 4E", page 37

1.5.3 3.2 ltr. FSI engine - 191 kW



Caution

It is not possible to fit the temporary spare wheel if ceramic brakes are installed.



Note

- ◆ Check the available documentation to establish whether the desired rim size or wheel size is permissible for the vehicle in question.
- ◆ When fitting wheels from Audi Genuine Accessories, please also refer to the instructions in the Accessories ETKA (Z-ETKA).

A8, type 4E

Rim	Offset (mm)	Tyre size	Winter	Summer	Snow chains	Footnote
8 J x 17	43	235/55 R 17 99 Y		x	front	54)
8 J x 18	43	235/50 R 18 101 Y XL		x	-	54)
8.5 J x 18	45	255/45 R 18 99 Y		x	-	54)
8.5 J x 19	42	255/40 R 19 100 Y XL		x	-	
8.5 J x 19	45	255/40 R 19 100 Y XL		x	-	
9 J x 19	41	255/40 R 19 100 Y XL		x	-	
9 J x 19	44	255/40 R 19 100 Y XL		x	-	
8.5 J x 20	45	225/35 R 20 97 Y		x	-	
9 J x 20	46	275/35 R 20 102 Y XL		x	-	
235 x 500 A	41	245/690 R 500 A 99 Y		x	-	53)
7.5 J x 17	40	235/55 R 17 99 H	x		front	54)
7.5 J x 18	40	235/50 R 18 101 H XL	x		front	54)
8 J x 19	40	235/45 R 19 99 H XL	x		front	
8.5 J x 19	42	255/40 R 19 100 H XL	x		-	

Rim	Offset (mm)	Tyre size	Winter	Summer	Snow chains	Footnote
235 x 500 A	41	235/690 R 500 A 102 H XL	x		front	53)

XL = Extra load, reinforced


53) Only permissible with factory-fitted Tyre Pressure Monitoring System/Tyre Pressure Loss Indicator

54) Not permissible with ceramic brakes (PR 1LW / 1KU)

⇒ ["1 Audi A8, type 4E", page 1](#)

⇒ ["2 Rims - A8, type 4E", page 37](#)

1.5.4 3.7 ltr. engine - 206 kW

 **Caution**
It is not possible to fit the temporary spare wheel if ceramic brakes are installed.

Note

- ◆ Check the available documentation to establish whether the desired rim size or wheel size is permissible for the vehicle in question.
- ◆ When fitting wheels from Audi Genuine Accessories, please also refer to the instructions in the Accessories ETKA (Z-ETKA).

A8, type 4E

Rim	Offset (mm)	Tyre size	Winter	Summer	Snow chains	Footnote
8 J x 17	43	235/55 R 17 99 Y		x	-	56)
8 J x 18	43	235/50 R 18 101 Y XL		x	-	56)
8.5 J x 18	45	255/45 R 18 99 Y		x	-	56)
8.5 J x 19	42	255/40 R 19 100 Y XL		x	-	
8.5 J x 19	45	255/40 R 19 100 Y XL		x	-	
9 J x 19	41	255/40 R 19 100 Y XL		x	-	
9 J x 19	44	255/40 R 19 100 Y XL		x	-	
8.5 J x 20	45	255/35 R 20 97 Y		x	-	
9 J x 20	46	275/35 R 20 102 Y XL		x	-	
235 x 500 A	41	245/690 R 500 A 99 Y		x	-	55)
7.5 J x 17	40	235/55 R 17 99 H	x		front	56)
7.5 J x 18	40	235/50 R 18 101 H XL	x		front	56)
8 J x 19	40	235/45 R 19 99 H XL	x		front	
8.5 J x 19	42	255/40 R 19 100 H XL	x			
235 x 500 A	41	235/690 R 500 A 102 H XL	x		front	55)

XL = Extra load, reinforced

55) Only permissible with factory-fitted Tyre Pressure Monitoring System/Tyre Pressure Loss Indicator

56) Not permissible with ceramic brakes (PR 1LW / 1KU)

⇒ "1 Audi A8, type 4E", page 1

⇒ "2 Rims - A8, type 4E", page 37

1.5.5 4.2 ltr. engine - 246/257 kW



Caution

It is not possible to fit the temporary spare wheel if ceramic brakes are installed.



Note

- ◆ Check the available documentation to establish whether the desired rim size or wheel size is permissible for the vehicle in question.
- ◆ When fitting wheels from Audi Genuine Accessories, please also refer to the instructions in the Accessories ETKA (Z-ETKA).

A8, type 4E

Rim	Offset (mm)	Tyre size	Winter	Summer	Snow chains	Footnote
8 J x 17	43	235/55 R 17 99 Y		x	-	58)
8 J x 18	43	235/50 R 18 101 Y XL		x	-	58)
8.5 J x 18	45	255/45 R 18 99 Y		x	-	58)
8.5 J x 19	42	255/40 R 19 100 Y XL		x	-	58)
8.5 J x 19	45	255/40 R 19 100 Y XL		x	-	58)
9 J x 19	41	255/40 R 19 100 Y XL		x	-	
9 J x 19	44	255/40 R 19 100 Y XL		x	-	
8.5 J x 20	45	255/35 R 20 97 Y		x	-	
9 J x 20	46	275/35 R 20 102 Y XL		x	-	
235 x 500 A	41	245/690 R 500 A 99 Y		x	-	57)
7.5 J x 17	40	235/55 R 17 99 H	x		front	58)
7.5 J x 18	40	235/50 R 18 101 H XL	x		front	58)
8 J x 19	40	235/45 R 19 99 H XL	x		front	
8.5 J x 19	42	255/40 R 19 100 H XL	x			
235 x 500 A	41	235/690 R 500 A 102 H XL	x		front	57)

XL = Extra load, reinforced


57) Only permissible with factory-fitted Tyre Pressure Monitoring System/Tyre Pressure Loss Indicator

58) Not permissible with ceramic brakes (PR 1LW / 1KU)

⇒ "1 Audi A8, type 4E", page 1

⇒ "2 Rims - A8, type 4E", page 37

1.5.6 4.2 ltr. TDI engine - 240 kW

 **Caution**
It is not possible to fit the temporary spare wheel if ceramic brakes are installed.

Note

- ◆ Check the available documentation to establish whether the desired rim size or wheel size is permissible for the vehicle in question.
- ◆ When fitting wheels from Audi Genuine Accessories, please also refer to the instructions in the Accessories ETKA (Z-ETKA).

A8, type 4E

Rim	Offset (mm)	Tyre size	Winter	Summer	Snow chains	Footnote
8 J x 17	43	235/55 R 17 99 Y		x	-	60)
8 J x 18	43	235/50 R 18 101 Y XL		x	-	60)
8.5 J x 18	45	255/45 R 18 99 Y		x	-	60)
8.5 J x 19	42	255/40 R 19 100 Y XL		x	-	
8.5 J x 19	45	255/40 R 19 100 Y XL		x	-	
9 J x 19	41	255/40 R 19 100 Y XL		x	-	
9 J x 19	44	255/40 R 19 100 Y XL		x	-	
8.5 J x 20	45	255/35 R 20 97 Y		x	-	
9 J x 20	46	275/35 R 20 102 Y XL		x	-	
235 x 500 A	41	245/690 R 500 A 99 Y		x	-	59)
7.5 J x 17	40	235/55 R 17 99 H	x		front	60)
7.5 J x 18	40	235/50 R 18 101 H XL	x		front	60)
8 J x 19	40	235/45 R 19 99 H XL	x		front	
8.5 J x 19	42	255/40 R 19 100 H XL	x		-	
235 x 500 A	41	235/690 R 500 A 102 H XL	x		front	59)

XL = Extra load, reinforced

59) Only permissible with factory-fitted Tyre Pressure Monitoring System/Tyre Pressure Loss Indicator

60) Not permissible with ceramic brakes (PR 1LW / 1KU)

⇒ "1 Audi A8, type 4E", page 1

⇒ "2 Rims - A8, type 4E", page 37

1.5.7 6.0 ltr. engine - 331 kW



Caution

It is not possible to fit the temporary spare wheel if ceramic brakes are installed.



Note

- ◆ *Check the available documentation to establish whether the desired rim size or wheel size is permissible for the vehicle in question.*
- ◆ *When fitting wheels from Audi Genuine Accessories, please also refer to the instructions in the Accessories ETKA (Z-ETKA).*

Protected by copyright. Copying for private or commercial purposes, in part or in whole, is not permitted unless authorised by AUDI AG. AUDI AG does not guarantee or accept any liability with respect to the correctness of information in this document. Copyright by AUDI AG.

A8, type 4E

Rim	Offset (mm)	Tyre size	Winter	Summer	Snow chains	Footnote
8.5 J x 18	45	255/45 R 18 99 Y		x	-	62)
8.5 J x 19	42	255/40 R 19 100 Y XL		x	-	
8.5 J x 19	45	255/40 R 19 100 Y XL		x	-	
9 J x 19	41	255/40 R 19 100 Y XL		x	-	
9 J x 19	44	255/40 R 19 100 Y XL		x	-	
9 J x 20	46	275/35 R 20 102 Y XL		x	-	
235 x 500 A	41	245/690 R 500 A 99 Y		x	-	61)
235 x 470 A	59	245/700 R 470 A 116 H Y		x	-	61)
7.5 J x 18	40	235/50 R 18 101 H XL	x		front	62)
8 J x 19	40	235/45 R 19 99 H XL	x		front	
235 x 500 A	41	235/690 R 500 A 102 H XL	x		front	61)

XL = Extra load, reinforced

61) Only permissible with factory-fitted Tyre Pressure Monitoring System/Tyre Pressure Loss Indicator

62) Not permissible with ceramic brakes (PR 1LW / 1KU)

⇒ ["1 Audi A8, type 4E", page 1](#)

⇒ ["2 Rims - A8, type 4E", page 37](#)

1.6 Audi A8, type 4E (model year 2010)

⇒ ["1 Audi A8, type 4E", page 1](#)

⇒ ["1.6.1 2.8 ltr. FSI engine - 154 kW", page 29](#)

⇒ ["1.6.2 3.0 ltr. TDI engine - 155/171 kW", page 30](#)

⇒ ["1.6.3 3.2 ltr. FSI engine - 191 kW", page 31](#)

⇒ ["1.6.4 3.7 ltr. engine - 206 kW", page 32](#)

⇒ ["1.6.5 4.2 ltr. engine - 246/257 kW", page 33](#)

⇒ ["1.6.6 4.2 ltr. TDI engine - 240 kW", page 34](#)

⇒ ["1.6.7 6.0 ltr. engine - 331 kW", page 35](#)

1.6.1 2.8 ltr. FSI engine - 154 kW



Caution

It is not possible to fit the temporary spare wheel if ceramic brakes are installed.



Note

- ◆ Check the available documentation to establish whether the desired rim size or wheel size is permissible for the vehicle in question.
- ◆ When fitting wheels from Audi Genuine Accessories, please also refer to the instructions in the Accessories ETKA (Z-ETKA).

A8, type 4E

Rim	Offset (mm)	Tyre size	Winter	Summer	Snow chains	Footnote
8 J x 17	43	235/55 R 17 99 W		x	-	64)
8 J x 18	43	235/50 R 18 101 W XL		x	-	64)
8.5 J x 18	45	255/45 R 18 99 W		x	-	64)
8.5 J x 19	42	255/40 R 19 100 Y XL		x	-	
8.5 J x 19	45	255/40 R 19 96 W		x	-	
9 J x 19	41	255/40 R 19 96 W		x	-	
9 J x 19	44	255/40 R 19 96 W		x	-	
8.5 J x 20	45	255/35 R 20 97 Y		x	-	
9 J x 20	46	275/35 R 20 102 Y XL		x	-	
235 x 500 A	41	245/690 R 500 A 99 Y		x	-	63)
7.5 J x 17	40	235/55 R 17 99 H	x		front	64)
7.5 J x 18	40	235/50 R 18 97 H	x		front	64)
8 J x 19	40	235/45 R 19 95 H	x		front	
8.5 J x 19	42	255/40 R 19 96 H	x		-	
235 x 500 A	41	235/690 R 500 A 102 H XL	x		front	63)

XL = Extra load, reinforced

63) Only permissible with factory-fitted Tyre Pressure Monitoring System/Tyre Pressure Loss Indicator

64) Not permissible with ceramic brakes (PR 1LW / 1KU)

⇒ ["1 Audi A8, type 4E", page 1](#)

⇒ ["2 Rims - A8, type 4E", page 37](#)

1.6.2 3.0 ltr. TDI engine - 155/171 kW



Caution

It is not possible to fit the temporary spare wheel if ceramic brakes are installed.



Note

- ◆ *Check the available documentation to establish whether the desired rim size or wheel size is permissible for the vehicle in question.*
- ◆ *When fitting wheels from Audi Genuine Accessories, please also refer to the instructions in the Accessories ETKA (Z-ETKA).*

A8, type 4E

Rim	Offset (mm)	Tyre size	Winter	Summer	Snow chains	Footnote
7.5 J x 16	40	235/60 R 16 100 W		x	front	66)
8 J x 17	43	235/55 R 17 99 Y		x	-	66)
8 J x 18	43	235/50 R 18 101 Y XL		x	-	66)
8.5 J x 18	45	255/45 R 18 99 Y		x	-	66)
8.5 J x 19	42	255/40 R 19 100 Y XL		x	-	
8.5 J x 19	45	255/40 R 19 100 Y XL		x	-	
9 J x 19	41	255/40 R 19 100 Y XL		x	-	
9 J x 19	44	255/40 R 19 100 Y XL		x	-	
9 J x 20	46	275/35 R 20 102 Y XL		x	-	
235 x 500 A	41	245/690 R 500 A 99 Y		x	-	65)
7.5 J x 17	40	235/55 R 17 99 H	x		front	66)
7.5 J x 18	40	235/50 R 18 101 H XL	x		front	66)
8 J x 19	40	235/45 R 19 99 H XL	x		front	
8.5 J x 19	42	255/40 R 19 100 H XL	x		-	
235 x 500 A	41	235/690 R 500 A 102 H XL	x		front	65)

XL = Extra load, reinforced

65) Only permissible with factory-fitted Tyre Pressure Monitoring System/Tyre Pressure Loss Indicator

66) Not permissible with ceramic brakes (PR 1LW / 1KU)

⇒ "1 Audi A8, type 4E", page 1

⇒ "2 Rims - A8, type 4E", page 37

1.6.3 3.2 ltr. FSI engine - 191 kW



Caution

It is not possible to fit the temporary spare wheel if ceramic brakes are installed.



Note

- ◆ Check the available documentation to establish whether the desired rim size or wheel size is permissible for the vehicle in question.
- ◆ When fitting wheels from Audi Genuine Accessories, please also refer to the instructions in the Accessories ETKA (Z-ETKA).

A8, type 4E

Rim	Offset (mm)	Tyre size	Winter	Summer	Snow chains	Footnote
8 J x 17	43	235/55 R 17 99 Y		x	front	68)
8 J x 18	43	235/50 R 18 101 Y XL		x	-	68)
8.5 J x 18	45	255/45 R 18 99 Y		x	-	68)
8.5 J x 19	42	255/40 R 19 100 Y XL		x	-	
8.5 J x 19	45	255/40 R 19 100 Y XL		x	-	
9 J x 19	41	255/40 R 19 100 Y XL		x	-	
9 J x 19	44	255/40 R 19 100 Y XL		x	-	
8.5 J x 20	45	255/35 R 20 97 Y		x	-	
9 J x 20	46	275/35 R 20 102 Y XL		x	-	
235 x 500 A	41	245/690 R 500 A 99 Y		x	-	67)
7.5 J x 17	40	235/55 R 17 99 H	x		front	68)
7.5 J x 18	40	235/50 R 18 101 H XL	x		front	68)
8 J x 19	40	235/45 R 19 99 H XL	x		front	
8.5 J x 19	42	255/40 R 19 100 H XL	x		-	
235 x 500 A	41	235/690 R 500 A 102 H XL	x		front	67)

XL = Extra load, reinforced

67) Only permissible with factory-fitted Tyre Pressure Monitoring System/Tyre Pressure Loss Indicator

68) Not permissible with ceramic brakes (PR 1LW / 1KU)



Protected by copyright. Copying for private or commercial purposes, in part or in whole, is not permitted unless authorised by AUDI AG. AUDI AG does not guarantee or accept any liability with respect to the correctness of information in this document. Copyright by AUDI AG.

⇒ "1 Audi A8, type 4E", page 1

⇒ "2 Rims - A8, type 4E", page 37

1.6.4 3.7 ltr. engine - 206 kW



Caution

It is not possible to fit the temporary spare wheel if ceramic brakes are installed.



Note

- ◆ Check the available documentation to establish whether the desired rim size or wheel size is permissible for the vehicle in question.
- ◆ When fitting wheels from Audi Genuine Accessories, please also refer to the instructions in the Accessories ETKA (Z-ETKA).

A8, type 4E

Rim	Offset (mm)	Tyre size	Winter	Summer	Snow chains	Footnote
8 J x 17	43	235/55 R 17 99 Y		x	-	70)
8 J x 18	43	235/50 R 18 101 Y XL		x	-	70)
8.5 J x 18	45	255/45 R 18 99 Y		x	-	70)
8.5 J x 19	42	255/40 R 19 100 Y XL		x	-	
8.5 J x 19	45	255/40 R 19 100 Y XL		x	-	
9 J x 19	41	255/40 R 19 100 Y XL		x	-	
9 J x 19	44	255/40 R 19 100 Y XL		x	-	
8.5 J x 20	45	255/35 R 20 97 Y		x	-	
9 J x 20	46	275/35 R 20 102 Y XL		x	-	
235 x 500 A	41	245/690 R 500 A 99 Y		x	-	69)
7.5 J x 17	40	235/55 R 17 99 H	x		front	70)
7.5 J x 18	40	235/50 R 18 101 H XL	x		front	70)
8 J x 19	40	235/45 R 19 99 H XL	x		front	
8.5 J x 19	42	255/40 R 19 100 H XL	x		-	
235 x 500 A	41	235/690 R 500 A 102 H XL	x		front	69)

XL = Extra load, reinforced


69) Only permissible with factory-fitted Tyre Pressure Monitoring System/Tyre Pressure Loss Indicator

70) Not permissible with ceramic brakes (PR 1LW / 1KU)

⇒ "1 Audi A8, type 4E", page 1

⇒ "2 Rims - A8, type 4E", page 37

1.6.5 4.2 ltr. engine - 246/257 kW

 **Caution**
It is not possible to fit the temporary spare wheel if ceramic brakes are installed.

Note

- ◆ Check the available documentation to establish whether the desired rim size or wheel size is permissible for the vehicle in question.
- ◆ When fitting wheels from Audi Genuine Accessories, please also refer to the instructions in the Accessories ETKA (Z-ETKA).

A8, type 4E

Rim	Offset (mm)	Tyre size	Winter	Summer	Snow chains	Footnote
8 J x 17	43	235/55 R 17 99 Y		x	-	72)
8 J x 18	43	235/50 R 18 101 Y XL		x	-	72)
8.5 J x 19	42	255/40 R 19 100 Y XL		x	-	
8.5 J x 18	45	255/45 R 18 99 Y		x	-	72)
8.5 J x 19	45	255/40 R 19 100 Y XL		x	-	
9 J x 19	41	255/40 R 19 100 Y XL		x	-	
9 J x 19	44	255/40 R 19 100 Y XL		x	-	
8.5 J x 20	45	255/35 R 20 97 Y		x	-	
9 J x 20	46	275/35 R 20 102 Y XL		x	-	
235 x 500 A	41	245/690 R 500 A 99 Y		x		71)
7.5 J x 17	40	235/55 R 17 99 H	x		front	72)
7.5 J x 18	40	235/50 R 18 101 H XL	x		front	72)
8 J x 19	40	235/45 R 19 99 H XL	x		front	
8.5 J x 19	42	255/40 R19 100 H XL	x		-	
235 x 500 A	41	235/690 R 500 A 102 H XL	x		front	71)

XL = Extra load, reinforced

71) Only permissible with factory-fitted Tyre Pressure Monitoring System/Tyre Pressure Loss Indicator

72) Not permissible with ceramic brakes (PR 1LW / 1KU)

⇒ "1 Audi A8, type 4E", page 1

⇒ "2 Rims - A8, type 4E", page 37

1.6.6 4.2 ltr. TDI engine - 240 kW



Caution

It is not possible to fit the temporary spare wheel if ceramic brakes are installed.



Note

- ◆ Check the available documentation to establish whether the desired rim size or wheel size is permissible for the vehicle in question.
- ◆ When fitting wheels from Audi Genuine Accessories, please also refer to the instructions in the Accessories ETKA (Z-ETKA).

A8, type 4E

Rim	Offset (mm)	Tyre size	Winter	Summer	Snow chains	Footnote
8 J x 17	43	235/55 R 17 99 Y		x	-	74)
8 J x 18	43	235/50 R 18 101 Y XL		x	-	74)
8.5 J x 18	45	255/45 R 18 99 Y		x	-	74)
8.5 J x 19	42	255/40 R 19 100 Y XL		x	-	
8.5 J x 19	45	255/40 R 19 100 Y XL		x	-	
9 J x 19	41	255/40 R 19 100 Y XL		x	-	
9 J x 19	44	255/40 R 19 100 Y XL		x	-	
8.5 J x 20	45	255/35 R 20 97 Y		x	-	
9 J x 20	46	275/35 R 20 102 Y XL		x	-	
235 x 500 A	41	245/690 R 500 A 99 Y		x	-	73)
7.5 J x 17	40	235/55 R 17 99 H	x		front	74)
7.5 J x 18	40	235/50 R 18 101 H XL	x		front	74)
8 J x 19	40	235/45 R 19 99 H XL	x		front	
8.5 J x 19	42	255/40 R 19 100 H XL	x		-	
235 x 500 A	41	235/690 R 500 A 102 H XL	x		front	73)

XL = Extra load, reinforced


73) Only permissible with factory-fitted Tyre Pressure Monitoring System/Tyre Pressure Loss Indicator

74) Not permissible with ceramic brakes (PR 1LW / 1KU)

⇒ ["1 Audi A8, type 4E", page 1](#)

⇒ ["2 Rims - A8, type 4E", page 37](#)

1.6.7 6.0 ltr. engine - 331 kW

 **Caution**
It is not possible to fit the temporary spare wheel if ceramic brakes are installed.

Note

- ◆ Check the available documentation to establish whether the desired rim size or wheel size is permissible for the vehicle in question.
- ◆ When fitting wheels from Audi Genuine Accessories, please also refer to the instructions in the Accessories ETKA (Z-ETKA).

Protected by copyright. Copying for private or commercial purposes, in part or in whole, is not permitted. All rights reserved. © Audi AG. Audi AG does not guarantee or accept any liability with respect to the correctness of information in this document. Copyright by AUDI AG.

Rim	Offset (mm)	Tyre size	Winter	Summer	Snow chains	Footnote
8.5 J x 18	45	255/45 R 18 99 Y		x	-	76)
8.5 J x 19	42	255/40 R 19 100 Y XL		x	-	
8.5 J x 19	45	255/40 R 19 100 Y XL		x	-	
9 J x 19	41	255/40 R 19 100 Y XL		x	-	
9 J x 19	44	255/40 R 19 100 Y XL		x	-	
9 J x 20	46	275/35 R 20 102 Y XL		x	-	
235 x 500 A	41	245/690 R 500 A 99 Y XL		x	-	75)
235 x 470 A	59	245/700 R 470 A 116 H Y		x	-	75)
7.5 J x 18	40	235/50 R 18 101 H XL	x		front	76)
8 J x 19	40	235/45 R 19 99 H XL	x		front	
235 x 500 A	41	235/690 R 500 A 102 H XL	x		front	75)

XL = Extra load, reinforced

75) Only permissible with factory-fitted Tyre Pressure Monitoring System/Tyre Pressure Loss Indicator

76) Not permissible with ceramic brakes (PR 1LW / 1KU)

⇒ ["1 Audi A8, type 4E", page 1](#)

⇒ ["2 Rims - A8, type 4E", page 37](#)

1.7 Audi S8, type 4E (model year 2007 >)

⇒ ["1.7.1 5.2 ltr. engine - 331 kW", page 35](#)

1.7.1 5.2 ltr. engine - 331 kW

 **Caution**
It is not possible to fit the temporary spare wheel.

 **Note**

- ◆ *Check the available documentation to establish whether the desired rim size or wheel size is permissible for the vehicle in question.*
- ◆ *When fitting wheels from Audi Genuine Accessories, please also refer to the instructions in the Accessories ETKA (Z-ETKA).*

S8, type 4E

Rim	Offset (mm)	Tyre size	Winter	Summer	Snow chains	Footnote
9 J x 19	41	255/40 R 19 100 Y XL		x	-	
9 J x 19	41	255/40 R 19 100 Y XL		x	-	
9 J x 19	44	255/40 R 19 100 Y XL		x	-	
9 J x 20	45	265/35 R 20 99 Y		x	-	78)
9 J x 20	46	275/35 R 20 102 Y XL		x	-	
7.5 J x 18	40	235/50 R 18 101 H XL	x		front	77)
8 J x 19	40	235/45 R 19 99 H XL	x		front	79)
8.5 J x 19	42	255/40 R 19 100 H XL	x		-	80)

XL = Extra load, reinforced

77) Not permissible with ceramic brakes (PR 1LW / 1KU)

78) Pirelli P Zero, Yokohama Advan Sport.

79) Dunlop SP Winter Sport 3D, Pirelli Winter 210 SOTTOZERO.

80) Dunlop SP Winter Sport M3, Pirelli Winter 240 SOTTOZERO.

Protected by copyright. Copying for private or commercial purposes, in part or in whole, is not permitted unless authorised by AUDI AG. AUDI AG does not guarantee or accept any liability with respect to the correctness of information in this document. Copyright by AUDI AG.

⇒ ["1 Audi A8, type 4E", page 1](#)

⇒ ["2 Rims - A8, type 4E", page 37](#)

2 Rims - A8, type 4E



Caution

Rims for type 4E vehicles cannot be combined with rims for type 4H.

A8, type 4E: hub diameter 57 mm, bolt circle diameter 112 mm, 5 wheel bolts, 120 Nm, (PAX wheels 140 Nm)

A8, type 4H: hub diameter 66.5 mm, bolt circle diameter 112 mm, 5 wheel bolts, 120 Nm, (PAX wheels 140 Nm)

⇒ ["1 Audi A8, type 4E", page 1](#)

⇒ ["2.1 7.5 J x 16 rim", page 37](#)

⇒ ["2.2 7.5 J x 17 rim", page 38](#)

⇒ ["2.3 8 J x 17 rim", page 39](#)

⇒ ["2.4 7.5 J x 18 rim", page 40](#)

⇒ ["2.5 8 J x 18 rim", page 41](#)

⇒ ["2.6 8.5 J x 18 rim", page 42](#)

⇒ ["2.7 8 J x 19 rim", page 44](#)

⇒ ["2.8 8.5 J x 19 rim", page 44](#)

⇒ ["2.9 9 J x 19 rim", page 46](#)

⇒ ["2.10 8.5 J x 20 rim", page 47](#)

⇒ ["2.11 9 J x 20 rim", page 47](#)

⇒ ["2.12 Rims for PAX tyres", page 49](#)



Protected by copyright. Copying for private or commercial purposes, in part or in whole, is not permitted unless authorised by AUDI AG. AUDI AG does not guarantee or accept any liability with respect to the correctness of information in this document. Copyright by AUDI AG.

2.1 7.5 J x 16 rim



Caution

Rims for type 4E vehicles cannot be combined with rims for type 4H.

A8, type 4E: hub diameter 57 mm, bolt circle diameter 112 mm, 5 wheel bolts, 120 Nm, (PAX wheels 140 Nm)

A8, type 4H: hub diameter 66.5 mm, bolt circle diameter 112 mm, 5 wheel bolts, 120 Nm, (PAX wheels 140 Nm)



Note

- ◆ Please use the Electronic parts catalogue ("ETKA") to order the correct rims with part number.
- ◆ When fitting wheels from Audi Genuine Accessories, please also refer to the instructions in the Accessories ETKA (Z-ETKA).

Nm	Wheel bolts	Circle dia. (mm)	Wheel hub (mm)
120	5	112	57

4E0 601 025 G	
Aluminium rim, PR number	CH0
Size:	7.5 J x 16 H2
Wheel offset (ET) in mm:	40
Wheel load (kg):	725



2.2 7.5 J x 17 rim



Caution

Rims for type 4E vehicles cannot be combined with rims for type 4H.

A8, type 4E: hub diameter 57 mm, bolt circle diameter 112 mm, 5 wheel bolts, 120 Nm, (PAX wheels 140 Nm)

A8, type 4H: hub diameter 66.5 mm, bolt circle diameter 112 mm, 5 wheel bolts, 120 Nm, (PAX wheels 140 Nm)



Note

- ◆ Please use the Electronic parts catalogue ("ETKA") to order the correct rims with part number.
- ◆ When fitting wheels from Audi Genuine Accessories, please also refer to the instructions in the Accessories ETKA (Z-ETKA).

Protected by copyright. Copying for private or commercial purposes, in part or in whole, is not permitted unless authorised by AUDI AG. AUDI AG does not guarantee or accept any liability with respect to the accuracy of information in this publication. © 2014 AUDI AG.

Nm	Wheel bolts	Circle dia. (mm)	Wheel hub (mm)
120	5	112	57

4E0 601 025 P	
Aluminium winter rim, PR number	2WP
Size:	7.5 J x 17 H2
Wheel offset (ET) in mm:	40
Wheel load (kg):	725



2.3 8 J x 17 rim



Caution

Rims for type 4E vehicles cannot be combined with rims for type 4H.

A8, type 4E: hub diameter 57 mm, bolt circle diameter 112 mm, 5 wheel bolts, 120 Nm, (PAX wheels 140 Nm)

A8, type 4H: hub diameter 66.5 mm, bolt circle diameter 112 mm, 5 wheel bolts, 120 Nm, (PAX wheels 140 Nm)

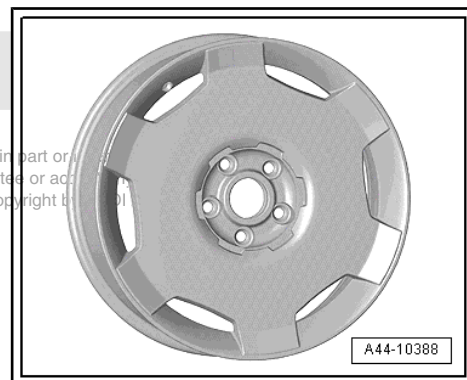


Note

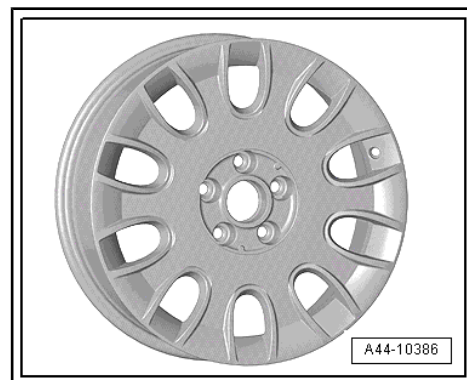
- ◆ Please use the Electronic parts catalogue ("ETKA") to order the correct rims with part number.
- ◆ When fitting wheels from Audi Genuine Accessories, please also refer to the instructions in the Accessories ETKA (Z-ETKA).

Nm	Wheel bolts	Circle dia. (mm)	Wheel hub (mm)
120	5	112	57

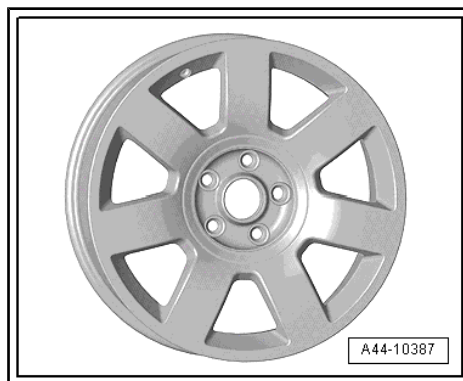
4E0 601 025 H	
Aluminium rim, PR number	CF9
Size:	8 J x 17 H2
Wheel offset (ET) in mm:	43
Wheel load (kg):	725



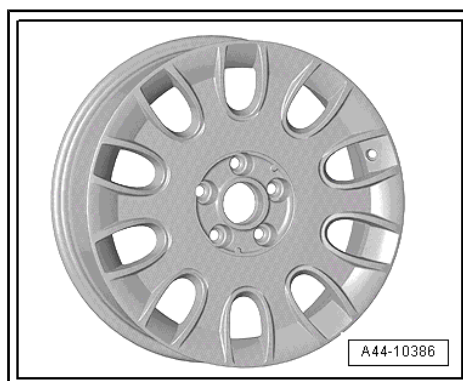
4E0 601 025 J	
Aluminium rim, PR number	CG1
Size:	8 J x 17 H2
Wheel offset (ET) in mm:	43
Wheel load (kg):	725



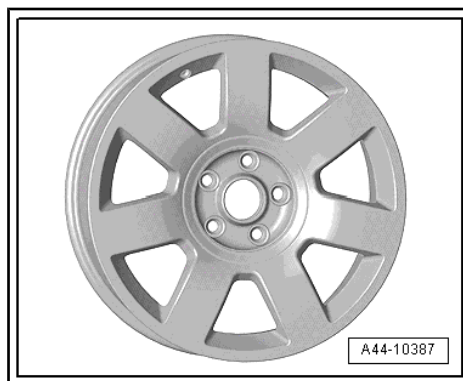
4E0 601 025 K	
Aluminium rim, PR number	CG0
Size:	8 J x 17 H2
Wheel offset (ET) in mm:	43
Wheel load (kg):	725



4E0 601 025 R	
Aluminium rim, PR number	CU5
Size:	8 J x 17 H2
Wheel offset (ET) in mm:	43
Wheel load (kg):	725



4E0 601 025 S	
Aluminium rim, PR number	CG0
Size:	8 J x 17 H2
Wheel offset (ET) in mm:	43
Wheel load (kg):	725



2.4 7.5 J x 18 rim



Caution

Rims for type 4E vehicles cannot be combined with rims for type 4H.

A8, type 4E: hub diameter 57 mm, bolt circle diameter 112 mm, 5 wheel bolts, 120 Nm, (PAX wheels 140 Nm)

A8, type 4H: hub diameter 66.5 mm, bolt circle diameter 112 mm, 5 wheel bolts, 120 Nm, (PAX wheels 140 Nm)

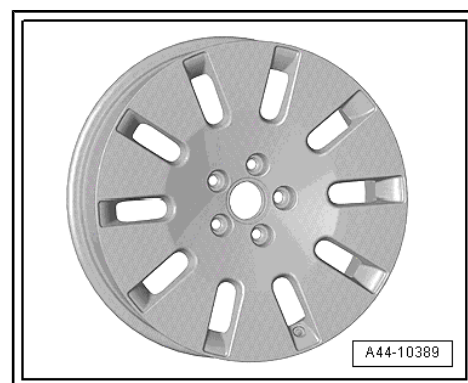
Protected by copyright. Copying for private or commercial purposes, in part or in whole, is not permitted unless authorised by AUDI AG. AUDI AG does not guarantee or accept any liability with respect to the correctness of information in this document. Copyright by AUDI AG.

 **Note**


- ◆ Please use the Electronic parts catalogue ("ETKA") to order the correct rims with part number.
- ◆ When fitting wheels from Audi Genuine Accessories, please also refer to the instructions in the Accessories ETKA (Z-ETKA).

Nm	Wheel bolts	Circle dia. (mm)	Wheel hub (mm)
120	5	112	57

4E0 601 025 Q	
Aluminium winter rim, PR number	2WQ
Size:	7.5 J x 18 H2
Wheel offset (ET) in mm:	40
Wheel load (kg):	725



2.5 8 J x 18 rim

 **Caution**

Rims for type 4E vehicles cannot be combined with rims for type 4H.

A8, type 4E: hub diameter 57 mm, bolt circle diameter 112 mm, 5 wheel bolts, 120 Nm, (PAX wheels 140 Nm)

A8, type 4H: hub diameter 66.5 mm, bolt circle diameter 112 mm, 5 wheel bolts, 120 Nm, (PAX wheels 140 Nm)

 **Note**

- ◆ Please use the Electronic parts catalogue ("ETKA") to order the correct rims with part number.
- ◆ When fitting wheels from Audi Genuine Accessories, please also refer to the instructions in the Accessories ETKA (Z-ETKA).

Nm	Wheel bolts	Circle dia. (mm)	Wheel hub (mm)
120	5	112	57

Protected by copyright. Copying for private or commercial purposes, in part or in whole, is not permitted unless authorised by AUDI AG. AUDI AG does not guarantee or accept any liability with respect to the correctness of information in this document. Copyright by AUDI AG.

Aluminium rim

4D0 601 025 AB	
Aluminium rim, PR number	CL7
Size:	8 J x 18 H2
Wheel offset (ET) in mm:	43
Wheel load (kg):	700



4E0 601 025 L	
Aluminium rim, PR number	CG2
Size:	8 J x 18 H2
Wheel offset (ET) in mm:	43
Wheel load (kg):	700



2.6 8.5 J x 18 rim



Caution

Rims for type 4E vehicles cannot be combined with rims for type 4H.

A8, type 4E: hub diameter 57 mm, bolt circle diameter 112 mm, 5 wheel bolts, 120 Nm, (PAX wheels 140 Nm)

A8, type 4H: hub diameter 66.5 mm, bolt circle diameter 112 mm, 5 wheel bolts, 120 Nm, (PAX wheels 140 Nm)



Note

- ◆ Please use the Electronic parts catalogue ("ETKA") to order the correct rims with part number.
- ◆ When fitting wheels from Audi Genuine Accessories, please also refer to the instructions in the Accessories ETKA (Z-ETKA).

protected by copyright. Copying for private or commercial purposes, in part or in whole, is not permitted unless authorised by AUDI AG. AUDI AG does not guarantee or accept any liability with respect to the correctness of information in this document. Copyright by AUDI AG

Nm	Wheel bolts	Circle dia. (mm)	Wheel hub (mm)
120	5	112	57

4E0 601 025 AC	
Aluminium rim, PR number	C7P
Size:	8.5 J x 18 H2
Wheel offset (ET) in mm:	45
Wheel load (kg):	725



4E0 601 025 AK	
Aluminium rim, PR number	C3G
Size:	8.5 J x 18 H2
Wheel offset (ET) in mm:	45
Wheel load (kg):	725

Protected by copyright. Copying for private or commercial purposes, in part or in whole, is not permitted unless authorised by AUDI AG. AUDI AG does not guarantee or accept any liability with respect to the correctness of information in this document. © AUDI AG.



Aluminium rim

4E0 601 025 AS	
Aluminium rim, PR number	CG3
Size:	8.5 J x 18 H2
Wheel offset (ET) in mm:	45
Wheel load (kg):	725



4E0 601 025 M	
Aluminium rim, PR number	CG3
Size:	8.5 J x 18 H2
Wheel offset (ET) in mm:	45
Wheel load (kg):	700



2.7 8 J x 19 rim



Caution

Rims for type 4E vehicles cannot be combined with rims for type 4H.

A8, type 4E: hub diameter 57 mm, bolt circle diameter 112 mm, 5 wheel bolts, 120 Nm, (PAX wheels 140 Nm)

A8, type 4H: hub diameter 66.5 mm, bolt circle diameter 112 mm, 5 wheel bolts, 120 Nm, (PAX wheels 140 Nm)

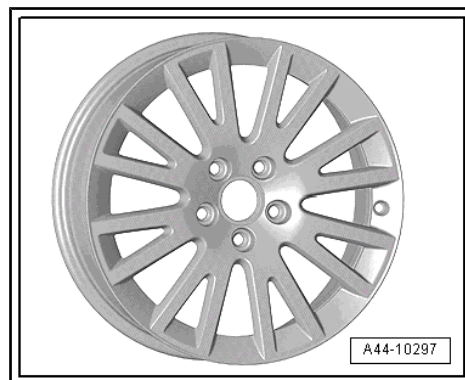


Note

- ◆ *Please use the Electronic parts catalogue ("ETKA") to order the correct rims with part number.*
- ◆ *When fitting wheels from Audi Genuine Accessories, please also refer to the instructions in the Accessories ETKA (Z-ETKA).*

Nm	Wheel bolts	Circle dia. (mm)	Wheel hub (mm)
120	5	112	57

4E0 601 025 AL	
Aluminium winter rim, PR number	2WW
Size:	8 J x 19
Wheel offset (ET) in mm:	40
Wheel load (kg):	725



2.8 8.5 J x 19 rim



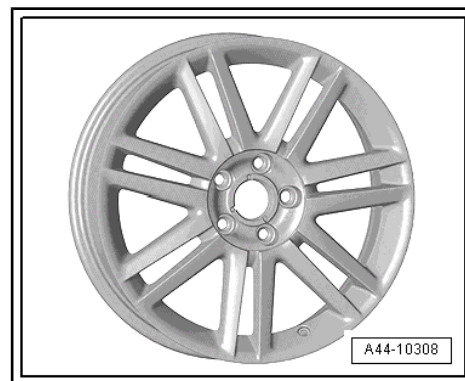
Note

- ◆ *Please use the Electronic parts catalogue ("ETKA") to order the correct rims with part number.*
- ◆ *When fitting wheels from Audi Genuine Accessories, please also refer to the instructions in the Accessories ETKA (Z-ETKA).*

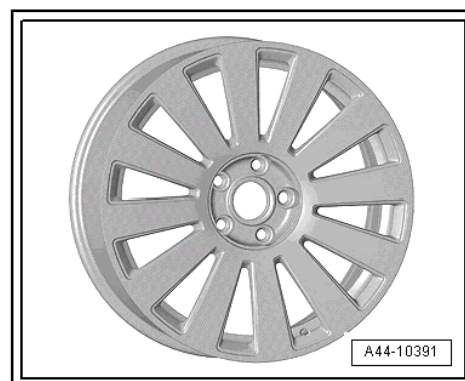
Protected by copyright. Copying for private or commercial purposes, in part or in whole, is not permitted unless authorised by AUDI AG. AUDI AG does not guarantee or accept any liability with respect to the correctness of information in this document. Copyright by AUDI AG.

Nm	Wheel bolts	Circle dia. (mm)	Wheel hub (mm)
120	5	112	57

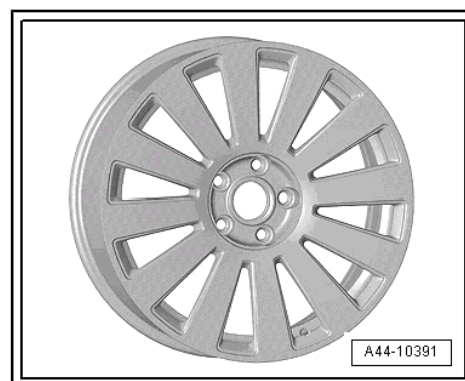
4E0 601 025 AQ	
Aluminium winter rim, PR number	7DK
Size:	8.5 J x 19
Wheel offset (ET) in mm:	42
Wheel load (kg):	725



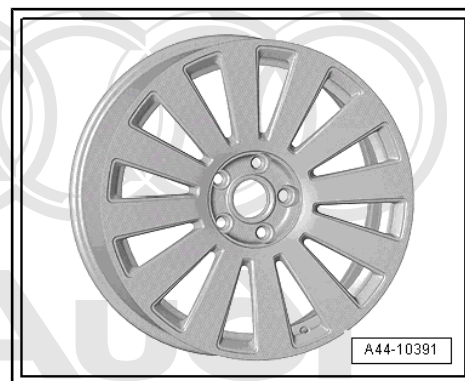
4E0 601 025 N	
Aluminium winter rim, PR number	2XS
Size:	8.5 J x 19
Wheel offset (ET) in mm:	45
Wheel load (kg):	725



4E0 601 025 AG	
Aluminium rim, PR number	C7G
Size:	8.5 J x 19 H2
Wheel offset (ET) in mm:	45
Wheel load (kg):	725



4E0 601 025 N	
Aluminium rim, PR number	CG4
Size:	8.5 J x 19 H2
Wheel offset (ET) in mm:	45
Wheel load (kg):	725



Protected by copyright. Copying for private or commercial purposes, in part or in whole, is not permitted unless authorised by AUDI AG. AUDI AG does not guarantee or accept any liability with respect to the correctness of information in this document. Copyright by AUDI AG.

2.9 9 J x 19 rim



Caution

Rims for type 4E vehicles cannot be combined with rims for type 4H.

A8, type 4E: hub diameter 57 mm, bolt circle diameter 112 mm, 5 wheel bolts, 120 Nm, (PAX wheels 140 Nm)

A8, type 4H: hub diameter 66.5 mm, bolt circle diameter 112 mm, 5 wheel bolts, 120 Nm, (PAX wheels 140 Nm)



Note

- ◆ *Please use the Electronic parts catalogue ("ETKA") to order the correct rims with part number.*
- ◆ *When fitting wheels from Audi Genuine Accessories, please also refer to the instructions in the Accessories ETKA (Z-ETKA).*

Nm	Wheel bolts	Circle dia. (mm)	Wheel hub (mm)
120	5	112	57

4E0 601 025 AD	
Aluminium rim, PR number	CV9
Size:	9 J x 19 H2
Wheel offset (ET) in mm:	44
Wheel load (kg):	725



4E0 601 025 AM	
Aluminium rim, PR number	CW0
Size:	9 J x 19 H2
Wheel offset (ET) in mm:	41
Wheel load (kg):	725



Protected by copyright. Copying for private or commercial purposes, in part or in whole, is not permitted unless authorised by AUDI AG. AUDI AG does not guarantee or accept any liability with respect to the correctness of information in this document. Copyright by AUDI AG.

2.10 8.5 J x 20 rim



Caution

Rims for type 4E vehicles cannot be combined with rims for type 4H.

A8, type 4E: hub diameter 57 mm, bolt circle diameter 112 mm, 5 wheel bolts, 120 Nm, (PAX wheels 140 Nm)

A8, type 4H: hub diameter 66.5 mm, bolt circle diameter 112 mm, 5 wheel bolts, 120 Nm, (PAX wheels 140 Nm)



Note

- ◆ Please use the Electronic parts catalogue ("ETKA") to order the correct rims with part number.
- ◆ When fitting wheels from Audi Genuine Accessories, please also refer to the instructions in the Accessories ETKA (Z-ETKA).

Nm	Wheel bolts	Circle dia. (mm)	Wheel hub (mm)
120	5	112	57

4D0 601 025 AE	
Aluminium rim, PR number	C1S
Size:	8.5 J x 20 H2
Wheel offset (ET) in mm:	45
Wheel load (kg):	725



2.11 9 J x 20 rim



Caution

Protected by copyright. Copying for private or commercial purposes, in part or in whole, is not permitted unless authorised by AUDI AG. AUDI AG does not guarantee or accept any liability with respect to the correctness of information in this document. Copyright by AUDI AG.

Rims for type 4E vehicles cannot be combined with rims for type 4H.

A8, type 4E: hub diameter 57 mm, bolt circle diameter 112 mm, 5 wheel bolts, 120 Nm, (PAX wheels 140 Nm)

A8, type 4H: hub diameter 66.5 mm, bolt circle diameter 112 mm, 5 wheel bolts, 120 Nm, (PAX wheels 140 Nm)

 **Note**

- ◆ Please use the Electronic parts catalogue ("ETKA") to order the correct rims with part number.
- ◆ When fitting wheels from Audi Genuine Accessories, please also refer to the instructions in the Accessories ETKA (Z-ETKA).

Nm	Wheel bolts	Circle dia. (mm)	Wheel hub (mm)
120	5	112	57

4E0 601 025 AF	
Aluminium rim, PR number	CQ2
Size:	9 J x 20 H2
Wheel offset (ET) in mm:	46
Wheel load (kg):	725



4E0 601 025 AN	
Aluminium rim, PR number	CN7
Size:	9 J x 20 H2
Wheel offset (ET) in mm:	46
Wheel load (kg):	725



4E0 601 025 AP	
Aluminium rim, PR number	CP5
Size:	9 J x 20 H2
Wheel offset (ET) in mm:	45
Wheel load (kg):	725



4E0 601 025 AT	
Aluminium rim, PR number	CT1
Size:	9 J x 20 H2
Wheel offset (ET) in mm:	46
Wheel load (kg):	725



4E0 601 025 BD	
Aluminium rim, PR number	CS6
Size:	9 J x 20 H2
Wheel offset (ET) in mm:	45
Wheel load (kg):	725



4E0 601 025 BE	
Aluminium rim, PR number	FO8
Size:	9 J x 20 H2
Wheel offset (ET) in mm:	46
Wheel load (kg):	725



2.12 Rims for PAX tyres



Caution

Rims for type 4E vehicles cannot be combined with rims for type 4H.

A8, type 4E: hub diameter 57 mm, bolt circle diameter 112 mm, 5 wheel bolts, 120 Nm, (PAX wheels 140 Nm)

A8, type 4H: hub diameter 66.5 mm, bolt circle diameter 112 mm, 5 wheel bolts, 120 Nm, (PAX wheels 140 Nm)



Note

Only permissible in conjunction with Tyre Pressure Monitoring System

 **Note**

- ◆ Please use the Electronic parts catalogue ("ETKA") to order the correct rims with part number.
- ◆ When fitting wheels from Audi Genuine Accessories, please also refer to the instructions in the Accessories ETKA (Z-ETKA).

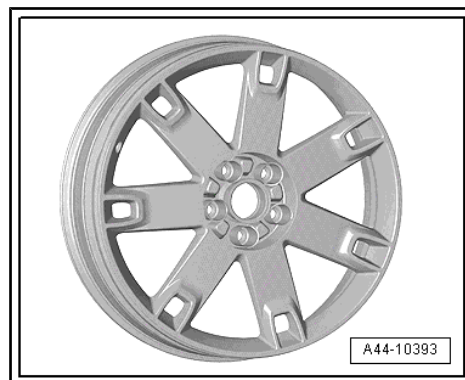
Nm	Wheel bolts	Circle dia. (mm)	Wheel hub (mm)
140	5	112	57

4E0 601 023 (for PAX tyres only)	
PAX aluminium winter rim, PR number	7DW
Size in mm:	235 x 500 A
Wheel offset (ET) in mm:	41
Wheel load (kg):	725



Protected by copyright. Copying for private or commercial purposes, in part or in full, is not permitted unless authorised by AUDI AG. AUDI AG does not guarantee or accept any liability with respect to the correctness of information in this document. Copyright by AUDI AG.

4E0 601 023 (for PAX tyres only)	
Aluminium rim, PR number	CS9
Size in mm:	235 x 500 A
Wheel offset (ET) in mm:	41
Wheel load (kg):	725



4E0 601 023 D (for PAX tyres only)	
Aluminium winter rim, PR number	2WS
Size in mm:	235 x 500 A
Wheel offset (ET) in mm:	41
Wheel load (kg):	725



4E0 601 023 D (for PAX tyres only)	
Aluminium rim, PR number	C2N
Size in mm:	235 x 500 A
Wheel offset (ET) in mm:	41
Wheel load (kg):	725



Protected by copyright. Copying for private or commercial purposes, in part or in whole, is not permitted unless authorised by AUDI AG. AUDI AG does not guarantee or accept any liability with respect to the correctness of information in this document. Copyright by AUDI AG.

3 Recommended tyres - A8, type 4E

⇒ "1 Audi A8, type 4E", page 1

⇒ "3.1 Recommended summer tyres", page 52

⇒ "3.2 Recommended all-season tyres", page 52

⇒ "3.3 Recommended winter tyres", page 53

3.1 Recommended summer tyres

Size	Load index (LI)	Speed index (SI)	Extra load	PR number	Manufacturer	Tread	Remarks
235/50 R18	101	Y	XL	H5E	Dunlop	SP Sport 9000	4E0
					Pirelli	P Zero Rosso	4E0
235/55 R17	99	Y		H5D	Bridgestone	Potenza RE040	4E0
					Dunlop	SP Sport 9000	4E0
235/60 R16	100	W		H4M	Bridgestone	Potenza RE040	4E0
					Dunlop	SP Sport 9000	4E0
255/40 R19	100	Y	XL	H4L + V0A	Dunlop	SP Sport 9000	4E0
					Pirelli	P Zero Rosso	4E0
				H4L + V0R	Bridgestone	Potenza RE040	4E0
					Bridgestone	Potenza RE040	4E0
255/45 R18	99	Y	XL	H5Q + V0A	Dunlop	SP Sport 9000	4E0
					Bridgestone	Potenza RE040	4E0
				H5Q + V0R	Bridgestone	Potenza RE040	4E0
265/35 R20	99	Y	XL	HL9	Bridgestone	Potenza RE050A	4E0, S8
					Pirelli	P Zero	4E0
					Yokohama	Advan Sport	4E0
245-700 R470 A	116	H		HH6	Michelin	Pilot Primacy	PAX, special security

3.2 Recommended all-season tyres

Size	Load index (LI)	Speed index (SI)	Extra load	PR number	Manufacturer	Tread	Remarks
235/55 R17	99	H		HA7	Pirelli	P6 Four Seasons	4E
					Michelin	Pilot HX MXM4	4E
255/40 R19	100	V	XL	HT2	Pirelli	P6 Four Seasons	4E

Size	Load index (LI)	Speed index (SI)	Extra load	PR number	Manufacturer	Tread	Remarks
255/45 R18	99	H		HG7	Continental	Pro Contact	4E
					Pirelli	P6 Four Seasons	4E

3.3 Recommended winter tyres

Size	Load index (LI)	Speed index (SI)	Extra load	PR number	Manufacturer	Tread	Remarks
235/45 R19	99	H	XL	2WW	Pirelli	Winter 210 SOT-TOZERO	4E0
					Dunlop	SP Winter Sport 3D	4E0
235/50 R18	101	V	XL	2WQ	Dunlop	SP Winter Sport M3	4E0
235/55 R17	99	H		2WP	Dunlop	SP Winter Sport M3	4E0
					Pirelli	Winter 210 SOT-TOZERO	4E0
235/60 R16	100	H		2WG	Dunlop	SP Winter Sport M3	4E0
					Pirelli	Winter 210 SOT-TOZERO	4E0
255/40 R19	100	V	XL	2XS	Dunlop	SP Winter Sport M3	4E0
					Pirelli	Winter 240 SOT-TOZERO	4E0
265/35 R20	99	V	XL	2YK	Yokohama	Advan Winter V902	4E0, S8
245-700 R470 A	116	T		2WL	Michelin	Pilot Alpin	4E4, PAX, special security
245-700 R470 AC	116	T		7EM	Michelin	Pilot Alpin SA2	4E4, PAX, special security

4 Audi A8, type 4H



Caution

Rims for type 4E vehicles cannot be combined with rims for type 4H.

A8, type 4H: hub diameter 66.5 mm, bolt circle diameter 112 mm, 5 wheel bolts, 120 Nm, (PAX wheels 140 Nm)

A8, type 4E: hub diameter 57 mm, bolt circle diameter 112 mm, 5 wheel bolts, 120 Nm, (PAX wheels 140 Nm)



Note

⇒ ["1 Audi A8, type 4E", page 1](#)

⇒ ["4.1 Audi A8, type 4H \(model years 2010 to 2015\)", page 54](#)

S8, 381 kW:

⇒ ["4.2 Audi S8, type 4H \(model years 2012 - 2015\)", page 65](#)

4.1 Audi A8, type 4H (model years 2010 to 2015)

⇒ ["4 Audi A8, type 4H", page 54](#)

⇒ ["4.1.1 2.0 ltr. TFSI engine, hybrid - 155 kW", page 54](#)

⇒ ["4.1.2 3.0 ltr. FSI engine - 213 kW", page 55](#)

⇒ ["4.1.3 3.0 ltr. FSI engine - 228 kW", page 56](#)

⇒ ["4.1.4 4.0 ltr. FSI engine - 309 kW", page 57](#)

⇒ ["4.1.5 4.0 ltr. FSI engine - 320 kW", page 57](#)

⇒ ["4.1.6 4.0 ltr. FSI engine - 382 kW", page 58](#)

⇒ ["4.1.7 4.2 ltr. TFSI engine - 273 kW", page 59](#)

⇒ ["4.1.8 6.3 ltr. engine - 368 kW", page 59](#)

⇒ ["4.1.9 6.3 ltr. engine - 368 kW, PAX tyres", page 60](#)

⇒ ["4.1.10 3.0 ltr. TDI engine - 150 kW", page 61](#)

⇒ ["4.1.11 3.0 ltr. TDI engine - 155 kW", page 61](#)

⇒ ["4.1.12 3.0 ltr. TDI engine - 184 kW", page 62](#)

⇒ ["4.1.13 3.0 ltr. TDI engine - 190 kW", page 63](#)

⇒ ["4.1.14 4.2 ltr. TDI engine - 258 kW", page 64](#)

⇒ ["4.1.15 4.2 ltr. TDI engine - 283 kW", page 64](#)

4.1.1 2.0 ltr. TFSI engine, hybrid - 155 kW



Caution

It is not possible to fit the temporary spare wheel if ceramic brakes are installed.

 **Note**

- ◆ Check the available documentation to establish whether the desired rim size or wheel size is permissible for the vehicle in question.
- ◆ When fitting wheels from Audi Genuine Accessories, please also refer to the instructions in the Accessories ETKA (Z-ETKA).

A8, type 4H from model year 2010 onwards

Rim	Offset (mm)	Tyre size	Winter	Summer	Snow chains	Footnote
8 J x 18	28	235/55 R 18 104 Y XL		x	-	81) 82)
8 J x 19	33	255/45 R 19 104 Y XL		x	-	
9 J x 20	37	265/40 R 20 104 Y XL		x	-	
9 J x 19	32	255/45 R 19 103 Y XL		x	-	
9 J x 21	35	275/35 R 21 104 Y XL		x	-	
7.5 J x 18	26	235/55 R 18 104 H XL	x		front	81) 82)

XL = Extra load, reinforced


81) Not for 1LN/1LX ►► brakes; only for 17 inch 1LL/1LM and 18 inch 1LJ/1LK brakes

82) Not permissible with ceramic brakes (1LW, 1KU, etc.)

⇒ ["4 Audi A8, type 4H", page 54](#)

⇒ ["5 Rims - A8, type 4H", page 67](#)

4.1.2 3.0 ltr. FSI engine - 213 kW

 **Caution**

It is not possible to fit the temporary spare wheel if ceramic brakes are installed.

Protected by copyright. Copying for private or commercial purposes, in part or in whole, is not permitted unless authorised by AUDI AG. AUDI AG does not guarantee or accept any liability with respect to the correctness of information in this document. Copyright by AUDI AG.

 **Note**

- ◆ Check the available documentation to establish whether the desired rim size or wheel size is permissible for the vehicle in question.
- ◆ When fitting wheels from Audi Genuine Accessories, please also refer to the instructions in the Accessories ETKA (Z-ETKA).

A8, type 4H from model year 2010 onwards

Rim	Offset (mm)	Tyre size	Winter	Summer	Snow chains	Footnote
8 J x 17	30	235/60 R 17 102 Y		x	-	83) 85)
8 J x 18	28	235/55 R 18 104 Y XL		x	-	84) 85)
8 J x 19	33	255/45 R 19 104 Y XL		x	-	
9 J x 20	37	265/40 R 20 104 Y XL		x	-	
9 J x 19	32	255/45 R 19 104 Y XL		x	-	
9 J x 21	35	275/35 R 21 103 Y XL		x	-	

Rim	Offset (mm)	Tyre size	Winter	Summer	Snow chains	Footnote
7.5 J x 17	26	235/60 R 17 102 H	x		front	83) 85)
7.5 J x 18	26	235/55 R 18 104 H XL	x		front	84) 85)
7.5 J x 19	29	235/50 R 19 103 H XL	x		front	

XL = Extra load, reinforced

83) Not for 1LJ/1LK and 1LN/1LX ►► brakes; only for 17 inch 1LL/1LM brakes

84) Not for 1LN/1LX ►► brakes; only for 17 inch 1LL/1LM and 18 inch 1LJ/1LK brakes

85) Not permissible with ceramic brakes (1LW, 1KU, etc.)

⇒ ["4 Audi A8, type 4H", page 54](#)

⇒ ["5 Rims - A8, type 4H", page 67](#)

4.1.3 3.0 ltr. FSI engine - 228 kW



Caution

It is not possible to fit the temporary spare wheel if ceramic brakes are installed.



Note

- ◆ *Check the available documentation to establish whether the desired rim size or wheel size is permissible for the vehicle in question.*
- ◆ *When fitting wheels from Audi Genuine Accessories, please also refer to the instructions in the Accessories ETKA (Z-ETKA).*

Protected by copyright. Copying for private or commercial purposes, in part or in whole, is not permitted unless authorised by Audi AG. Audi AG does not guarantee or accept any liability with respect to the correctness of information in this document. Copyright by Audi AG.

A8, type 4H from model year 2010 onwards

Rim	Offset (mm)	Tyre size	Winter	Summer	Snow chains	Footnote
8 J x 17	30	235/60 R 17 102 Y		x	-	86) 88)
8 J x 18	28	235/55 R 18 104 Y XL		x	-	87) 88)
8 J x 19	33	255/45 R 19 104 Y XL		x	-	
9 J x 20	37	265/40 R 20 104 Y XL		x	-	
9 J x 19	32	255/45 R 19 104 Y XL		x	-	
9 J x 21	35	275/35 R 21 103 Y XL		x	-	
7.5 J x 17	26	235/60 R 17 102 H	x		front	86) 88)
7.5 J x 18	26	235/55 R 18 104 H XL	x		front	87) 88)
7.5 J x 19	29	235/50 R 19 103 H XL	x		front	


86) Not for 1LJ/1LK and 1LN/1LX ►► brakes; only for 17 inch 1LL/1LM brakes

87) Not for 1LN/1LX ►► brakes; only for 17 inch 1LL/1LM and 18 inch 1LJ/1LK brakes

88) Not permissible with ceramic brakes (1LW, 1KU, etc.)

XL = Extra load, reinforced

4.1.4 4.0 ltr. FSI engine - 309 kW

 **Caution**
It is not possible to fit the temporary spare wheel if ceramic brakes are installed.

 **Note**

- ◆ Check the available documentation to establish whether the desired rim size or wheel size is permissible for the vehicle in question.
 - ◆ When fitting wheels from Audi Genuine Accessories, please also refer to the instructions in the Accessories ETKA (Z-ETKA).
- Protected by copyright. Copying for private or commercial purposes, in part or in whole, is not permitted unless authorized by AUDI AG. AUDI AG does not guarantee or accept any liability with respect to the correctness of information in this document. Copyright by AUDI AG.

A8, type 4H from model year 2010 onwards

Rim	Offset (mm)	Tyre size	Winter	Summer	Snow chains	Footnote
8 J x 18	28	235/55 R 18 104 Y XL		x	-	89) 90)
8 J x 19	33	255/45 R 19 104 Y XL		x	-	
9 J x 20	37	265/40 R 20 104 Y XL		x	-	
9 J x 19	32	255/45 R 19 104 Y XL		x	-	
9 J x 21	35	275/35 R 21 103 Y XL		x	-	
7.5 J x 18	26	235/55 R 18 104 H XL	x		front	89) 90)
7.5 J x 19	29	235/50 R 19 103 H XL	x		front	

89) Not for 1LJ/1LK and 1LN/1LX ►► brakes; only for 17 inch 1LL/1LM brakes


90) Not permissible with ceramic brakes (1LW, 1KU, etc.)

XL = Extra load, reinforced

⇒ ["4 Audi A8, type 4H", page 54](#)

⇒ ["5 Rims - A8, type 4H", page 67](#)

4.1.5 4.0 ltr. FSI engine - 320 kW

 **Caution**
It is not possible to fit the temporary spare wheel if ceramic brakes are installed.

 **Note**

- ◆ Check the available documentation to establish whether the desired rim size or wheel size is permissible for the vehicle in question.
- ◆ When fitting wheels from Audi Genuine Accessories, please also refer to the instructions in the Accessories ETKA (Z-ETKA).

A8, type 4H from model year 2010 onwards

Rim	Offset (mm)	Tyre size	Winter	Summer	Snow chains	Footnote
8 J x 18	28	235/55 R 18 104 Y XL		x	-	92)
8 J x 19	33	255/45 R 19 104 Y XL		x	-	
9 J x 20	37	265/40 R 20 104 Y XL		x	-	
9 J x 19	32	255/45 R 19 104 Y XL		x	-	
9 J x 21	35	275/35 R 21 103 Y XL		x	-	
7.5 J x 18	26	235/55 R 18 104 H XL	x		front	92)
7.5 J x 19	29	235/50 R 19 103 H XL	x		front	

91) Not for 1LN/1LX ▶▶ brakes; only for 17 inch 1LL/1LM and 18 inch 1LJ/1LK brakes

92) Not permissible with ceramic brakes (1LW, 1KU, etc.)

XL = Extra load, reinforced

⇒ ["4 Audi A8, type 4H", page 54](#)

⇒ ["5 Rims - A8, type 4H ", page 67](#)

4.1.6 4.0 ltr. FSI engine - 382 kW



Caution

It is not possible to fit the temporary spare wheel if ceramic brakes are installed.



Note

- ◆ Check the available documentation to establish whether the desired rim size or wheel size is permissible for the vehicle in question.
- ◆ When fitting wheels from Audi Genuine Accessories, please also refer to the instructions in the Accessories ETKA (Z-ETKA).

A8, type 4H from model year 2010 onwards

Rim	Offset (mm)	Tyre size	Winter	Summer	Snow chains	Footnote
8 J x 18	28	235/55 R 18 104 Y XL		x	-	93) 94)
8 J x 19	33	255/45 R 19 104 Y XL		x	-	
9 J x 20	37	265/40 R 20 104 Y XL		x	-	
9 J x 19	32	255/45 R 19 104 Y XL		x	-	
9 J x 21	35	275/35 R 21 103 Y XL		x	-	
7.5 J x 18	26	235/55 R 18 104 H XL	x		front	93) 94)
7.5 J x 19	29	235/50 R 19 103 H XL	x		front	

93) Not for 1LN/1LX ▶▶ brakes; only for 17 inch 1LL/1LM and 18 inch 1LJ/1LK brakes permitted unless authorised by AUDI AG. AUDI AG does not guarantee or accept any liability

94) Not permissible with ceramic brakes (1LW, 1KU, etc.) Copyright by AUDI AG.

XL = Extra load, reinforced

⇒ ["4 Audi A8, type 4H", page 54](#)

⇒ ["5 Rims - A8, type 4H ", page 67](#)

4.1.7 4.2 ltr. TFSI engine - 273 kW

 **Caution**
It is not possible to fit the temporary spare wheel if ceramic brakes are installed.



Note

- ◆ Check the available documentation to establish whether the desired rim size or wheel size is permissible for the vehicle in question.
- ◆ When fitting wheels from Audi Genuine Accessories, please also refer to the instructions in the Accessories ETKA (Z-ETKA).

A8, type 4H from model year 2010 onwards

Rim	Offset (mm)	Tyre size	Winter	Summer	Snow chains	Footnote
8 J x 18	28	235/55 R 18 104 Y XL		x	-	95) 96)
8 J x 19	33	255/45 R 19 104 Y XL		x	-	
9 J x 20	37	265/40 R 20 104 Y XL		x	-	
9 J x 19	32	255/45 R 19 104 Y XL		x	-	
9 J x 21	35	275/35 R 21 103 Y XL		x	-	
7.5 J x 18	26	235/55 R 18 104 H XL	x		front	95) 96)
7.5 J x 19	29	235/50 R 19 103 H XL	x		front	

95) Not for 1LN/1LX ▶▶ brakes; only for 17 inch 1LL/1LM and 18 inch 1LJ/1LK brakes


96) Not permissible with ceramic brakes (1LW, 1KU, etc.)

XL = Extra load, reinforced

⇒ ["4 Audi A8, type 4H", page 54](#)

⇒ ["5 Rims - A8, type 4H ", page 67](#)

4.1.8 6.3 ltr. engine - 368 kW

 **Caution**
It is not possible to fit the temporary spare wheel if ceramic brakes are installed.

 **Note**

- ◆ *Check the available documentation to establish whether the desired rim size or wheel size is permissible for the vehicle in question.*
- ◆ *When fitting wheels from Audi Genuine Accessories, please also refer to the instructions in the Accessories ETKA (Z-ETKA).*

A8, type 4H from model year 2010 onwards

Rim	Offset (mm)	Tyre size	Winter	Summer	Snow chains	Footnote
9 J x 19	33	255/45 R 19 104 Y XL		x	-	
9 J x 20	37	265/40 R 20 104 Y XL		x	-	
9 J x 19	32	255/45 R 19 104 Y XL		x	-	
9 J x 21	35	275/35 R 21 103 Y XL		x	-	
7.5 J x 19	29	235/50 R 19 103 H XL	x		front	


XL = Extra load, reinforced

⇒ ["4 Audi A8, type 4H", page 54](#)

⇒ ["5 Rims - A8, type 4H ", page 67](#)

Protected by copyright. Copying for private or commercial purposes, in part or in whole, is not permitted unless authorised by AUDI AG. AUDI AG does not guarantee or accept any liability with respect to the correctness of information in this document. Copyright by AUDI AG.

4.1.9 6.3 ltr. engine - 368 kW, PAX tyres

 **Caution**

It is not possible to fit the temporary spare wheel if ceramic brakes are installed.

 **Note**

- ◆ *Check the available documentation to establish whether the desired rim size or wheel size is permissible for the vehicle in question.*
- ◆ *When fitting wheels from Audi Genuine Accessories, please also refer to the instructions in the Accessories ETKA (Z-ETKA).*

A8, type 4H from model year 2010 onwards

Rim	Offset (mm)	Tyre size	Winter	Summer	Snow chains	Footnote
245 x 490 A	62	255/720 R 490 AC		x	-	PAX
245 x 490	62	255/720 R 490 AC		x	-	PAX

XL = Extra load, reinforced

⇒ ["4 Audi A8, type 4H", page 54](#)

⇒ ["5 Rims - A8, type 4H ", page 67](#)

4.1.10 3.0 ltr. TDI engine - 150 kW



Caution

It is not possible to fit the temporary spare wheel if ceramic brakes are installed.

Protection of copyright for private or commercial purposes, in part or in whole, is not permitted unless authorised by AUDI AG. AUDI AG does not guarantee or accept any liability with respect to the correctness of information in this document. Copyright by AUDI AG.



Note

- ◆ *Check the available documentation to establish whether the desired rim size or wheel size is permissible for the vehicle in question.*
- ◆ *When fitting wheels from Audi Genuine Accessories, please also refer to the instructions in the Accessories ETKA (Z-ETKA).*

A8, type 4H from model year 2010 onwards

Rim	Offset (mm)	Tyre size	Winter	Summer	Snow chains	Footnote
8 J x 17	30	235/60 R 17 102 Y		x	-	99) 97)
8 J x 18	28	235/55 R 18 104 Y XL		x	-	99) 98)
9 J x 19	33	255/45 R 19 104 Y XL		x	-	
9 J x 20	37	265/40 R 20 104 Y XL		x	-	
9 J x 19	32	255/45 R 19 104 Y XL		x	-	
9 J x 21	35	275/35 R 21 103 Y XL		x	-	
7.5 J x 17	26	235/60 R 17 102 H	x		front	99) 97)
7.5 J x 18	26	235/55 R 18 104 H XL	x		front	99) 98)
7.5 J x 19	29	235/50 R 19 103 H XL	x		front	

97) Not for 1LJ/1LK and 1LN/1LX ►► brakes; only for 17 inch 1LL/1LM brakes

98) Not for 1LN/1LX ►► brakes; only for 17 inch 1LL/1LM and 18 inch 1LJ/1LK brakes

99) Not permissible with ceramic brakes (1LW, 1KU, etc.)

XL = Extra load, reinforced

⇒ ["4 Audi A8, type 4H", page 54](#)

⇒ ["5 Rims - A8, type 4H ", page 67](#)

4.1.11 3.0 ltr. TDI engine - 155 kW



Caution

It is not possible to fit the temporary spare wheel if ceramic brakes are installed.

 **Note**

- ◆ *Check the available documentation to establish whether the desired rim size or wheel size is permissible for the vehicle in question.*
- ◆ *When fitting wheels from Audi Genuine Accessories, please also refer to the instructions in the Accessories ETKA (Z-ETKA).*

A8, type 4H from model year 2010 onwards

Rim	Offset (mm)	Tyre size	Winter	Summer	Snow chains	Footnote
8 J x 17	30	235/60 R 17 102 Y		x	-	102) 100)
8 J x 18	28	235/55 R 18 104 Y XL		x	-	102) 101)
9 J x 19	33	255/45 R 19 104 Y XL		x	-	
9 J x 20	37	265/40 R 20 104 Y XL		x	-	
9 J x 19	32	255/45 R 19 104 Y XL		x	-	
9 J x 21	35	275/35 R 21 103 Y XL		x	-	
7.5 J x 17	26	235/60 R 17 102 H	x		front	100) 102)
7.5 J x 18	26	235/55 R 18 104 H XL	x		front	102) 101)
7.5 J x 19	29	235/50 R 19 103 H XL	x		front	

XL = Extra load, reinforced

100) Not for 1LJ/1LK and 1LN/1LX ►► brakes; only for 17 inch 1LL/1LM brakes


101) Not for 1LN/1LX ►► brakes; only for 17 inch 1LL/1LM and 18 inch 1LJ/1LK brakes

102) Not permissible with ceramic brakes (1LW, 1KU, etc.)

⇒ ["4 Audi A8, type 4H", page 54](#)

⇒ ["5 Rims - A8, type 4H ", page 67](#)

4.1.12 3.0 ltr. TDI engine - 184 kW

 **Caution**

It is not possible to fit the temporary spare wheel if ceramic brakes are installed.

 **Note**

- ◆ *Check the available documentation to establish whether the desired rim size or wheel size is permissible for the vehicle in question.*
- ◆ *When fitting wheels from Audi Genuine Accessories, please also refer to the instructions in the Accessories ETKA (Z-ETKA).*

Protected by copyright. Copying for private or commercial purposes, in part or in whole, is not permitted unless authorised by AUDI AG. AUDI AG does not guarantee or accept any liability for errors or omissions. Copyright by AUDI AG.

A8, type 4H from model year 2010 onwards

Rim	Offset (mm)	Tyre size	Winter	Summer	Snow chains	Footnote
8 J x 17	30	235/60 R 17 102 Y		x	-	105) 103)
8 J x 18	28	235/55 R 18 104 Y XL		x	-	105) 104)

Rim	Offset (mm)	Tyre size	Winter	Summer	Snow chains	Footnote
9 J x 19	33	255/45 R 19 104 Y XL		x	-	
9 J x 20	37	265/40 R 20 104 Y XL		x	-	
9 J x 19	32	255/45 R 19 104 Y XL		x	-	
9 J x 21	35	275/35 R 21 103 Y XL		x	-	
7.5 J x 17	26	235/60 R 17 102 H	x		front	105) 103)
7.5 J x 18	26	235/55 R 18 104 H XL	x		front	105) 104)
7.5 J x 19	29	235/50 R 19 103 H XL	x		front	

103) Not for 1LJ/1LK and 1LN/1LX ►► brakes; only for 17 inch 1LL/1LM brakes

104) Not for 1LN/1LX ►► brakes; only for 17 inch 1LL/1LM and 18 inch 1LJ/1LK brakes

105) Not permissible with ceramic brakes (1LW, 1KU, etc.)

XL = Extra load, reinforced

⇒ ["4 Audi A8, type 4H", page 54](#)

⇒ ["5 Rims - A8, type 4H", page 67](#)

4.1.13 3.0 ltr. TDI engine - 190 kW

 **Caution**
It is not possible to fit the temporary spare wheel if ceramic brakes are installed.

Protected by copyright. Copying for private or commercial purposes, in part or in whole, is not permitted unless authorised by AUDI AG. AUDI AG does not guarantee or accept any liability with respect to the correctness of information in this document. Copyright by AUDI AG.

Note

- ◆ *Check the available documentation to establish whether the desired rim size or wheel size is permissible for the vehicle in question.*
- ◆ *When fitting wheels from Audi Genuine Accessories, please also refer to the instructions in the Accessories ETKA (Z-ETKA).*

A8, type 4H from model year 2010 onwards

Rim	Offset (mm)	Tyre size	Winter	Summer	Snow chains	Footnote
8 J x 17	30	235/60 R 17 102 Y		x	-	108) 106)
8 J x 18	28	235/55 R 18 104 Y XL		x	-	108) 107)
9 J x 19	33	255/45 R 19 104 Y XL		x	-	
9 J x 20	37	265/40 R 20 104 Y XL		x	-	
9 J x 19	32	255/45 R 19 104 Y XL		x	-	
9 J x 21	35	275/35 R 21 103 Y XL		x	-	
7.5 J x 17	26	235/60 R 17 102 H	x		front	108) 106)
7.5 J x 18	26	235/55 R 18 104 H XL	x		front	108) 107)
7.5 J x 19	29	235/50 R 19 103 H XL	x		front	

106) Not for 1LJ/1LK and 1LN/1LX ►► brakes; only for 17 inch 1LL/1LM brakes

107) Not for 1LN/1LX ►► brakes; only for 17 inch 1LL/1LM and 18 inch 1LJ/1LK brakes

108) Not permissible with ceramic brakes (1LW, 1KU, etc.)

XL = Extra load, reinforced

⇒ ["4 Audi A8, type 4H", page 54](#)

⇒ ["5 Rims - A8, type 4H ", page 67](#)

4.1.14 4.2 ltr. TDI engine - 258 kW



Caution

It is not possible to fit the temporary spare wheel if ceramic brakes are installed.



Note

Protected by copyright. Copying for private or commercial purposes, in part or in whole, is not permitted unless authorised by AUDI AG. AUDI AG does not guarantee or accept any liability with respect to the correctness of information in this document. Copyright by AUDI AG.

- ◆ *Check the available documentation to establish whether the desired rim size or wheel size is permissible for the vehicle in question.*
- ◆ *When fitting wheels from Audi Genuine Accessories, please also refer to the instructions in the Accessories ETKA (Z-ETKA).*

A8, type 4H from model year 2010 onwards

Rim	Offset (mm)	Tyre size	Winter	Summer	Snow chains	Footnote
8 J x 18	28	235/55 R 18 104 Y XL		x	-	109) 110)
9 J x 19	33	255/45 R 19 104 Y XL		x	-	
9 J x 20	37	265/40 R 20 104 Y XL		x	-	
9 J x 19	32	255/45 R 19 104 Y XL		x	-	
9 J x 21	35	275/35 R 21 103 Y XL		x	-	
7.5 J x 18	26	235/55 R 18 104 H XL	x		front	109) 110)
7.5 J x 19	29	235/50 R 19 103 H XL	x		front	

109) Not for 1LN/1LX ▶▶ brakes; only for 17 inch 1LL/1LM and 18 inch 1LJ/1LK brakes

110) Not permissible with ceramic brakes (1LW, 1KU, etc.)

XL = Extra load, reinforced

⇒ ["4 Audi A8, type 4H", page 54](#)

⇒ ["5 Rims - A8, type 4H ", page 67](#)

4.1.15 4.2 ltr. TDI engine - 283 kW



Caution

It is not possible to fit the temporary spare wheel if ceramic brakes are installed.

 **Note**

- ◆ Check the available documentation to establish whether the desired rim size or wheel size is permissible for the vehicle in question.
- ◆ When fitting wheels from Audi Genuine Accessories, please also refer to the instructions in the Accessories ETKA (Z-ETKA).

A8, type 4H from model year 2010 onwards

Rim	Offset (mm)	Tyre size	Winter	Summer	Snow chains	Footnote
8 J x 18	28	235/55 R 18 104 Y XL		x	-	111) 112)
9 J x 19	33	255/45 R 19 104 Y XL		x	-	
9 J x 20	37	265/40 R 20 104 Y XL		x	-	
9 J x 19	32	255/45 R 19 104 Y XL		x	-	
9 J x 21	35	275/35 R 21 103 Y XL		x	-	
7.5 J x 18	26	235/55 R 18 104 H XL	x		front	111) 112)
7.5 J x 19	29	235/50 R 19 103 H XL	x		front	

111) Not for 1LN/1LX ►► brakes, only for 17 inch 1LL/1LM and 18 inch 1LJ/1LK brakes

112) Not permissible with ceramic brakes (1LW, 1KU, etc.)

XL = Extra load, reinforced

⇒ ["4 Audi A8, type 4H", page 54](#)

⇒ ["5 Rims - A8, type 4H", page 67](#)

4.2 Audi S8, type 4H (model years 2012 - 2015)

⇒ ["4.2.1 4.0 ltr. TFSI engine - 381 kW \(S8\)", page 65](#)

⇒ ["4 Audi A8, type 4H", page 54](#)

4.2.1 4.0 ltr. TFSI engine - 381 kW (S8)

 **Note**

- ◆ Check the available documentation to establish whether the desired rim size or wheel size is permissible for the vehicle in question.
- ◆ When fitting wheels from Audi Genuine Accessories, please also refer to the instructions in the Accessories ETKA (Z-ETKA).

S8, type 4H from model year 2012 onwards

Rim	Offset (mm)	Tyre size	Winter	Summer	Snow chains	Footnote
9 J x 20	37	265/40 R 20 104 Y XL		x	-	
9 J x 19	32	255/45 R 19 101 Y XL		x	-	
9 J x 21	35	275/35 R 21 103 Y XL		x	-	
7.5 J x 19	29	235/50 R 19 103 H XL	x		front	

XL = Extra load, reinforced

⇒ ["4 Audi A8, type 4H", page 54](#)

⇒ ["5 Rims - A8, type 4H ", page 67](#)



Protected by copyright. Copying for private or commercial purposes, in part or in whole, is not permitted unless authorised by AUDI AG. AUDI AG does not guarantee or accept any liability with respect to the correctness of information in this document. Copyright by AUDI AG.

5 Rims - A8, type 4H



Caution

Rims for type 4E vehicles cannot be combined with rims for type 4H.

A8, type 4E: hub diameter 57 mm, bolt circle diameter 112 mm, 5 wheel bolts, 120 Nm, (PAX wheels 140 Nm)

A8, type 4H: hub diameter 66.5 mm, bolt circle diameter 112 mm, 5 wheel bolts, 120 Nm, (PAX wheels 140 Nm)

⇒ ["4 Audi A8, type 4H", page 54](#)

⇒ ["5.1 7.5 J x 17 rim", page 67](#)

⇒ ["5.2 8 J x 17 rim", page 68](#)

⇒ ["5.3 7.5 J x 18 rim", page 69](#)

⇒ ["5.4 8 J x 18 rim", page 69](#)

⇒ ["5.5 7.5 J x 19 rim", page 70](#)

⇒ ["5.6 9 J x 19 rim", page 71](#)

⇒ ["5.7 9 J x 20 rim", page 73](#)

⇒ ["5.8 9 J x 21 rim", page 76](#)

⇒ ["6 Rims for PAX tyres", page 78](#)

5.1 7.5 J x 17 rim



Caution

Rims for type 4E vehicles cannot be combined with rims for type 4H.

A8, type 4E: hub diameter 57 mm, bolt circle diameter 112 mm, 5 wheel bolts, 120 Nm, (PAX wheels 140 Nm)

A8, type 4H: hub diameter 66.5 mm, bolt circle diameter 112 mm, 5 wheel bolts, 120 Nm, (PAX wheels 140 Nm)



Note

- ◆ Please use the Electronic parts catalogue ("ETKA") to order the correct rims with part number.
- ◆ When fitting wheels from Audi Genuine Accessories, please also refer to the instructions in the Accessories ETKA (Z-ETKA).

Nm	Wheel bolts	Circle dia. (mm)	Wheel hub (mm)
120	5	112	66.5

4H0 601 025 A	
Aluminium winter rim, PR number	7FB
Size:	7.5 J x 17 H2
Wheel offset (ET) in mm:	26
Wheel load (kg):	730



5.2 8 J x 17 rim

Protected by copyright. Copying for private or commercial purposes, in part or in whole, is not permitted unless authorised by AUDI AG. AUDI AG does not guarantee or accept any liability with respect to the correctness of information in this document. Copyright by AUDI AG.



Caution

Rims for type 4E vehicles cannot be combined with rims for type 4H.

A8, type 4E: hub diameter 57 mm, bolt circle diameter 112 mm, 5 wheel bolts, 120 Nm, (PAX wheels 140 Nm)

A8, type 4H: hub diameter 66.5 mm, bolt circle diameter 112 mm, 5 wheel bolts, 120 Nm, (PAX wheels 140 Nm)



Note

- ◆ Please use the Electronic parts catalogue ("ETKA") to order the correct rims with part number.
- ◆ When fitting wheels from Audi Genuine Accessories, please also refer to the instructions in the Accessories ETKA (Z-ETKA).

Nm	Wheel bolts	Circle dia. (mm)	Wheel hub (mm)
120	5	112	66.5

4H0 601 025 ►►4H0 601 025 BN	
Aluminium rim, PR number	C4T
Size:	8 J x 17 H2
Wheel offset (ET) in mm:	30
Wheel load (kg):	780



5.3 7.5 J x 18 rim



Caution

Rims for type 4E vehicles cannot be combined with rims for type 4H.

A8, type 4E: hub diameter 57 mm, bolt circle diameter 112 mm, 5 wheel bolts, 120 Nm, (PAX wheels 140 Nm)

A8, type 4H: hub diameter 66.5 mm, bolt circle diameter 112 mm, 5 wheel bolts, 120 Nm, (PAX wheels 140 Nm)

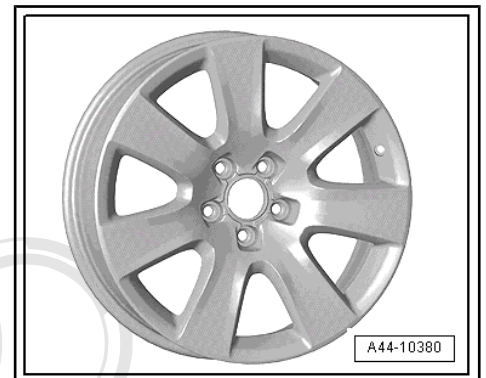


Note

- ◆ Please use the Electronic parts catalogue ("ETKA") to order the correct rims with part number.
- ◆ When fitting wheels from Audi Genuine Accessories, please also refer to the instructions in the Accessories ETKA (Z-ETKA).

Nm	Wheel bolts	Circle dia. (mm)	Wheel hub (mm)
120	5	112	66.5

4H0 601 025 B	
Aluminium winter rim, PR number	7FC
Size:	7.5 J x 18 H2
Wheel offset (ET) in mm:	26
Wheel load (kg):	780



5.4 8 J x 18 rim



Caution

Rims for type 4E vehicles cannot be combined with rims for type 4H.

A8, type 4E: hub diameter 57 mm, bolt circle diameter 112 mm, 5 wheel bolts, 120 Nm, (PAX wheels 140 Nm)

A8, type 4H: hub diameter 66.5 mm, bolt circle diameter 112 mm, 5 wheel bolts, 120 Nm, (PAX wheels 140 Nm)

... purposes, in part or in whole, is not permitted unless authorized by AUDI AG. AUDI AG does not guarantee or accept any liability with respect to the correctness of information in this document. Copyright by AUDI AG.

 **Note**

- ◆ Please use the Electronic parts catalogue ("ETKA") to order the correct rims with part number.
- ◆ When fitting wheels from Audi Genuine Accessories, please also refer to the instructions in the Accessories ETKA (Z-ETKA).

Nm	Wheel bolts	Circle dia. (mm)	Wheel hub (mm)
120	5	112	66.5

4H0 601 025 D ▶▶4H0 601 025 BH	
Aluminium rim, PR number	CD3
Size:	8 J x 18 H2
Wheel offset (ET) in mm:	28
Wheel load (kg):	780

4H0 601 025 AH	
Aluminium rim, PR number	CQ4
Size:	8 J x 18 H2
Wheel offset (ET) in mm:	28
Wheel load (kg):	780

4H0 601 025 AP	
Aluminium rim, PR number	CQ4
Size:	8 J x 18 H2
Wheel offset (ET) in mm:	28
Wheel load (kg):	780



5.5 7.5 J x 19 rim



Caution

Rims for type 4E vehicles cannot be combined with rims for type 4H.

A8, type 4E: hub diameter 57 mm, bolt circle diameter 112 mm, 5 wheel bolts, 120 Nm, (PAX wheels 140 Nm)

A8, type 4H: hub diameter 66.5 mm, bolt circle diameter 112 mm, 5 wheel bolts, 120 Nm, (PAX wheels 140 Nm)

 **Note**

- ◆ Please use the Electronic parts catalogue ("ETKA") to order the correct rims with part number.
- ◆ When fitting wheels from Audi Genuine Accessories, please also refer to the instructions in the Accessories ETKA (Z-ETKA).

Nm	Wheel bolts	Circle dia. (mm)	Wheel hub (mm)
120	5	112	66.5

4H0 601 025 C	
Aluminium winter rim, PR number	7FD / FE
Size:	7.5 J x 19 H2
Wheel offset (ET) in mm:	29
Wheel load (kg):	780



5.6 9 J x 19 rim



Caution

Rims for type 4E vehicles cannot be combined with rims for type 4H.

A8, type 4E: hub diameter 57 mm, bolt circle diameter 112 mm, 5 wheel bolts, 120 Nm, (PAX wheels 140 Nm)

A8, type 4H: hub diameter 66.5 mm, bolt circle diameter 112 mm, 5 wheel bolts, 120 Nm, (PAX wheels 140 Nm)



Note

- ◆ Please use the Electronic parts catalogue ("ETKA") to order the correct rims with part number.
- ◆ When fitting wheels from Audi Genuine Accessories, please also refer to the instructions in the Accessories ETKA (Z-ETKA).

Nm	Wheel bolts	Circle dia. (mm)	Wheel hub (mm)
120	5	112	66.5

4H0 601 025 G ►►4H0 601 025 BG	
Aluminium rim, PR number	CW3
Size:	9 J x 19 H2
Wheel offset (ET) in mm:	33
Wheel load (kg):	780



Protected by copyright. Copying for private or commercial purposes in part or in whole, is not permitted unless authorised by AUDI AG. AUDI AG does not guarantee or accept any liability with respect to the correctness of information in this document. Copyright by AUDI AG.

4H0 601 025 L ▶▶4H0 601 025 BB	
Aluminium rim, PR number	CW4
Size:	9 J x 19 H2
Wheel offset (ET) in mm:	33
Wheel load (kg):	780



4H0 601 025 R ▶▶4H0 601 025 AS	
Aluminium rim, PR number	F46
Size:	9 J x 19 H2
Wheel offset (ET) in mm:	32
Wheel load (kg):	780



4H0 601 025 AQ	
Aluminium rim, PR number	CW2
Size:	9 J x 19 H2
Wheel offset (ET) in mm:	33
Wheel load (kg):	780

4H0 601 025 AK >> 26.5.2014.▶▶4H0 601 025 CG	
Aluminium rim, PR number	C9W
Size:	9 J x 19 H2
Wheel offset (ET) in mm:	33
Wheel load (kg):	780

Protected by copyright. Copying for private or commercial purposes, in part or in whole, is not permitted unless authorised by AUDI AG. AUDI AG does not guarantee or accept any liability with respect to the correctness of information in this document. Copyright by AUDI AG.

4H0 601 025 CA	
Aluminium rim, PR number	CJ3
Size:	9 J x 19 H2
Wheel offset (ET) in mm:	32
Wheel load (kg):	780

4H0 601 025 CE	
Aluminium rim, PR number	C5H
Size:	9 J x 19 H2
Wheel offset (ET) in mm:	32
Wheel load (kg):	780

5.7 9 J x 20 rim



Caution

Rims for type 4E vehicles cannot be combined with rims for type 4H.

A8, type 4E: hub diameter 57 mm, bolt circle diameter 112 mm, 5 wheel bolts, 120 Nm, (PAX wheels 140 Nm)

A8, type 4H: hub diameter 66.5 mm, bolt circle diameter 112 mm, 5 wheel bolts, 120 Nm, (PAX wheels 140 Nm)

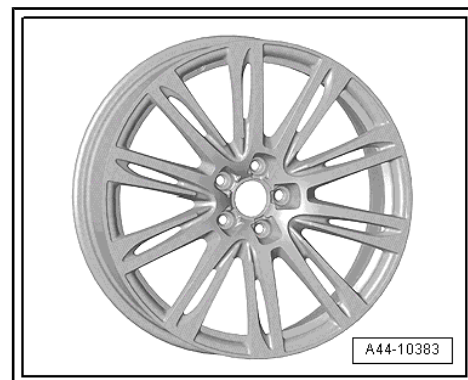


Note

- ◆ Please use the Electronic parts catalogue ("ETKA") to order the correct rims with part number.
- ◆ When fitting wheels from Audi Genuine Accessories, please also refer to the instructions in the Accessories ETKA (Z-ETKA).

Nm	Wheel bolts	Circle dia. (mm)	Wheel hub (mm)
120	5	112	66.5

4H0 601 025 N	
Aluminium rim, PR number	CP5
Size:	9 J x 20 H2
Wheel offset (ET) in mm:	37
Wheel load (kg):	780



4H0 601 025 AA	
Aluminium rim, PR number	CE6
Size:	9 J x 20 H2
Wheel offset (ET) in mm:	37
Wheel load (kg):	730



4H0 601 025 AB	
Aluminium rim, PR number	CV6
Size:	9 J x 20 H2
Wheel offset (ET) in mm:	37
Wheel load (kg):	730




4H0 601 025 AE	
Aluminium rim, PR number	F27
Size:	9 J x 20 H2
Wheel offset (ET) in mm:	37
Wheel load (kg):	780



4H0 601 025 AG	
Aluminium winter rim, PR number	7BG
Size:	9 J x 20 H2
Wheel offset (ET) in mm:	37
Wheel load (kg):	780

4H0 601 025 AL	
Aluminium rim, PR number	CJ4
Size:	9 J x 20 H2
Wheel offset (ET) in mm:	37
Wheel load (kg):	780

4H0 601 025 AN	
Aluminium rim, PR number	CN7
Size:	9 J x 20 H2
Wheel offset (ET) in mm:	37
Wheel load (kg):	780

 **Caution**

Rims for type 4E vehicles cannot be combined with rims for type 4H.

A8, type 4E: hub diameter 57 mm, bolt circle diameter 112 mm, 5 wheel bolts, 120 Nm, (PAX wheels 140 Nm)

A8, type 4H: hub diameter 66.5 mm, bolt circle diameter 112 mm, 5 wheel bolts, 120 Nm, (PAX wheels 140 Nm)

Copyright © Audi AG. Copying for private or commercial purposes, in part or in whole, is not permitted unless authorised by AUDI AG. AUDI AG does not guarantee or accept any liability with respect to the correctness of information in this document. Copyright by AUDI AG.

4H0 601 025 T >> 28.01.2013 ►► 4H0 601 025 BF	
Aluminium rim, PR number	CE5
Size:	9 J x 20 H2
Wheel offset (ET) in mm:	37
Wheel load (kg):	780


4H0 601 025 BL	
Aluminium winter rim, PR number	7BH
Size:	9 J x 20 H2
Wheel offset (ET) in mm:	37
Wheel load (kg):	780

4H0 601 025 J >> 17.6.2013 ►► 4H0 601 025 BL	
Aluminium rim, PR number	CS8
Size:	9 J x 20 H2
Wheel offset (ET) in mm:	37
Wheel load (kg):	780

4H0 601 025 BR	
Aluminium rim, PR number	V76
Size:	9 J x 20 H2
Wheel offset (ET) in mm:	37
Wheel load (kg):	780

4H0 601 025 BS	
Aluminium rim, PR number	V77
Size:	9 J x 20 H2
Wheel offset (ET) in mm:	37
Wheel load (kg):	780

4H0 601 025 BT	
Aluminium rim, PR number	V78
Size:	9 J x 20 H2
Wheel offset (ET) in mm:	37
Wheel load (kg):	780

	Caution
<i>Rims for type 4E vehicles cannot be combined with rims for type 4H.</i>	
<i>A8, type 4E: hub diameter 57 mm, bolt circle diameter 112 mm, 5 wheel bolts, 120 Nm, (PAX wheels 140 Nm)</i>	
<i>A8, type 4H: hub diameter 66.5 mm, bolt circle diameter 112 mm, 5 wheel bolts, 120 Nm, (PAX wheels 140 Nm)</i>	



4H0 601 025 CB	
Aluminium rim, PR number	CS5
Size:	9 J x 20 H2
Wheel offset (ET) in mm:	37
Wheel load (kg):	780

4H0 601 025 CC	
Aluminium rim, PR number	CT1
Size:	9 J x 20 H2
Wheel offset (ET) in mm:	37
Wheel load (kg):	780

4H0 601 025 CL	
Aluminium rim, PR number	F08
Size:	9 J x 20 H2
Wheel offset (ET) in mm:	37
Wheel load (kg):	780

5.8 9 J x 21 rim



Caution

Rims for type 4E vehicles cannot be combined with rims for type 4H.

A8, type 4E: hub diameter 57 mm, bolt circle diameter 112 mm, 5 wheel bolts, 120 Nm, (PAX wheels 140 Nm)

A8, type 4H: hub diameter 66.5 mm, bolt circle diameter 112 mm, 5 wheel bolts, 120 Nm, (PAX wheels 140 Nm)

protected by copyright. Copying for private or commercial purposes, in part or in whole, is not permitted unless authorised by AUDI AG. AUDI AG does not guarantee or accept any liability with respect to the correctness of information in this document. Copyright by AUDI AG.



Note

- ◆ *Please use the Electronic parts catalogue ("ETKA") to order the correct rims with part number.*
- ◆ *When fitting wheels from Audi Genuine Accessories, please also refer to the instructions in the Accessories ETKA (Z-ETKA).*

Nm	Wheel bolts	Circle dia. (mm)	Wheel hub (mm)
120	5	112	66.5

4H0 601 025 AC ►► 4H0 601 025 BA	
Aluminium rim, PR number	F25
Size:	9 J x 21 H2
Wheel offset (ET) in mm:	35
Wheel load (kg):	780

4H0 601 025 AR	
Aluminium rim, PR number	F47
Size:	9 J x 21 H2
Wheel offset (ET) in mm:	35
Wheel load (kg):	745

4H0 601 025 AT	
Aluminium rim, PR number	F29
Size:	9 J x 21 H2
Wheel offset (ET) in mm:	35
Wheel load (kg):	780

4H0 601 025 P >> 15.7.2013 ►► 4H0 601 025 BM	
Aluminium rim, PR number	F11
Size:	9 J x 21 H2
Wheel offset (ET) in mm:	35
Wheel load (kg):	745



Protected by copyright. Copying for private or commercial purposes, in part or in whole, is not permitted unless authorised by AUDI AG. AUDI AG does not guarantee or accept any liability with respect to the correctness of information in this document. Copyright by AUDI AG.

6 Rims for PAX tyres



Caution

Rims for type 4E vehicles cannot be combined with rims for type 4H.

A8, type 4E: hub diameter 57 mm, bolt circle diameter 112 mm, 5 wheel bolts, 120 Nm, (PAX wheels 140 Nm)

A8, type 4H: hub diameter 66.5 mm, bolt circle diameter 112 mm, 5 wheel bolts, 120 Nm, (PAX wheels 140 Nm)

⇒ [“6.1 Summer rims for PAX tyres”, page 78](#)

⇒ [“6.2 Winter rims for PAX tyres”, page 79](#)

⇒ [“6.3 Winter rims for PAX studded tyres”, page 79](#)

⇒ [“6.4 Rims for special security vehicles”, page 80](#)

6.1 Summer rims for PAX tyres



Caution

Rims for type 4E vehicles cannot be combined with rims for type 4H.

A8, type 4E: hub diameter 57 mm, bolt circle diameter 112 mm, 5 wheel bolts, 120 Nm, (PAX wheels 140 Nm)

A8, type 4H: hub diameter 66.5 mm, bolt circle diameter 112 mm, 5 wheel bolts, 120 Nm, (PAX wheels 140 Nm)




Note

Please use the Electronic parts catalogue (“ETKA”) to order the correct rims with part number.

4H6 601 020 (for PAX tyres only)	
PAX aluminium rim, PR number	F58 + 7K3
Size in mm:	245 x 490 A
Wheel offset (ET) in mm:	62
Tyre size:	255/720 R 490 AC

4H6 601 020 A (for PAX tyres only)	
PAX aluminium rim, PR number	F58 + 7K4
Size in mm:	245 x 490 A
Wheel offset (ET) in mm:	62
Tyre size:	255/720 R 490 AC


6.2 Winter rims for PAX tyres

 **Caution**

Rims for type 4E vehicles cannot be combined with rims for type 4H.

A8, type 4E: hub diameter 57 mm, bolt circle diameter 112 mm, 5 wheel bolts, 120 Nm, (PAX wheels 140 Nm)

A8, type 4H: hub diameter 66.5 mm, bolt circle diameter 112 mm, 5 wheel bolts, 120 Nm, (PAX wheels 140 Nm)


 **Note** not permitted unless authorised by AUDI AG. AUDI AG does not guarantee or accept any liability with respect to the correctness of information in this document. Copyright by AUDI AG.

Please use the Electronic parts catalogue ("ETKA") to order the correct rims with part number.

4H6 601 020 B (for PAX tyres only)	
PAX aluminium rim, PR number	2WD + 7K3
Size in mm:	245 x 490 A
Wheel offset (ET) in mm:	62
Tyre size:	245/710 R 490 AC

4H6 601 020 C (for PAX tyres only)	
PAX aluminium rim, PR number	2WD + 7K4
Size in mm:	245 x 490 A
Wheel offset (ET) in mm:	62
Tyre size:	245/710 R 490 AC

6.3 Winter rims for PAX studded tyres

 **Caution**

Rims for type 4E vehicles cannot be combined with rims for type 4H.

A8, type 4E: hub diameter 57 mm, bolt circle diameter 112 mm, 5 wheel bolts, 120 Nm, (PAX wheels 140 Nm)

A8, type 4H: hub diameter 66.5 mm, bolt circle diameter 112 mm, 5 wheel bolts, 120 Nm, (PAX wheels 140 Nm)

 **Note**

Please use the Electronic parts catalogue ("ETKA") to order the correct rims with part number.

4H6 601 020 D (for PAX tyres only)	
PAX aluminium rim, PR number	2WE + 7K3
Size in mm:	245 x 490 A
Wheel offset (ET) in mm:	62
Tyre size:	245 / 710 R 490 AC

4H6 601 020 E (for PAX tyres only)	
PAX aluminium rim, PR number	2WE + 7K4
Size in mm:	245 x 490 A
Wheel offset (ET) in mm:	62
Tyre size:	245 / 710 R 490 AC

6.4 Rims for special security vehicles



Caution

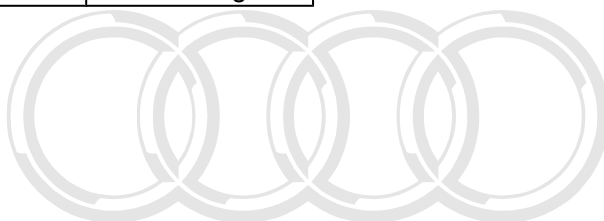
Rims for type 4E vehicles cannot be combined with rims for type 4H.

A8, type 4E: hub diameter 57 mm, bolt circle diameter 112 mm, 5 wheel bolts, 120 Nm, (PAX wheels 140 Nm)

A8, type 4H: hub diameter 66.5 mm, bolt circle diameter 112 mm, 5 wheel bolts, 120 Nm, (PAX wheels 140 Nm)

4H6 601 023 (for PAX tyres only)	
PAX aluminium rim, PR number	F58
Size in mm:	245 x 490 A
Wheel offset (ET) in mm:	62
Maximum load rating of rim:	1175 kg

4H6 601 023 (for PAX tyres only)	
PAX aluminium winter rim, PR number	2WD + 2WE
Size in mm:	245 x 490 A
Wheel offset (ET) in mm:	62
Maximum load rating of rim:	1175 kg



Audi

Protected by copyright. Copying for private or commercial purposes, in part or in whole, is not permitted unless authorised by AUDI AG. AUDI AG does not guarantee or accept any liability with respect to the correctness of information in this document. Copyright by AUDI AG.

7 Recommended tyres - A8, type 4H

⇒ ["4 Audi A8, type 4H", page 54](#)

⇒ ["5 Rims - A8, type 4H ", page 67](#)

⇒ ["7.1 Recommended summer tyres", page 81](#)

⇒ ["7.2 Recommended all-season tyres", page 81](#)

⇒ ["7.3 Recommended winter tyres", page 81](#)

7.1 Recommended summer tyres

Size	Load index (LI)	Speed index (SI)	Extra load	PR number	Manufacturer	Tread	Re- marks
235/55 R18	104	Y	XL	H18	Goodyear	Efficient Grip	4H
					Continental	Premium Contact 2	4H
235/60 R17	102	Y		H17	Continental	Premium Contact 2	4H
255/45 R19	104	Y	XL	H30	Continental	Excellence	4H
				H19	Continental	ContiSportContact 3	4H
					Pirelli	P Zero	4H
					Goodyear	EAGLE F1 ASYMMETRIC	4H
265/40 R20	104	Y	XL	H20 + V0A	Pirelli	P Zero	4H
				H20 + V0A	Goodyear	EAGLE F1 ASYMMETRIC	4H
				H20 + V0L	Goodyear	EAGLE F1 ASYMMETRIC	4H
245-700 R470 A	116	H		HH6	Michelin	Pilot Primacy	PAX, special security

7.2 Recommended all-season tyres

Size	Load index (LI)	Speed index (SI)	Extra load	PR number	Manufacturer	Tread	Remarks
235/55 R18	104	H	XL	H22	Goodyear	Eagle LS2	4H
255/45 R19	104	H	XL	H23	Continental	Pro Contact	4H

7.3 Recommended winter tyres

Size	Load index (LI)	Speed index (SI)	Extra load	PR number	Manufacturer	Tread	Remarks
235/50 R19	103	H	XL	7FE	Dunlop	SP Winter Sport 3D	4H
				7FD	Dunlop	SP Winter Sport 3D	4H
235/55 R18	104	H	XL	7FC	Dunlop	SP Winter Sport 3D	4H



Size	Load index (LI)	Speed index (SI)	Extra load	PR number	Manufacturer	Tread	Remarks
235/60 R17	102	H		7FB	Bridgestone	Blizzak LM 25	4H
					Dunlop	SP Winter Sport 3D	4H
265/40 R20	104	V		7BG	Dunlop	SP Winter Sport 3D	4H



Audi

Protected by copyright. Copying for private or commercial purposes, in part or in whole, is not permitted unless authorised by AUDI AG. AUDI AG does not guarantee or accept any liability with respect to the correctness of information in this document. Copyright by AUDI AG.

8 Tyre pressures

⇒ [“4 Audi A8, type 4H”, page 54](#)

⇒ [“8.1 Tyre pressures - A8, type 4H”, page 83](#)

8.1 Tyre pressures - A8, type 4H

⇒ [“8.1.1 3.0 ltr. TFSI engine - 213 kW”, page 83](#)

⇒ [“8.1.2 4.2 ltr. FSI engine - 273 kW”, page 84](#)

⇒ [“8.1.3 4.0 ltr. TFSI engine - 309 kW”, page 84](#)

⇒ [“8.1.4 4.0 ltr. TFSI engine - 382 kW \(S8\)”, page 85](#)

⇒ [“8.1.5 6.3 ltr. FSI engine - 368 kW”, page 85](#)

⇒ [“8.1.6 2.0 ltr. TFSI engine - 155 kW \(hybrid\)”, page 86](#)

⇒ [“8.1.7 3.0 ltr. TDI engine - 184 kW”, page 86](#)

⇒ [“8.1.8 4.2 ltr. TDI engine - 250 kW”, page 87](#)

8.1.1 3.0 ltr. TFSI engine - 213 kW



Note

- ◆ *The specified tyre pressures are listed on the sticker in the vehicle; these figures can be taken as correct.*
- ◆ *If there is no tyre pressure sticker in the vehicle, it must be ordered ⇒ Electronic parts catalogue .*

3.0 ltr. TFSI engine - 213 kW	Partly laden (bar)		Fully laden (bar)	
	front	rear	front	rear
235/60 R17 102Y	2.2	2.0	2.4	2.5
235/60 R17 102H M+S	2.2	2.0	2.4	2.5
235/55 R18 104Y XL	2.4	2.1	2.5	2.6
235/55 R18 104H XL M+S	2.4	2.1	2.5	2.6
235/50 R19 103H XL M+S	2.4	2.1	2.5	2.6
255/45 R19 104Y XL	2.4	2.1	2.5	2.5
265/40 R20 104Y XL	2.4	2.1	2.5	2.5
265/40 R20 104V XL M+S	2.5	2.3	2.7	2.8
Temp. spare wheel T145/80 R19	4.2	4.2	4.2	4.2

XL = Extra load, reinforced

8.1.2 4.2 ltr. FSI engine - 273 kW

Note

- ◆ *The specified tyre pressures are listed on the sticker in the vehicle; these figures can be taken as correct.*
- ◆ *If there is no tyre pressure sticker in the vehicle, it must be ordered ⇒ Electronic parts catalogue .*

4.2 ltr. FSI engine - 273 kW	Partly laden (bar)		Fully laden (bar)	
	front	rear	front	rear
Size				
235/55 R18 104Y XL	2.4	2.1	2.5	2.6
235/55 R18 104H XL M+S	2.4	2.1	2.5	2.6
235/50 R19 103H XL M+S	2.4	2.1	2.5	2.6
255/45 R19 104Y XL	2.4	2.1	2.5	2.5
265/40 R20 104Y XL	2.4	2.1	2.5	2.5
265/40 R20 104V XL M+S	2.5	2.3	2.7	2.8
Temp. spare wheel T165/60 R20	4.2	4.2	4.2	4.2
Temp. spare wheel T145/80 R19	4.2	4.2	4.2	4.2

XL = Extra load, reinforced

8.1.3 4.0 ltr. TFSI engine - 309 kW

Note

- ◆ *The specified tyre pressures are listed on the sticker in the vehicle; these figures can be taken as correct.*
- ◆ *If there is no tyre pressure sticker in the vehicle, it must be ordered ⇒ Electronic parts catalogue .*

4.0 ltr. TFSI engine - 309 kW	Partly laden (bar)		Fully laden (bar)	
	front	rear	front	rear
Size				
235/60 R17 102Y	2.2	2.0	2.4	2.5
235/60 R17 102H M+S	2.2	2.0	2.4	2.5
235/55 R18 104Y XL	2.4	2.1	2.5	2.6
235/55 R18 104H XL M+S	2.4	2.1	2.5	2.6
235/50 R19 103H XL M+S	2.4	2.1	2.5	2.6
255/45 R19 104Y XL	2.4	2.1	2.5	2.5

4.0 ltr. TFSI engine - 309 kW	Partly laden (bar)		Fully laden (bar)	
	front	rear	front	rear
265/40 R20 104Y XL	2.4	2.1	2.5	2.5
265/40 R20 104V XL M+S	2.5	2.3	2.7	2.8
Temp. spare wheel T165/60 R20	4.2	4.2	4.2	4.2
Temp. spare wheel T145/80 R19	4.2	4.2	4.2	4.2

XL = Extra load, reinforced

8.1.4 4.0 ltr. TFSI engine - 382 kW (S8)

by Audi AG. Audi AG does not guarantee or accept any liability with respect to the correctness of information in this document. Copyright by AUDI AG.

Note

- ◆ *The specified tyre pressures are listed on the sticker in the vehicle; these figures can be taken as correct.*
- ◆ *If there is no tyre pressure sticker in the vehicle, it must be ordered ⇒ Electronic parts catalogue .*

4.0 ltr. TFSI engine - 382 kW (S8)	Partly laden (bar)		Fully laden (bar)	
	front	rear	front	rear
235/50 R19 103H XL M+S	2.5	2.1	2.7	2.5
265/40 R20 104Y XL	2.5	2.1	2.7	2.5
265/40 R20 104V XL M+S	2.7	2.3	2.9	2.7
265/35 R21 101Y XL	2.7	2.3	2.9	2.7
Temp. spare wheel T165/60 R20	4.2	4.2	4.2	4.2

XL = Extra load, reinforced

8.1.5 6.3 ltr. FSI engine - 368 kW

Note

- ◆ *The specified tyre pressures are listed on the sticker in the vehicle; these figures can be taken as correct.*
- ◆ *If there is no tyre pressure sticker in the vehicle, it must be ordered ⇒ Electronic parts catalogue .*

6.3 ltr. FSI engine - 368 kW	Partly laden (bar)		Fully laden (bar)	
	front	rear	front	rear
235/50 R19 103H XL M+S	2.6	2.2	2.8	2.6

6.3 ltr. FSI engine - 368 kW	Partly laden (bar)		Fully laden (bar)	
	front	rear	front	rear
255/40 R19 104Y XL	2.6	2.2	2.8	2.6
265/40 R20 104V XL	2.6	2.2	2.8	2.6
265/40 R21 104V XL M+S	2.8	2.3	3.0	2.8
Temp. spare wheel T165/60 R20	4.2	4.2	4.2	4.2

XL = Extra load, reinforced

8.1.6 2.0 ltr. TFSI engine - 155 kW (hybrid)



Note

Protected by copyright. Copying for private or commercial purposes, in part or in whole, is not permitted without the prior written consent of Audi AG. Copyright by AUDI AG.

- ◆ *The specified tyre pressures are listed on the sticker in the vehicle; these figures can be taken as correct.*
- ◆ *If there is no tyre pressure sticker in the vehicle, it must be ordered → Electronic parts catalogue .*

2.0 ltr. TFSI engine - 155 kW (hybrid)	Partly laden (bar)		Fully laden (bar)	
	front	rear	front	rear
Size				
235/55 R18 104Y XL	2.4	2.1	2.5	2.6
235/55 R18 104H XL M+S	2.4	2.1	2.5	2.6
255/45 R19 104Y XL	2.4	2.1	2.5	2.6
265/40 R20 104V XL M+S	2.4	2.1	2.5	2.6

XL = Extra load, reinforced

8.1.7 3.0 ltr. TDI engine - 184 kW



Note

- ◆ *The specified tyre pressures are listed on the sticker in the vehicle; these figures can be taken as correct.*
- ◆ *If there is no tyre pressure sticker in the vehicle, it must be ordered → Electronic parts catalogue .*

3.0 ltr. TDI engine - 184 kW	Partly laden (bar)		Fully laden (bar)	
	front	rear	front	rear
Size				
235/60 R17 102Y	2.3	2.1	2.5	2.6
235/60 R17 102H M+S	2.3	2.1	2.5	2.6
235/55 R18 104Y XL	2.5	2.2	2.6	2.7
235/55 R18 104H XL M+S	2.5	2.2	2.6	2.7

3.0 ltr. TDI engine - 184 kW	Partly laden (bar)		Fully laden (bar)	
235/50 R19 103H XL M+S	2.5	2.2	2.6	2.7
255/45 R19 104Y XL	2.5	2.2	2.6	2.7
265/40 R20 104Y XL	2.5	2.2	2.6	2.7
265/40 R20 104V XL M+S	2.6	2.4	2.8	2.9
Temp. spare wheel T145/80 R19	4.2	4.2	4.2	4.2

XL = Extra load, reinforced

8.1.8 4.2 ltr. TDI engine - 250 kW



Note

- ◆ *The specified tyre pressures are listed on the sticker in the vehicle; these figures can be taken as correct.*
- ◆ *If there is no tyre pressure sticker in the vehicle, it must be ordered ⇒ Electronic parts catalogue .*

4.2 ltr. TDI engine - 250 kW	Partly laden (bar)		Fully laden (bar)	
	front	rear	front	rear
Size				
235/55 R18 104H XL M+S	2.6	2.2	2.8	2.8
235/55 R18 104Y XL	2.7	2.3	2.9	2.8
235/50 R19 103H XL M+S	2.7	2.3	2.9	2.8
255/45 R19 104Y XL	2.7	2.3	2.9	2.8
265/40 R20 104Y XL	2.7	2.3	2.9	2.8
265/40 R20 104V XL M+S	2.9	2.4	3.1	3.0
Temp. spare wheel T165/60 R20	4.2	4.2	4.2	4.2
Temp. spare wheel T145/80 R19	4.2	4.2	4.2	4.2

XL = Extra load, reinforced