

## Removing and installing window frame trim

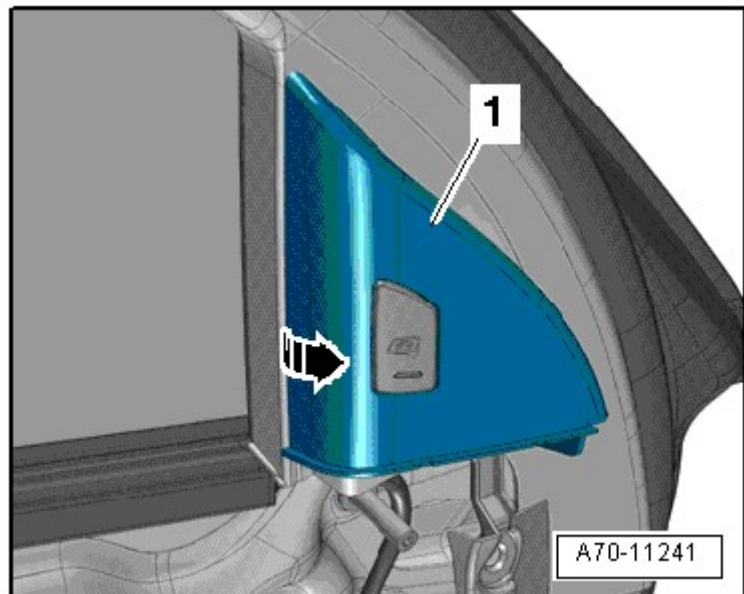
Special tools and workshop equipment required

t Removal wedge -3409-



## Removing

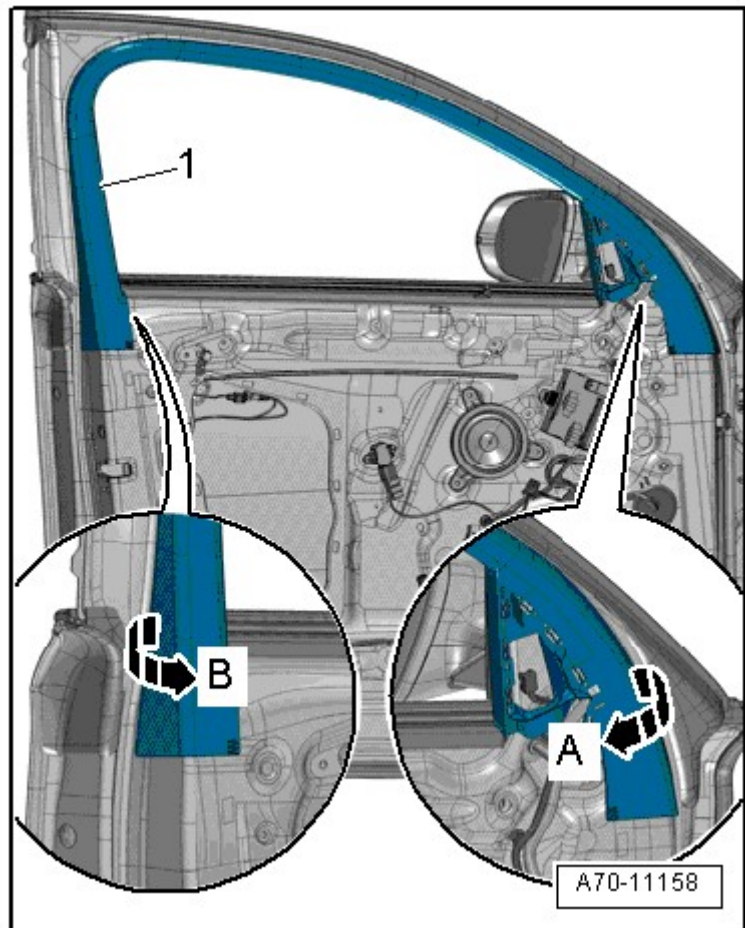
- Lower door window.
- Remove door trim (front)
  - [Chapter](#).
- Carefully prise cover -1- for mirror base off door -arrow- using removal wedge -3409-.
- Unplug electrical connector for button for lane change assist -E530 - and detach.



- Working from bottom front to top rear, carefully prise off trim -1- for window frame working along window guide -arrow A- with removal wedge -3409-.

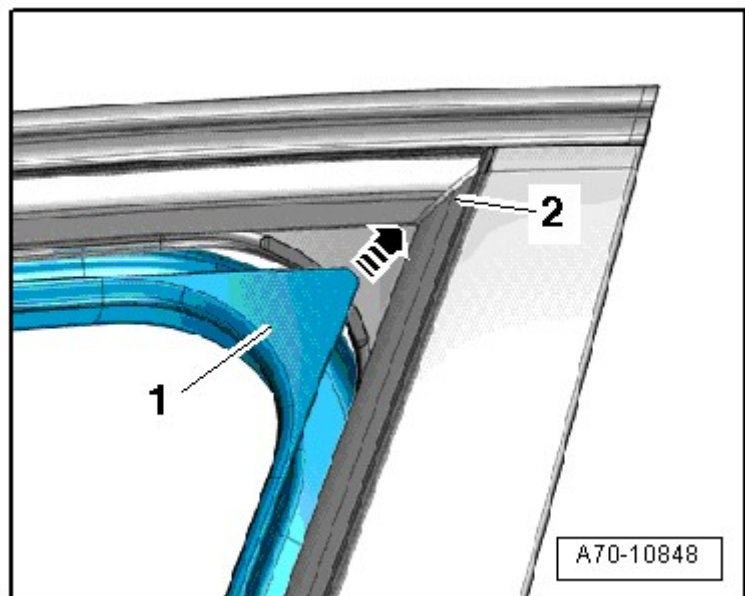
- Then prise off window frame trim at bottom rear with removal wedge -3409-, working carefully along length of window guide -arrow B-.

- Pull window frame trim downwards off window frame and detach.



### Installing

- Insert trim -1- for window frame in window guide -2- at top rear - arrow-.
- Install window frame trim over entire length of window guide.



- Peel protective film -2- off adhesive pad -1-.
- Press window frame trim -3- firmly onto the door frame at front bottom.

Perform remaining installation steps in reverse order of removal; observe the following:

Notes for installation: tightening torques, renewing components etc.  
→ [Chapter „Exploded view - door trim \(front\)“](#)

