

Audi A8

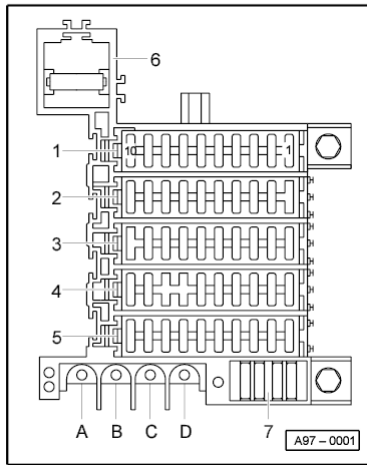
Current Flow Diagram

No. 23

Headlights with gas discharge lamps

Model year 1997

Fuse box

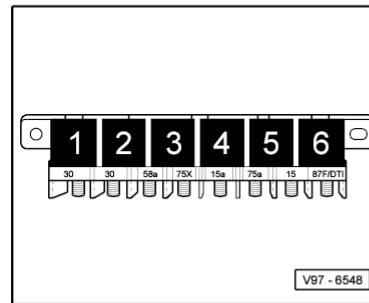


Fuse colours:

- 30 A - green
- 25 A - white
- 20 A - yellow
- 15 A - blue
- 10 A - red
- 5 A - beige

- 1-Fuse carrier 1 (ST1), black
 - 2-Fuse carrier 1 (ST2), red
 - 3-Fuse carrier 1 (ST3), yellow
 - 4-Fuse carrier 1 (ST4), blue
 - 5-Fuse carrier 1 (ST5), brown
 - 6-Radiator fan fuse (S42)
 - 7-Spare fuses
- A, B, C, D - Screwed junctions

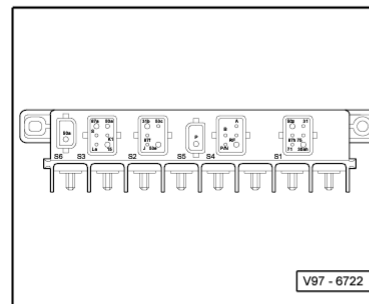
Central electrics - front side



Position of relays:

- 1** -X contact relief relay (J59)
- 4** -Starter inhibitor relay (J207)

Central electrics - rear side

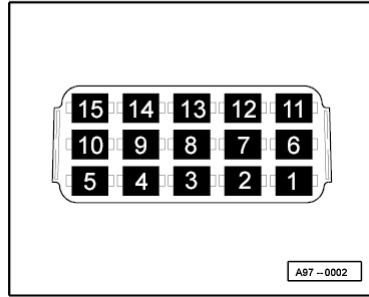


Audi A8

Current Flow Diagram

No. 23/1

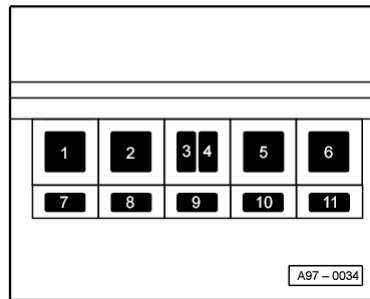
Relay carrier, electronics box, front passenger's footwell



Position of relays:

- 1** - Bulb monitoring device (J123)
- 6** - Bulb monitoring device (J123)

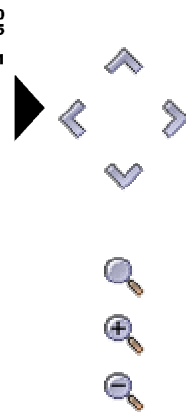
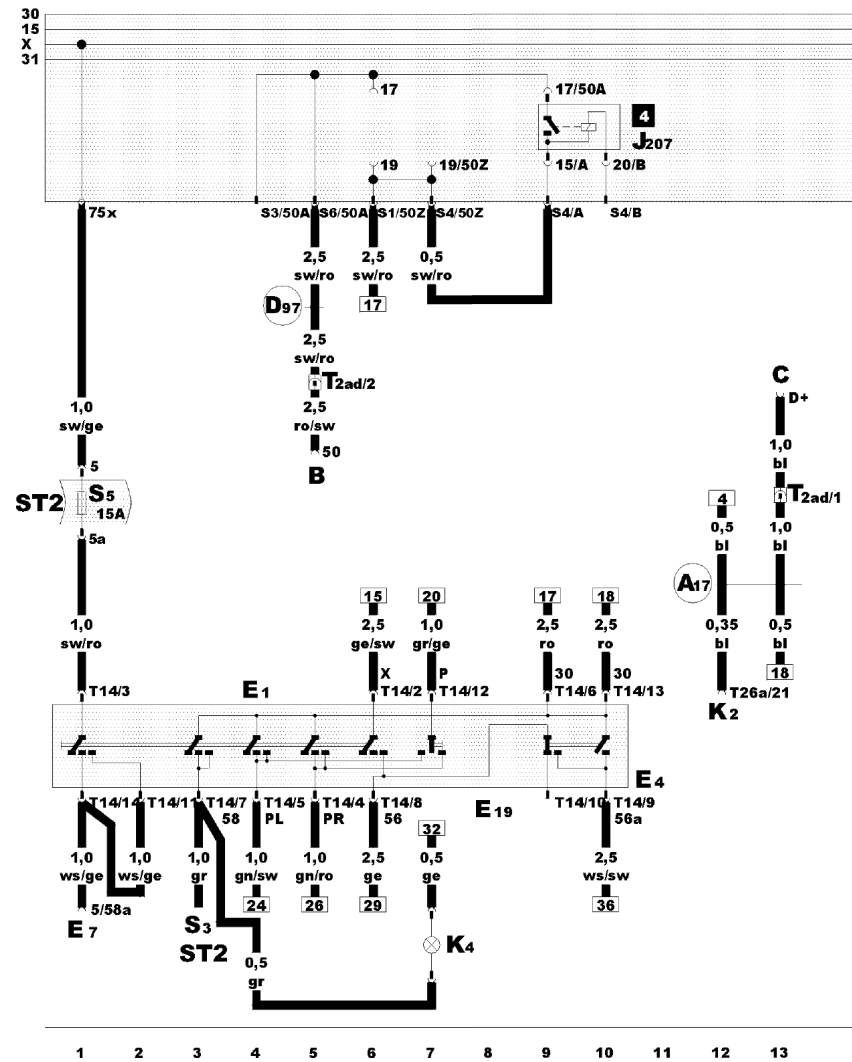
Auxiliary fuse and relay carrier, electronics box, front passenger's footwell



Audi A8

Current Flow Diagram

No. 23 / 2



Headlights with gas discharge lamps

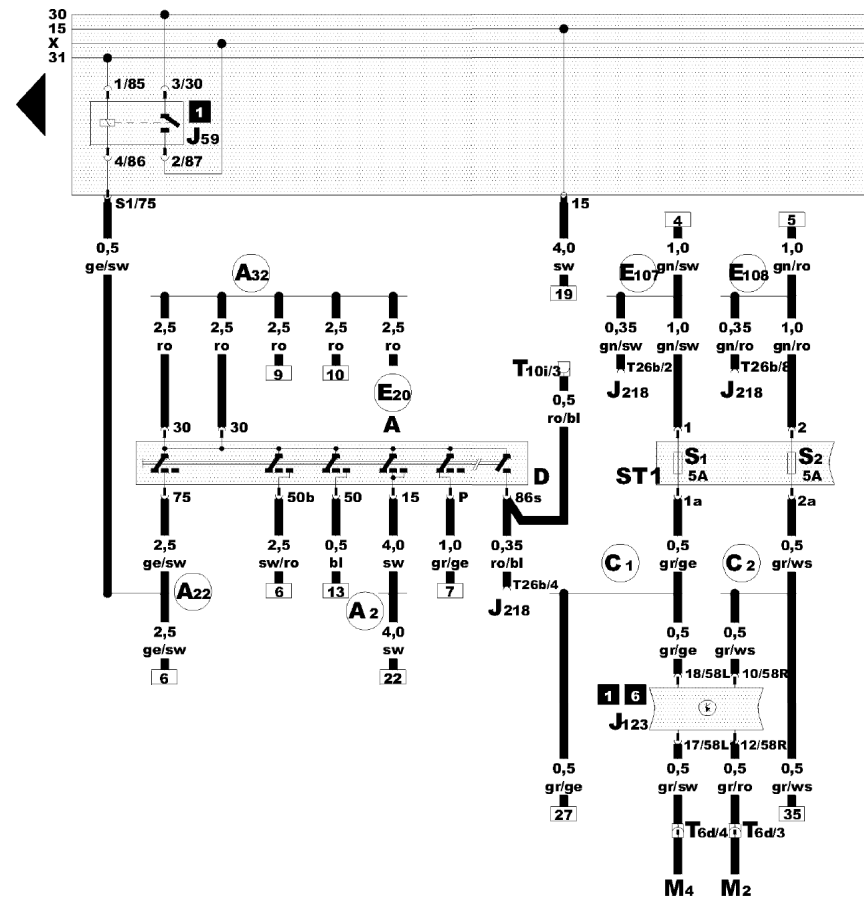
- B - Starter
- C - Alternator
- E1 - Lighting switch
- E4 - Headlight dipper/flasher switch
- E7 - Fog light switch
- E19 - Parking light switch
- J207 - Starter inhibitor relay
- K2 - Alternator warning lamp
- K4 - Side light warning lamp
- S3 - Fuse in fuse carrier
- S5 - Fuse in fuse carrier
- T2ad - 2-pin connector, black, near alternator, in engine compartment, front right
- T14 - 14-pin connector, purple, behind steering column switch trim
- T26a - 26-pin connector, green, on dash panel insert
- A17 - Connection (61), in dash panel wiring harness
- D97 - Connection (50), in engine compartment wiring harness, right

ws = white
 sw = black
 ro = red
 rt = red
 br = brown
 gn = green
 bl = blue
 gr = grey
 li = purple
 vi = purple
 ge = yellow
 or = orange
 rs = pink

Audi A8

Current Flow Diagram

No. 23 / 3



ws = white
 sw = black
 ro = red
 rt = red
 br = brown
 gn = green
 bl = blue
 gr = grey
 li = purple
 vi = purple
 ge = yellow
 or = orange
 rs = pink

Headlights with gas discharge lamps

- A - Battery
- D - Ignition/starter switch
- J59 - X contact relief relay
- J123 - Bulb monitoring device
- J218 - Combi-processor in dash panel insert
- M2 - Tail light bulb, right
- M4 - Tail light bulb, left
- S1 - Fuse in fuse carrier
- S2 - Fuse in fuse carrier
- T6d - 6-pin connector, white, connector point, wheelhouse, right
- T10i - 10-pin connector, yellow, in centre console
- T26b - 26-pin connector, yellow, on dash panel insert
- A2 - Positive (+) connection (15), in dash panel wiring harness
- A22 - Connection (75s), in dash panel wiring harness
- A32 - Positive (+) connection (30), in dash panel wiring harness
- C1 - Positive (+) connection (58L), in front left wiring harness
- C2 - Positive (+) connection (58R), in front left wiring harness
- E20 - Positive (+) connection (30), in Motronic wiring harness
- E107 - Connection (left-hand parking light), in dash panel wiring harness
- E108 - Connection (right-hand parking light), in dash panel wiring harness

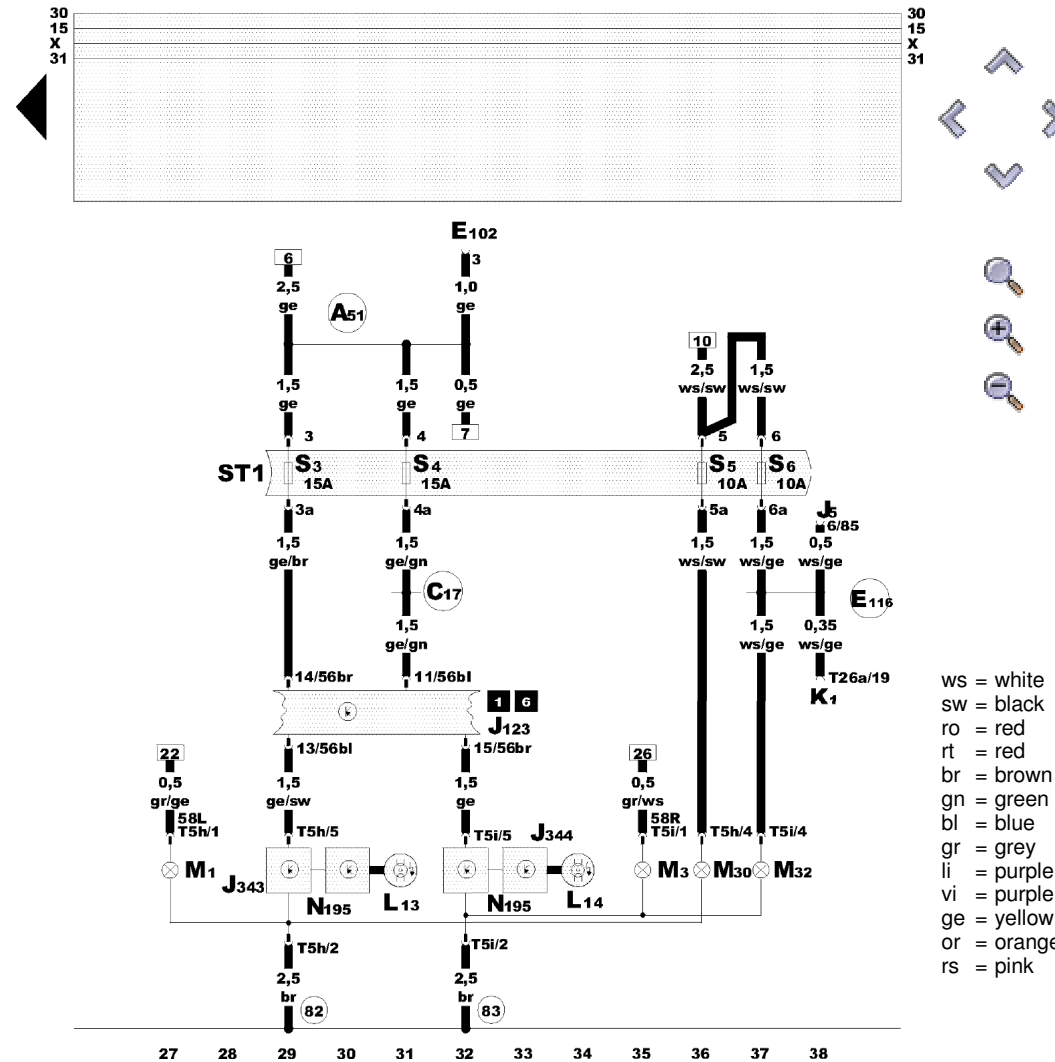
14 15 16 17 18 19 20 21 22 23 24 25 26

97-18479

Audi A8

Current Flow Diagram

No. 23 / 4



ws = white
 sw = black
 ro = red
 rt = red
 br = brown
 gn = green
 bl = blue
 gr = grey
 li = purple
 vi = purple
 ge = yellow
 or = orange
 rs = pink

Headlights with gas discharge lamps

- E102 - Headlight range control adjuster
- J5 - Fog light relay
- J123 - Bulb monitoring device
- J343 - Left gas discharge lamp control unit
- J344 - Right gas discharge lamp control unit
- K1 - Main beam warning lamp
- L13 - Left gas discharge lamp
- L14 - Right gas discharge lamp
- M1 - Side light bulb, left
- M3 - Side light bulb, right
- M30 - Main beam bulb, left
- M32 - Main beam bulb, right
- N195 - Gas discharge lamp starter unit
- S3 - Fuse in fuse carrier
- S4 - Fuse in fuse carrier
- S5 - Fuse in fuse carrier
- S6 - Fuse in fuse carrier
- T5h - 5-pin connector, black, on headlight, left
- T5i - 5-pin connector, black, on headlight, right
- T26a - 26-pin connector, green, on dash panel insert
- 82 - Earth connection -1-, in front left wiring harness
- 83 - Earth connection -1-, in front right wiring harness
- A51 - Connection (56), in dash panel wiring harness
- C17 - Connection (56b) -1-, in front lighting wiring harness
- E116 - Connection (56a, right), in dash panel wiring harness