

## Audi A8 1994 ►

General Body Assembly, Interior (Repair groups 68,  
69, 70, 72, 74)

Edition 08.2002



# Audi

Protected by copyright. Copying for private or commercial purposes, in part or in whole, is not permitted unless authorised by AUDI AG. AUDI AG does not guarantee or accept any liability with respect to the correctness of information in this document. Copyright by AUDI AG.

List of Workshop Manual Repair Groups  
List of Workshop Manual Repair Groups  
List of Workshop Manual Repair Groups

## Audi A8 1994 ➤

General Body Assembly, Interior (Repair groups 68, 69, 70, 72, 74)

### Repair Group

68 - Interior equipment

69 - Passenger protection

70 - Trim/Insulation

72 - Seat frames

74 - Seats - Upholstery, Covers

Protected by copyright. Copying for private or commercial purposes, in part or in whole, is not permitted unless authorised by AUDI AG. AUDI AG does not guarantee or accept any liability with respect to the correctness of information in this document. Copyright by AUDI AG.

Technical information should always be available to the foremen and mechanics, because their careful and constant adherence to the instructions is essential to ensure vehicle road-worthiness and safety. In addition, the normal basic safety precautions for working on motor vehicles must, as a matter of course, be observed.

All rights reserved.  
No reproduction without prior agreement from publisher.

## Contents

<b>68 - Interior equipment</b> .....	<b>1</b>
<b>1 Contact corrosion</b> .....	<b>1</b>
1.1 Contact corrosion .....	1
<b>2 Storage compartments/covers</b> .....	<b>2</b>
2.1 Storage compartments/covers .....	2
2.2 Removing and installing glove compartment .....	2
2.3 Removing and installing glove compartment lock cylinder and opening mechanism for glove compartment .....	4
2.4 Removing and installing driver's storage compartment .....	6
2.5 Steering column switch trim - Exploded view of fitting locations .....	7
2.6 Removing and installing steering column switch trim .....	9
2.7 Centre console - Exploded view .....	10
2.8 Removing and installing centre console .....	14
2.9 Removing and installing ashtray, storage compartment, gearshift mechanism trim and centre console trim .....	18
2.10 Removing and installing centre armrest .....	22
2.11 Centre console/Centre armrest incorporating telephone .....	24
2.12 Retrofitting centre armrest .....	26
2.13 Centre section of dash panel - Exploded view .....	29
2.14 Removing and installing centre section of dash panel .....	32
<b>3 Centre armrest introduced as of 10.98</b> .....	<b>34</b>
3.1 Centre armrest introduced as of 10.98 .....	34
3.2 Removing and installing centre armrest .....	34
3.3 Removing and installing trim for support .....	37
3.4 Removing and installing centre armrest trim .....	38
3.5 Removing and installing centre armrest storage compartment .....	38
3.6 Removing and installing centre armrest cables .....	42
3.7 Centre armrest cable routing for telephone installation .....	43
3.8 Removing and installing centre armrest lift .....	44
3.9 Removing and installing centre armrest with Cullmann lift .....	46
3.10 Detaching left and right centre armrest with clamp .....	47
3.11 Detaching left and right centre armrest with bracket and screw .....	49
3.12 Detaching left and right centre armrest with screw .....	51
3.13 Retrofitting centre armrest .....	53
3.14 Removing and installing centre armrest cover .....	55
3.15 Removing and installing cover for centre armrest cover .....	56
3.16 Removing and installing lower section of centre armrest cover .....	58
<b>4 Interior rear-view mirror</b> .....	<b>60</b>
4.1 Interior rear-view mirror .....	60
4.2 Removing and installing interior rear-view mirror with fixed base .....	60
4.3 Removing interior rear-view mirror (automatic anti-glare mirror) .....	61
4.4 Removing and installing interior rear-view mirror (attached to roof) .....	62
4.5 Testing function of automatic anti-glare interior rear-view mirror .....	63
4.6 Cementing retainer plate for interior rear-view mirror .....	64
<b>69 - Passenger protection</b> .....	<b>66</b>
<b>1 Contact corrosion</b> .....	<b>66</b>
1.1 Contact corrosion .....	66
<b>2 Seat belts</b> .....	<b>66</b>
2.1 Seat belts .....	66
2.2 Safety rules for handling pyrotechnic belt tensioners .....	66
2.3 Testing belt tensioners .....	67
2.4 Disposal of pyrotechnic belt tensioners .....	67
2.5 Removing and installing front three-point seat belt with belt height adjuster .....	69



2.6	Removing and installing rear three-point seat belt . . . . .	76
2.7	Removing and installing rear centre three-point seat belt . . . . .	80
2.8	Removing and installing rear belt adjustment mechanism . . . . .	84
2.9	Reinforcement of floor panel anchorage point . . . . .	85
<b>3</b>	<b>Checking seat belts . . . . .</b>	<b>88</b>
3.1	Checking seat belts . . . . .	88
3.2	Checking child seat restraint function for additional child seats . . . . .	89
3.3	Checking belt fastened sensor for rear left and right belts with belt tensioner 07.96 ä . . . . .	89
<b>4</b>	<b>Airbag safety precautions . . . . .</b>	<b>89</b>
4.1	Airbag safety precautions . . . . .	89
4.2	Safety precautions when working on airbag . . . . .	89
4.3	Additional safety precautions for side airbag . . . . .	90
4.4	Additional safety precautions for head airbag . . . . .	91
4.5	Replacing airbag units after accident . . . . .	92
<b>5</b>	<b>Repairing airbag . . . . .</b>	<b>95</b>
5.1	Repairing airbag . . . . .	95
5.2	Overview of front fitting locations . . . . .	95
5.3	Overview of rear fitting locations . . . . .	97
5.4	Removing and installing control unit for airbag -J234 . . . . .	98
<b>6</b>	<b>Repairing driver's airbag . . . . .</b>	<b>99</b>
6.1	Repairing driver's airbag . . . . .	99
6.2	Removing and installing driver's airbag unitä 06.97 . . . . .	99
6.3	Removing and installing steering wheelä06.97 . . . . .	102
6.4	Removing and installing self-cancelling ring with coil connector and slip ringä06.97 . . . . .	105
6.5	Removing and installing driver's airbag with sports steering wheelä06.97 . . . . .	108
6.6	Removing and installing sports steering wheelä06.97 . . . . .	111
6.7	Removing and installing self-cancelling ring with coil connector and slip ring with sports steering wheelä06.97 . . . . .	113
6.8	Removing and installing driver's airbag unit 07.97ä . . . . .	116
6.9	Removing and installing steering wheel07.97ä . . . . .	119
6.10	Removing and installing driver's airbag with sports steering wheel07.97ä . . . . .	122
6.11	Removing and installing steering wheel07.97ä . . . . .	125
6.12	Removing and installing self-cancelling ring with coil connector and slip ring07.97ä . . . . .	126
6.13	Service installation of airbag sports steering wheel . . . . .	127
<b>7</b>	<b>Repairing passenger airbag . . . . .</b>	<b>128</b>
7.1	Repairing passenger airbag . . . . .	128
7.2	Removing and installing passenger airbag unit > 06.96 . . . . .	128
7.3	Removing and installing passenger airbag unit 07.96 ä . . . . .	131
7.4	Removing and installing passenger airbag unit on RHD vehicles 07.96 ä . . . . .	137
7.5	Removing and installing key switch for passenger airbag . . . . .	141
<b>8</b>	<b>Repairing side airbags . . . . .</b>	<b>142</b>
8.1	Repairing side airbags . . . . .	142
8.2	Removing and installing front side airbag . . . . .	142
8.3	Removing and installing front side airbag with sports seat . . . . .	143
8.4	Removing and installing rear side airbag . . . . .	147
8.5	Removing and installing rear side airbag with electrically adjustable individual seats . . . . .	149
8.6	Removing and installing front seat occupied sensor . . . . .	151
8.7	Removing and installing front seat occupied sensor with sports seat . . . . .	151
8.8	Removing and installing rear seat occupied sensor . . . . .	153
8.9	Removing and installing rear seat occupied sensor with electrically adjustable individual seats . . . . .	154
8.10	Checking function of seat-occupied sensor mat . . . . .	155
8.11	Removing and installing sensor for lateral acceleration . . . . .	156
8.12	Removing and installing lateral acceleration sensor MY 1999 ä . . . . .	157
<b>9</b>	<b>Repairing head airbag . . . . .</b>	<b>158</b>
9.1	Repairing head airbag . . . . .	158



9.2	Removing and installing head airbag . . . . .	159
9.3	Removing and installing head airbag guide . . . . .	166
<b>10</b>	<b>Deactivating rear side airbag . . . . .</b>	<b>168</b>
10.1	Deactivating rear side airbag . . . . .	168
10.2	Deactivating and activating rear side airbags . . . . .	168
10.3	Deactivating and activating rear side airbag with electrically adjustable individual seats . . . . .	170
<b>70</b>	<b>Trim/Insulation . . . . .</b>	<b>174</b>
<b>1</b>	<b>Contact corrosion . . . . .</b>	<b>174</b>
1.1	Contact corrosion . . . . .	174
<b>2</b>	<b>Front door trims . . . . .</b>	<b>175</b>
2.1	Front door trims . . . . .	175
2.2	Fitting locations - Exploded view . . . . .	175
2.3	Removing and installing front door trim . . . . .	178
<b>3</b>	<b>Rear door trims . . . . .</b>	<b>182</b>
3.1	Rear door trims . . . . .	182
3.2	Fitting locations - Exploded view . . . . .	182
3.3	Removing and installing rear door trim . . . . .	185
3.4	Removing and installing rear side window sun blind . . . . .	188
3.5	Removing and installing sun blind retaining hook . . . . .	188
<b>4</b>	<b>Trims . . . . .</b>	<b>189</b>
4.1	Trims . . . . .	189
4.2	Removing and installing upper A-pillar trim . . . . .	189
4.3	Removing and installing bottom left A-pillar trim . . . . .	191
4.4	Removing and installing bottom right A-pillar trim . . . . .	191
4.5	Removing and installing B-pillar trim . . . . .	192
4.6	Removing and installing C-pillar trim . . . . .	195
4.7	Removing and installing upper C-pillar trim . . . . .	196
4.8	Removing and installing D-pillar trim . . . . .	197
4.9	Removing handle . . . . .	199
4.10	Removing coat hook . . . . .	199
4.11	Removing and installing front and rear floor covering . . . . .	200
4.12	Removing and installing rear shelf . . . . .	203
4.13	Removing and installing electric sun blind for rear window . . . . .	207
4.14	Removing and installing rear blind motor . . . . .	209
4.15	Replacing drive pulley for rear blind motor . . . . .	211
4.16	Removing and installing rear blind control unit . . . . .	211
4.17	Removing and installing inner sill panel . . . . .	212
4.18	Removing boot lid trim . . . . .	212
4.19	Removing and installing rear cross-panel trim . . . . .	213
4.20	Remove boot trim . . . . .	213
<b>5</b>	<b>Trims introduced as of 10.98 (with interior mirror at headliner) . . . . .</b>	<b>214</b>
5.1	Trims introduced as of 10.98 (with interior mirror at headliner) . . . . .	214
5.2	Removing and installing upper A-pillar trim . . . . .	214
5.3	Removing and installing upper B-pillar trim . . . . .	220
5.4	Removing and installing lower B-pillar trim . . . . .	224
5.5	Removing and installing lower C-pillar trim . . . . .	226
5.6	Removing and installing upper C-pillar trim . . . . .	228
5.7	Removing and installing narrow D-pillar trim . . . . .	231
5.8	Removing and installing D-pillar trim . . . . .	233
<b>6</b>	<b>Roof trim . . . . .</b>	<b>239</b>
6.1	Roof trim . . . . .	239
6.2	Replacing moulded headliner . . . . .	239
6.3	Removing moulded headliner . . . . .	240
6.4	Detaching moulded headliner from roof . . . . .	243
6.5	Installing moulded headliner . . . . .	244

Protected by copyright. Copying for private or commercial purposes, in part or in whole, is not permitted unless expressly permitted in writing by Audi AG. Audi AG does not guarantee, or accept any liability with respect to the correctness of information in this document. Copyright by AUDI AG.



6.6	Removing and installing sun visor	246
6.7	Removing cover for sun roof motor	248
<b>7</b>	<b>Roof trim introduced as of 10.98 (with interior mirror at headliner)</b>	<b>249</b>
7.1	Roof trim introduced as of 10.98 (with interior mirror at headliner)	249
7.2	Replacing moulded headliner without sun roof	249
7.3	Removing moulded headliner without sun roof	250
7.4	Detaching moulded headliner from roof without sun roof	254
7.5	Installing moulded headliner without sun roof	255
7.6	Removing moulded headliner with sun roof	257
7.7	Removing and installing sun visor	263
7.8	Removing cover for sun roof motor	265
<b>8</b>	<b>Dash panel</b>	<b>267</b>
8.1	Dash panel	267
8.2	Fitting locations - Exploded view	267
8.3	Removing and installing dash panel	269
8.4	Removing and installing dash panel support	275
8.5	Removing acoustic brace at dash panel support	279
<b>72 - Seat frames</b>		<b>280</b>
<b>1</b>	<b>Contact corrosion</b>	<b>280</b>
1.1	Contact corrosion	280
<b>2</b>	<b>Front seats</b>	<b>280</b>
2.1	Front seats	280
2.2	Removing and installing front seat	281
2.3	Removing and installing outer seat frame trim	283
2.4	Removing and installing inner seat frame trim	283
2.5	Removing and installing back rest	284
2.6	Removing and installing backrest with sports seat	285
2.7	Removing and installing outer seat frame trim with sports seat	287
2.8	Removing and installing runner	287
2.9	Removing and installing runner with sports seat	288
2.10	Removing and installing lumbar support and head restraint mount	289
2.11	Removing and installing head restraints	293
2.12	Removing and installing head restraints with monitor	294
2.13	Removing and installing head restraint guides	297
2.14	Removing and installing mechanical folding table	299
2.15	Removing and installing electric folding table	301
2.16	Aligning the folding table to backrest	302
2.17	Erasing fault memory for folding table motor	303
2.18	Operating emergency release for electric folding table	304
2.19	Replacing crown wheel for electric folding table	304
<b>3</b>	<b>Electrically adjustable sports seats</b>	<b>309</b>
3.1	Electrically adjustable sports seats	309
3.2	Mechanical longitudinal seat adjustment	310
3.3	Removing and installing electrical components with backrest	311
3.4	Removing and installing electrical components in seat frame	317
3.5	Removing and installing motor and sender for head restraint adjustment	321
3.6	Removing and installing limit switch for head restraint adjustment	322
3.7	Removing and installing pump, pressure switch and valve block for lumbar support adjustment	323
3.8	Removing and installing motor and sender for backrest adjustment	323
3.9	Removing and installing motors and senders for height/longitudinal adjustment	324
3.10	Removing and installing power supply relay for seat adjustment	326
3.11	Removing and installing control unit for seat adjustment with memory	327
3.12	Removing and installing seat switch	328
3.13	Installation position of seat heating connectors	328

<b>4</b>	<b>Rear seats</b> .....	<b>329</b>
4.1	Rear seats .....	329
4.2	Removing and installing rear bench seat .....	330
4.3	Removing and installing rear seat backrest .....	330
4.4	Removing and installing head restraint and head restraint guides .....	333
4.5	Removing and installing rear seat armrest .....	333
4.6	Centre part for back rest with third head restraint .....	334
4.7	Removing and installing electrical head restraint adjustment mechanism .....	346
4.8	Removing and installing electrical lumbar support adjustment mechanism .....	350
4.9	Removing and installing lumbar support adjustment motors .....	354
4.10	Wiring for electrical lumbar support and head restraint adjustment mechanisms .....	357
4.11	Wiring for electrical lumbar support and head restraint adjustment mechanisms .....	359
4.12	Removing and installing ISO FIX holder .....	361
<b>5</b>	<b>Electrically adjustable individual rear seats</b> .....	<b>362</b>
5.1	Electrically adjustable individual rear seats .....	362
5.2	Mechanical longitudinal seat adjustment .....	363
5.3	Electric motors and micro switches - Exploded view .....	364
5.4	Connectors and relays in centre upholstery backing plate .....	366
5.5	Removing and installing electrically adjustable individual seats .....	369
5.6	Detach backrest and cushion with electrically adjustable individual seats .....	373
5.7	Removing and installing rear seat armrest .....	374
5.8	Removing and installing electric motors for backrest adjustment .....	375
<b>74 - Seats - Upholstery, Covers</b> .....	<b>379</b>	
<b>1</b>	<b>Contact corrosion</b> .....	<b>379</b>
1.1	Contact corrosion .....	379
<b>2</b>	<b>Front seat covers and upholstery</b> .....	<b>379</b>
2.1	Front seat covers and upholstery .....	379
2.2	Removing and installing seat cover .....	380
2.3	Removing and installing seat cover with sports seat .....	382
2.4	Removing and installing backrest cover .....	385
2.5	Removing and installing backrest cover .....	388
2.6	Removing and installing backrest cover and upholstery with sports seat .....	389
2.7	Replacing seat heater element .....	391
2.8	Replacing seat back heater element .....	393
<b>3</b>	<b>Rear seat covers and upholstery</b> .....	<b>395</b>
3.1	Rear seat covers and upholstery .....	395
3.2	Removing and installing seat cover and upholstery .....	396
3.3	Removing and installing backrest cover and upholstery .....	399
3.4	Removing and installing backrest cover and upholstery with third head restraint .....	401
3.5	Removing ski bag .....	404
3.6	Removing and installing rear seat cover and upholstery with electrically adjustable individual seat .....	404
3.7	Removing and installing backrest cover and upholstery with electrically adjustable individual seat .....	405
3.8	Replacing backrest/seat heating element .....	406
<b>4</b>	<b>Head restraints</b> .....	<b>406</b>
4.1	Head restraints .....	406
4.2	Removing and installing head restraint fabric and upholstery .....	406



Audi A8 1994 ➤

General Body Assembly, Interior (Repair groups 68, 69, 70, 72, 74) - Edition 08.

2002

---



Audi

Protected by copyright. Copying for private or commercial purposes, in part or in whole, is not permitted unless authorised by AUDI AG. AUDI AG does not guarantee or accept any liability with respect to the correctness of information in this document. Copyright by AUDI AG.



## 68 - Interior equipment

### 1 - Contact corrosion

#### 1.1 - Contact corrosion

Contact corrosion can occur if non approved fasteners are used on the vehicle (bolts, nuts, washers etc.).

For this reason, all the fasteners used in production are specially treated. These components can be identified by their greenish surface finish.

In addition to this, all rubber and plastic parts and all adhesives are made of non-electrically conductive materials.

If you are not sure whether used parts can be refitted, always fit new parts.

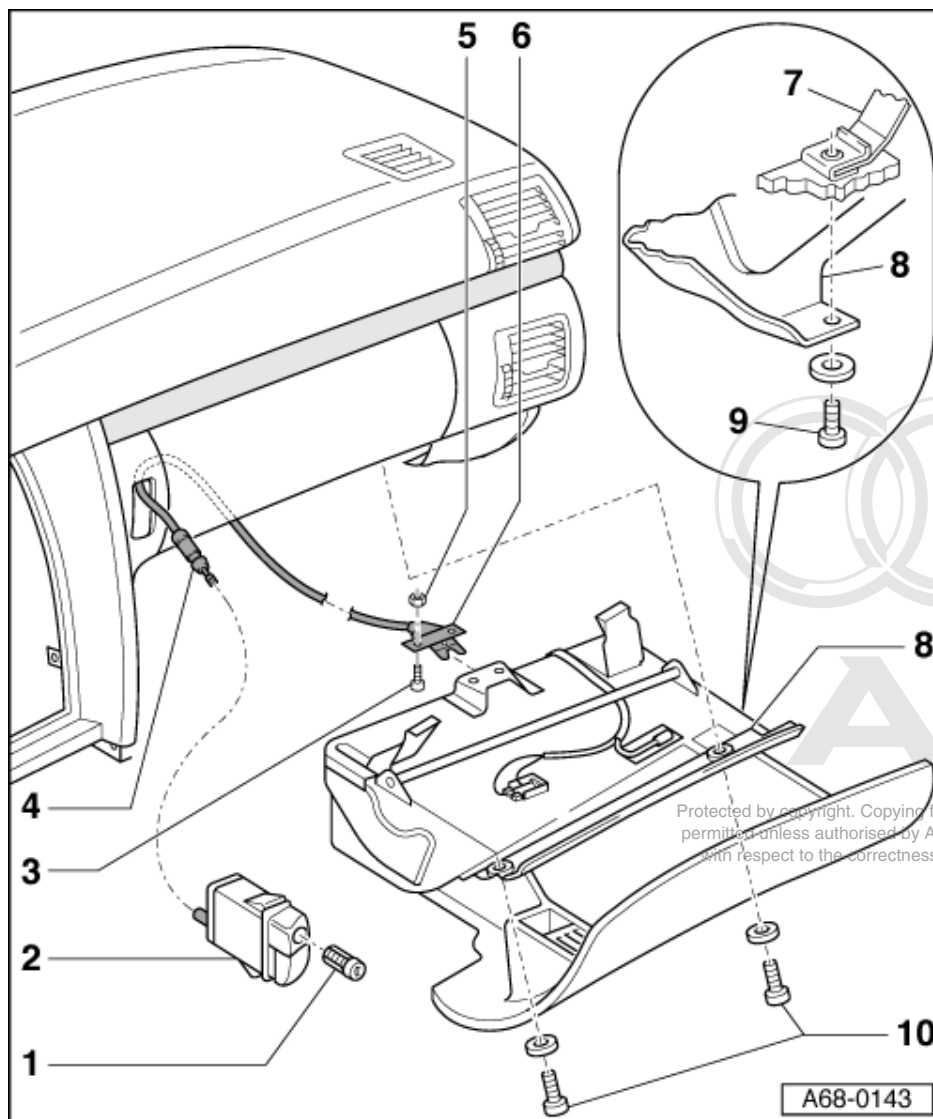
Protected by copyright. Copying for private or commercial purposes, in part or in whole, is not permitted unless authorised by AUDI AG. AUDI AG does not guarantee or accept any liability with respect to the correctness of information in this document. Copyright by AUDI AG.

#### Important

- ◆ **Use only genuine Audi A8 Parts.**
- ◆ **Accessories must be approved by AUDI AG.**
- ◆ **Damage resulting from contact corrosion is not covered by the warranty.**

## 2 - Storage compartments/covers

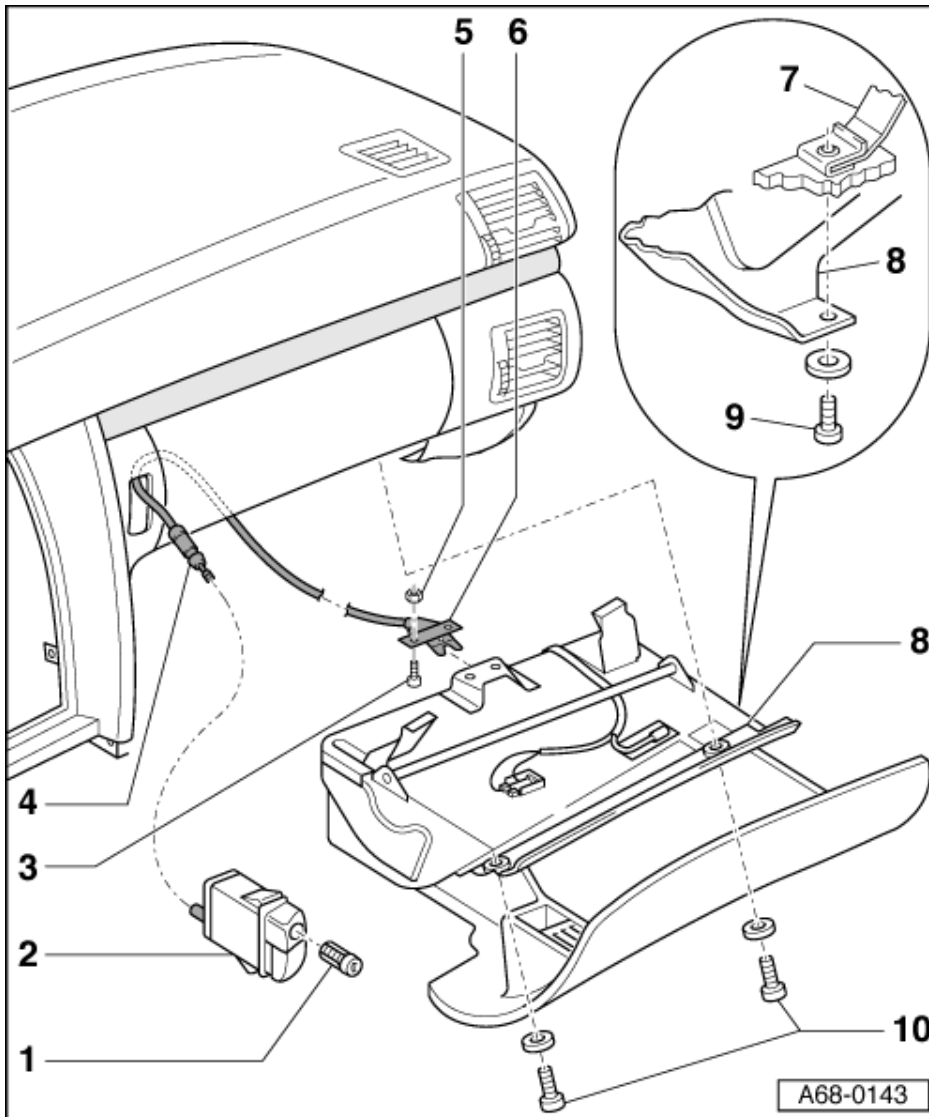
### 2.1 - Storage compartments/covers



### 2.2 - Removing and installing glove compartment

- 1 **Lock cylinder**
  - ◆ For glove compartment
  - ◆ Removing and installing  
=>Page 4
- 2 **Opening mechanism**
  - ◆ For glove compartment
  - ◆ Removing and installing  
=>Page 4
- 3 **Hexagon socket-head bolt**
  - ◆ 2 off
- 4 **Bowden cable**
  - ◆ For glove compartment lock

- ♦ Disengaging from opening mechanism=>Page 4 .

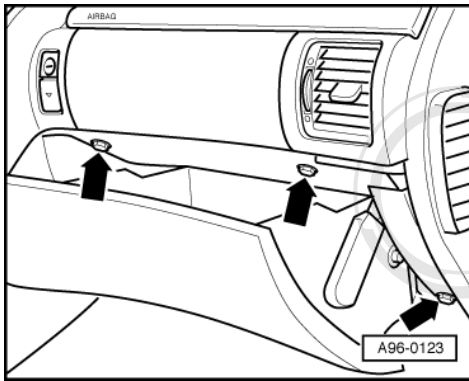


- 5 Nut**
  - ♦ Self-locking
  - ♦ 2 off
- 6 Lock**
  - ♦ For glove compartment
- 7 Bracket**
  - ♦ For dash panel
  - ♦ With speed nut
- 8 Glove compartment**
- 9 Hexagon socket-head bolt - 2.5Nm**
- 10 Hexagon socket-head bolt - 2.5Nm**

### Removing

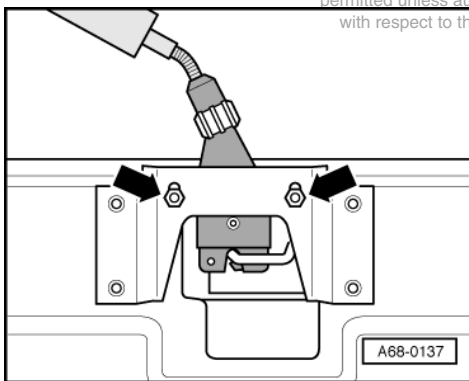
- Open glove box.

Protected by copyright. Copying for private or commercial purposes, in part or in whole, is not permitted unless authorised by AUDI AG. AUDI AG does not guarantee or accept any liability with respect to the correctness of information in this document. Copyright by AUDI AG.



- -> Unscrew glove compartment frame -arrows-.
- Pull glove compartment frame backwards out of guides.
- Detach connectors and lay aside glove compartment in passenger's footwell.

Protected by copyright. Copying for private or commercial purposes, in part or in whole, is not permitted unless authorised by AUDI AG. AUDI AG does not guarantee or accept any liability with respect to the correctness of information in this document. Copyright by AUDI AG.



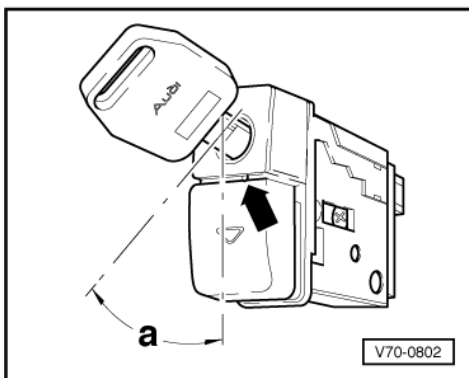
- -> Unscrew glove compartment lock from glove compartment -arrows-.

### Installing

Installation is carried out in the reverse order; note the following:

- If glove compartment will not close or if there is play adjust glove compartment lock by moving it in slots -arrows-.

### 2.3 - Removing and installing glove compartment lock cylinder and opening mechanism for glove compartment

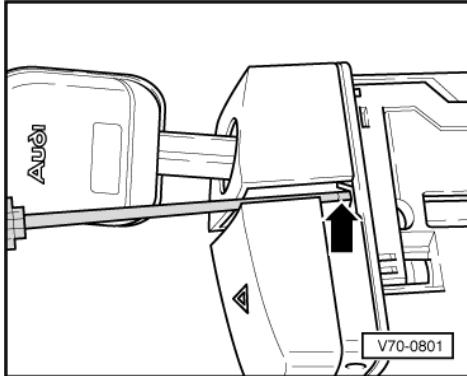


### Special tools, testers and auxiliary items required

- ◆ 1.6 x 40 mm jeweller's screwdriver

### Removing

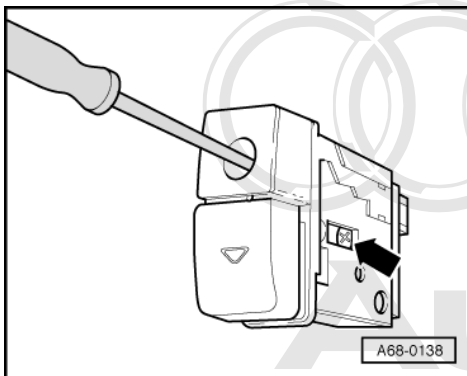
- Remove glove compartment => Page 2 and lay it aside in footwell.
- -> Turn vehicle key through a = approx. 45°.
- Insert jeweller's screwdriver in hole -arrow-.



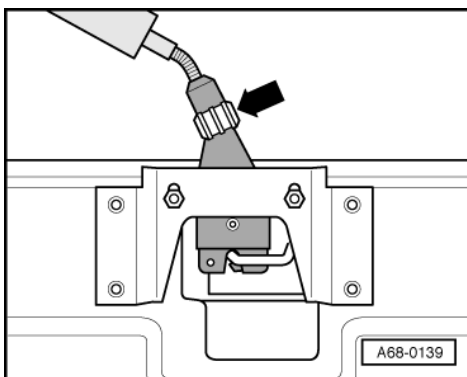
- -> Engage screwdriver in guide lug -arrow-.
- Press guide lug upwards to release lock cylinder; correct key position, if necessary.
- Pull out lock cylinder with vehicle key inserted.

### Note:

Shown in illustration with lock removed.



- -> Loosen cross-head bolt -arrow- through hole for lock cylinder until retainers are pushed back.
- Remove opening mechanism forward.

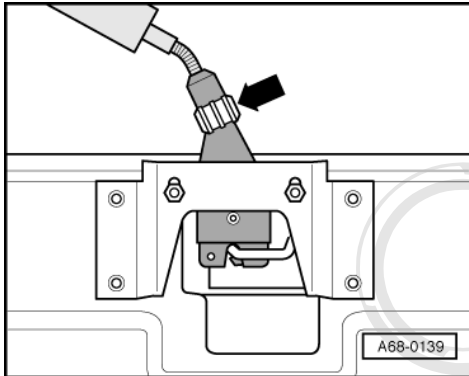


- -> Turn knurled nut -arrow- for Bowden cable adjustment, slightly inwards to slacken Bowden cable.

- Disengage Bowden cable from opening mechanism and detach opening mechanism.

**Installing**

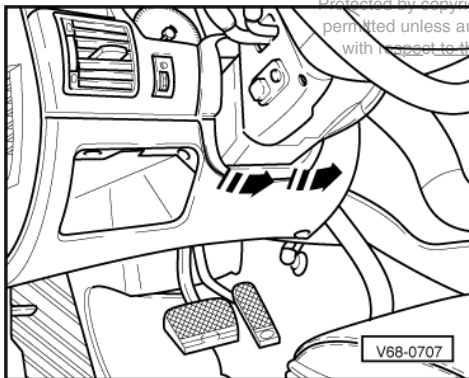
Installation is carried out in the reverse order; note the following:



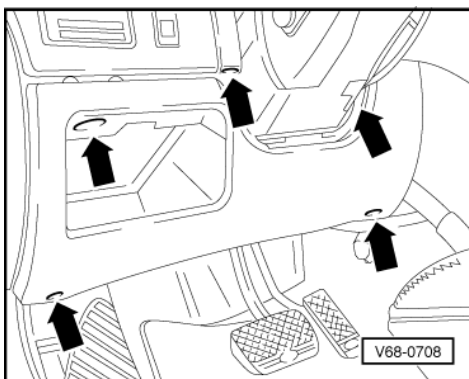
- -> In the event of opening mechanism play or if glove compartment will not close properly adjust length of Bowden cable at knurled nut.

**2.4 - Removing and installing driver's storage compartment**

Protected by copyright. Copying for private or commercial purposes, in part or in whole, is not permitted unless authorised by AUDI AG. AUDI AG does not guarantee or accept any liability with respect to the correctness of information in this document. Copyright by AUDI AG.

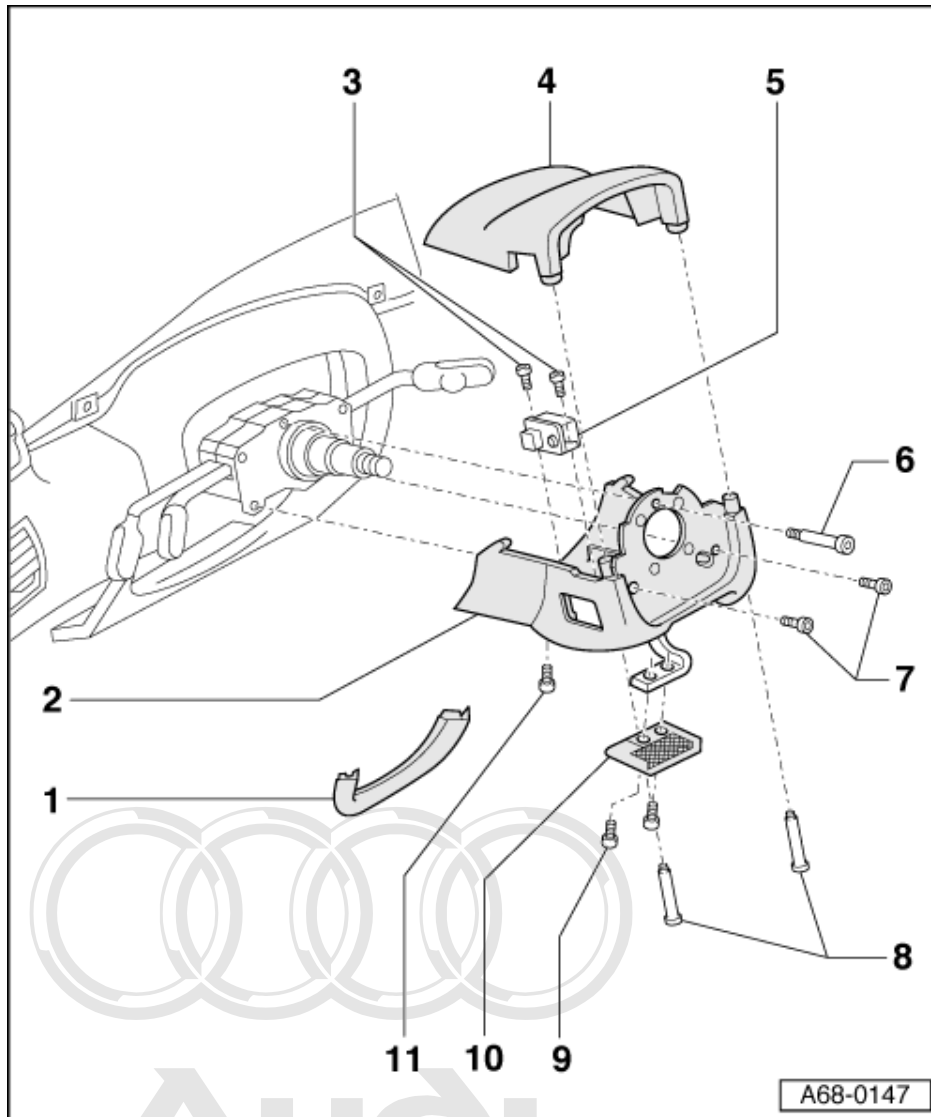


- -> Detach lower surround in direction of arrow.



- -> Screw out (2.5 Nm) bolts -arrows-.
- Detach storage compartment.

## 2.5 - Steering column switch trim - Exploded view of fitting locations



1 Lower surround

2 Bottom trim

◆ Version ä 06.97

3 Crosshead screw - 0.6 Nm

◆ 2 off

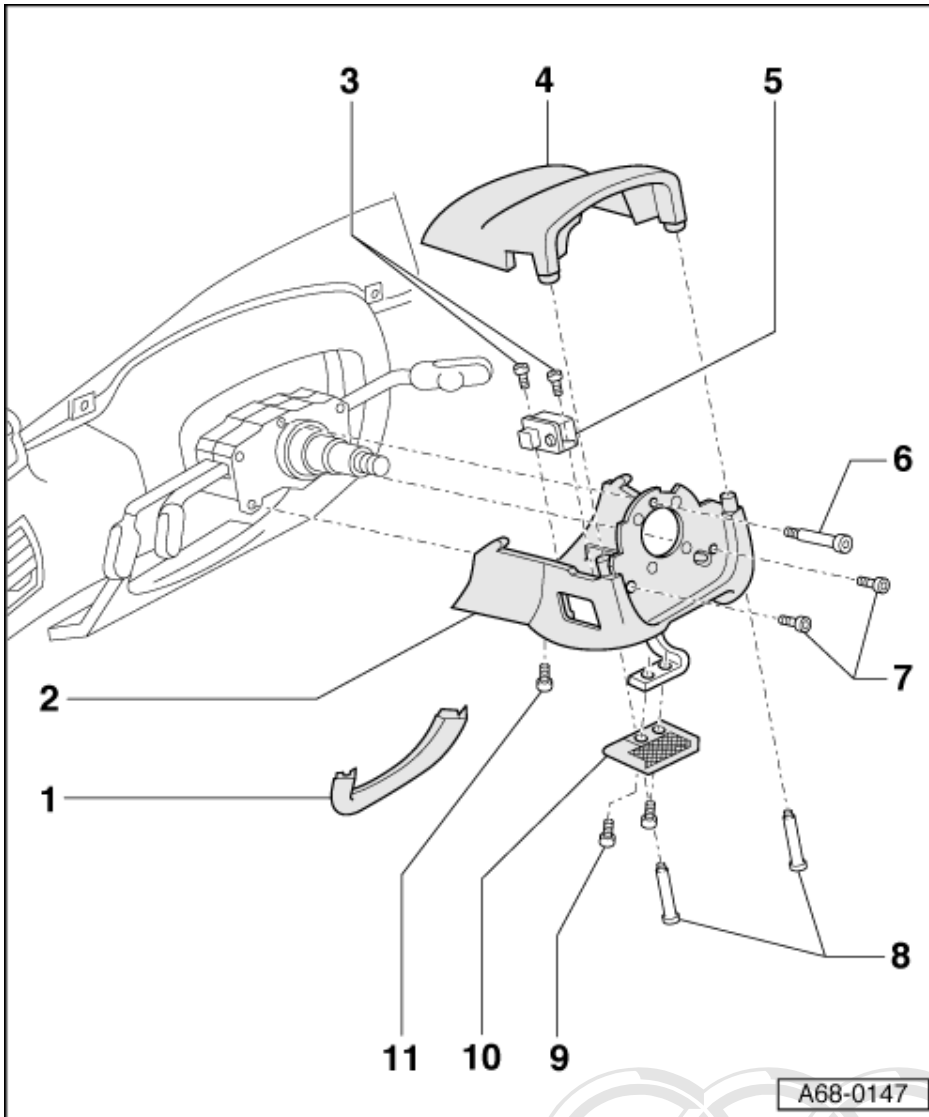
4 Upper trim

5 Steering column adjustment switch -E167

◆ Only for electrically adjustable steering column

6 Crosshead screw - 0.6 Nm

◆ For lower trim ä 06.97



7 Countersunk screw - 0.3 Nm

- ◆ 2 off

8 Crosshead screw - 0.6 Nm

- ◆ 2 off

9 Oval-head screw - 3 Nm

- ◆ 2 off
- ◆ Only for mechanically adjustable steering column

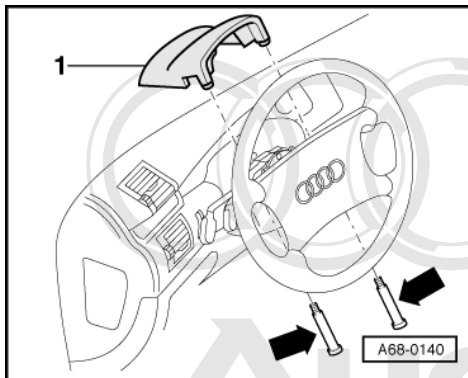
10 Handle for steering column adjustment

11 Hexagon socket-head bolt - 2.5Nm

Protected by copyright. Copying for private or commercial purposes, in part or in whole, is not permitted unless authorised by AUDI AG. AUDI AG does not guarantee or accept any liability with respect to the correctness of information in this document. Copyright by AUDI AG.

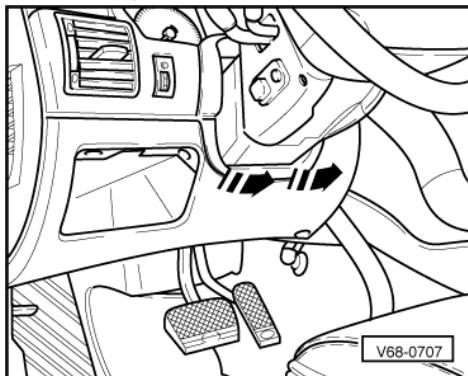


## 2.6 - Removing and installing steering column switch trim

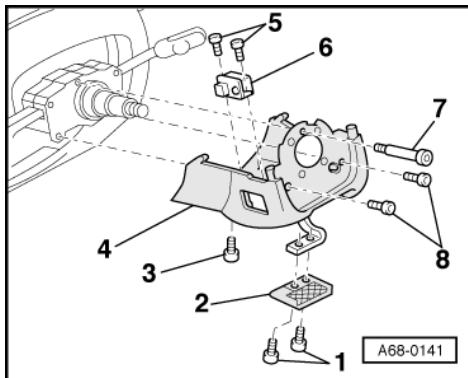


- -> Remove screws -arrows- and detach trim -1-.
- Remove driver's airbag unit =>from Page 99 .
- Remove steering wheel =>from Page 103 .

Protected by copyright. Copying for private or commercial purposes, in part or in whole, is not permitted unless authorised by AUDI AG. AUDI AG does not guarantee or accept any liability with respect to the correctness of information in this document. Copyright by AUDI AG.



- -> Detach lower surround in direction of arrow.

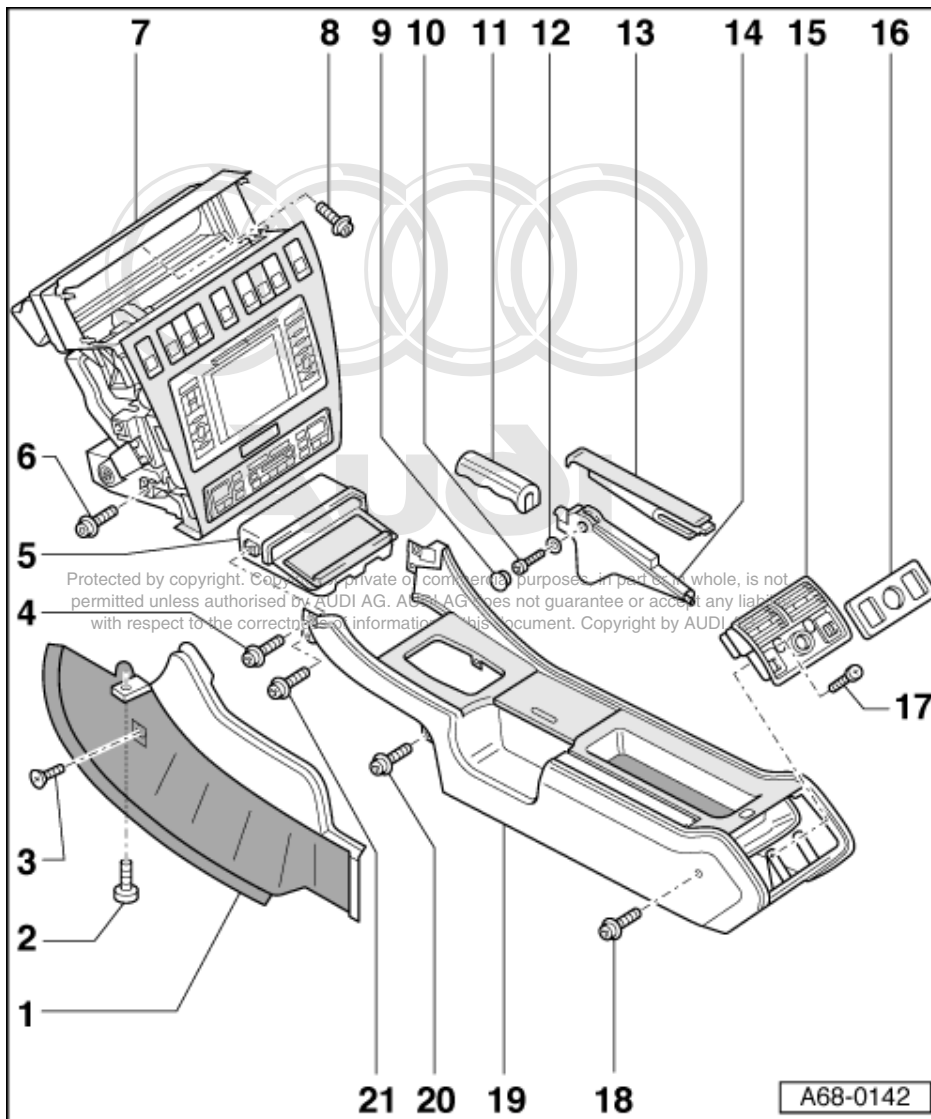


- -> Remove screws -1- and detach grip -2- for steering column adjustment.
- Remove screws-7- and -8- and detach lower trim for steering column switch -4-.
- If applicable, detach connector from switch -6- or unscrew switch.

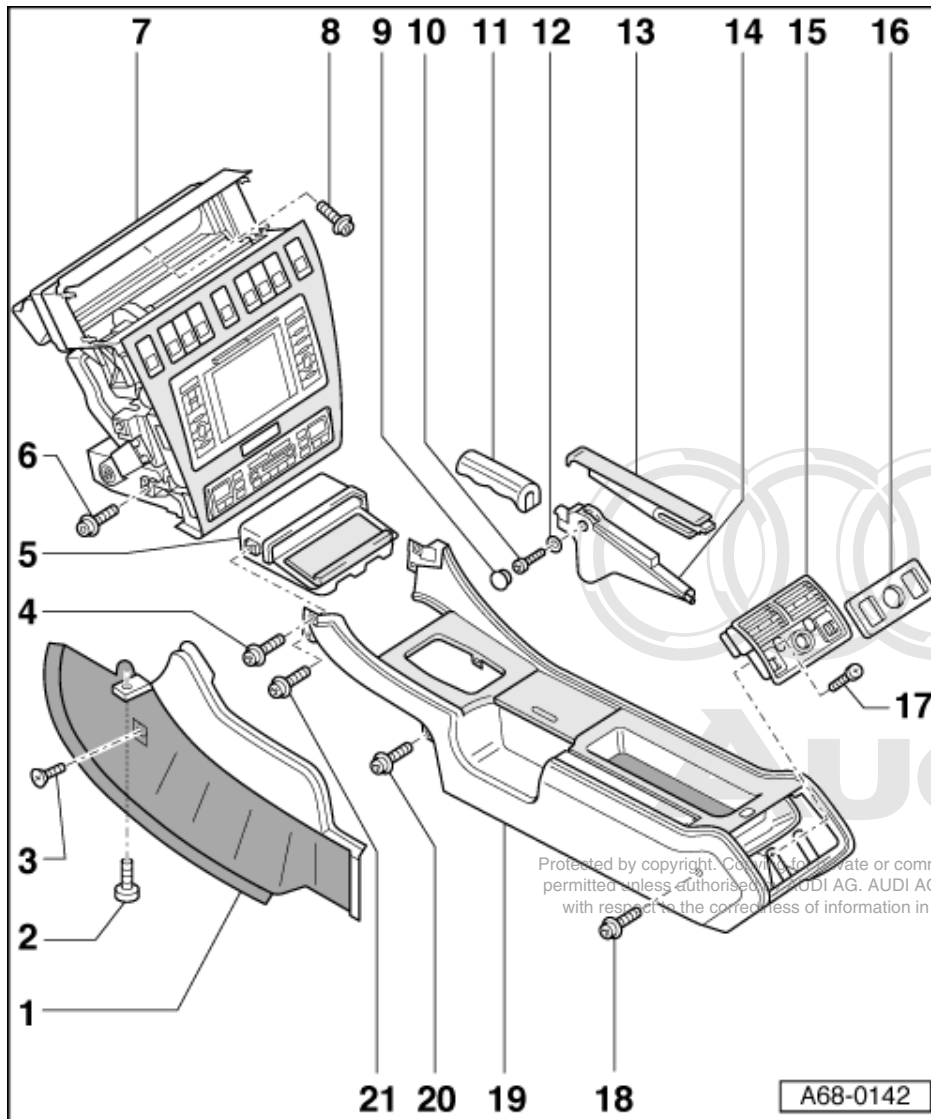
### Note:

Fig. shows trim for steering column switch ä 06.97.

## 2.7 - Centre console - Exploded view



- 1 Left trim for centre console
- 2 Hexagon bolt - 2.5 Nm
- 3 Crosshead screw - 2.5 Nm
- 4 Hexagon socket-head bolt - 2.5Nm
  - ◆ 2 off
- 5 Ashtray
- 6 Hexagon socket-head bolt - 2.5Nm
  - ◆ 4 off



Protected by copyright. Copying for private or commercial purposes, in part or in whole, is not permitted unless authorised by AUDI AG. AUDI AG does not guarantee or accept any liability with respect to the correctness of information in this document. Copyright by AUDI AG.

**7 Centre section of dash panel**

- ◆ Removing and installing  
 =>Page 29

**8 Hexagon socket-head bolt - 2.5Nm**

**9 Cover**

**10 Clamping bolt - 1 Nm**

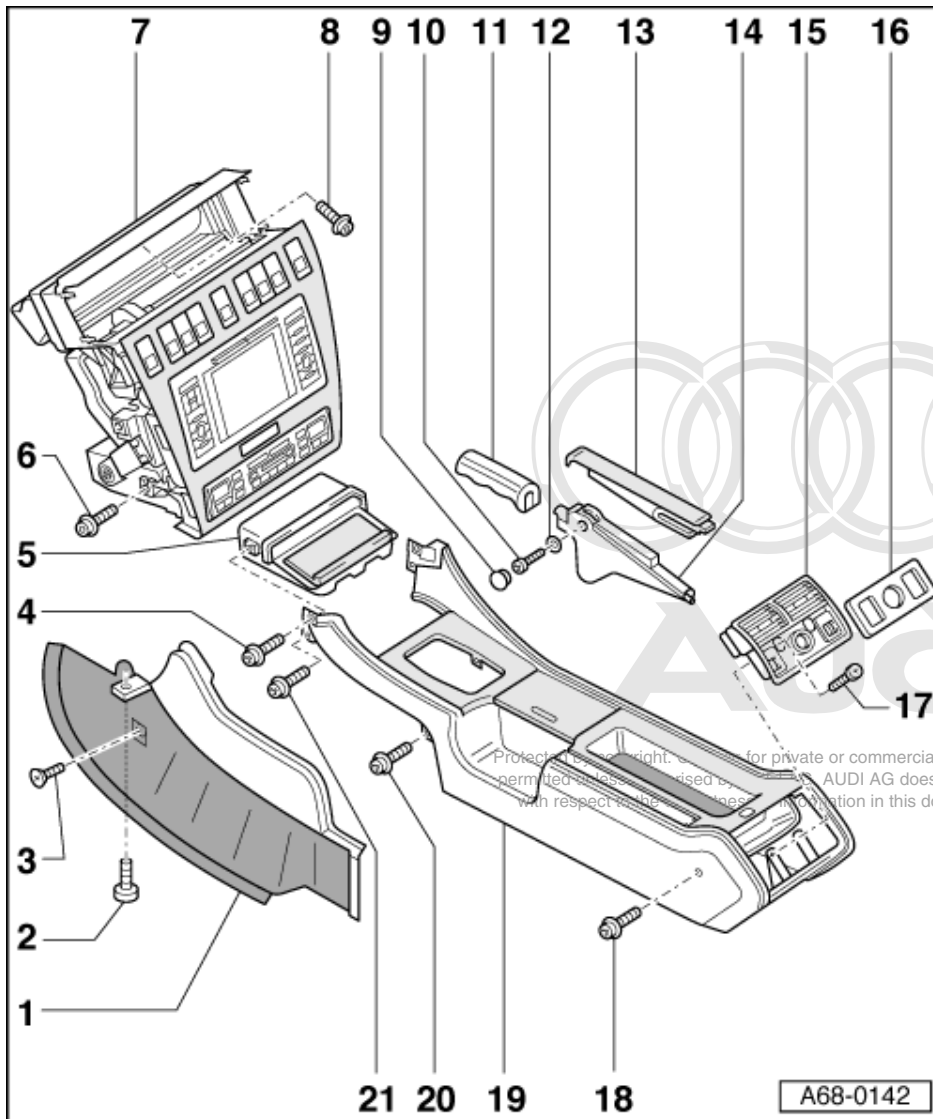
- ◆ Loosen to adjust handbrake trim

**11 Handle of handbrake lever**

- ◆ Removing:
  - Lever out locking pin on underside.
  - Detach handle frontward.

**12 Washer**

- ◆ For clamping bolt



Protected by copyright. Use for private or commercial purposes, in part or in whole, is not permitted unless authorised by AUDI AG. AUDI AG does not guarantee or accept any liability with respect to the accuracy of the information in this document. Copyright by AUDI AG.

**13 Panel**

- ◆ For handbrake trim
- ◆ Adjustable in axial and transverse direction after loosening clamping bolt
- ◆ Removing:
  - Loosen clamping bolt -Item 10 - approx. 2 turns.
  - Detach panel towards forward.

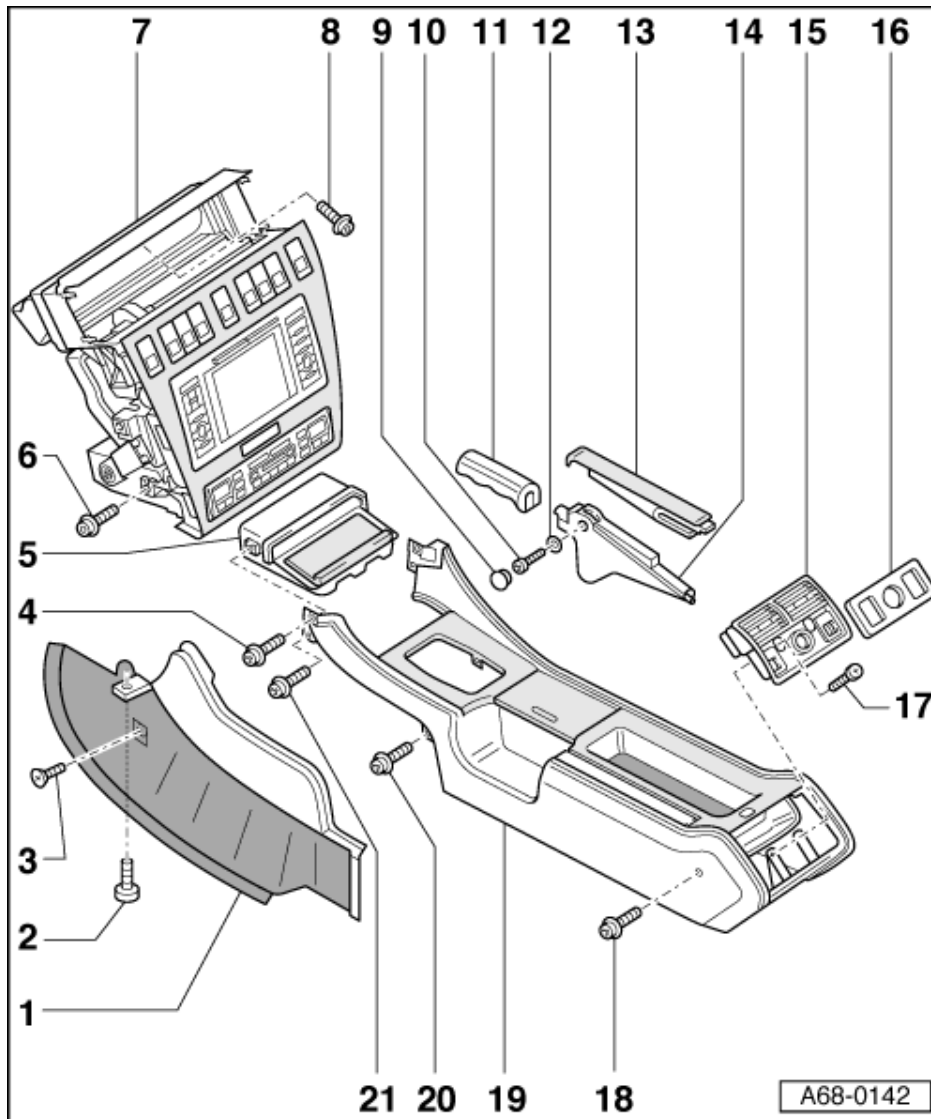
**14 Handbrake trim**

- ◆ Insert trim retaining lug in hole at handbrake lever.

**15 Rear vent**

**16 Panel**

- ◆ For rear vent
- ◆ Unclip to remove



17 Crosshead screw - 1.5 Nm

- ◆ 2 off

18 Hexagon socket-head bolt - 2.5Nm

- ◆ 2 off

19 Centre console

- ◆ Removing and installing  
=>Page 14

20 Hexagon socket-head bolt - 2.5Nm

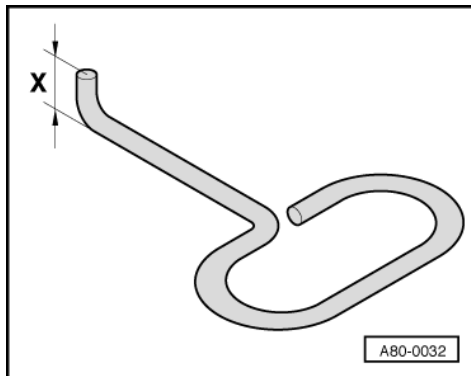
- ◆ 2 off

21 Hexagon socket-head bolt - 2.5Nm

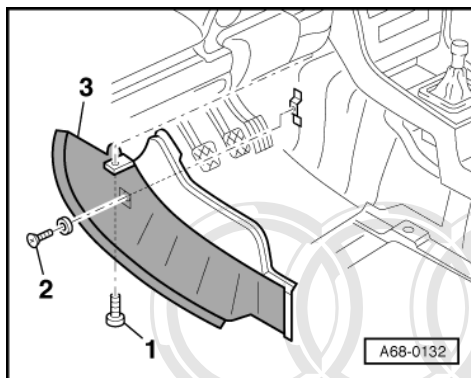
- ◆ 2 off

Audi

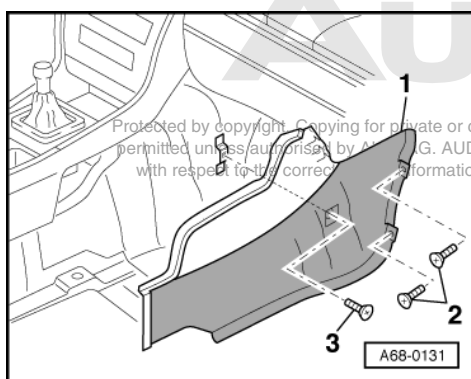
## 2.8 - Removing and installing centre console



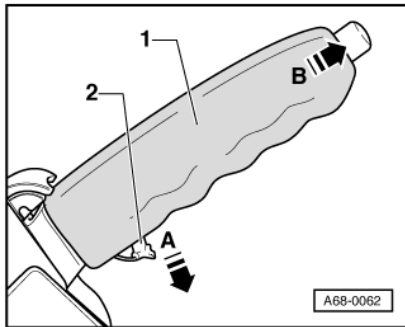
- Make improvised tool for dismantling vents.
- -> Bend a  $\varnothing 3$  mm wire as shown in the illustration.
  - Dimension x = 6 mm
- Remove telephone/mobile phone receiver holder => Page 24 .
- Move front seats to furthest rearward position.
- Remove floor covering on left and right => Page 200 .
- Turn accelerator pedal stop 1/4 turn (90°) anti-clockwise.



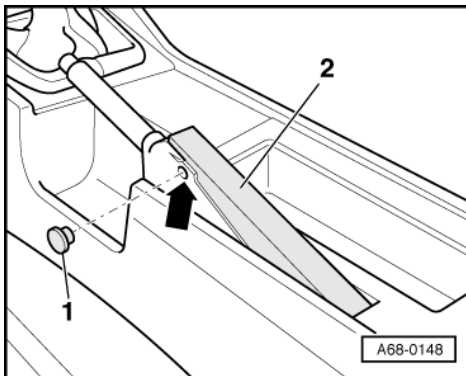
- -> Remove bolts -1- and -2-.
- Detach left trim from centre console -3-.
  - To detach, push trim forwards and disengage at rear.



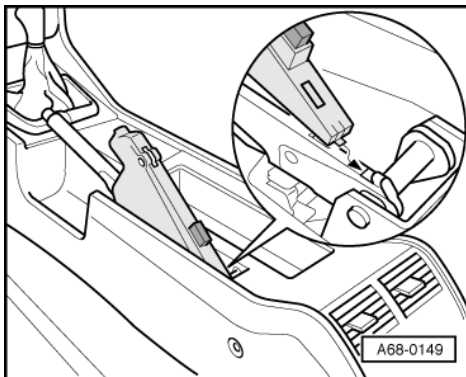
- -> Remove bolts -2- and -3-.
- Front bolts -2- become accessible after folding back floor covering.
- Detach right trim from centre console -1-.
  - To detach, push trim forwards and disengage at rear.



- Pull up handbrake lever as far as it will go.
- -> Lever out locking pin -2- in direction of arrow -A-.
- Detach handle of handbrake lever -1- in direction of arrow -B-.



- -> Lever off trim -1- and loosen clamping bolt -arrow- approx. 2 turns.
- Detach cover panel from handbrake trim -2- frontward.



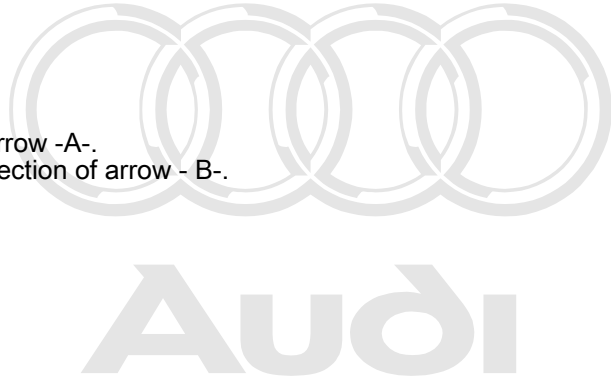
- -> Detach handbrake trim.
- Retaining lug at rear narrow side of trim.

#### Vehicles with manual gearbox:

- Screw off gear lever knob and engage 4th gear.

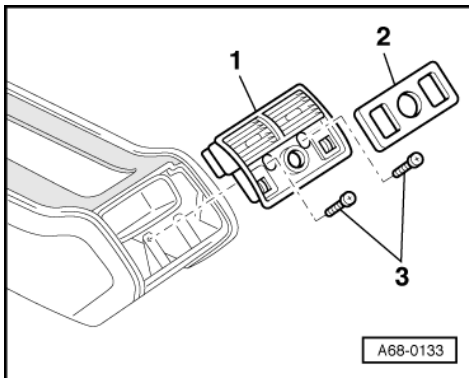
#### Vehicles with centre armrest:

- Remove centre armrest => Page 22 .

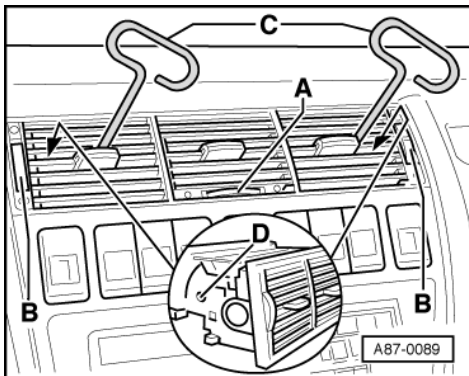


Protected by copyright. Copying for private or commercial purposes, in part or in whole, is not permitted unless authorised by AUDI AG. AUDI AG does not guarantee or accept any liability with respect to the correctness of information in this document. Copyright by AUDI AG.

All models:



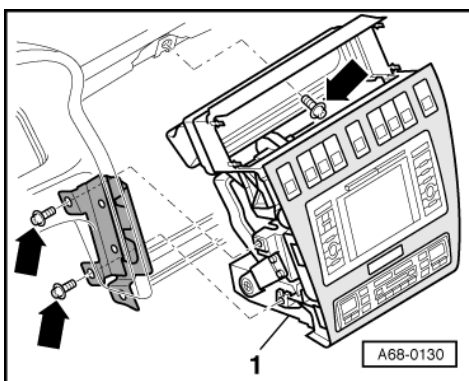
- -> Unclip trim -2-.
- Remove bolts -3-.
- Detach rear vent -1-.



- -> Insert auxiliary tool -C- in holes of dash panel vents -D-.
- Pull on dash panel vents evenly to remove from centre section of dash panel.

**Note:**

*Do not hook auxiliary tools -C- onto the slats of the dash panel vents, as slats could snap off.*

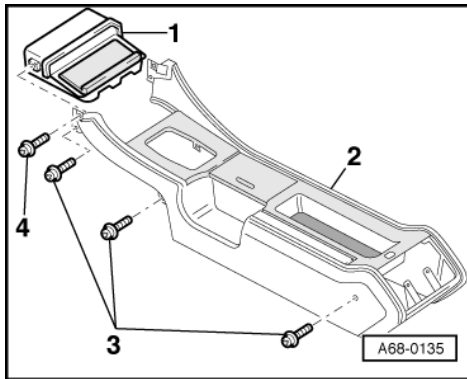


- -> Screw out 5 bolts -arrows-.
- Detach centre section of dash panel -1- and detach connectors.



Protected by copyright. Copying for private or commercial purposes, in part or in whole, is not permitted unless authorised by AUDI AG. AUDI AG does not guarantee or accept any liability with respect to the correctness of information in this document. Copyright by AUDI AG.





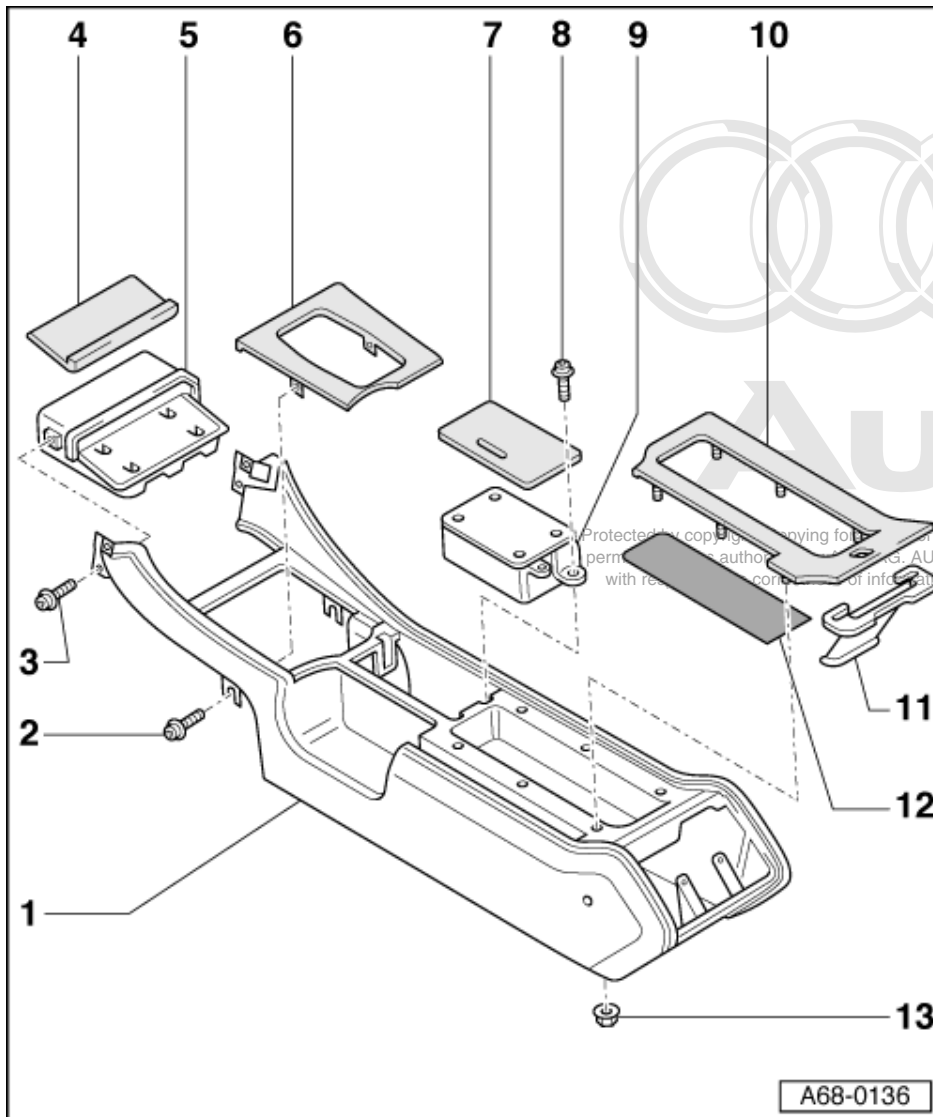
- -> Screw out bolts -4- on left and right.
- Press ashtray -1- forwards.
- Remove bolts -3-.
- Where applicable, use sharp knife to cut through bonded joint between centre console -2- and dash panel.
- Lift rear of centre console and guide it out frontward over handbrake lever.



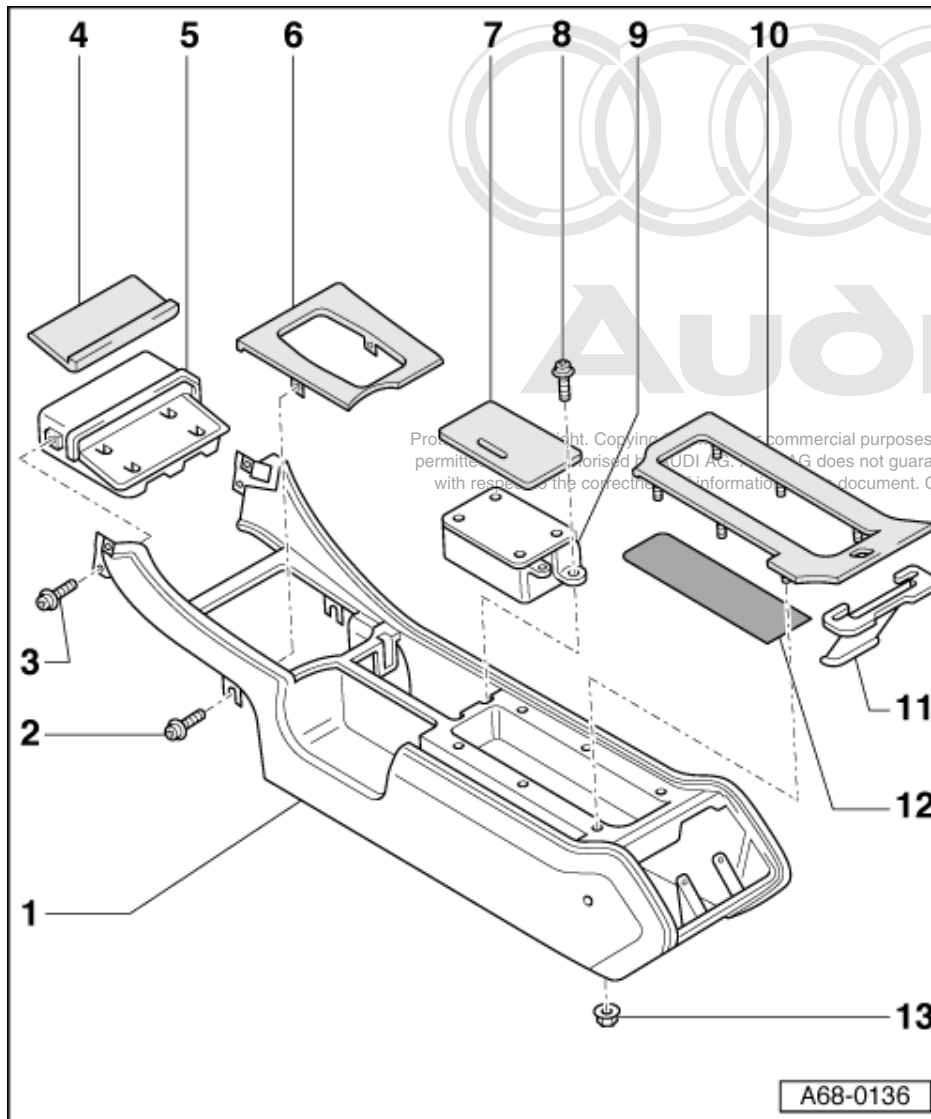
Audi

Protected by copyright. Copying for private or commercial purposes, in part or in whole, is not permitted unless authorised by AUDI AG. AUDI AG does not guarantee or accept any liability with respect to the correctness of information in this document. Copyright by AUDI AG.

## 2.9 - Removing and installing ashtray, storage compartment, gearshift mechanism trim and centre console trim



- 1 Centre console**
  - ◆ Removing and installing  
=>Page 10
- 2 Hexagon socket-head bolt - 2.5Nm**
  - ◆ 2 off
- 3 Hexagon socket-head bolt - 2.5Nm**
  - ◆ 2 off
- 4 Ashtray trim**
  - ◆ To remove close ashtray and detach trim rearwards



**5 Ashtray**

- ◆ To take out, remove centre console => Page 10

**6 Gearshift mechanism trim**

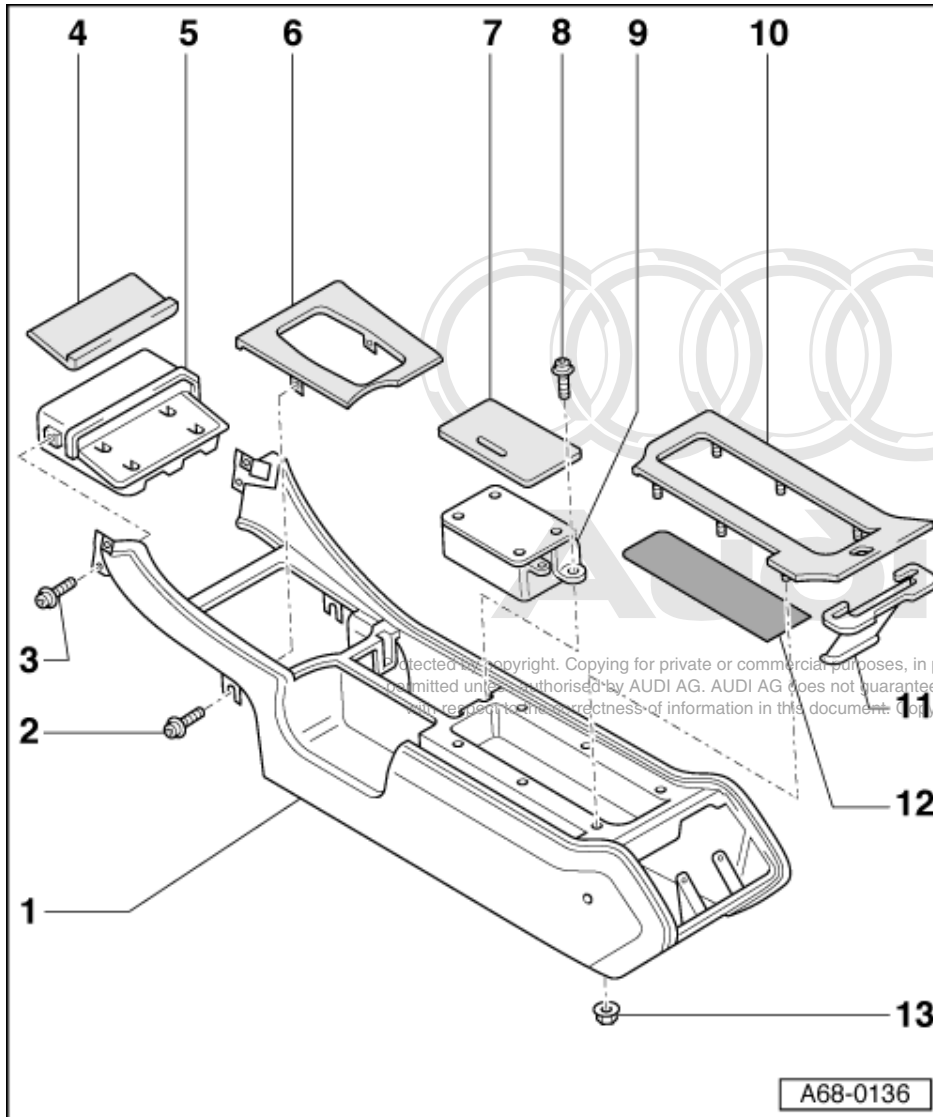
- ◆ For vehicles with automatic gearbox
- ◆ Removing:
  - Removing left/right trim from centre console
  - Unscrew 2 bolts -Item 2 -
- ◆ For vehicles with manual gearbox => Fig. 1

**7 Storage compartment trim**

- ◆ To take out, remove storage compartment -Item 9 - and press off trim from hinge side

**8 Crosshead screw - 1.5 Nm**

- ◆ 3 off



**9 Storage compartment**

- ◆ With lid
- ◆ To take out, remove centre console trim -Item 10 - and gearshift mechanism trim -Item 6 -

**10 Centre console trim**

- ◆ To take out, remove centre console and screw out nuts -Item 13 -

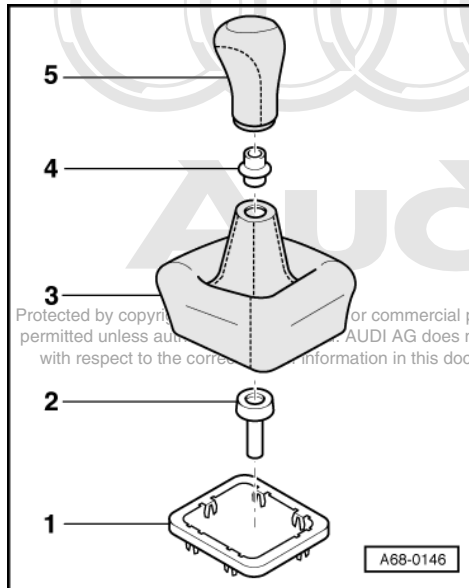
**11 End trim**

- ◆ To take out, remove centre console and trim -Item 10 -

**12 Mat**

**13 Nut - 0.5 Nm**

- ◆ 6 off



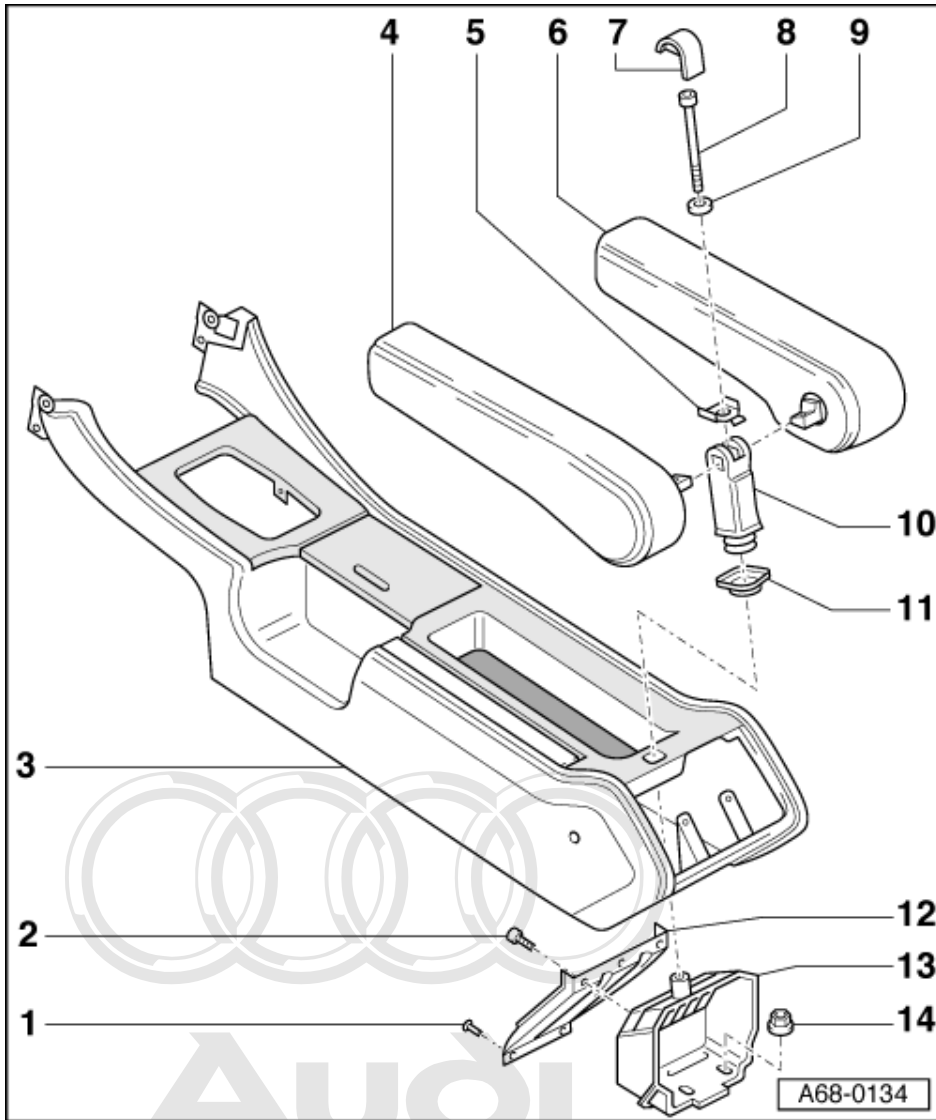
-> Fig.1 Gearshift mechanism trim in vehicles with manual gearbox

- 1 - Trim surround
- 2 - Threaded bushing
- 3 - Boot
- 4 - Threaded bushing
- 5 - Gear lever knob

**Note:**

*Trim surround -1- cannot be removed without damaging it. Wherever possible, boot must be removed together with gearshift mechanism trim -Item 19.*





**7 Cover**

- ◆ Clip onto spring plate -Item 5-

**8 Hexagon socket-head bolt - 22 Nm**

**9 Washer**

**10 Bracket for centre armrest**

- ◆ To remove screw out bolt -Item 8 - and tap on side of bracket with plastic-headed hammer

**11 Grommet**

**12 Support plate**

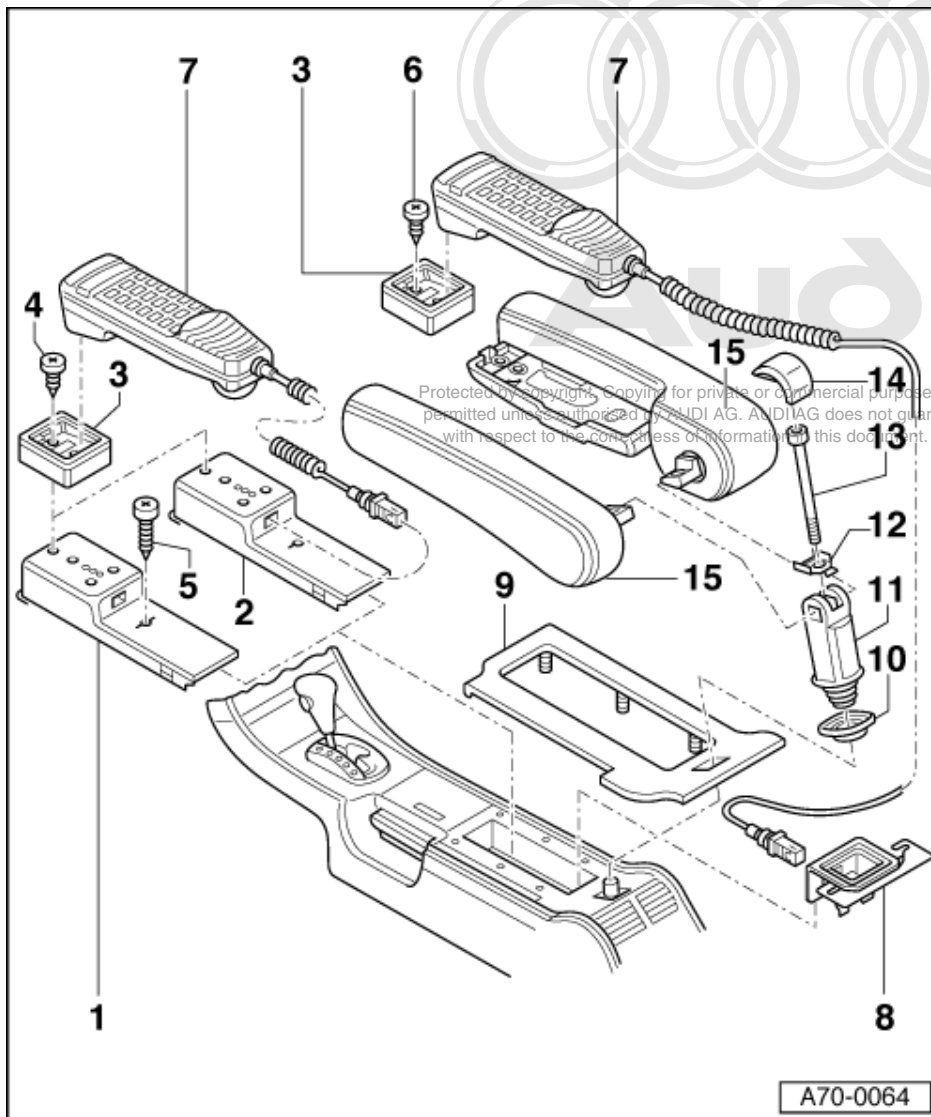
**13 Mounting**

- ◆ For centre armrest bracket

**14 Nut - 22 Nm**

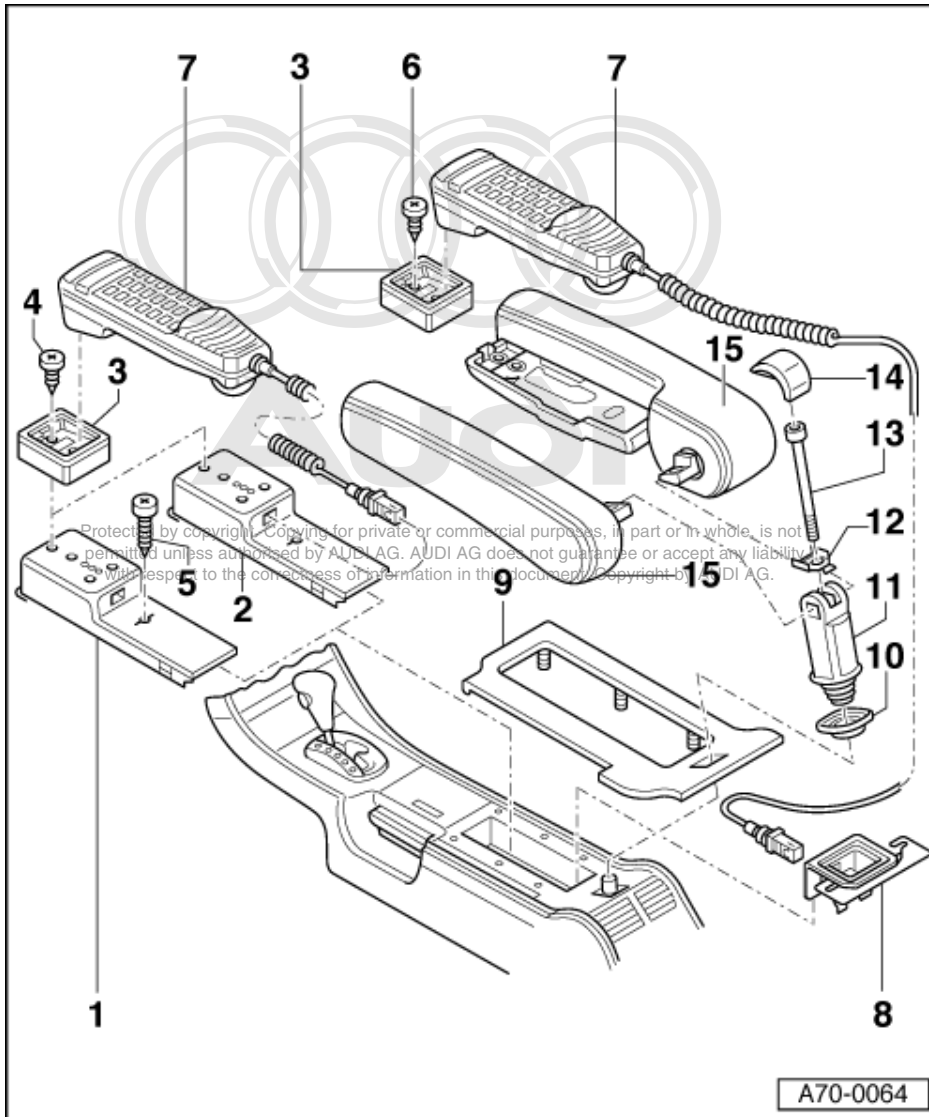
- ◆ 2 off

## 2.11 - Centre console/Centre armrest incorporating telephone



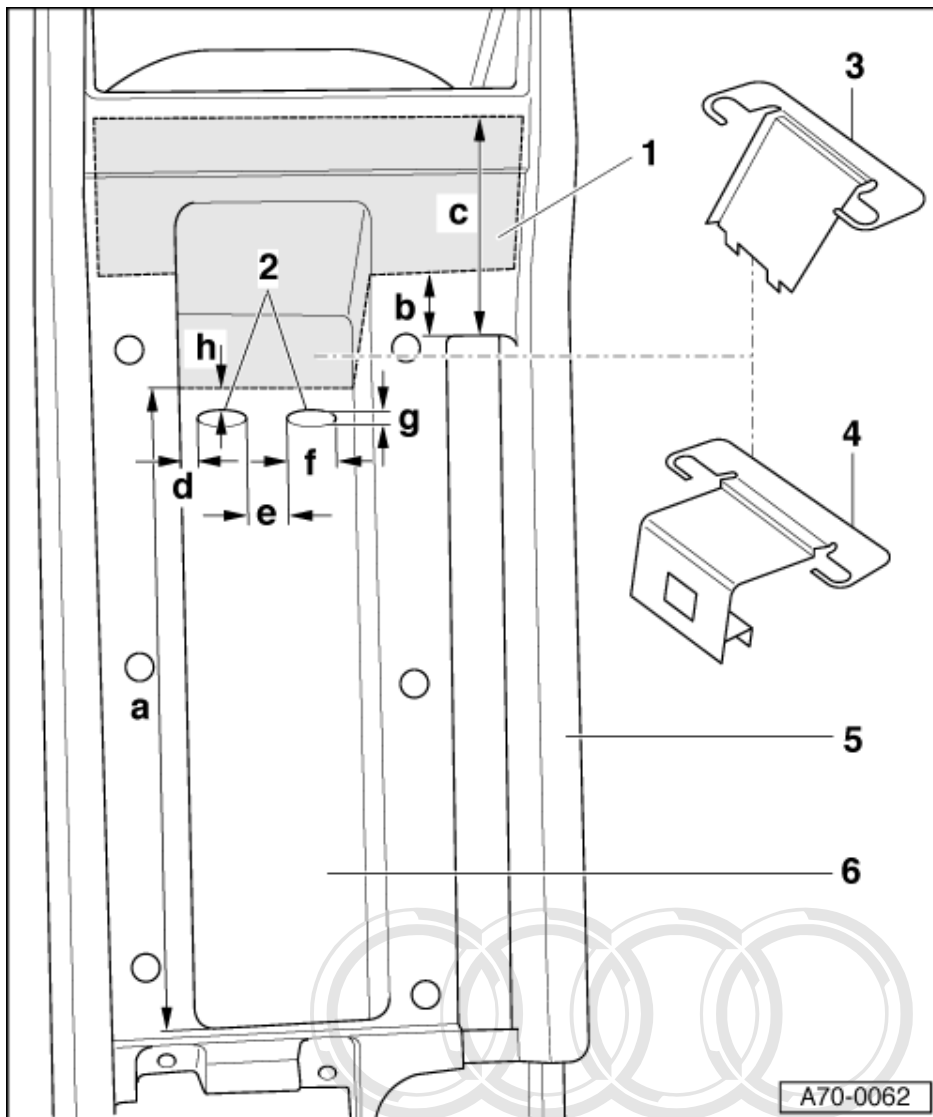
- 1 **Short mounting plate**
  - ◆ For installation in centre console storage compartment
- 2 **Long mounting plate**
  - ◆ For installation in centre console storage compartment
- 3 **Receiver holder**
  - ◆ For LU telephone from AEG only
- 4 **Crosshead screw - 0.8 Nm**
  - ◆ 2 off
- 5 **Crosshead screw - 1.1 Nm**
- 6 **Crosshead screw - 0.8 Nm**
  - ◆ 2 off





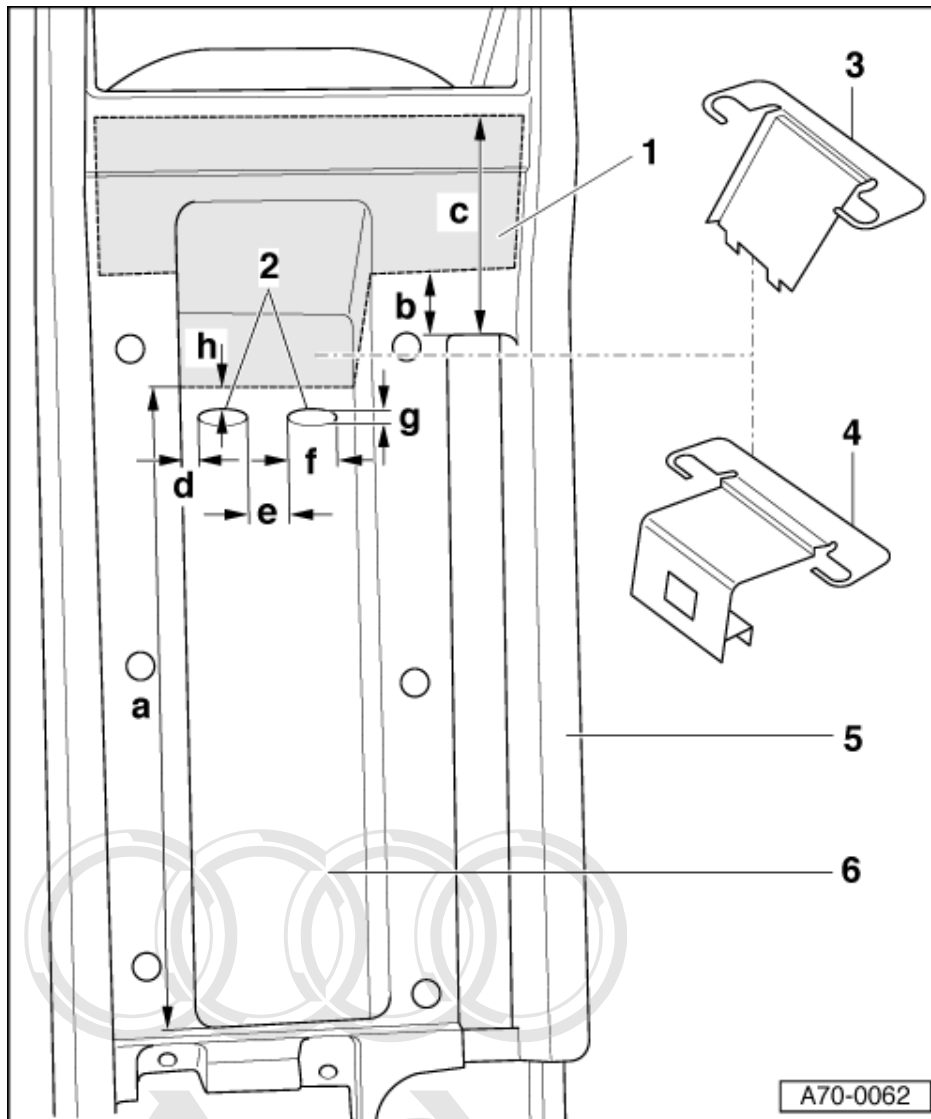
- 7 Radio telephone
- 8 End trim
  - ◆ With cable socket
- 9 Centre console trim
- 10 Grommet
- 11 Bracket for centre armrest
- 12 Spring plate
- 13 Hexagon socket-head bolt -22 Nm
- 14 Cover
  - ◆ Clip onto spring plate -Item 12 -
- 15 Centre armrest
  - ◆ 2 off

## 2.12 - Retrofitting centre armrest



- Remove centre console => Page 10 .
- Remove centre console trim  
=> Page 20 .
- Make cut-outs and holes in centre console as shown.
- Install support plate and mount for centre console bracket => Page 23 .
- Install centre armrest => Page 23 .

Protected by copyright. Copying for private or commercial purposes, in part or in whole, is not permitted unless authorised by AUDI AG. AUDI AG does not guarantee or accept any liability with respect to the correctness of information in this document. Copyright by AUDI AG.



**1 Cut-out for retrofitting centre armrest**

- Make cut-out with following dimensions:

a = 245 mm

b = 25 mm

c = 83 mm

Protected by copyright. Copying for private or commercial purposes, in part or in whole, is not permitted unless authorised by AUDI AG. AUDI AG does not guarantee or accept any liability with respect to the accuracy of the information. Copyright by AUDI AG.

**2 Slots for fitting storage compartment trim**

- Make slots with following dimensions:

d = 6 mm

e = 30 mm

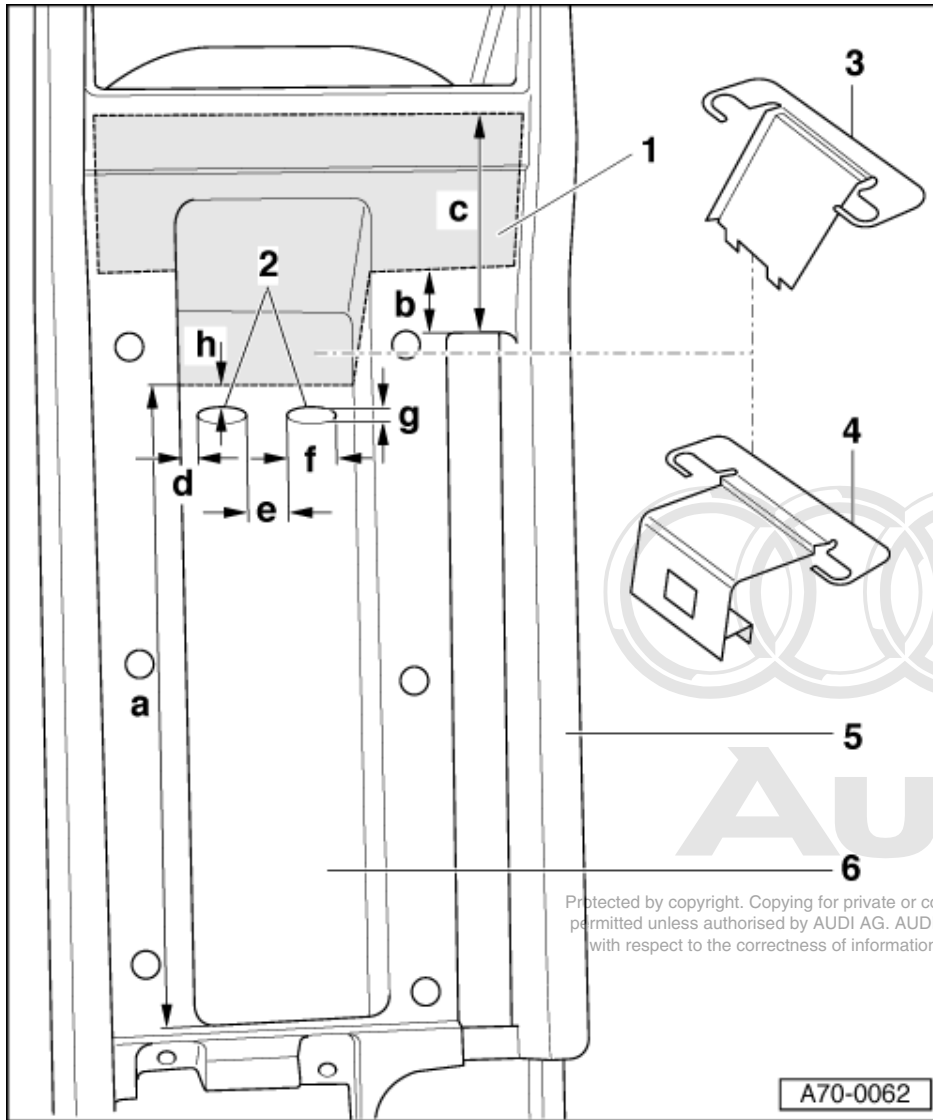
f = 14 mm

g = 4 mm

h = 6 mm

**3 End trim**

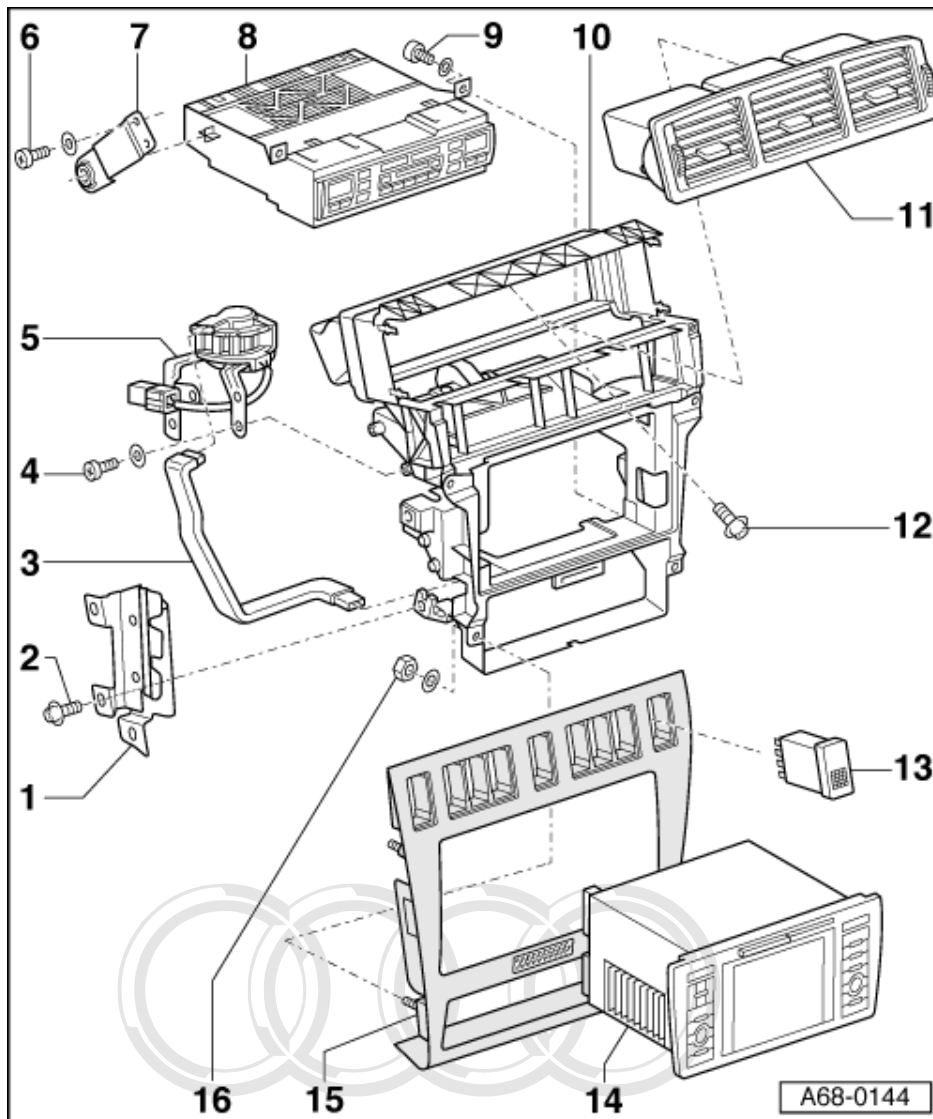
- ♦ For centre armrest not incorporating telephone



Protected by copyright. Copying for private or commercial purposes, in part or in whole, is not permitted unless authorised by AUDI AG. AUDI AG does not guarantee or accept any liability with respect to the correctness of information in this document. Copyright by AUDI AG.

- 4 End trim
  - ◆ For telephone installation with cable socket
- 5 Centre console
- 6 Storage compartment

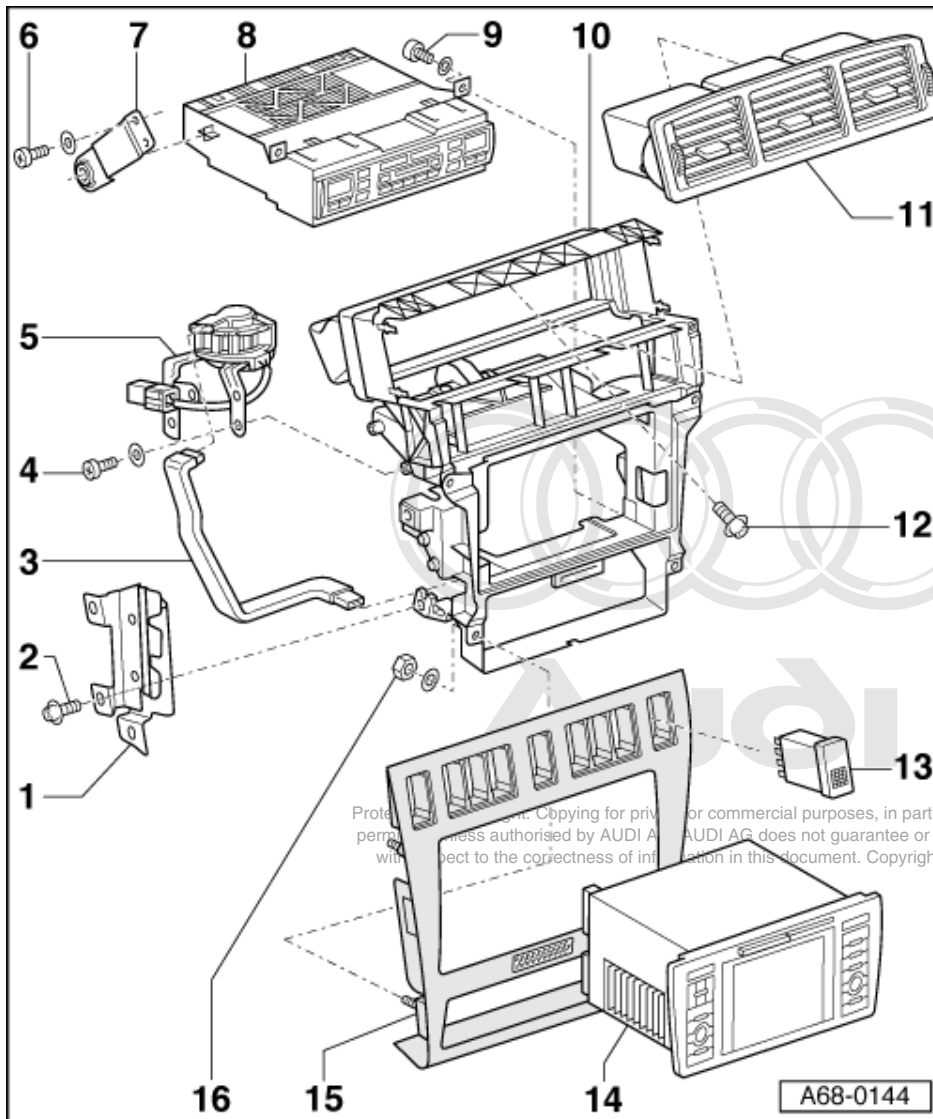
## 2.13 - Centre section of dash panel - Exploded view



**Note:**

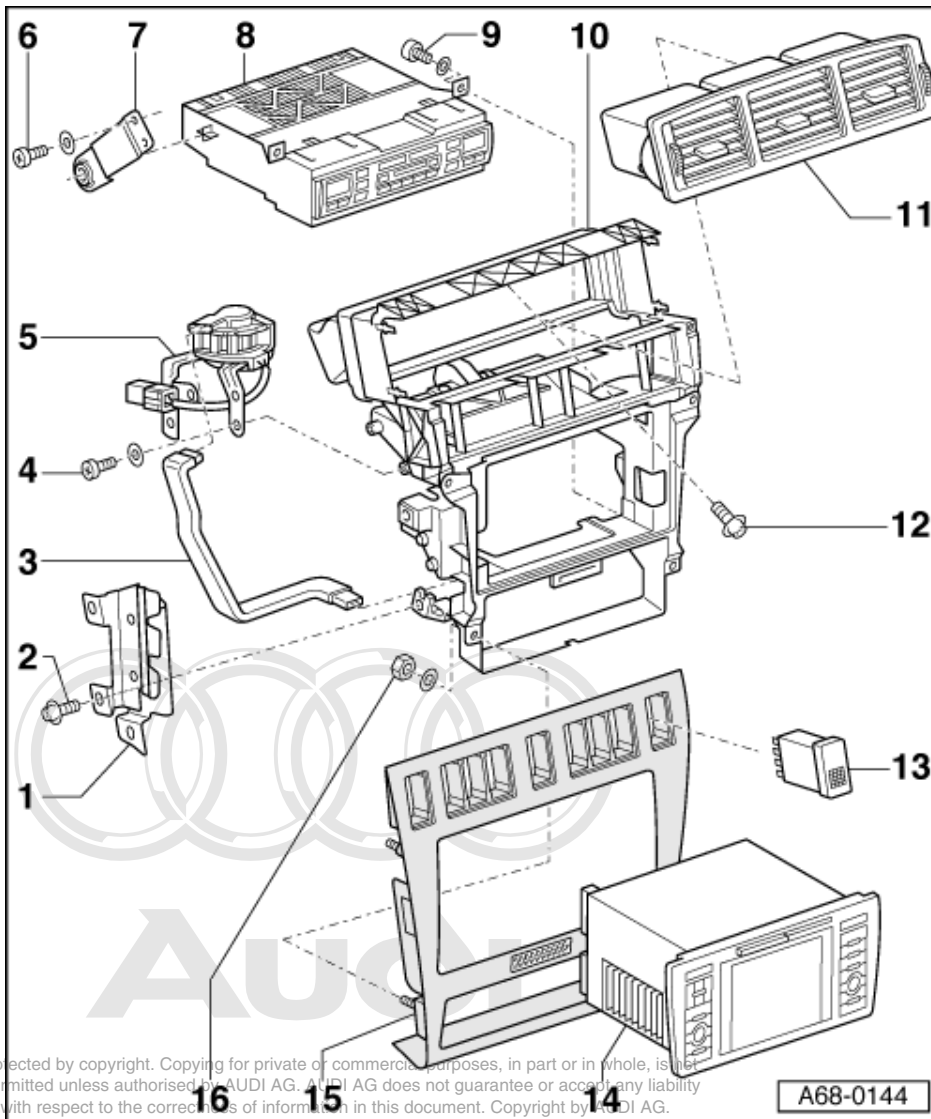
*Fig. shows version with radio navigation system*

- 1 **Bracket**
- 2 **Hexagon socket-head bolt - 2.5Nm**
  - ◆ 4 off
- 3 **Connecting hose**
- 4 **Crosshead screw - 1.2 Nm**
  - ◆ 3 off
- 5 **Temperature sensor blower -V42**



Protection of intellectual property. Copying for private or commercial purposes, in part or in whole, is not permitted without the express authorisation by AUDI AG. AUDI AG does not guarantee or accept any liability with respect to the correctness of information in this document. Copyright by AUDI AG.

- 6 Crosshead screw - 1.2 Nm**
  - ◆ 4 off
- 7 Bracket**
- 8 Operating and display unit -E87**
  - ◆ For air conditioner
- 9 Hexagon socket-head bolt - 2Nm**
- 10 Centre section of dash panel**
- 11 Centre dash panel vent**
  - ◆ Removing with improvised tool  
=> Page 32
- 12 Hexagon socket-head bolt - 2.5Nm**



Protected by copyright. Copying for private or commercial purposes, in part or in whole, is not permitted unless authorised by AUDI AG. AUDI AG does not guarantee or accept any liability with respect to the correctness of information in this document. Copyright by AUDI AG.

**13 Switch**

- ◆ To remove press from rear out of trim

**14 Control unit for navigation system operating controls -J402**

- ◆ Refer to coding, if necessary, establish
- ◆ Removing:

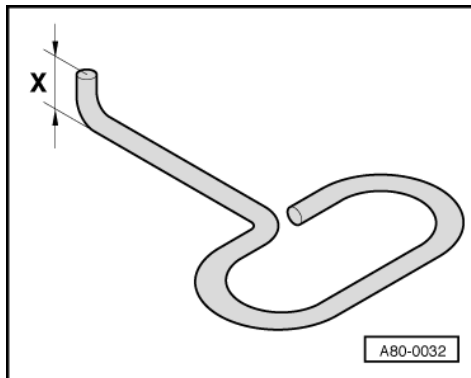
=> Radio, Navigation, Telephone; Repair group 91; Radio-Navigation System (RNS); Removing and installing Electronic Navigation System control unit -J402 Radio-Navigation System (RNS) Removing and installing Electronic Navigation System control unit -J402

**15 Trim for centre section of dash panel**

**16 Nut - 1.2 Nm**

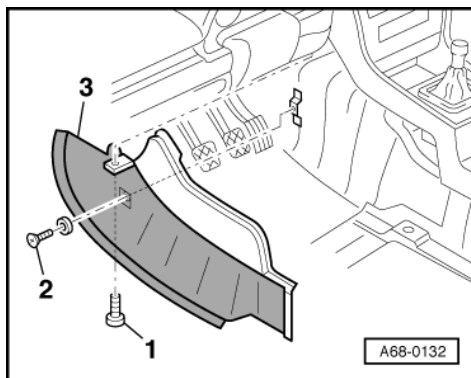
- ◆ Self-locking
- ◆ Replace
- ◆ 4 off

## 2.14 - Removing and installing centre section of dash panel

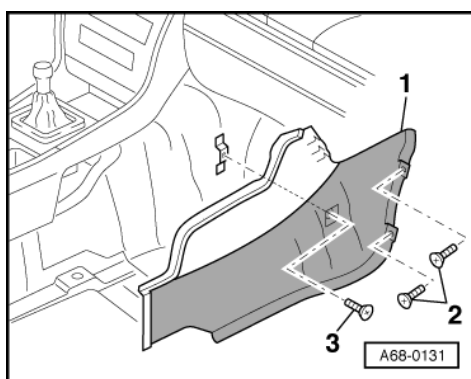


- Make improvised tool for dismantling vents.
- -> Bend a 3 mm  $\varnothing$  wire as shown in the illustration.
  - Dimension x = 6 mm
- Remove telephone/mobile phone receiver holder => Page 24 .
- Move front seats to furthest rearward position.
- Remove floor covering on left and right => Page 200

Protected by copyright. Copying for private or commercial purposes, in part or in whole, is not permitted unless authorized by AUDI AG. AUDI AG does not guarantee or accept any liability with respect to the correctness of information in this document. Copyright by AUDI AG.

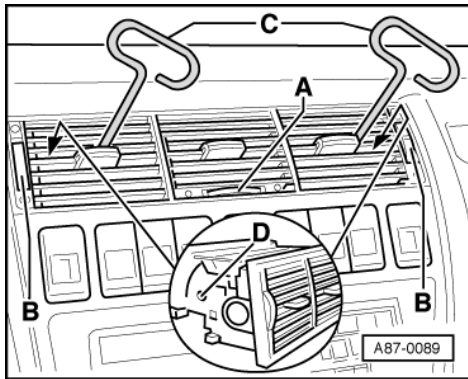


- Turn accelerator pedal stop 1/4 turn (90°) anti-clockwise.
- -> Remove bolts -1- and -2-.
- Detach left trim from centre console -3-.
  - To detach, push trim forwards and disengage at rear.



- -> Remove bolts -2- and -3-.
- Front bolts -2- become accessible after folding back floor covering.
- Detach right trim from centre console -1-.
  - To detach, push trim forwards and disengage at rear.

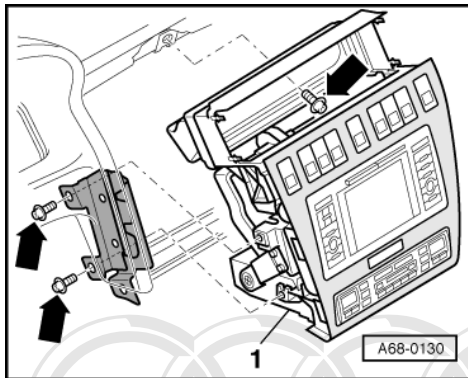




- -> Insert auxiliary tool -C- in holes of dash panel vents -D-.
- Pull on dash panel vents evenly to remove from centre section of dash panel.

**Note:**

*Do not hook auxiliary tools -C- onto the slats of the dash panel vents, as slats could snap off.*

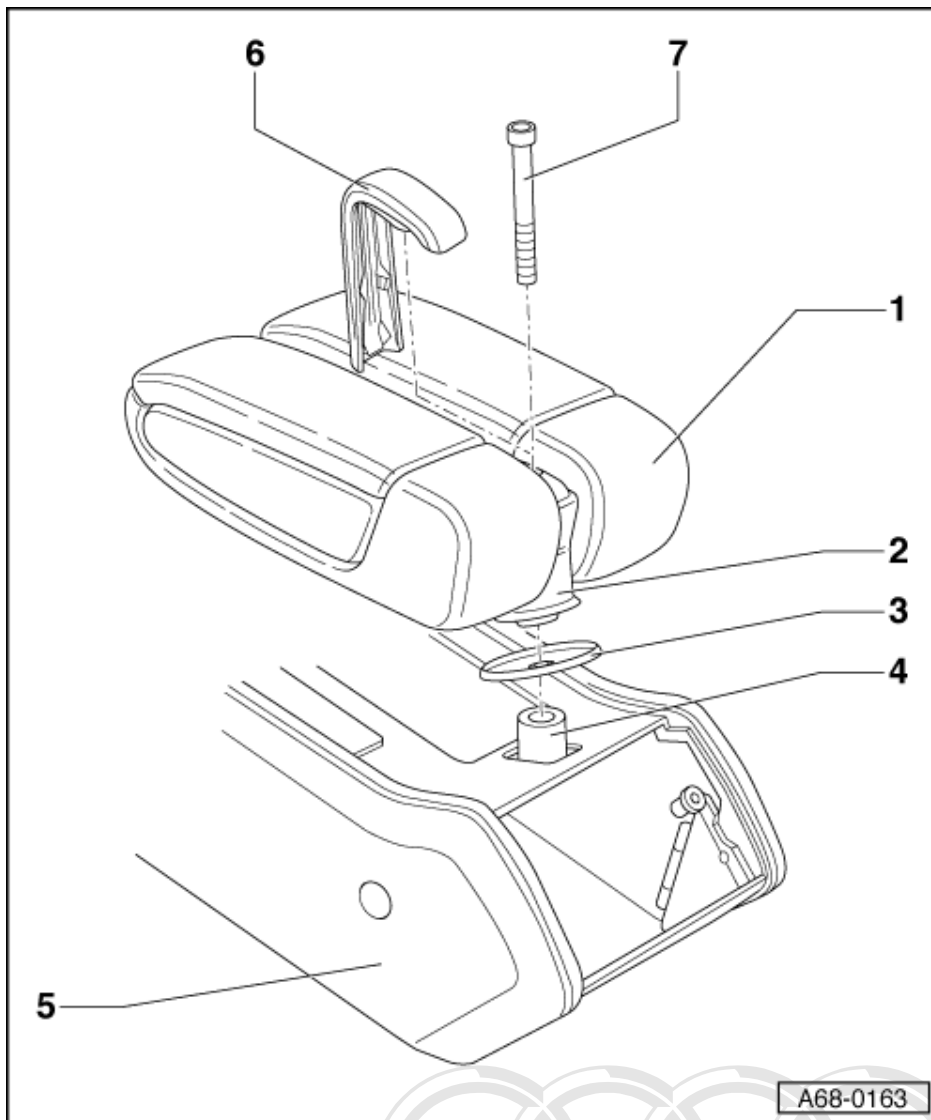


- -> Screw out 5 bolts -arrows-.
- Pull out centre section of dash panel -1- slightly.
- Detach wires and unplug connectors.
- Detach centre section of the dash panel.
- Removing electronic navigation system control unit -J402:

=> Radio, Navigation, Telephone; Repair group 91; Radio-Navigation System (RNS); Removing and installing Electronic Navigation System control unit -J402 Radio-Navigation System (RNS) Removing and installing Electronic Navigation System control unit -J402

### 3 - Centre armrest introduced as of 10.98

#### 3.1 - Centre armrest introduced as of 10.98



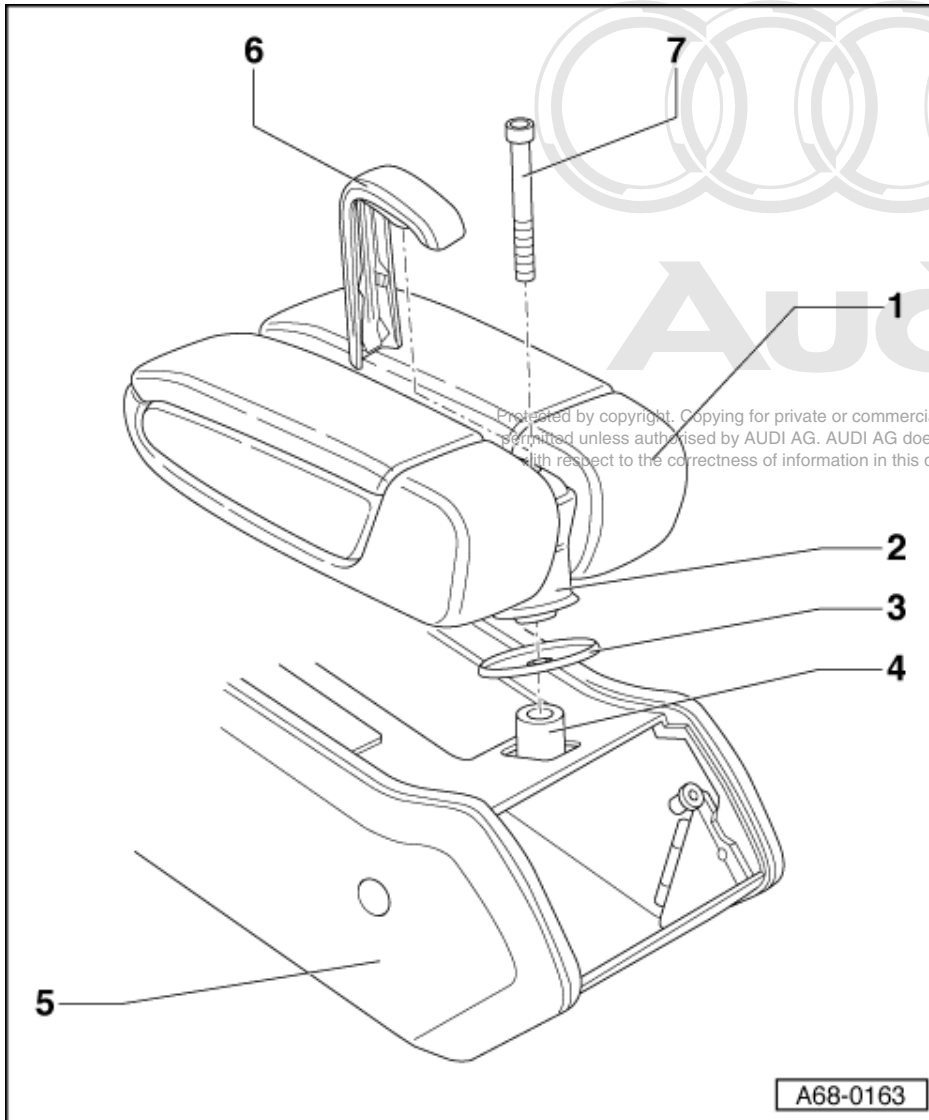
#### 3.2 - Removing and installing centre armrest

**Note:**

Move front seats down and to rear until the centre armrest is freely accessible.

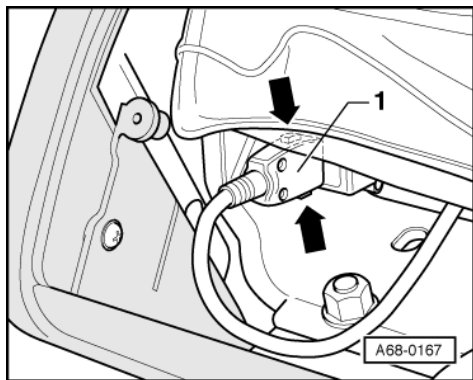
##### 1 Centre armrest

- Remove cover in centre console => Fig.: 3 .
- Detach light connector => Fig.: 4 .
- Remove rear vent => Fig.: 2 .
- On vehicles incorporating telephone detach connector => Fig.: 1 .



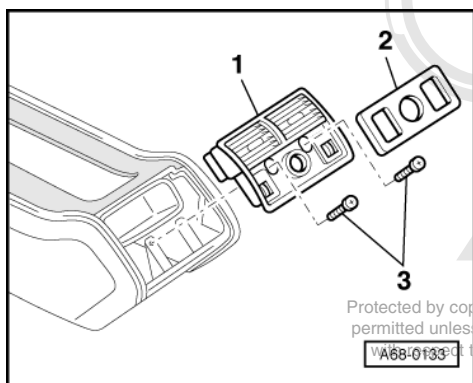
- Pull through telephone cable frontward under air duct.
- Remove cover -6- => Page 68-43.
- Remove bolt -7- (1x).
- Detach centre armrest -1- with support.

- 2 Support**
- 3 Grommet**
- 4 Mounting**
  - ◆ For centre armrest bracket
- 5 Centre console**
- 6 Cover**
  - ◆ Removing => Page 68-43
- 7 Hexagon socket-head bolt**
  - ◆ 2 off



**Fig.:1 Detaching connector for telephone**

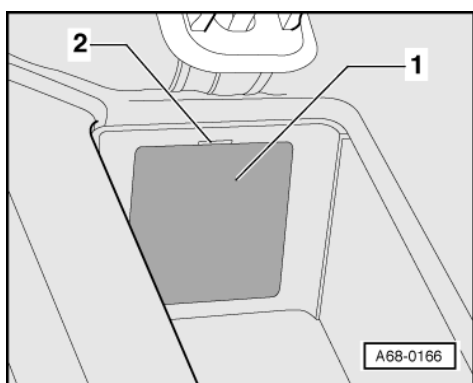
- Press buttons (arrows) and unplug telephone connector -1-.



Protected by copyright. Copying for private or commercial purposes, in part or in whole, is not permitted unless authorised by AUDI AG. AUDI AG does not guarantee or accept any liability for the correctness of information in this document. Copyright by AUDI AG.

**Fig.:2 Removing rear vent**

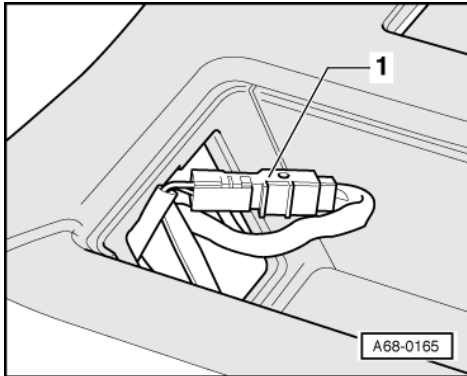
- -> Unclip trim -2-.
- Remove bolts -3-.
- Detach rear vent -1-.
- Detach connectors.



**Fig.3 Removing cover of centre console**

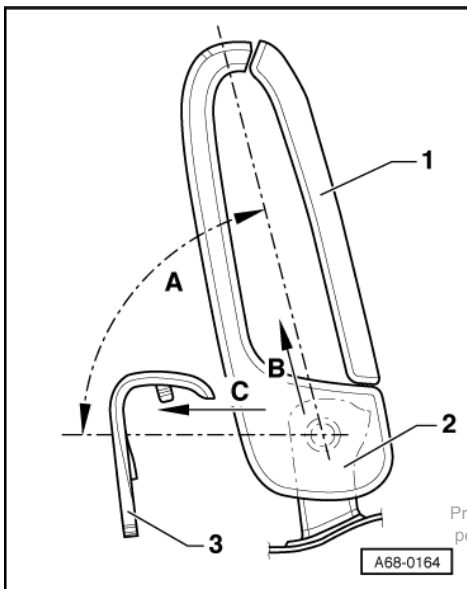
- Lever off cover -1- at cut-out -2-.

Fig.:4 Detaching connector for lighting



- Pull cable out of cut-out.
- Detach connector -1-.
- Vehicles with no telephone have two connectors -1-.

### 3.3 - Removing and installing trim for support

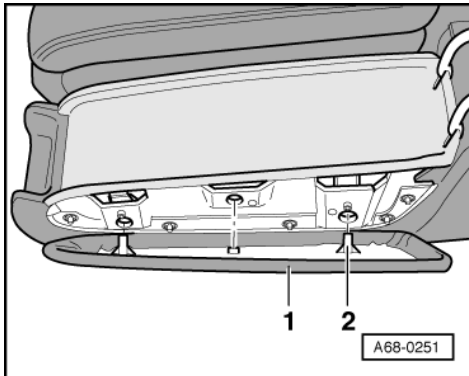


- -> Engage armrest -1- in 75° position (arrow -A-).
- First pull trim -3- upwards (arrow -B-).
- Detach trim -3- forwards (arrow -C-) from support -2-.



Protected by copyright. Copying for private or commercial purposes, in part or in whole, is not permitted unless authorised by AUDI AG. AUDI AG does not guarantee or accept any liability with respect to the correctness of information in this document. Copyright by AUDI AG.

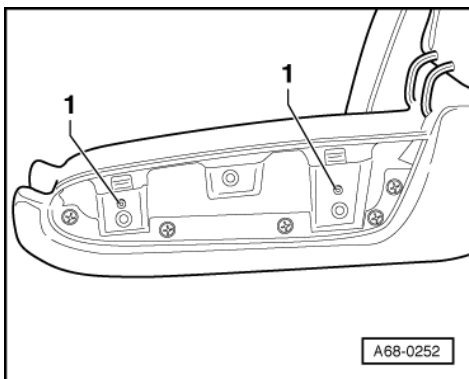
### 3.4 - Removing and installing centre armrest trim



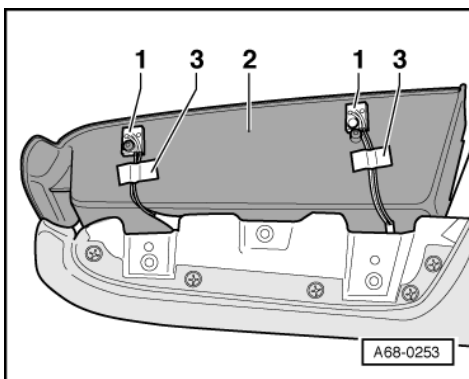
- -> Apply a flat-headed screwdriver to securing pins -2- (6x right and left) and lever out inner and outer trim -1- from rear forwards.
- Detach trim -1- (2x right and left).

Protected by copyright. Copying for private or commercial purposes, in part or in whole, is not permitted unless authorised by AUDI AG. AUDI AG does not guarantee or accept any liability with respect to the correctness of information in this document. Copyright by AUDI AG.

### 3.5 - Removing and installing centre armrest storage compartment

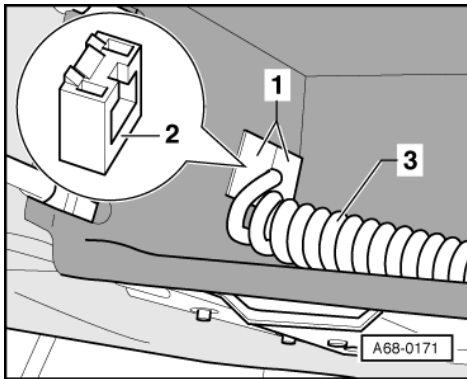


- Remove inner and outer trim panels => Page 38
- -> Screw out bolts -1- (4x left and right).



#### Storage compartment without lift

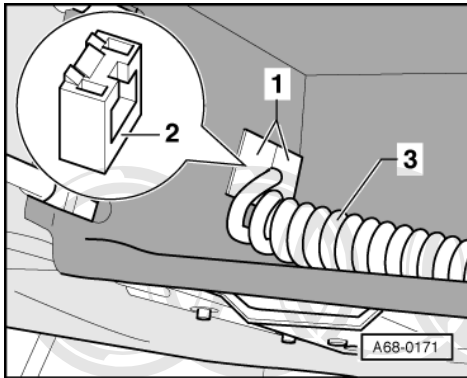
- Carefully lift out storage compartment -2-.
- Pull off adhesive tape -3-.
- -> Detach light -1- (2x) from storage compartment.



### Storage compartment with lift

#### Removing

- -> With mobile phone: Remove grommets -1-.
- Remove cable -3- => Page 42
- With telephone: Release connector -2-.

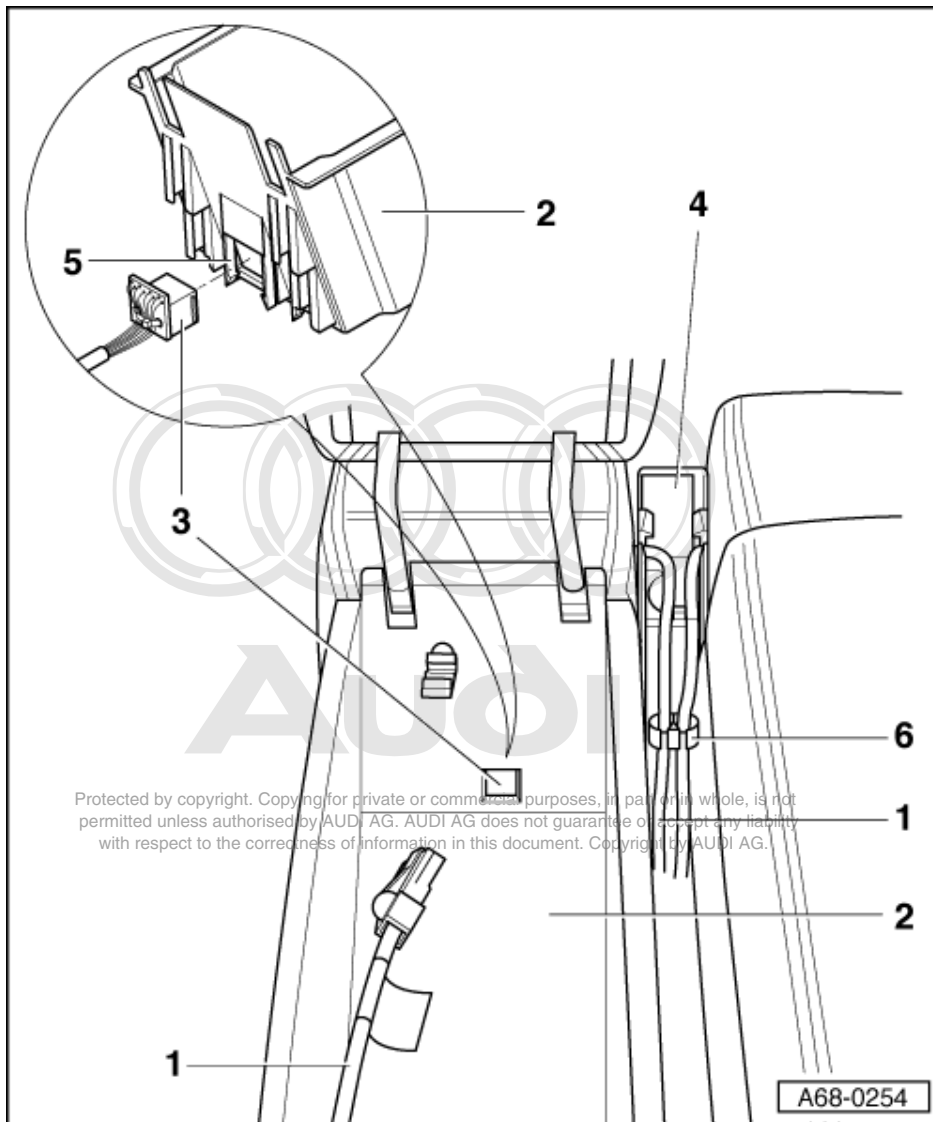


### Storage compartment with lift

#### Installing

#### **Note:**

Protected by copyright. Copying for private or commercial purposes, in part or in whole, is not permitted.  
**After installation of storage compartment, adjust cable +2+ and -3-**  
with respect to the correctness of information in this document. Copyright by AUDI AG.

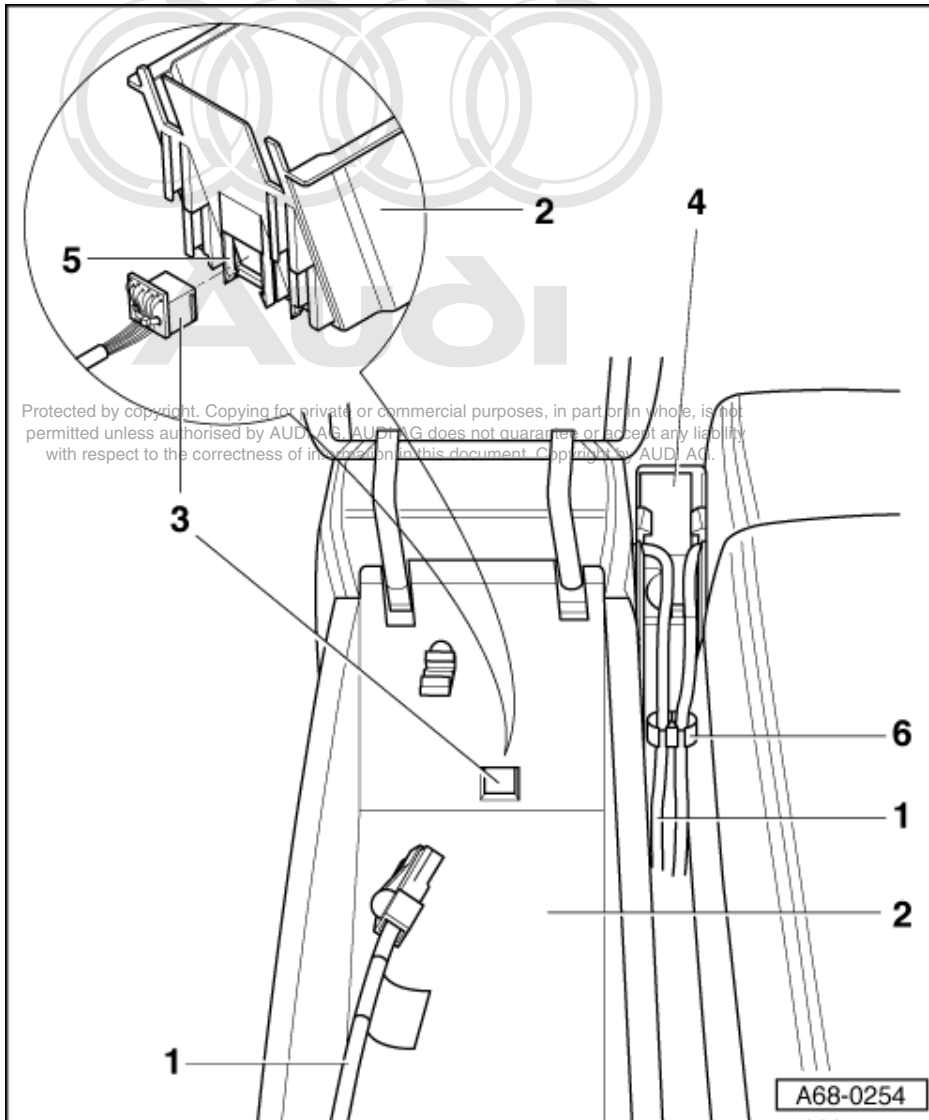


### Storage compartment with Cullmann lift

#### 1 Telephone cable

- Disconnect telephone cable -1- in storage compartment -2- from socket -3-.
- Unclip telephone cable -1- from clip -6- on support -4-.
- Push telephone cable through -1- at support -4- and carefully remove storage compartment -2- forwards.
- Push socket of telephone cable -3- downwards out of holder -5- on storage compartment -2-.
- Detach storage compartment -2- with lift.



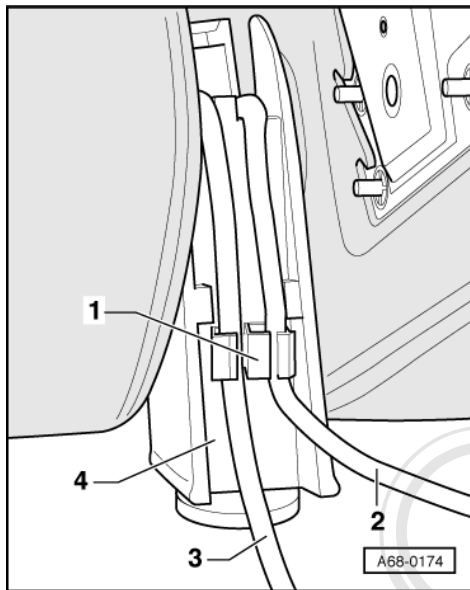


- 2 Storage compartment
- 3 Socket for telephone cable
- 4 Support
- 5 Holder on storage compartment
- 6 Clip

**Note:**

*After installation, adjust telephone cable -1- at support -4-.*

### 3.6 - Removing and installing centre armrest cables

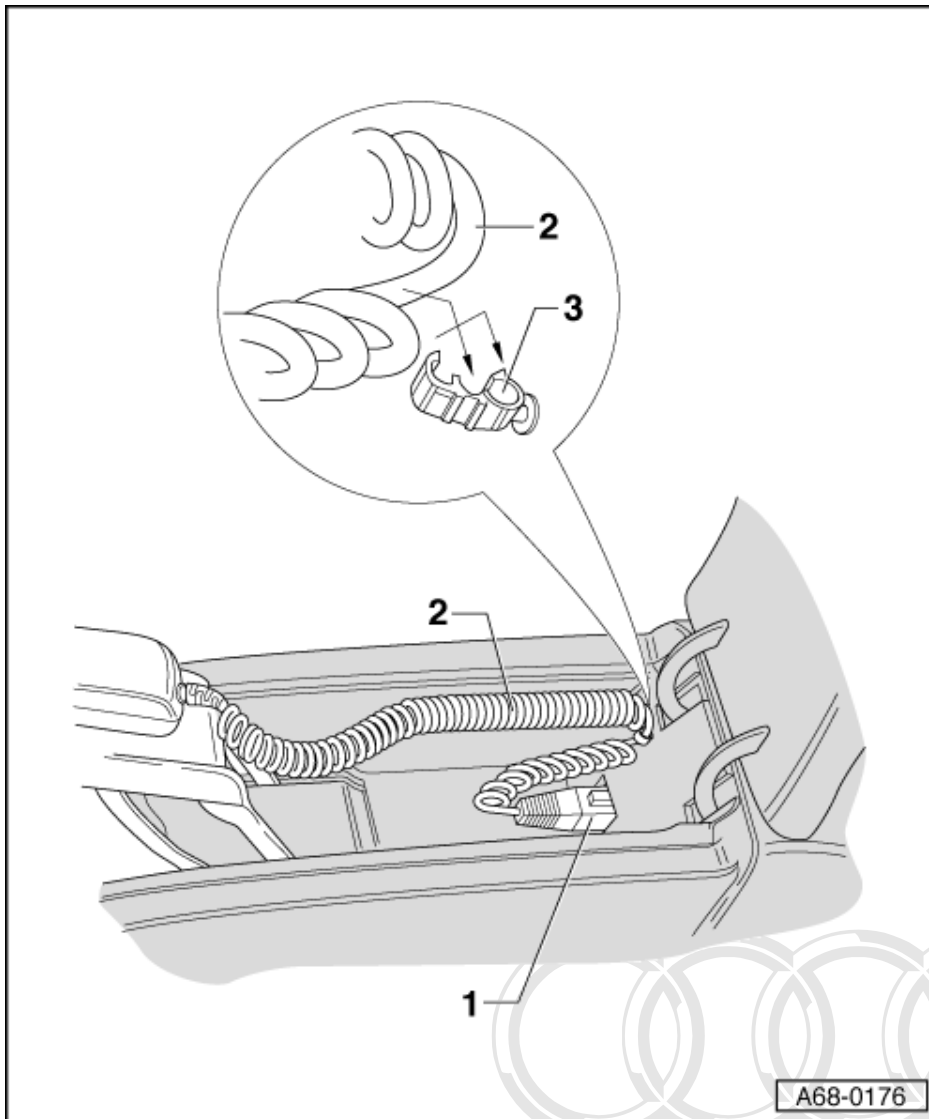


- Remove centre armrest => Page 34 .
- Remove left and right storage compartment => Page 38
- -> Unclip cables from clip -1-.
- Remove left and right centre armrest => Page 47 .
- Guide cable through centre armrest.

- 1 - Clips
- 2 - Cable for left centre armrest
- 3 - Cable for right centre armrest
- 4 - Support

Protected by copyright. Copying for private or commercial purposes, in part or in whole, is not permitted unless authorised by AUDI AG. AUDI AG does not guarantee or accept any liability with respect to the correctness of information in this document. Copyright by AUDI AG.

### 3.7 - Centre armrest cable routing for telephone installation



**1 Connector**

- Start by inserting connector.
- Then engage clip.

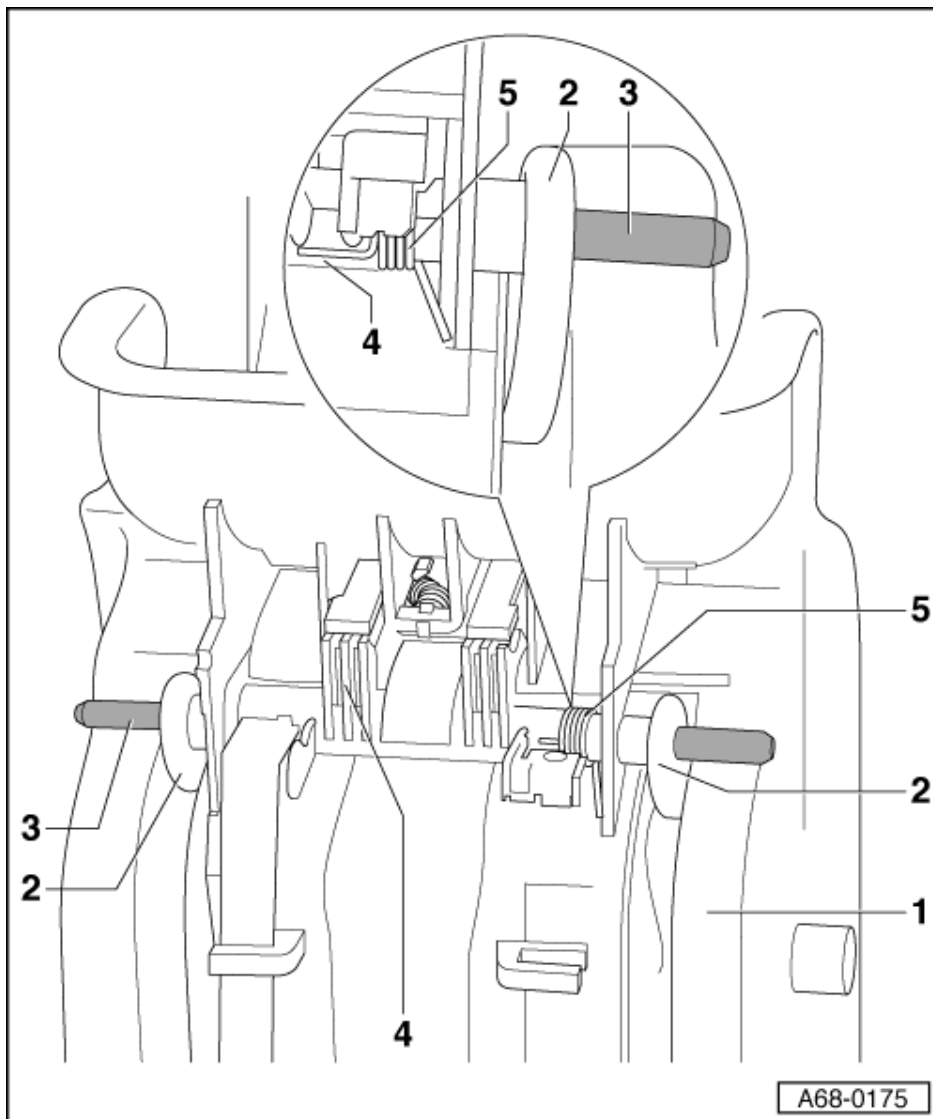
**2 Cable**

**3 Clip**

- ◆ Fasten into clip at telephone cable winding  $10 \pm 2$ .

Protected by copyright. Copying for private or commercial purposes, in part or in whole, is not permitted unless authorised by AUDI AG. AUDI AG does not guarantee or accept any liability with respect to the correctness of information in this document. Copyright by AUDI AG.

### 3.8 - Removing and installing centre armrest lift



- ◆ Installing
  - Remove left/right trim of centre armrest=> Page 38 .
  - Remove storage compartment => Page 38 .

#### 1 Storage compartment

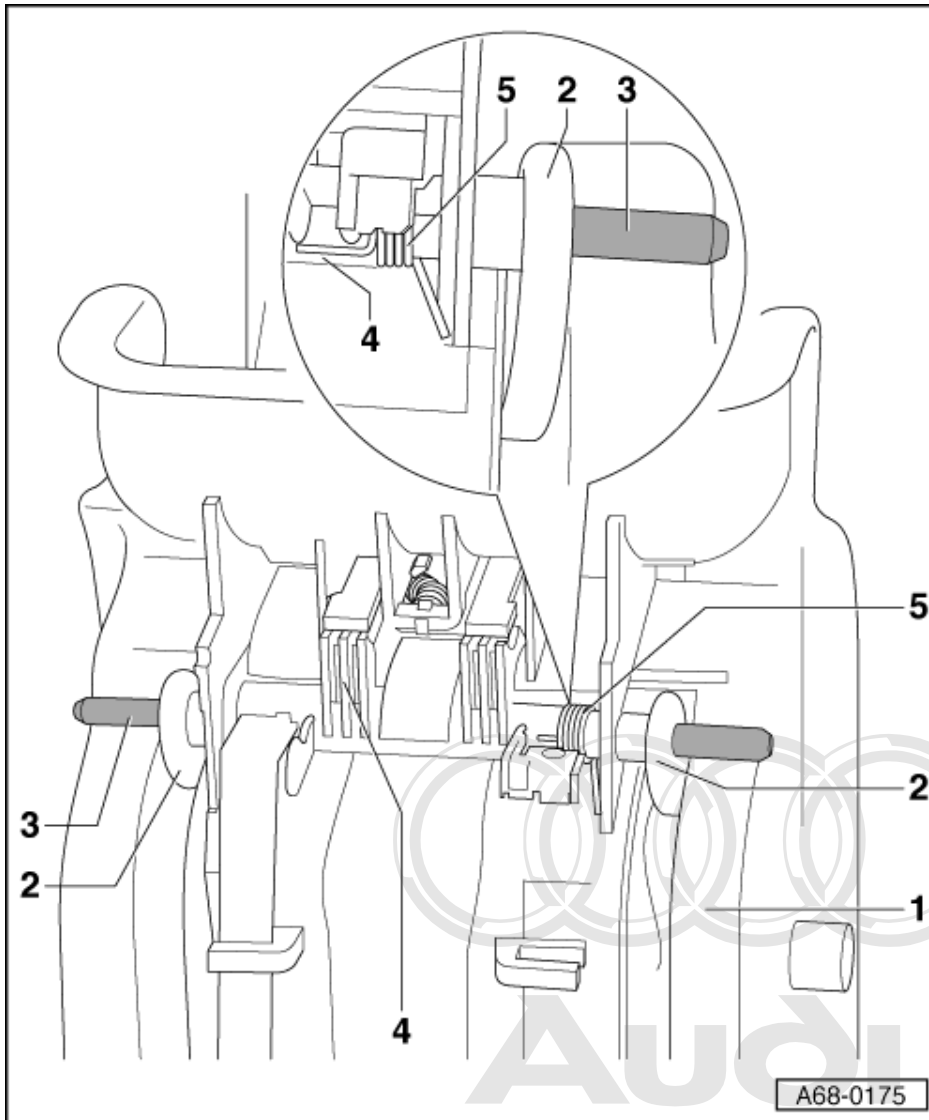
#### 2 Arm for lift

- ◆ 4 off
  - Remove storage compartment => Page 38 .
  - Press out pins -3- (2x) while supporting arm for lift -2-.



**Audi**

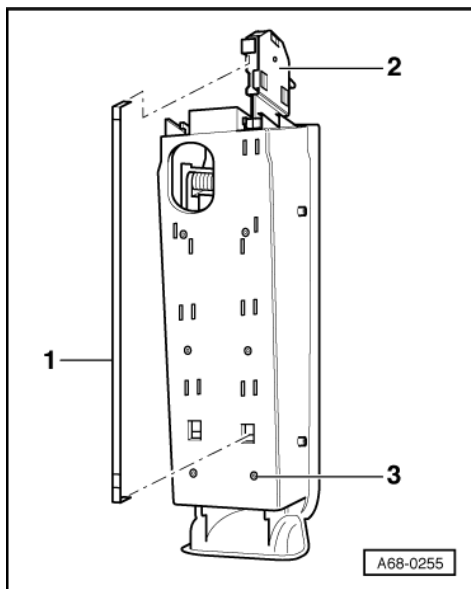
Protected by copyright. Copying for private or commercial purposes, in part or in whole, is not permitted unless authorised by AUDI AG. AUDI AG does not guarantee or accept any liability with respect to the correctness of information in this document. Copyright by AUDI AG.



- 3 Pin
  - ◆ 2 off
- 4 Lift release mechanism
- 5 Spring

Protected by copyright. Copying for private or commercial purposes, in part or in whole, is not permitted unless authorised by AUDI AG. AUDI AG does not guarantee or accept any liability with respect to the correctness of information in this document. Copyright by AUDI AG.

### 3.9 - Removing and installing centre armrest with Cullmann lift

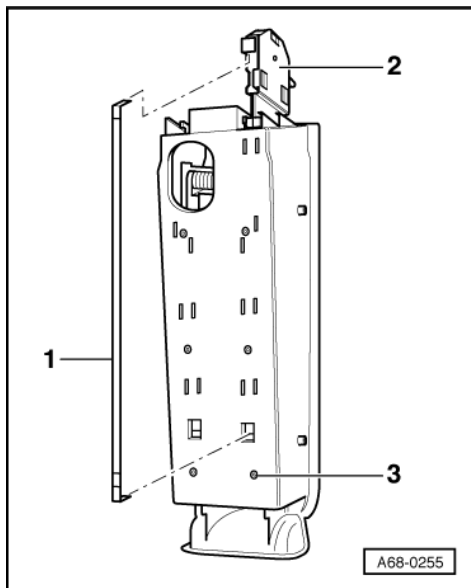


◆ Removing

- Remove left/right trim of centre armrest => Page 38 .
- Remove storage compartment => Page 38 .

1 - Metal rail

- Pull metal rail -1- upwards and remove sideways.



- Detach springs -2- downwards.
- Unscrew bolts -3- (6x).

2 - Springs  
 3 - Bolts (6x)

◆ Installing

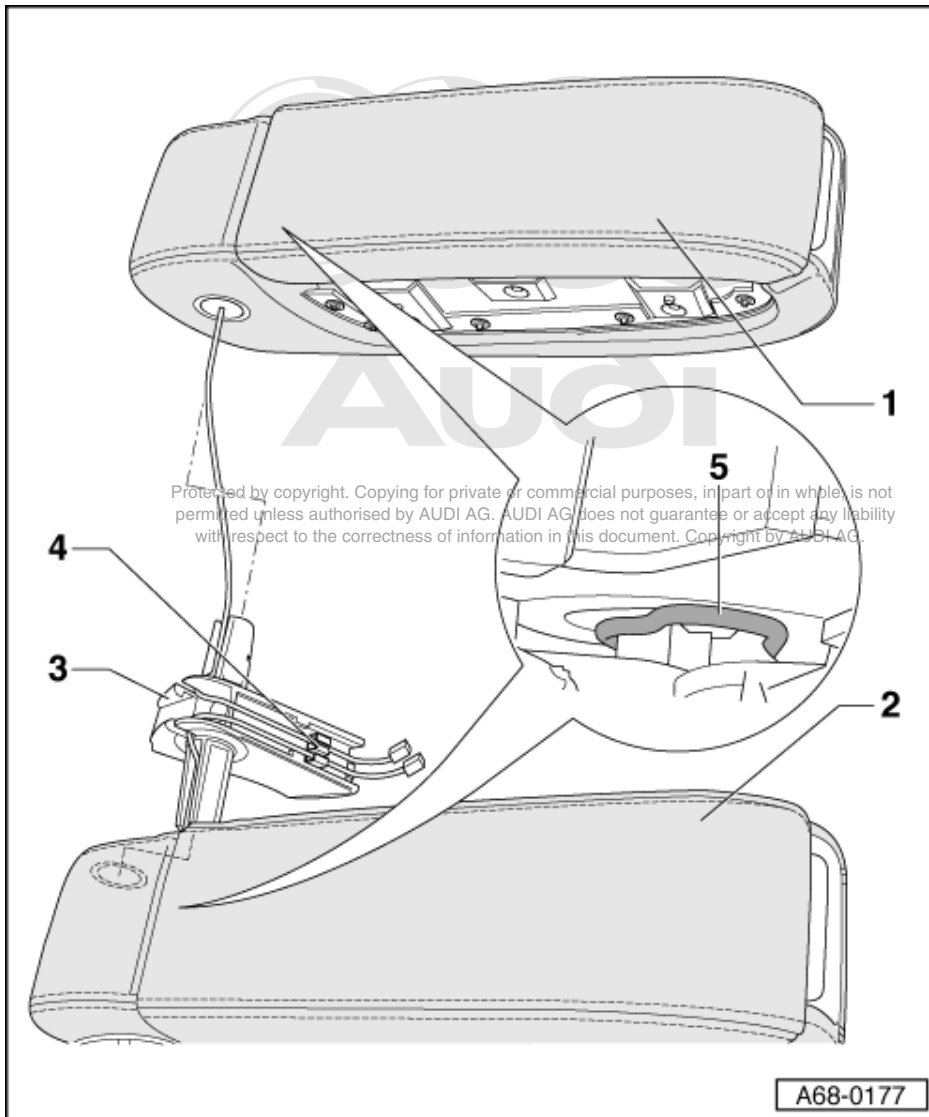


Protected by copyright. Copying for private or commercial purposes, in part or in whole, is not permitted unless authorised by AUDI AG. AUDI AG does not guarantee or accept any liability with respect to the correctness of information in this document. Copyright by AUDI AG.

**Note:**

*Springs must be installed at opposite side to support.*

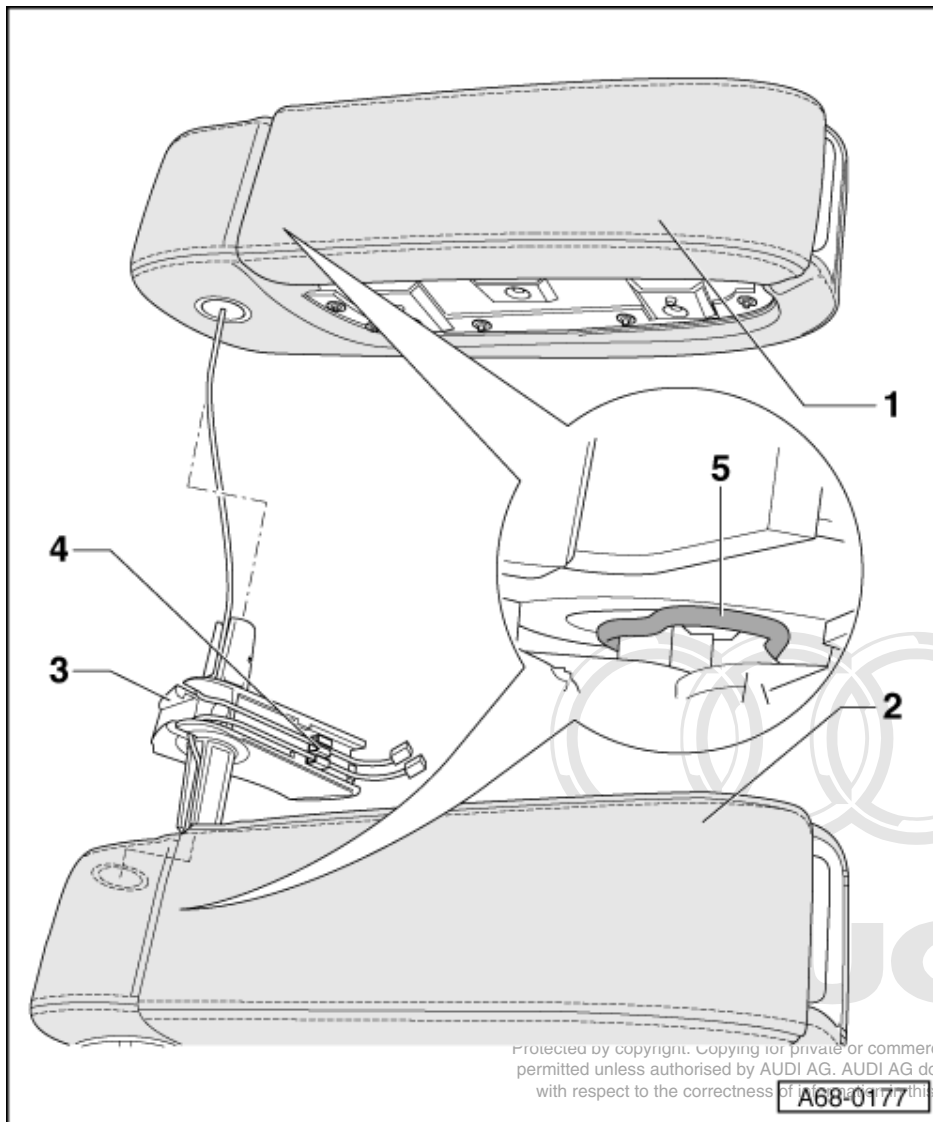
### 3.10 - Detaching left and right centre armrest with clamp



**1 Left centre armrest**

**2 Right centre armrest**

- Remove centre armrest  
=> Page 34 .
- Remove left and right storage compartment => Page 38 .
- ◆ Removal of centre armrests is identical for left and right side
- Fold centre armrest left -1- and right -2- up.
- Pull out clamp -3-.
- Pull cables out of clip -4-.
- Re-install centre armrest to enable continuation of subsequent work.

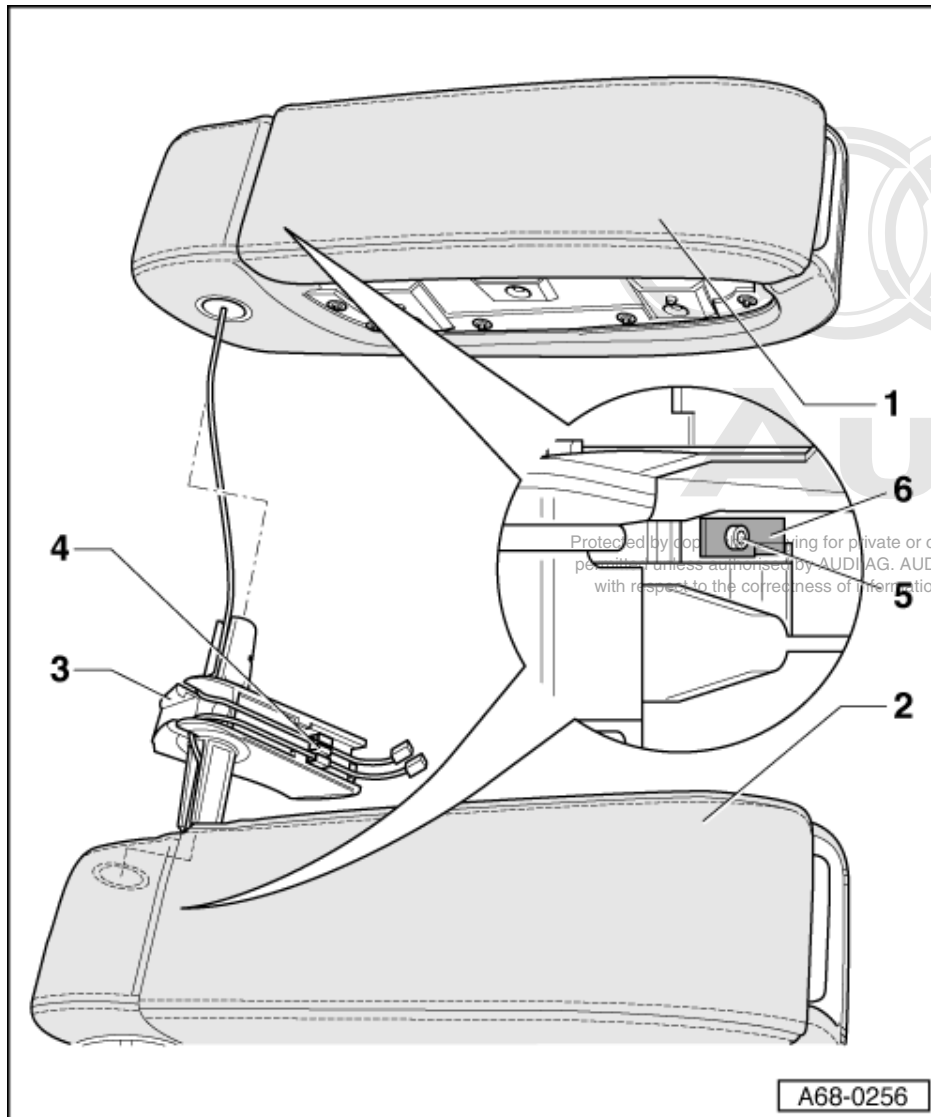


- Engage centre armrest to be removed, up into 75° position.
- Pull this centre armrest off support -3-, by moving it up and down while applying pressure outwards.

- 3 Support
- 4 Clip
- 5 Clamp
  - ◆ 2 off



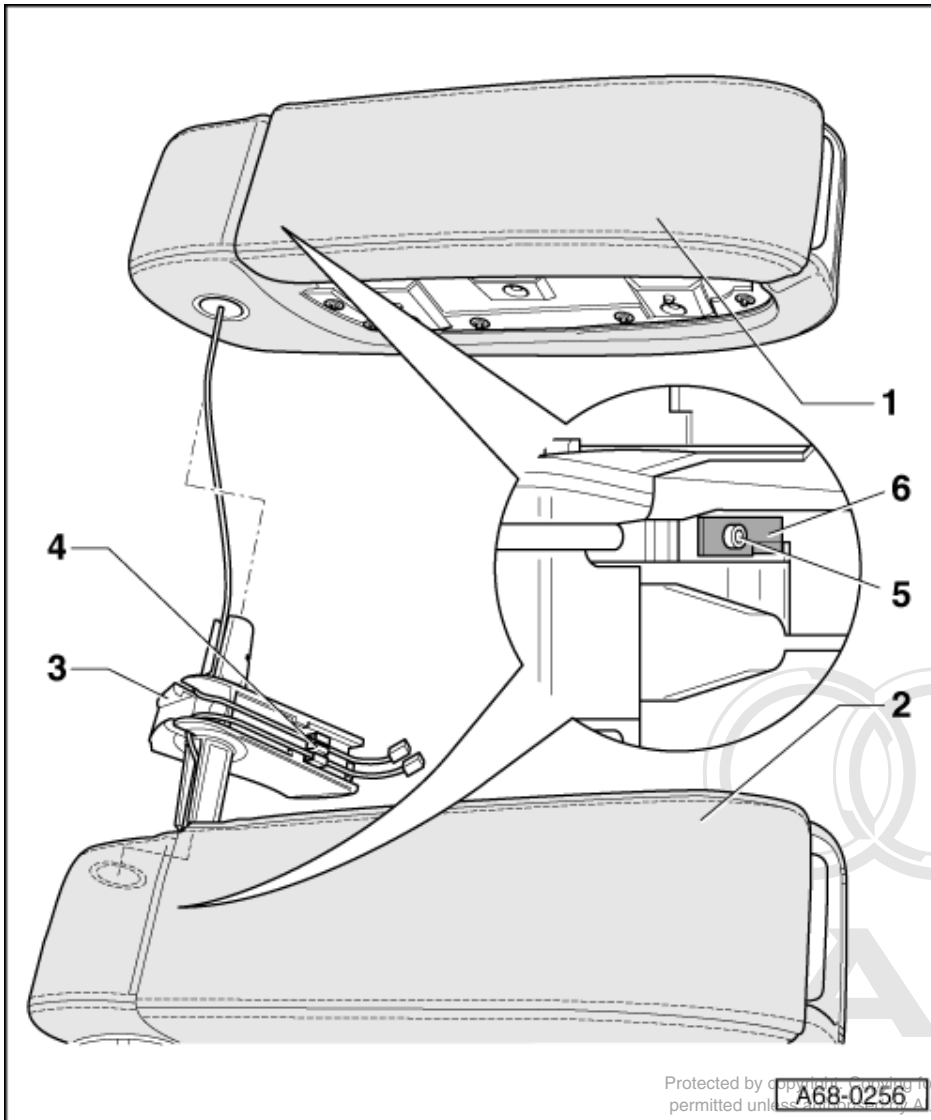
### 3.11 - Detaching left and right centre armrest with bracket and screw



**1 Left centre armrest**

**2 Right centre armrest**

- Remove centre armrest  
=> Page 34
- Remove left and right storage compartment => Page 38
- ◆ Removal of centre armrests is identical for left and right side
- Fold centre armrests left -1- and right -2- down.
- Unscrew bolt -5-.
- Pull out bracket -6- forwards.



Protected by copyright. No part of this document, in part or in whole, is not permitted unless authorized by AUDI AG. AUDI AG does not guarantee or accept any liability with respect to the correctness of information in this document. Copyright by AUDI AG.

- Re-install centre armrest to enable continuation of subsequent work.
- Engage centre armrest to be removed, up into 75° position.
- Pull cable out of clip -4-.
- Pull centre armrest off support -3-, by moving it up and down while applying pressure outwards.

**3 Support**

**4 Clip**

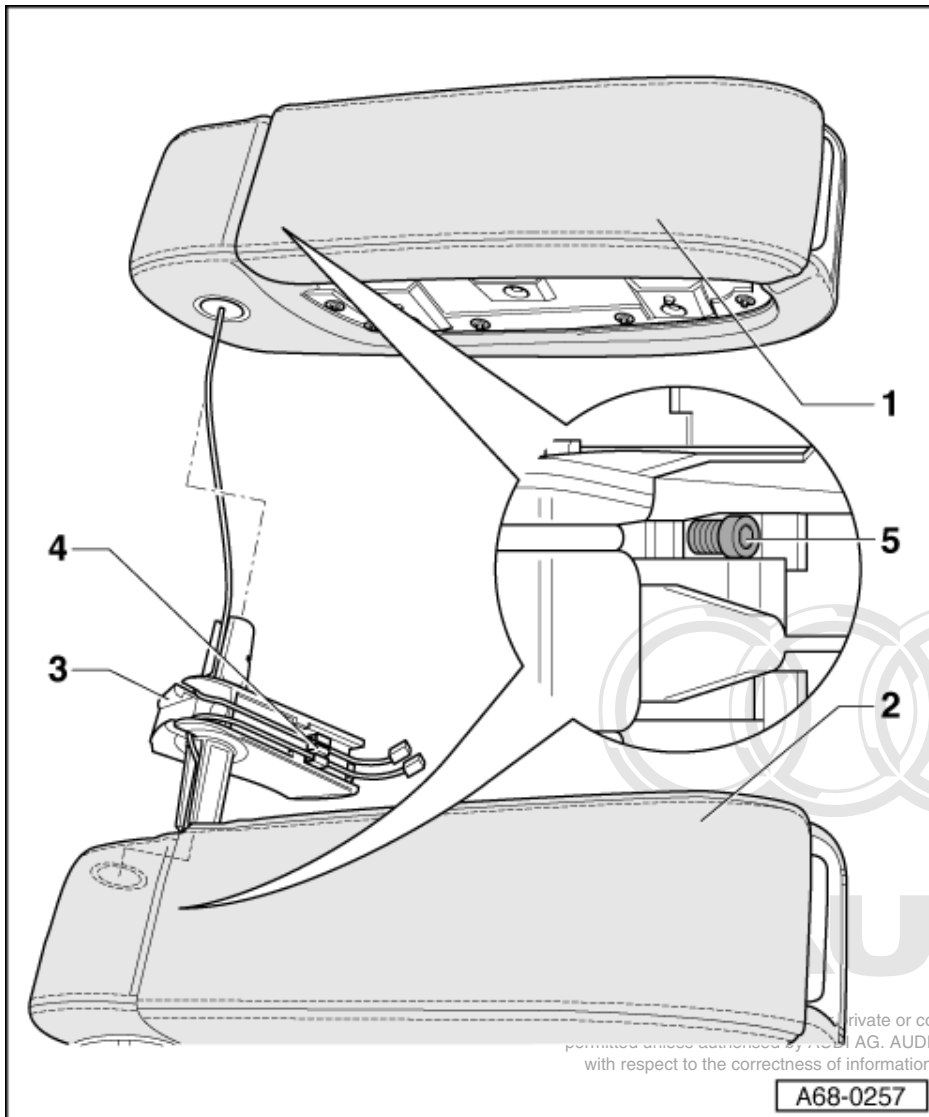
**5 Bolt**

- ◆ 2 off left and right
- ◆ Tightening torque 10.5 Nm

**6 Bracket**

- ◆ 2 off left and right

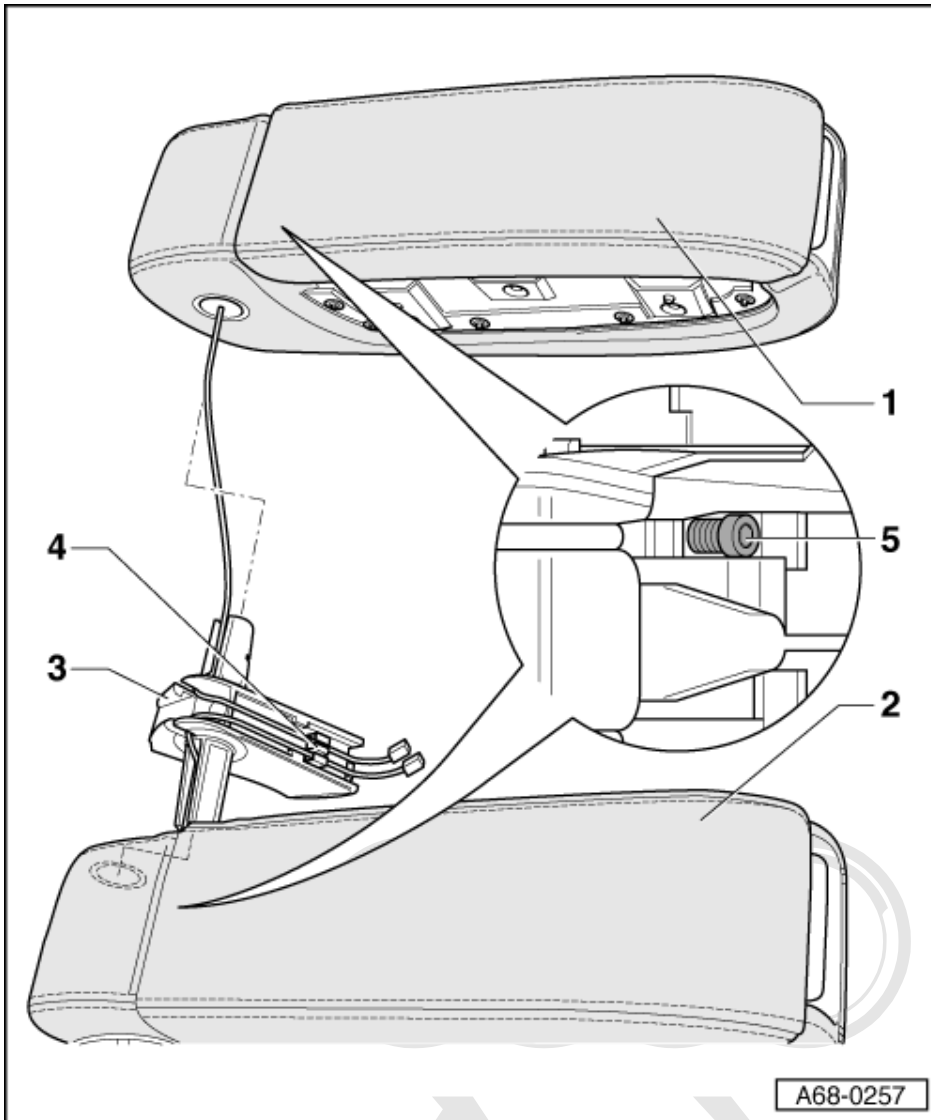
### 3.12 - Detaching left and right centre armrest with screw



1 Left centre armrest

2 Right centre armrest

- Remove centre armrest  
=> Page 34
- Remove left and right storage compartment- => Page 38
- ◆ Removal of centre armrests is identical for left and right side
- Fold centre armrests left -1- and right -2- down.
- Unscrew bolt -5-.



- Re-install centre armrest to enable continuation of subsequent work.
- Engage centre armrest to be removed, up into 75° position.
- Pull cable out of clip -4-.
- Pull centre armrest off support -3-, by moving it up and down while applying pressure outwards.

Protected by copyright. Copying for private or commercial purposes, in part or in whole, is not permitted unless authorised by AUDI AG. AUDI AG does not guarantee or accept any liability with respect to the correctness of information in this document. Copyright by AUDI AG.

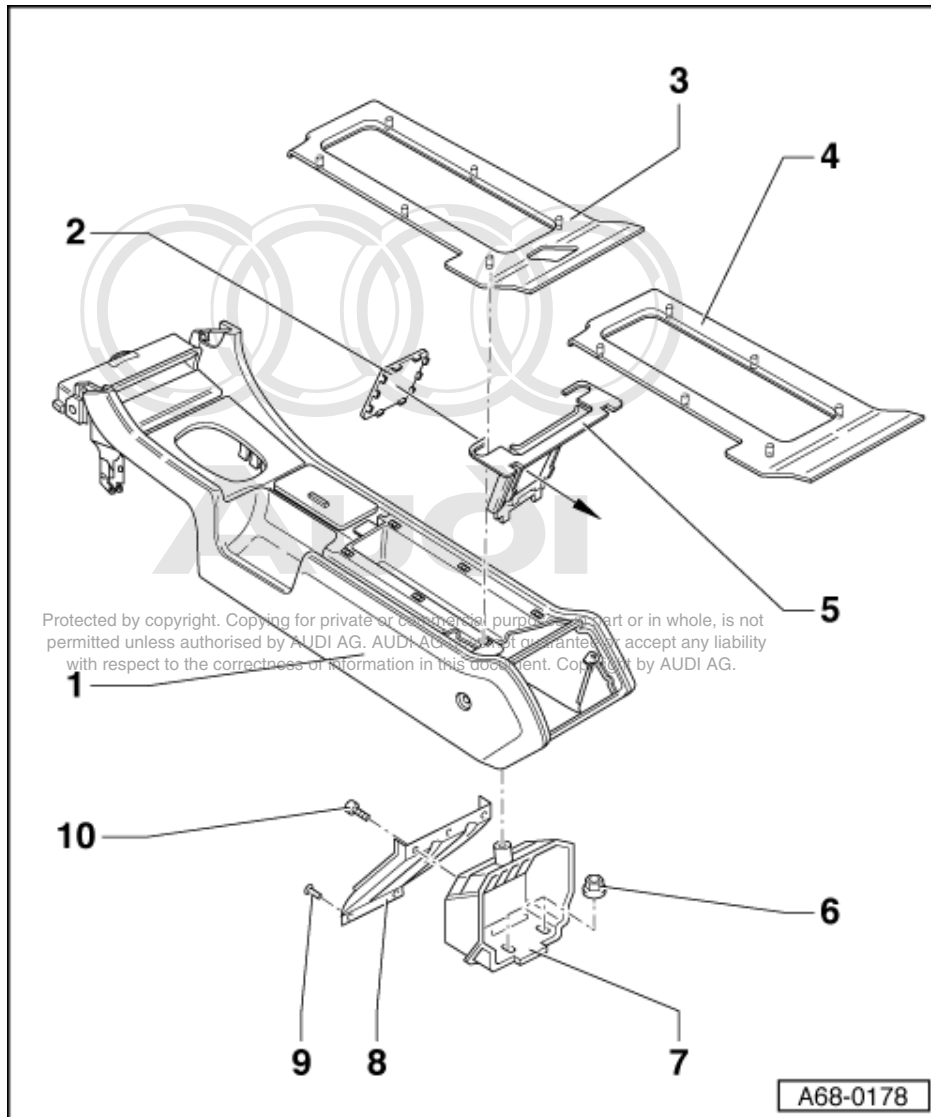
**3 Support**

**4 Clip**

**5 Bolt**

- ◆ 2 off left and right
- ◆ Tightening torque 10.5 Nm

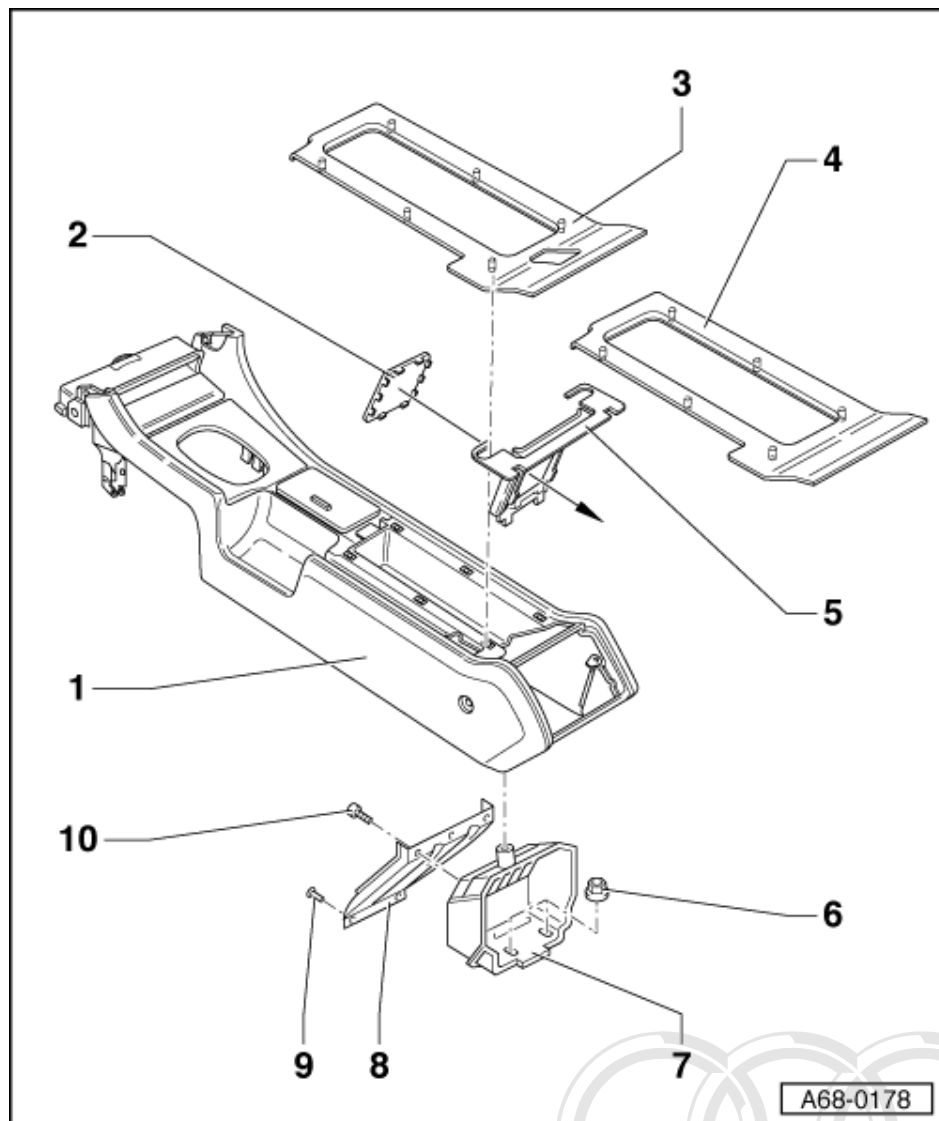
### 3.13 - Retrofitting centre armrest



#### 1 Rear centre console

- Remove centre console => Page 10 .
- Install support plate and mount for centre console support.
- Swap trims -5- and -4-.
- Install centre console => Page 10 .
- Install centre armrest => Page 34 .

#### 2 Cover

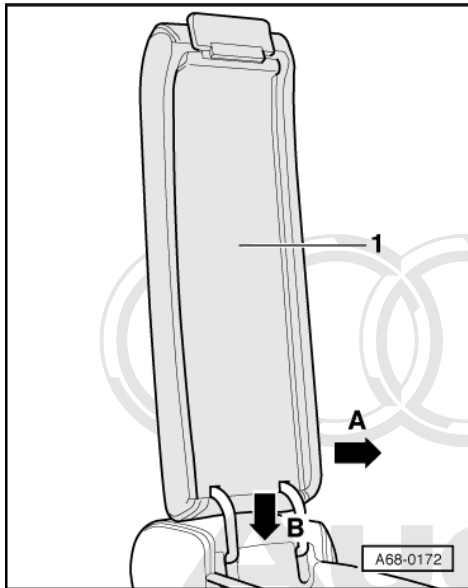


- 3 Trim with centre armrest cut-out
- 4 Trim without centre armrest cut-out
- 5 Cover
- 6 Nut - 22 Nm
  - ◆ 2 off
- 7 Mounting
  - ◆ For centre armrest support
- 8 Support plate
- 9 Blind rivet
  - ◆ 2 off
- 10 Bolt - 4 Nm
  - ◆ 2 off



Protected by copyright. Copying for private or commercial purposes, in part or in whole, is not permitted unless authorised by AUDI AG. AUDI AG does not guarantee or accept any liability with respect to the correctness of information in this document. Copyright by AUDI AG.

### 3.14 - Removing and installing centre armrest cover

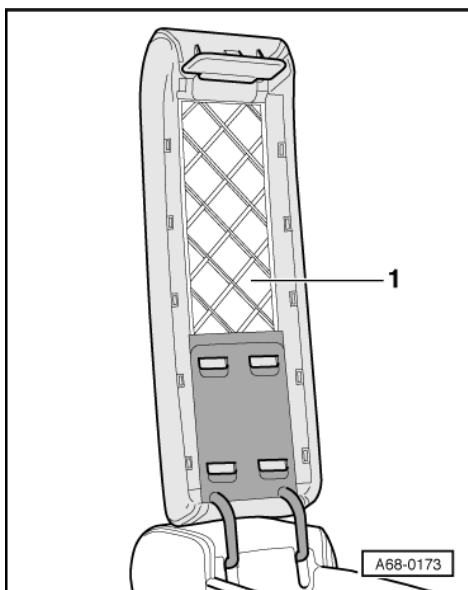


- -> Starting at bottom, carefully unclip trim -1- in direction of arrow -A-.
- Pull out trim -1- in direction of arrow -B-.

Protected by copyright. Copying for private or commercial purposes, in part or in whole, is not permitted unless authorised by AUDI AG. AUDI AG does not guarantee or accept any liability with respect to the correctness of information in this document. Copyright by AUDI AG.

**Note:**

*When installing, fully engage centre armrest cover so that trim can be fitted. If necessary use a flat screwdriver to press cover fully in.*

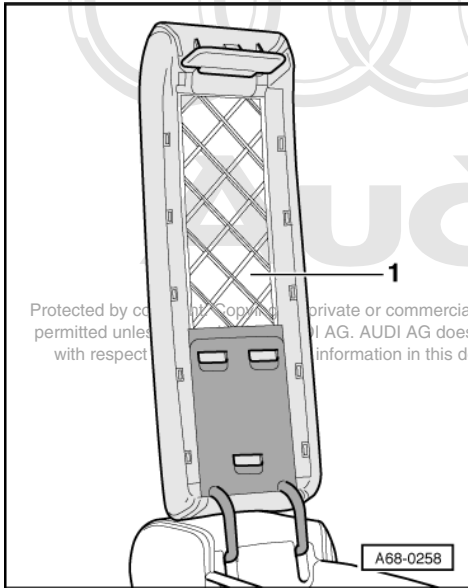


#### Centre armrest cover with 4 tabs

- -> Press down cover -1-.
- Take out cover -1-.

**Note:**

*When installing, fully engage centre armrest cover so that trim can be fitted. If necessary use a flat screwdriver to press cover fully in.*



Protected by copyright. Copying for private or commercial purposes, in part or in whole, is not permitted unless authorized in writing by Audi AG. Audi AG does not guarantee or accept any liability for the information in this document. Copyright by Audi AG.

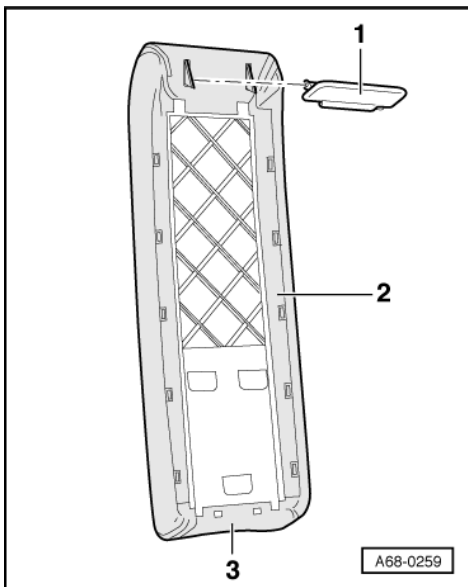
**Centre armrest cover with 3 tabs**

- -> Press down cover -1-.
- Take out cover -1-.

**Note:**

*When installing, fully engage centre armrest cover so that trim can be fitted. If necessary use a flat screwdriver to press cover fully in.*

**3.15 - Removing and installing cover for centre armrest cover**



- ◆ Removing

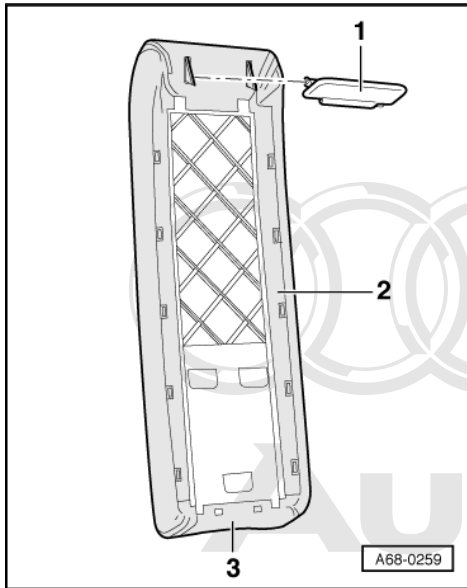
**Note:**

*When removing cover start from rear.*

- Remove centre armrest cover => Page 55 .
- Lever off cap -1- of cover sideways using a flat-bladed screwdriver.



- Detach plastic trim -2- all round.
- Detach fastening strip -3-.



- Protected by copyright. Copying for private or commercial purposes, in part or in whole, is not permitted without express authorisation by AUDI AG. AUDI AG does not guarantee or accept any liability with regard to the correctness of information in this document. Copyright by AUDI AG.
- 1 - Cap
  - 2 - Plastic trim
  - 3 - Fastening strip

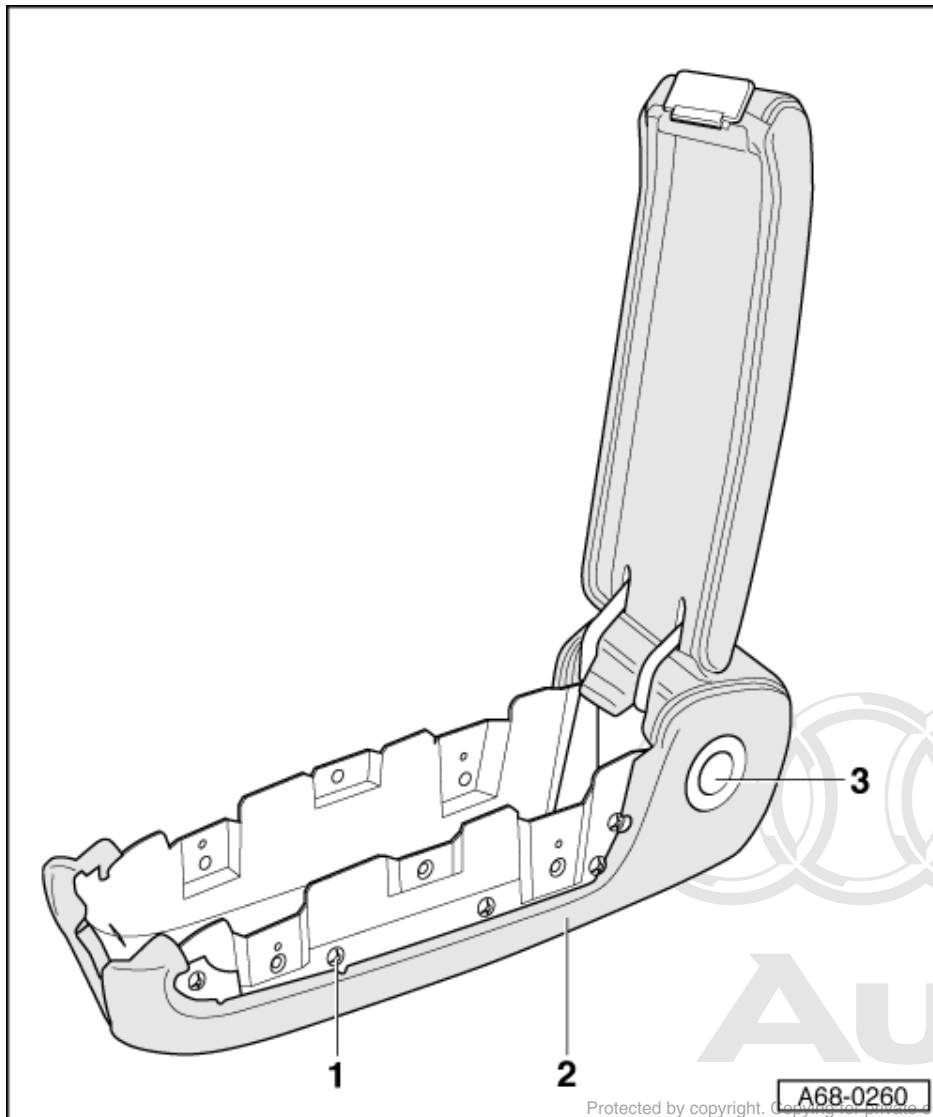
◆ Installing

**Note:**

*After covering the cover, carefully smooth creases in leather using a hot-air blower.*

*When installing, fully engage centre armrest cover so that trim can be fitted. If necessary use a flat screwdriver to press cover fully in.*

### 3.16 - Removing and installing lower section of centre armrest cover



Protected by copyright. Copying for private or commercial purposes, in part or in whole, is not permitted unless authorised by AUDI AG. AUDI AG does not guarantee or accept any liability with respect to the correctness of information in this document. Copyright by AUDI AG.

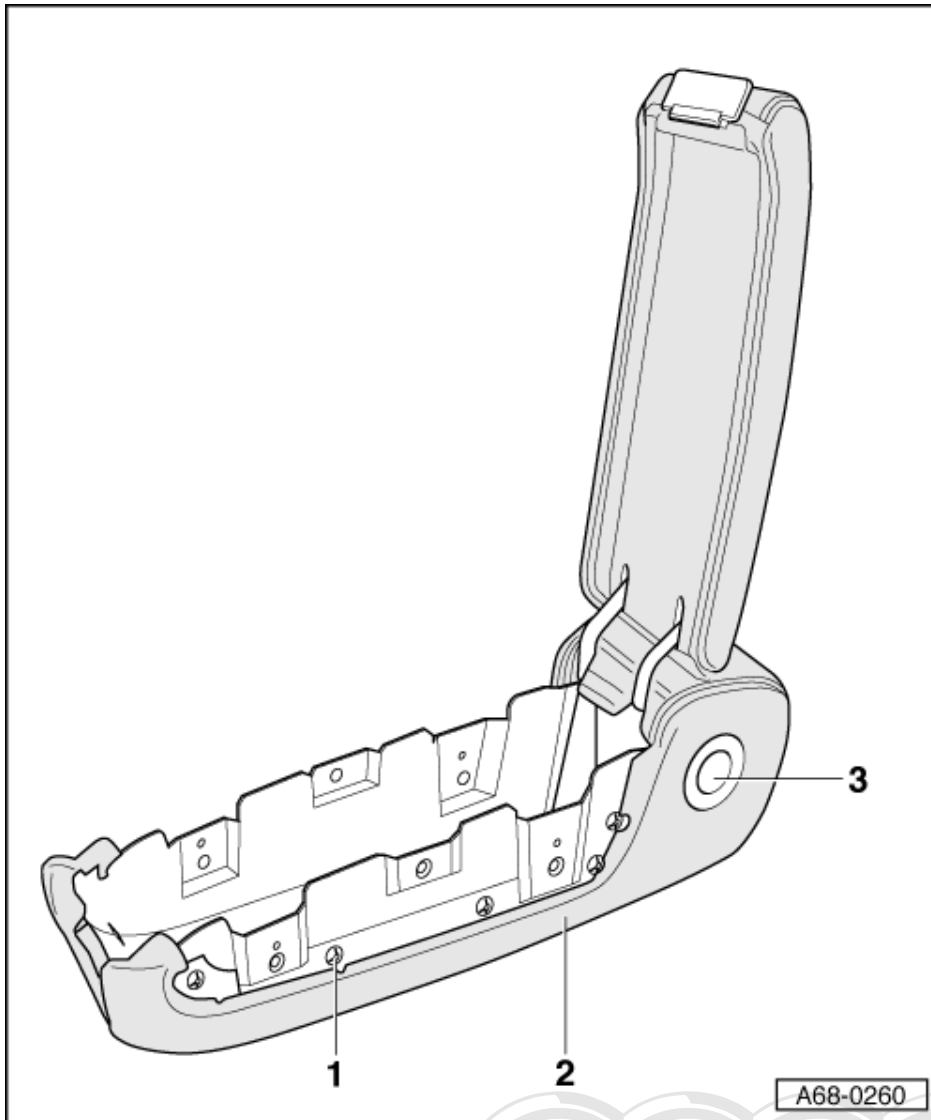
#### ♦ Installing

- Remove centre armrest => Page 34 .
- Remove left/right trims of centre armrest => Page 38 .
- Removing storage compartment of centre armrest => Page 38 .

#### **Note:**

*When removing cover work from front to rear.*

- Remove spring rings -1- (10x) right and left.
- Remove guide -3- of support.
- Detach cover -2- from front to rear.



- 1 Spring ring (10x)
- 2 Seat cover
- 3 Support guide

- ◆ Installing

**Note:**

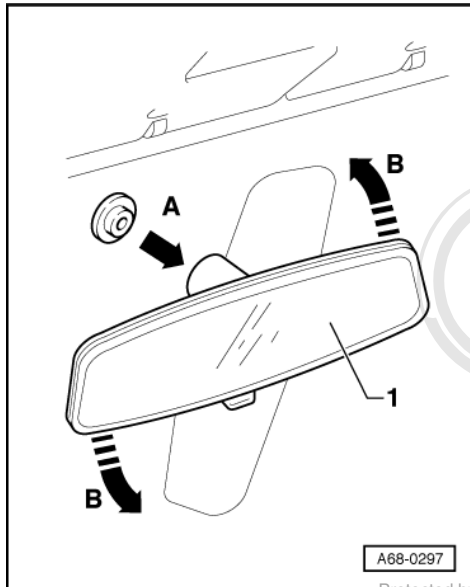
*After covering the lower section, carefully smooth creases in leather using a hot-air blower.*

Protected by copyright. Copying for private or commercial purposes, in part or in whole, is not permitted unless authorised by AUDI AG. AUDI AG does not guarantee or accept any liability with respect to the correctness of information in this document. Copyright by AUDI AG.

## 4 - Interior rear-view mirror

### 4.1 - Interior rear-view mirror

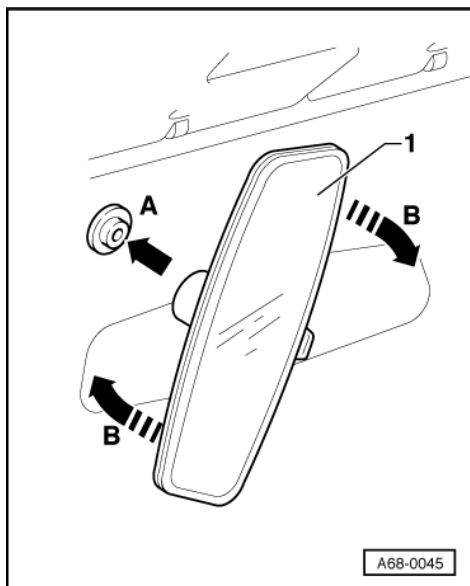
### 4.2 - Removing and installing interior rear-view mirror with fixed base



◆ Removing:

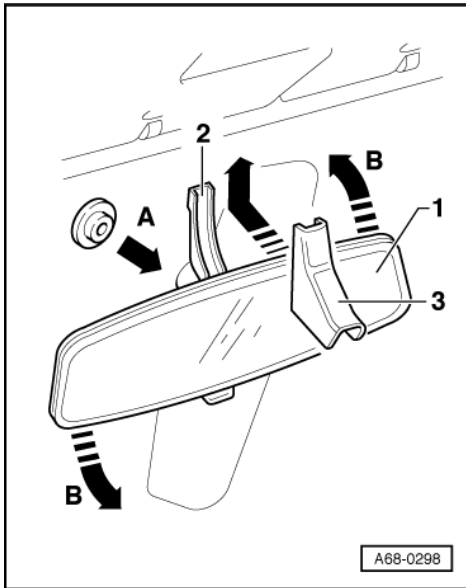
- -> When removing, turn mirror -1- by 60...90° -arrows B- until locking spring disengages and remove mirror -arrow A-.

◆ Installing:



- -> When installing, fit mirror -1- at an angle of 60...90° at angle to attachment position -arrow A- and twist -arrows B-, until locking spring engages.

### 4.3 - Removing interior rear-view mirror (automatic anti-glare mirror)



◆ Removing:

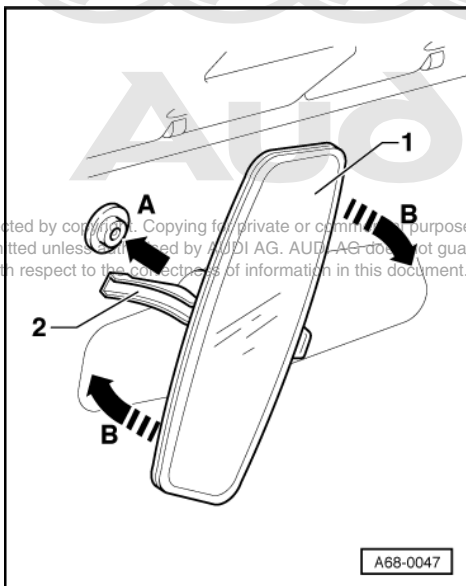
- -> Unclip cable duct cover -3-.
- Remove connector from fastener and disconnect.

**Note:**

*Do not grasp hold of cable duct -2- to twist mirror.*

- When removing, turn mirror -1- by 60...90° -arrows B- until locking spring disengages and remove mirror -arrow A-.

◆ Installing:



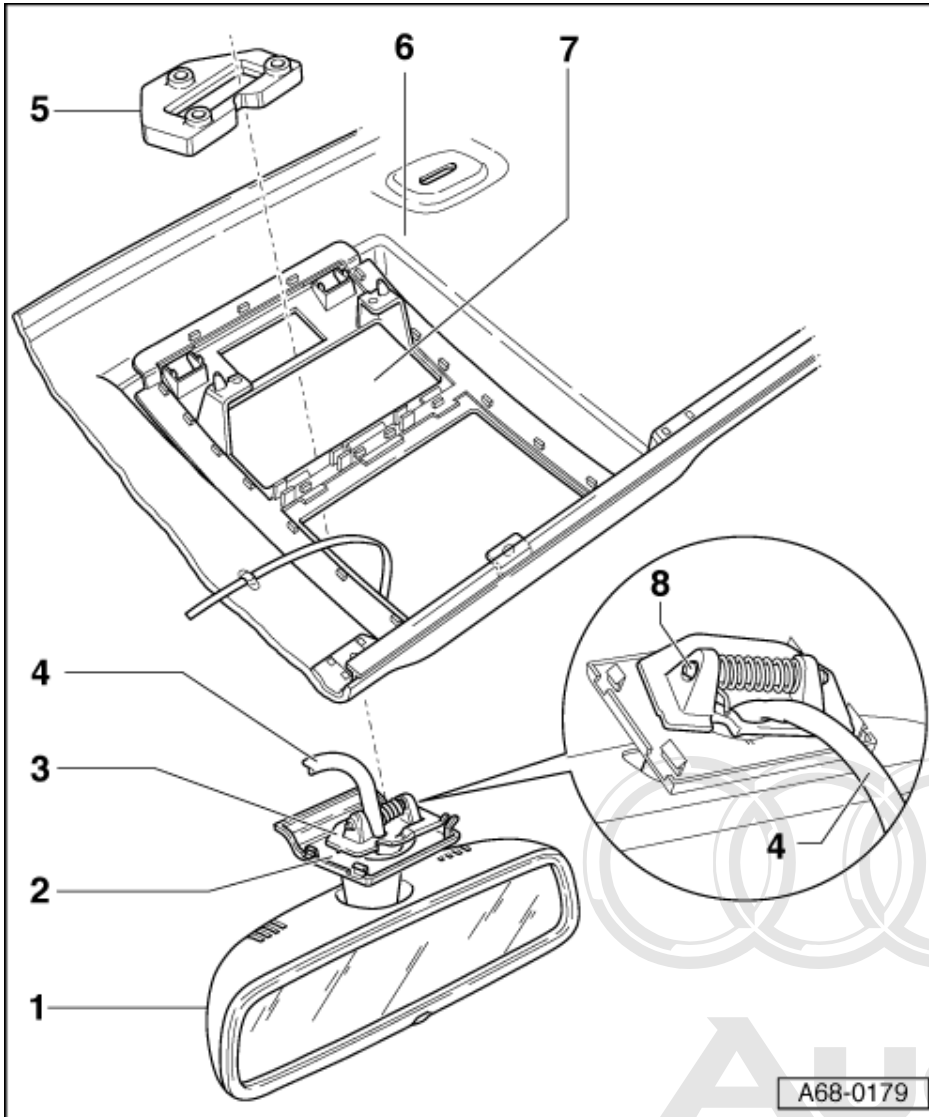
**Note:**

*Do not grasp hold of cable duct -2- to twist mirror.*

Protected by copyright. Copying for private or commercial purposes, in part or in whole, is not permitted unless authorized by AUDI AG. AUDI AG does not guarantee or accept any liability with respect to the correctness of information in this document. Copyright by AUDI AG.

- -> When installing, fit mirror -1- at an angle of 60...90° at angle to attachment position -arrow A- and twist -arrows B-, until locking spring engages.

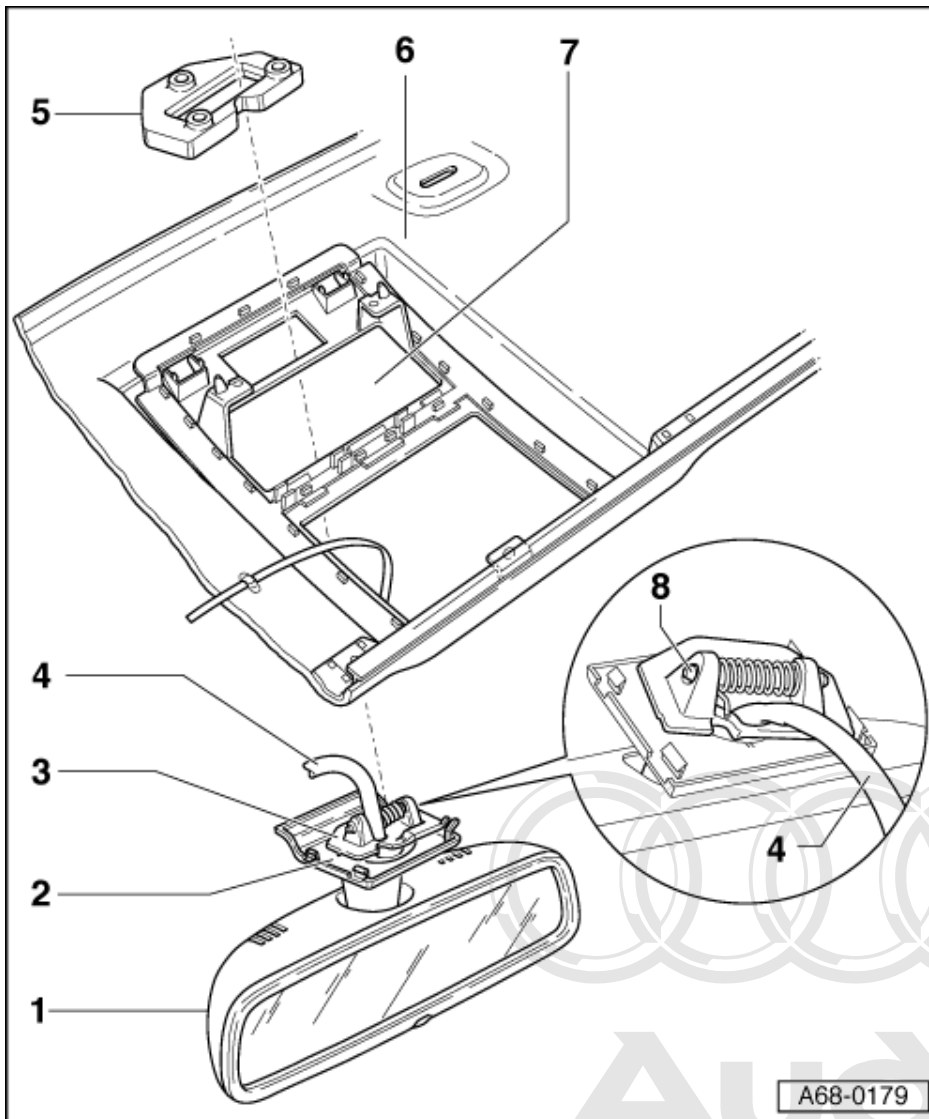
#### 4.4 - Removing and installing interior rear-view mirror (attached to roof)



#### 1 Interior rear-view mirror

- ◆ **Removing**
  - Unclip moulded headliner trim -7- at front.
  - Detach connector -4- to interior mirror.
  - Use screwdriver to lever out interior mirror on left side between mounting plate -5- and mirror base -3-.
- ◆ **Installing**
  - ◆ Before installing check that locking pin -8- is engaged.

Protected by copyright. Copying for private or commercial purposes, in part or in whole, is not permitted unless authorised by AUDI AG. AUDI AG does not guarantee or accept any liability with respect to the correctness of information in this document. Copyright by AUDI AG.



- Insert right side of mirror base -3-.
- Clip in mirror base trim -2- on right side.
- On left side press mirror base trim -2- with mirror base -3- upwards until locking pin -8- is released.

- 2 Mirror base trim
- 3 Mirror base
- 4 Cable
- 5 Mounting plate
- 6 Moulded headliner
- 7 Moulded headliner trim
- 8 Locking pin

#### 4.5 - Testing function of automatic anti-glare interior rear-view mirror

##### *Test requirements:*

- Interior mirror fitted.
- Ignition on.
- Reverse gear not engaged.

### Test sequence

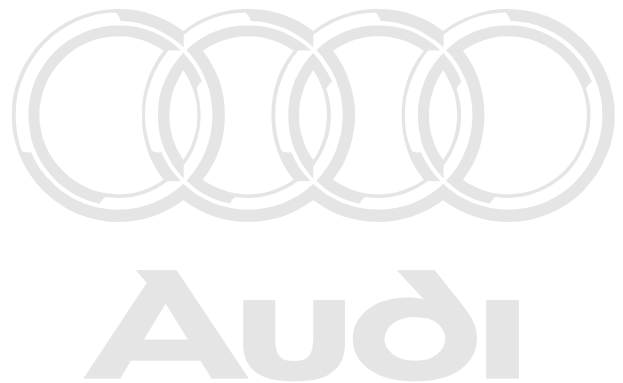
- Place hand over (or mask off) front of photo sensor.
- Shine a torch onto back of photo sensor.
  - The interior mirror should darken quickly.

## 4.6 - Cementing retainer plate for interior rear-view mirror

### Repair method using glass-metal-adhesive

### Special tools, testers and auxiliary items required

- ◆ Glass-Metal-Adhesive-Set D 000 703 A1



- 1 - -> Glass scraper (commercially available)
- 2 - Razor blade (commercially available)

Protected by copyright. Copying for private or commercial purposes, in part or in whole, is not permitted unless authorised by AUDI AG. AUDI AG does not guarantee or accept any liability with respect to the correctness of information in this document. Copyright by AUDI AG.

### Procedure

- Remove mirror plate from mirror base.
- Use wire brush to remove PUR-adhesive from mirror plate.
- Grind off three spacers on bonding surface. Use sandpaper (360/400 grain) on flat surface.
- Keep sanded surface clean and free from dirt and grease.
- Use glass scraper to remove PUR adhesive and primer from windscreen down to ceramic layer.
- Clean bonding area with adhesive remover D 002 000 10 or cleaning solution D 009 401 04.

**Important**  
Do not damage ceramic coating. Scratches will remain permanently visible.

- Cut nylon mesh fabric exactly to the size of the mirror base.



**Note:**

*Wear hand protection (rubber glove).*

- Apply adhesive evenly and smoothly to base of mirror.
- Fit nylon mesh fabric onto base of mirror.
- Apply further adhesive to nylon mesh fabric by dabbing with the tube.

30 seconds are available for applying the adhesive to the nylon mesh fabric before pressing it onto the windscreen.

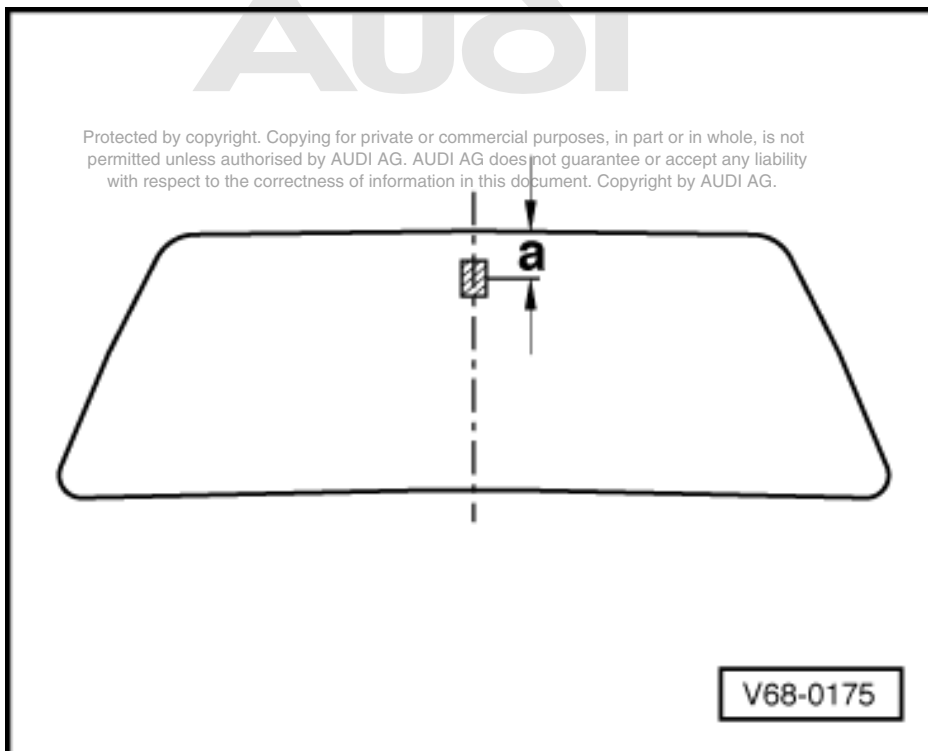
- Press base of mirror firmly (do not use force) against windscreen for 15 seconds.
- Remove excess adhesive with a cloth.

**Note:**

*Interior rear-view mirror can be fitted after 15 minutes.*

**Important**

Use adhesive at room temperature and observe manufacturer's safety instructions and directions for use. The material will harden fully after several hours.



- -> Dimension for interior rear-view mirror a = 140 mm (top edge of trim strip to centre of bonding surface of mirror base).



## 69 - Passenger protection

### 1 - Contact corrosion

#### 1.1 - Contact corrosion

Contact corrosion can occur if non approved fasteners are used on the vehicle (bolts, nuts, washers etc.).

For this reason, all the fasteners used in production are specially treated. These components can be identified by their greenish surface finish.

In addition to this, all rubber and plastic parts and all adhesives are made of non-electrically conductive materials.

If you are not sure whether used parts can be refitted, always fit new parts.

#### Important

- ◆ Use only genuine Audi A8 Parts.
- ◆ Accessories must be approved by AUDI AG.
- ◆ Damage resulting from contact corrosion is not covered by the warranty.

### 2 - Seat belts

#### 2.1 - Seat belts

#### 2.2 - Safety rules for handling pyrotechnic belt tensioners

- ◆ Testing, removing, installing and repair work may only be performed by qualified personnel.
- ◆ When the belt tensioner unit is connected, all mechanical components, including those of the three-point seat belt, must be correctly attached.
- ◆ Only the person carrying out the work is allowed in the vehicle.
- ◆ Tensioner cable must not be kinked or bent more than 270°.
- ◆ Belt tensioner components must be neither opened nor repaired. Always use new components only.
- ◆ Belt tensioner units that have been dropped from a height of more than 50 cm, that are defective or that are damaged must not be fitted in vehicles.
- ◆ Belt tensioner units which are mechanically damaged (dents, fractures) must be replaced.
- ◆ Belt tensioner units must be fitted immediately after they are taken out of their transport containers.
- ◆ The belt tensioner unit must be replaced in its transport container when work is interrupted.
- ◆ Never point open end of belt tensioner at another person.
- ◆ Always wash hands after handling belt tensioners which have been activated.
- ◆ Storage and transportation are subject to the legislation for explosive substances.
- ◆ It is not permitted to leave the belt tensioner unit unattended.
- ◆ The belt tensioner unit must not be treated with grease, cleaning agents or similar.
- ◆ The belt tensioner unit must not, even for a short time, be exposed to temperatures above 100 °C, sparking or naked flame.

## 2.3 - Testing belt tensioners

### Front seat belts 06.96 ä, rear seat belts 06.95 ä

- Unreel belt webbing.
  - When the belt tensioner has triggered, the belt webbing can no longer be reeled in or out. The entire seat belt must be replaced.

### Front seat belts 07.96 ä, rear seat belts 07.95 ä

- Actuated belt tensioners can be detected using self-diagnosis.

A - with triggered airbag control unit:

Front belt tensioner:

```
Read measured value block 1
1      2      3      4
```

-> Read measured value block, display group 001:

=> Body Self-diagnosis; Repair group 01; Self-diagnosis of airbag system; Reading measured value block Self-diagnosis of airbag system Reading measured value block

A triggered belt tensioner is identified by the fault message "0111" or "too great".

Rear seat belt tensioner:

```
Read measured value block 2
1      2      3      4
```

-> Read measured value block, display group 002:

=> Body Self-diagnosis; Repair group 01; Self-diagnosis of airbag system; Reading measured value block Self-diagnosis of airbag system Reading measured value block

A triggered belt tensioner is identified by the fault message "0111" or "too great".

B - with triggered airbag control unit:

- Interrogate fault memory:

=> Body Self-diagnosis; Repair group 01; Self-diagnosis of airbag system; Interrogating fault memory Self-diagnosis of airbag system Interrogating fault memory

A triggered belt tensioner is identified by the fault message "Belt tensioner igniter - Resistance value too great".

## 2.4 - Disposal of pyrotechnic belt tensioners

- ◆ The scrapping of gas generators which have not been triggered represents a hazard.
- ◆ In accordance with the relevant accident prevention regulations, the gas generator of the belt tensioner unit must be rendered inoperable before scrapping.
- ◆ This is necessary because pyrotechnic devices can cause injury if disposed of incorrectly (e.g. using a blow torch).
- ◆ Seat belts which need to be removed (e.g. after an accident in which the belt tensioner was not activated) must be triggered before removal.
- ◆ This does not apply to seat belts with quality defects (sticking, failure to retract) which are required for factory analysis.
- ◆ Observe transportation regulations for explosive substances.



### Procedure for triggering pyrotechnic belt tensioners discontinued prior to 10.98

- Removing B-pillar trim => from Page 192 .

### Procedure for triggering pyrotechnic belt tensioners introduced as of 10.98

- Removing upper B-pillar trim => from Page 220 .

#### All models:

- Remove seat belt at seat frame anchorage point => Fig. 75 .
- Use scissors to cut off webbing above buckle latch (approx. 20 cm above the reel).
- Unplug connector from belt reel and connect wiring harness - Part- No. 8D1 971 259 to belt tensioner.
- Cut off connector on other end, strip the ends of the two wires and slit the cable sheath until the ends of the wires are at least 30 cm apart.

#### Important

There must be no-one in the vehicle.

- Trigger gas generator with doors closed and windows open using wiring harness and external battery (outside vehicle).

### Procedure for triggering rear pyrotechnic belt tensioners

- Remove rear shelf => Page 203 .
- Remove seat belt at outer seat frame anchorage point=> Fig. 79 .
- Use scissors to cut off webbing above buckle latch (approx. 20 cm above the reel).
- Unplug connector from belt reel and connect wiring harness - Part-No. 8D1 971 259 to belt tensioner.
- Cut off connector on other end, strip the ends of the two wires and slit the cable sheath until the ends of the wires are at least 30 cm apart.

#### Important

There must be no-one in the vehicle.

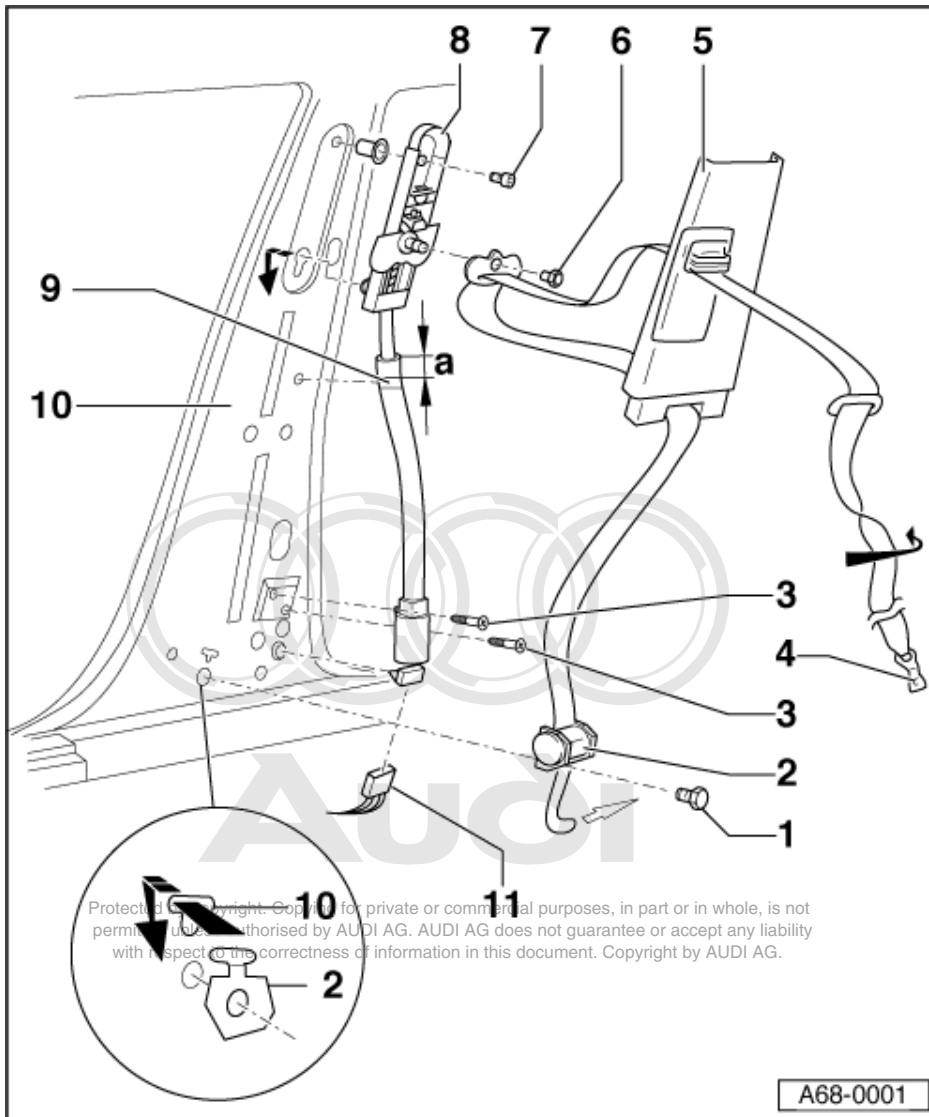
Protected by copyright. Copying for private or commercial purposes, in part or in whole, is not permitted without the express written consent of AUDI AG. We assume no liability for any errors or omissions. The correctness of information in this document. Copyright by AUDI AG.

- Trigger gas generator with doors closed and windows open using wiring harness and external battery (outside vehicle).

#### All models:

- ◆ Ensure adequate vehicle ventilation after triggering.
- ◆ Belts can be disposed of with commercial refuse after removal.
- ◆ Always wash hands after handling belt tensioners which have been activated.
- ◆ Observe safety rules for handling pyrotechnic belt tensioners => Page 66 .

## 2.5 - Removing and installing front three-point seat belt with belt height adjuster



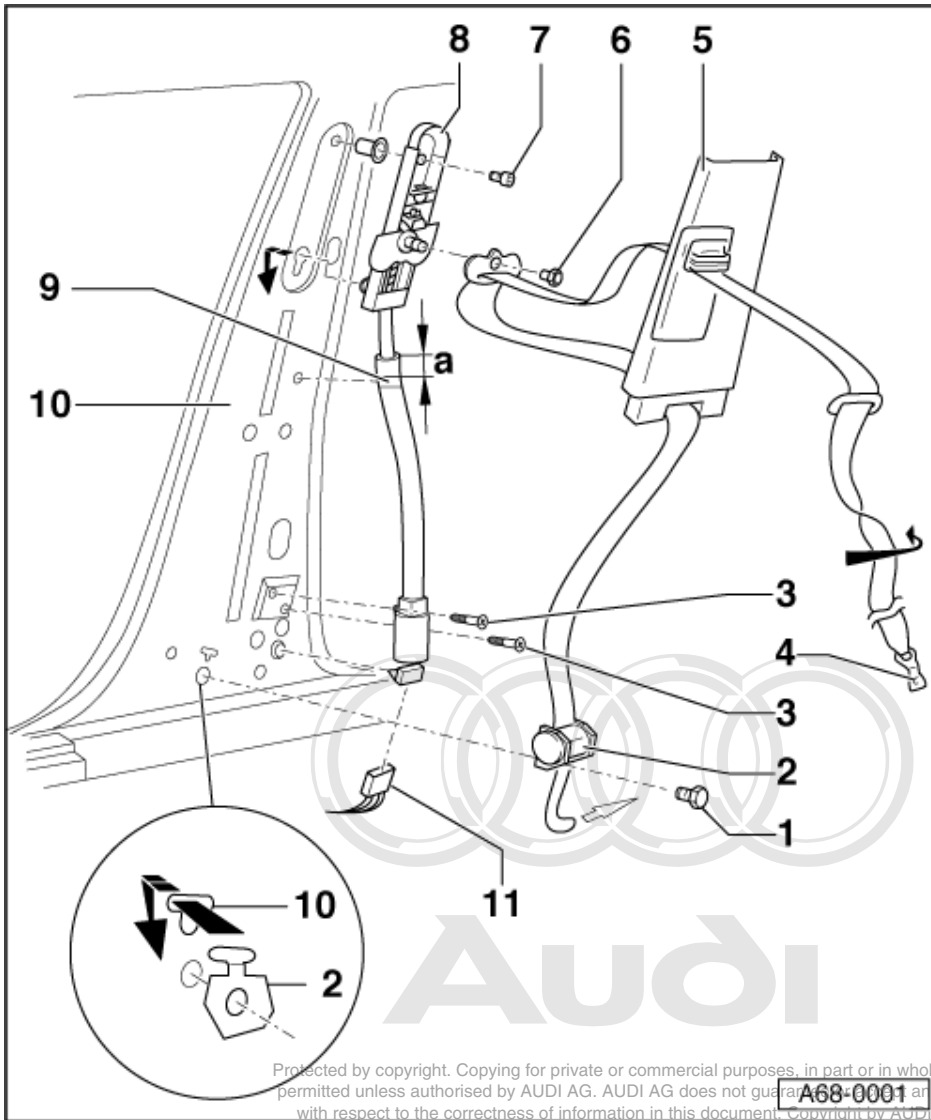
### Notes:

- ◆ Anchorage point, seat frame =>Fig. 3
- ◆ Anchorage point, belt buckle=>Fig. 4

### 1 Hexagon bolt - 55 Nm

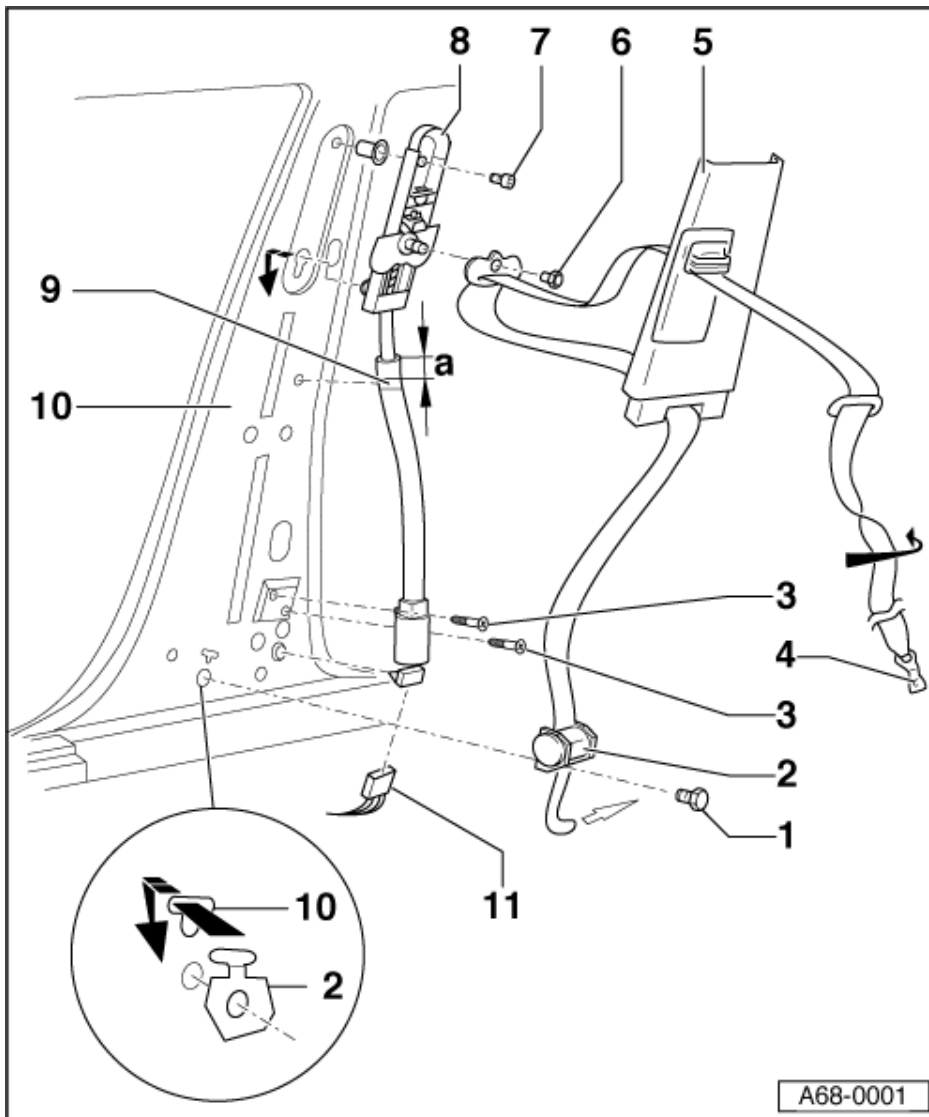
### 2 Three-point seat belt

- ◆ Removing:
  - Detaching belt tensioner ä 06.97  
=>Fig. 1 .
  - Detaching belt tensioner 07.97 ä  
=>Fig. 2 .



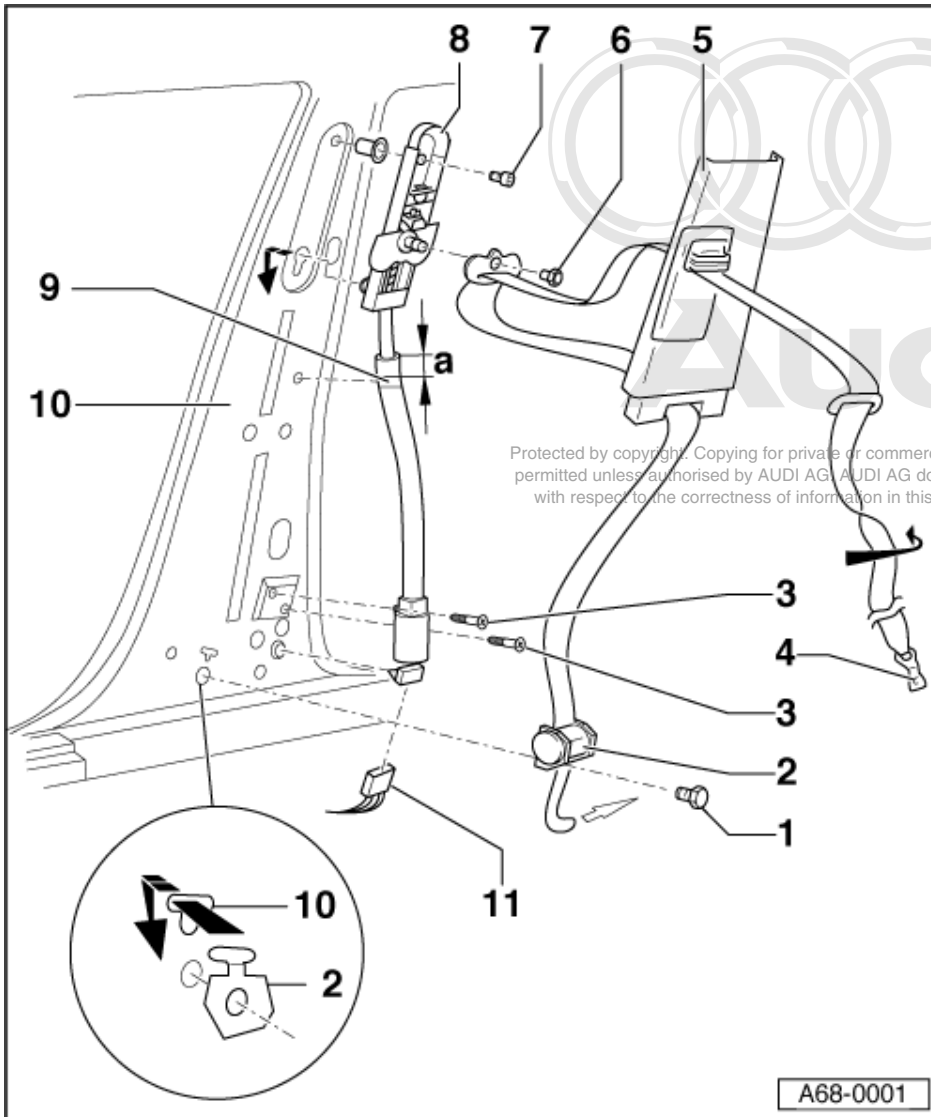
Protected by copyright. Copying for private or commercial purposes, in part or in whole, is not permitted unless authorised by AUDI AG. AUDI AG does not guarantee or accept any liability with respect to the correctness of information in this document. Copyright by AUDI AG.

- Remove upper and lower B-pillar trim =>Page 192 .
- Unscrew bolt -Item 1 -.
- Detach three-point seat belt from pillar B -Item 10 -.
- Screw out bolt -Item 6 - at retractor anchorage point.
- Ease three-point seat belt out of upper B-pillar trim -Item 5 -.
- ◆ Installing:
- After installing passenger's three-point seat belt check belt function for child seat => Page 89 .
- Ensure that three-point seat belt is not impeded by cables, wires, insulation etc.



- 3 Hexagon bolt - 2 Nm**
  - ◆ 2 off
- 4 Seat frame anchorage point**
  - ◆ Removing => Fig. 3
- 5 Upper B-pillar trim**
  - ◆ Inserting switch for height adjuster into height adjustment mechanism => Fig. 5
- 6 Hexagon bolt - 55 Nm**
- 7 Bolt - 23 Nm**
- 8 Height adjustment mechanism for seat belt**
  - ◆ Removing manual belt height adjustment mechanism:
    - Screw out bolts -Item 6 - and -Item 7 -.
    - Lift out height adjuster.

Protected by copyright. Copying for private or commercial purposes, in part or in whole, is not permitted unless authorised by AUDI AG. AUDI AG does not guarantee or accept any liability with respect to the correctness of information in this document. Copyright by AUDI AG.

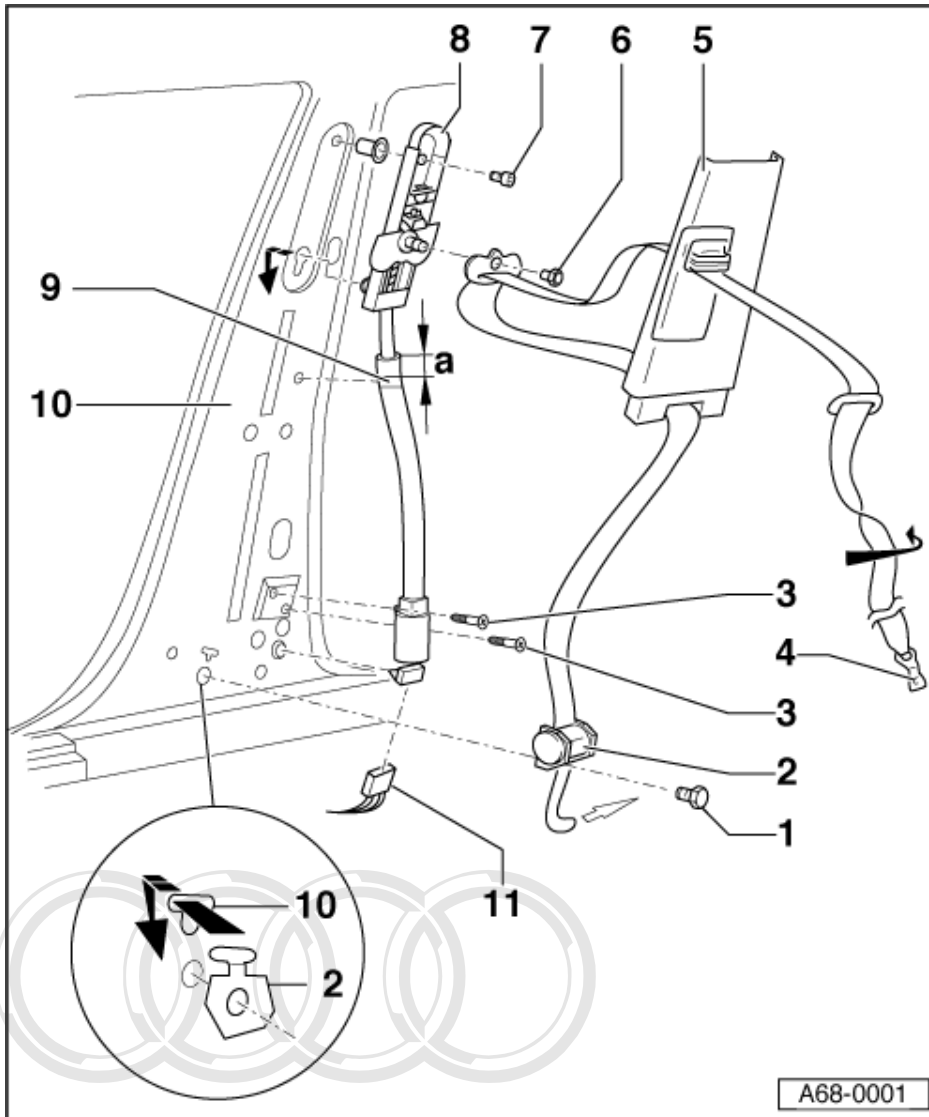


- ◆ Installing:
- Inserting button for height adjuster into height adjustment mechanism  
=> Fig. 5.

**Notes:**

- ◆ Do not press button for manual height adjustment when installing
- ◆ Manual belt height adjustment mechanism must be heard to engage in all 5 positions
- ◆ After being actuated button must always return to upper position
  - ◆ Removing electrical belt height adjustment mechanism:
    - Detach connector -Item 11 -.
    - Unscrew bolt -Item 3 -.
    - Unfasten cable tie -Item 9 -.
    - Lift out height adjuster.





**9 Cable tie**

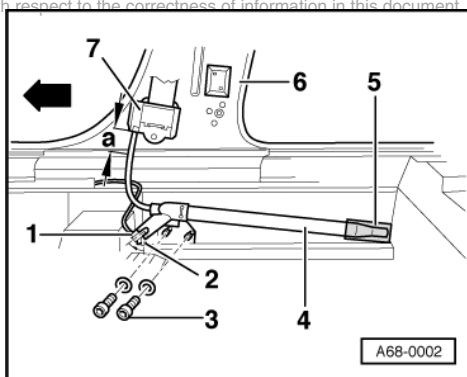
- ◆ Dimension a = approx. 15 mm

**10 B-pillar**

**11 Connector**

- ◆ For belt height adjuster

Protected by copyright. This document is intended for commercial purposes, in part or in whole, is not permitted unless authorised by AUDI AG. AUDI AG does not guarantee or accept any liability with respect to the correctness of information in this document. Copyright by AUDI AG.



-> Fig.1 Releasing belt tensioner ä 06.97

- Remove front seat => Page 281 .
- Refer to coding on vehicles with encoded radio/radio navigation system (RNS); if necessary, interrogate.
- Disconnect earthing strap at battery with ignition switched off.
- Remove sill panel trim => Page 212 .
- Unfasten catch -2- and detach connector -1-.
- Screw out the bolts -3- (5 Nm).

Important

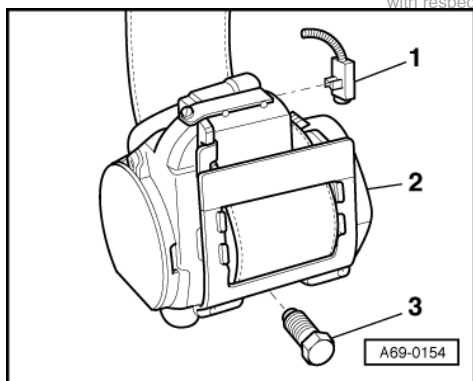
Over a length of a° of seat belt -7-.

- 4 - Belt tensioner
- 5 - Foam cover
- 6 - B-pillar

**Note:**

Disposal of belt tensioners => Page 67 .

Protected by copyright. Copying for private or commercial purposes, in part or in whole, is not permitted unless authorised by AUDI AG. AUDI AG does not guarantee or accept any liability with respect to the correctness of information in this document. Copyright by AUDI AG.



-> Fig.2 Releasing belt tensioner 07.97 ä

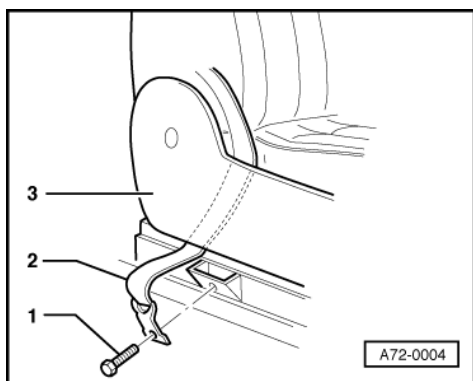
**Note:**

Front seat need not be removed.

- Disconnect the connector -1-.
- Screw out bolts -3- (55 Nm).
- Detach seat belt with belt tensioner -2- at B-pillar.

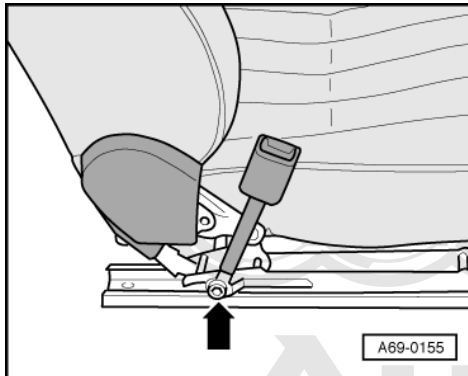
**Note:**

Disposal of belt tensioners => Page 67 .



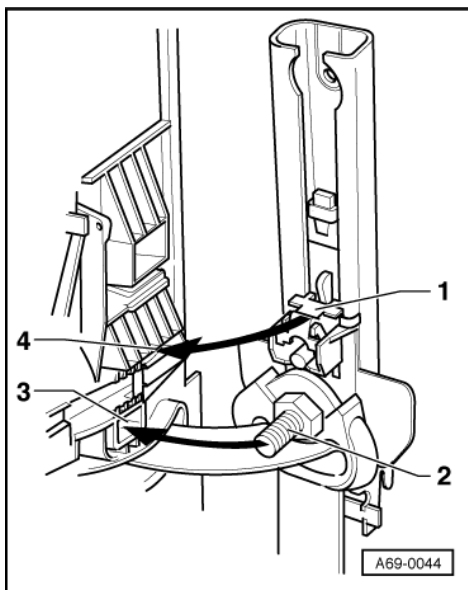
-> Fig.3 Anchorage point, seat frame

- Move seat as far forward as possible.
- Screw out bolts -1- (55 Nm).
- Route seat belt -2- past back of seat cover panel -3-.



-> Fig.4 Anchorage point, belt buckle

- Remove front seat => Page 281
- Screw out bolt -arrow- (35 Nm).
- Buckle must engage in guide on installation.



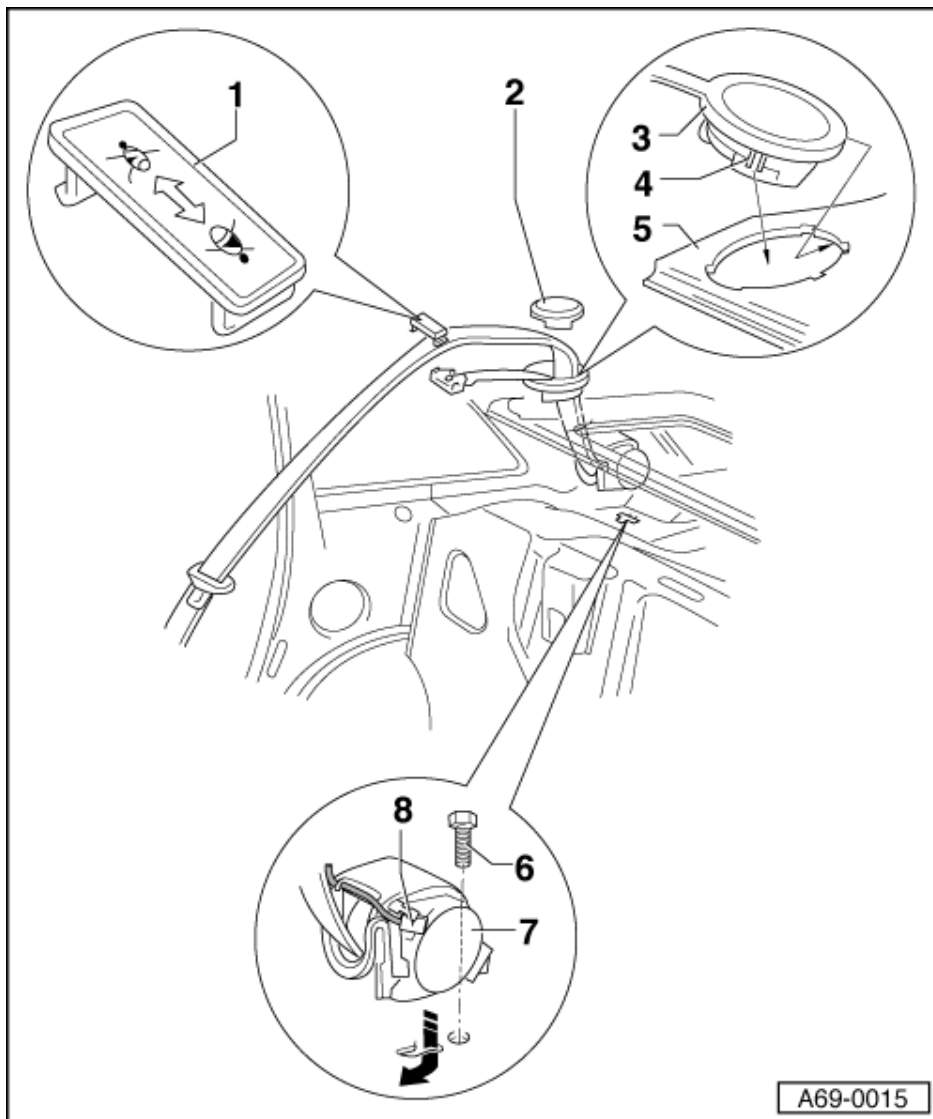
-> Fig.5 Attaching upper B-pillar trim to belt height adjuster

- Move slide with button -4- (do not press button) downwards to height adjuster release lever -1- and at the same time insert pin -2- in mount -3-.

**Note:**

*Fig. shows manual height adjustment mechanism.*

## 2.6 - Removing and installing rear three-point seat belt



### Notes:

- ♦ Anchorage point, outer floor panel=>Fig. 1
- ♦ Anchorage point centre (left) floor panel => Fig. 2
- ♦ Anchorage point centre (right) floor panel=> Fig. 3

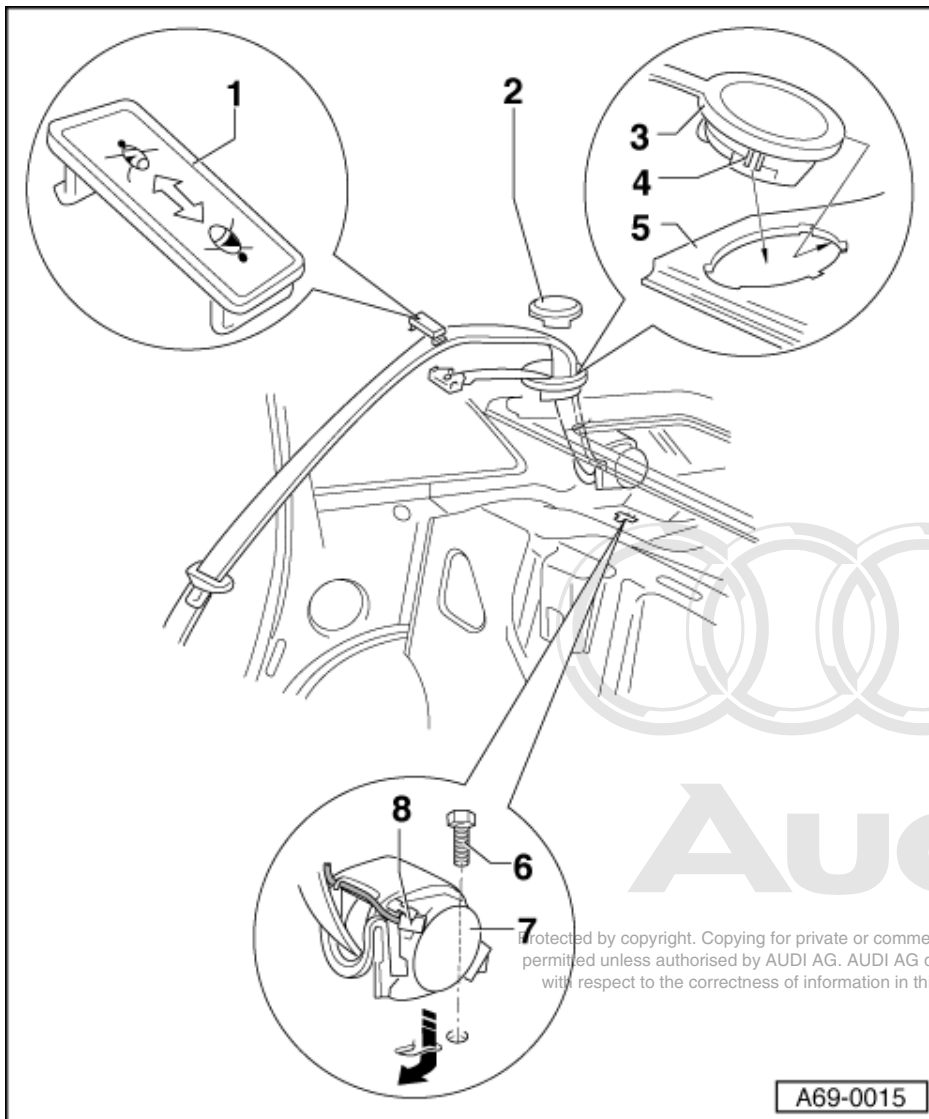
### 1 Belt guide cover

- ♦ On installation the large symbol must point towards the centre of the vehicle

### 2 Belt adjuster trim

- ♦ Lever off with flat screwdriver

Protected by copyright. Copying for private or commercial purposes, in part or in whole, is not permitted unless authorised by AUDI AG. AUDI AG does not guarantee or accept any liability with respect to the correctness of information in this document. Copyright by AUDI AG.



**3 Belt adjuster**

- ◆ Removing and installing  
=>Page 84

**4 Retainer**

- ◆ Must fully engage on installation

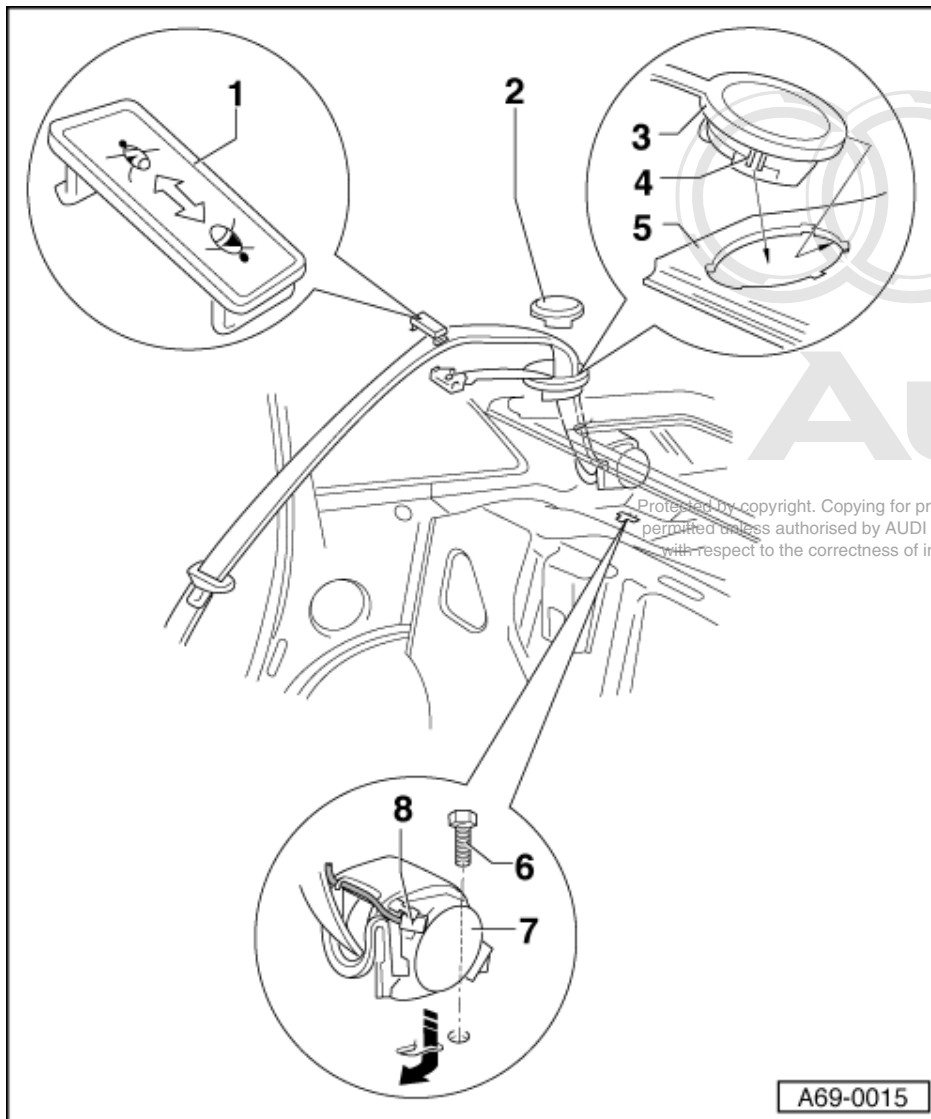
**5 Rear shelf**

- ◆ Removing and installing  
=>Page 203

**6 Hexagon bolt - 55 Nm**

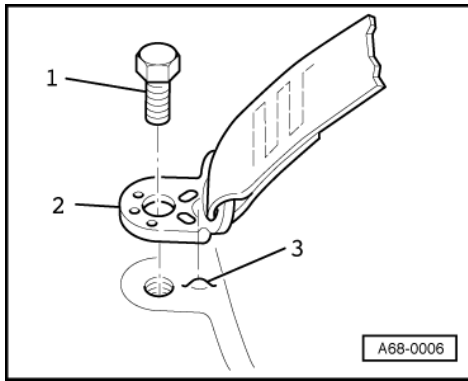
**7 Three-point seat belt**

- ◆ Removing:
  - Remove rear shelf =>Page 203 .
  - Remove rear seat backrest=>Page 330 .
  - Detach end of webbing from floor panel => Fig. 1 .



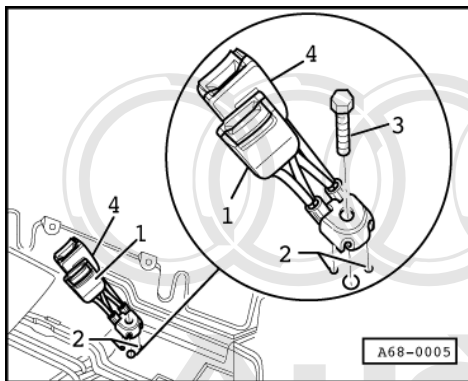
- Lever off covers -Item **1** - and -Item **2** -.
- Draw belt webbing through webbing guide.
- Detach connector from belt tensioner -Item **8** -.
- Unscrew hexagon bolt -Item **6** -.
- Detach three- point seat belt in direction opposite to arrow.
- ◆ Installing:
- Check belt function for child seat => Page **89** .
- Ensure that three-point seat belt is not impeded by cables, wires, insulation etc.
- Checking belt-fastened sensor on vehicles with belt tensioner => Page **89**

## 8 Connector for belt tensioner



-> Fig.1 Anchorage point, outer floor panel

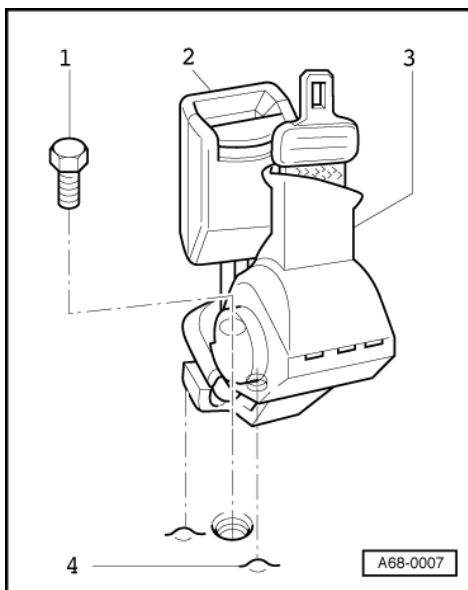
- Screw out hexagon bolt -1- (55 Nm).
- On installation ensure that seat belt anchor -2- fits into welded lug -3- of floor panel.



-> Fig.2 Anchorage point centre (left) floor panel

- 1 - Buckle for lap belt
- 3 - Hexagon bolt - 55 Nm
- 4 - Belt buckle for outer seat

- On installation ensure that buckles fit into the two welded lugs -2-.

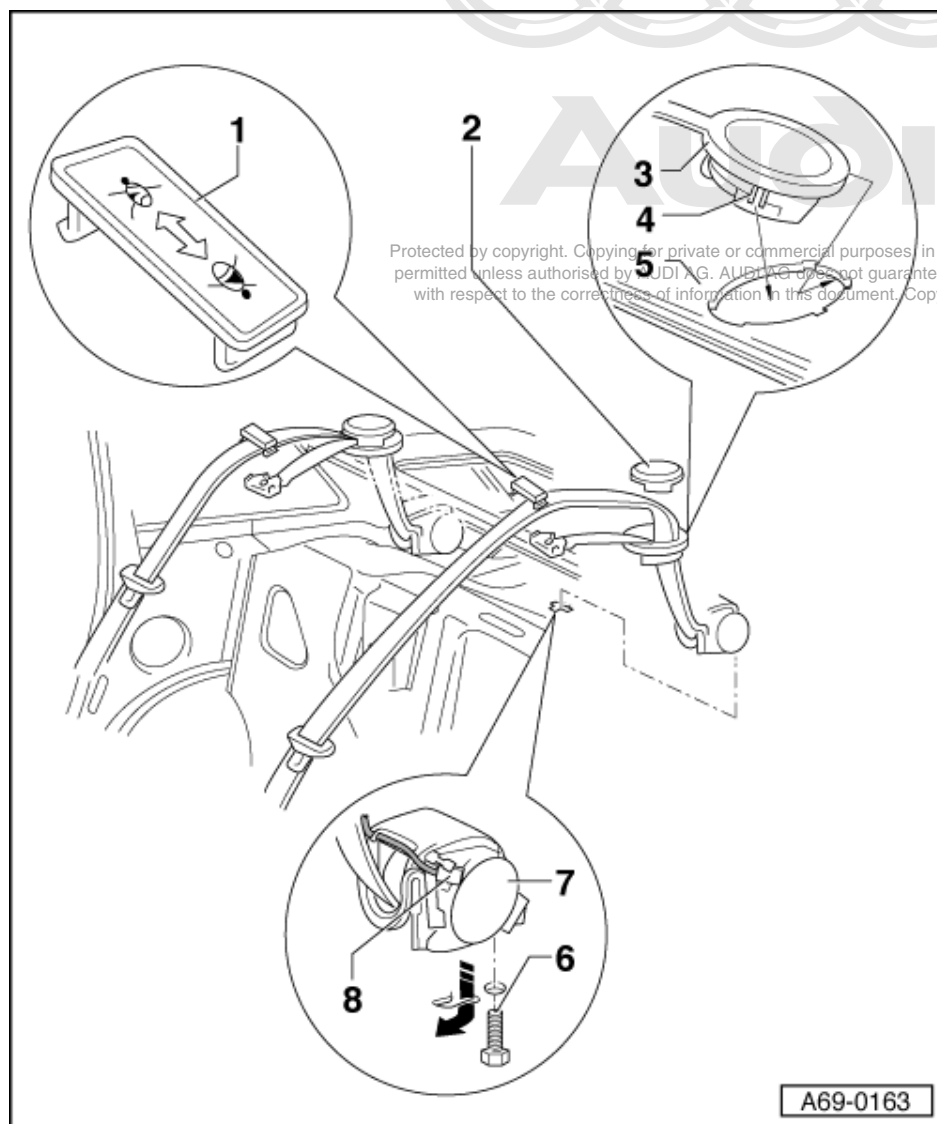


-> Fig.3 Anchorage point centre (right) floor panel

- 1 - Hexagon bolt - 55 Nm
- 2 - Belt buckle for outer seat
- 3 - Lap belt with retractor

- Ensure that buckle and lap belt fit into the two welded lugs -4-.

2.7 - Removing and installing rear centre three-point seat belt



**Notes:**

- ♦ Anchorage point centre (right) floor panel => Fig. 3
- ♦ Anchorage point centre (left) floor panel => Fig. 2

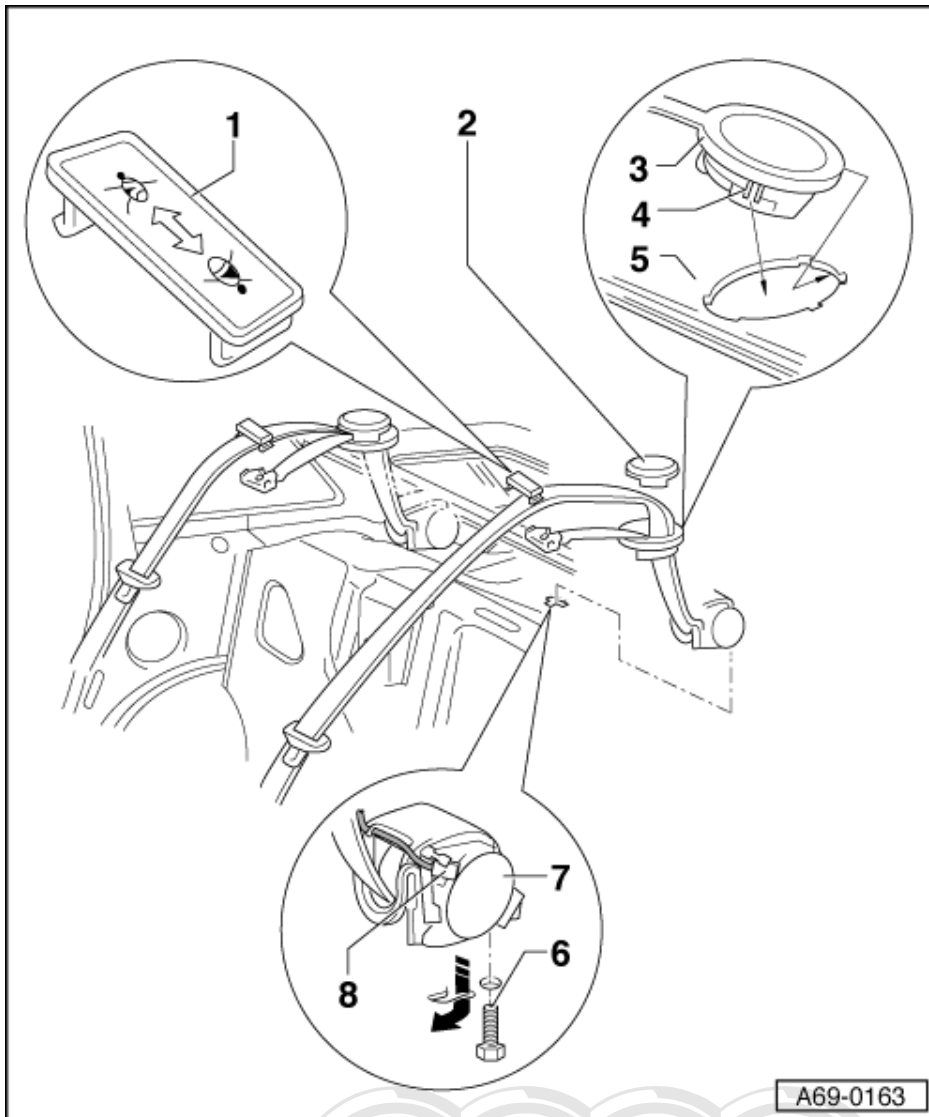
**1 Belt guide cover**

- ♦ On installation the large symbol must point towards the centre of the vehicle

**2 Belt adjuster trim**



- ◆ Lever off with flat screwdriver



**3 Belt adjuster**

- ◆ Removing and installing  
 =>Page 84

**4 Retainer**

- ◆ Must fully engage on installation

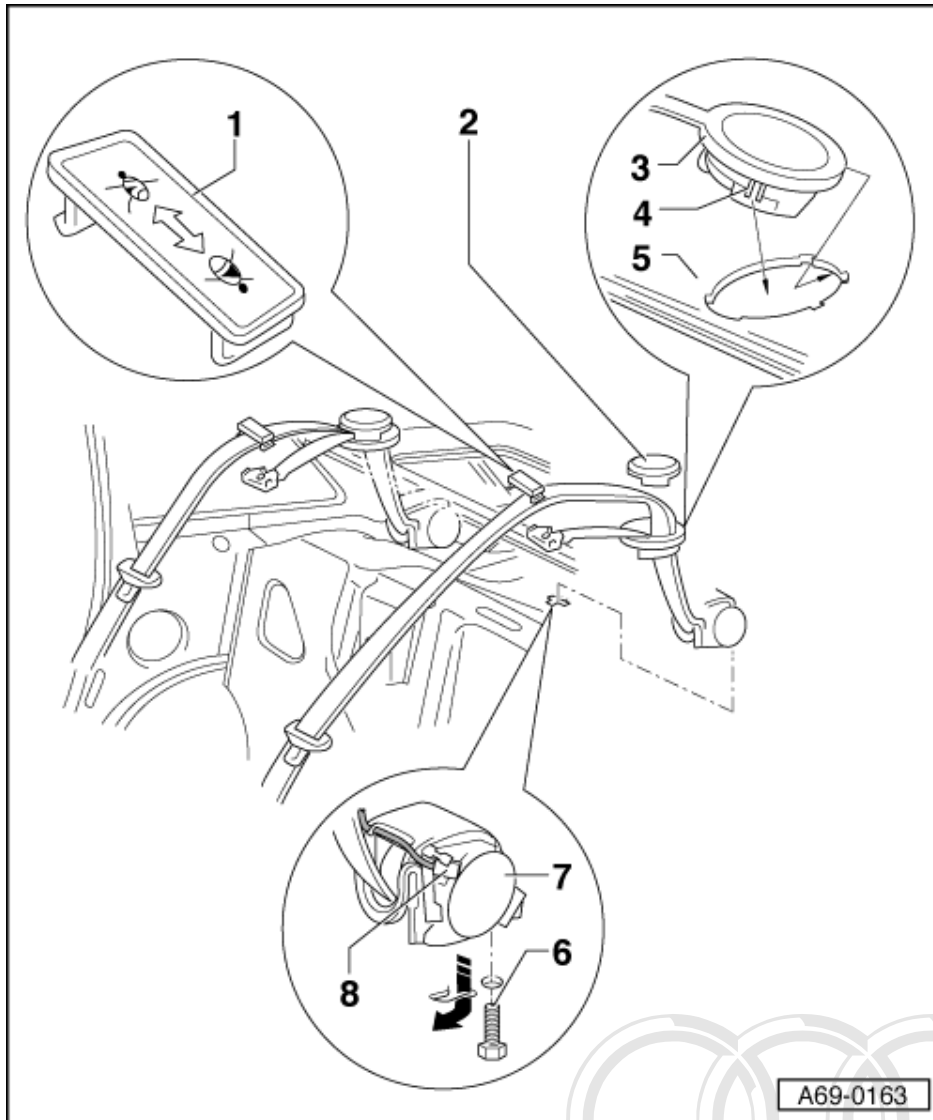
**5 Rear shelf**

- ◆ Removing and installing  
 =>Page 203

**6 Hexagon bolt - 55 Nm**

**7 Three-point seat belt**

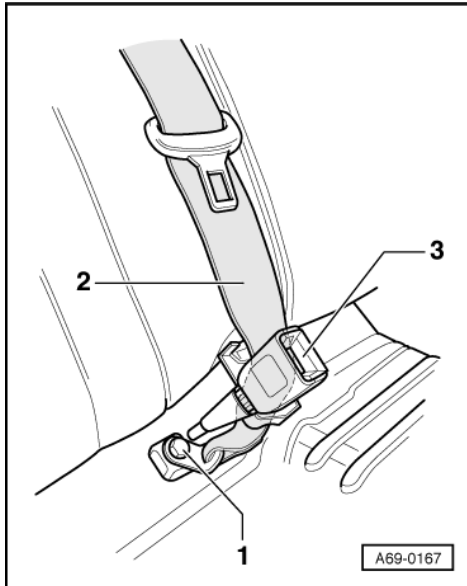
- ◆ Removing:
  - Remove rear shelf =>Page 203
  - Remove rear seat backrest =>Page 330
  - Detach end of webbing from floor panel => Fig.



- Lever off covers -Item **1** - and -Item **2** -.
- Draw belt webbing through webbing guide.
- Detach connector from belt tensioner -Item **8** -.
- Screw out hexagon bolt -Item **6** - working from boot.
- Detach three- point seat belt in direction opposite to arrow.
- ◆ Installing:
- Check belt function for child seat => Page **89** .
- Ensure that three-point seat belt is not impeded by cables, wires, insulation etc.
- Checking belt-fastened sensor on vehicles with belt tensioner => Page **89**

## **8 Connector for belt tensioner**

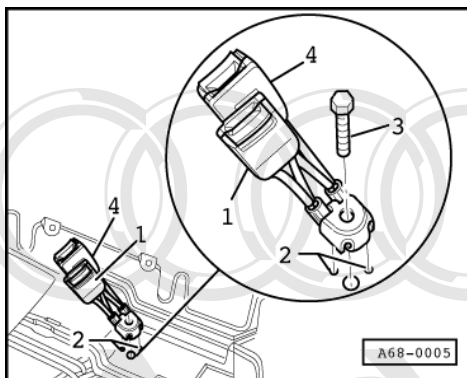
Protected by copyright. Copying for private or commercial purposes, in part or in whole, is not permitted unless authorised by AUDI AG. AUDI AG does not guarantee or accept any liability with respect to the correctness of information in this document. Copyright by AUDI AG.



-> Fig.1 Anchorage point centre (right) floor panel

- Screw out hexagon bolt -1- (55 Nm).
- On installation ensure that webbing is guided properly

- 2 - Webbing
- 3 - Belt buckle for outer seat



-> Fig.2 Anchorage point centre (left) floor panel

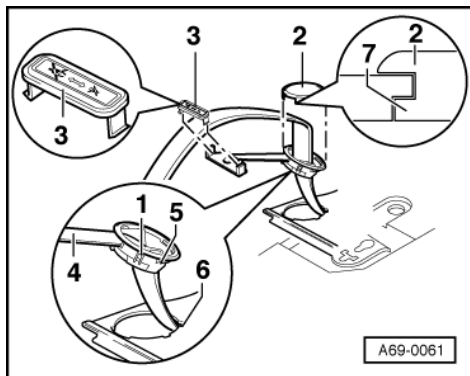
- 1 - Buckle for lap belt
- 2 - Hexagon bolt 55 Nm
- 4 - Belt buckle for outer seat

Protected by copyright. Copying for private or commercial purposes, in part or in whole, is not permitted unless authorised by Audi AG. Audi AG does not accept any liability with respect to the correctness of the information. Copyright by AUDI AG.

- On installation ensure that buckles fit into the two welded lugs -2-.

## 2.8 - Removing and installing rear belt adjustment mechanism

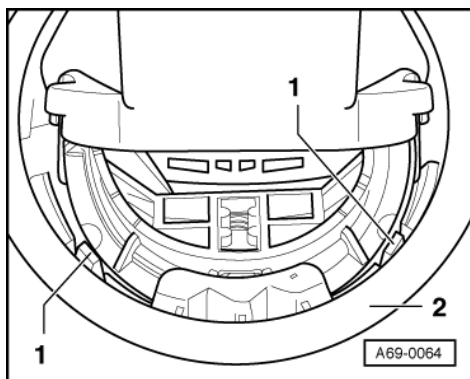
### Removing



#### Note:

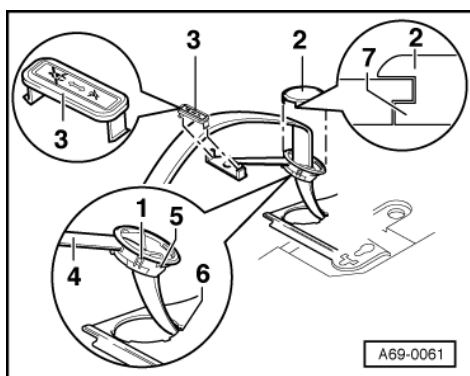
The rear shelf does not have to be taken out in order to remove the rear belt adjuster.

- Unfasten lower anchorage point of rear three-point seatbelt (55 Nm).
- -> Unclip cover for belt guide -3-.
- Lever out belt adjuster trim -2- on left and right at tab -7-.
- Raise arm of belt adjuster -4- with webbing.



- -> Use screwdriver to press retainer tabs -1- (2x) inwards and at the same time pull belt adjuster -2- upwards.
- Pull webbing through belt adjuster -2-.

### Installing

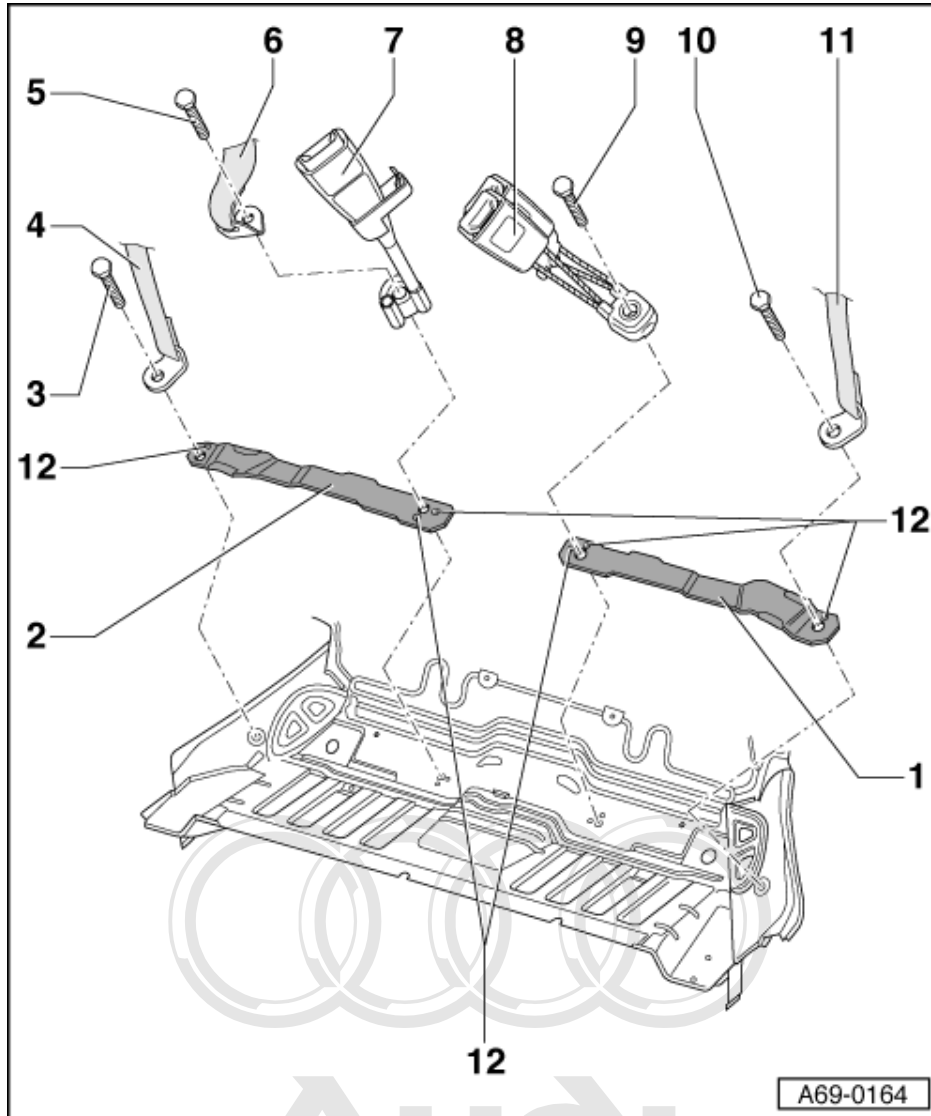


- -> Ensure that retainers -1- (2x) engage properly.
- Ensure that rear stud engages in recess -6-.



- Fitting guide -5- must face centre of vehicle.

## 2.9 - Reinforcement of floor panel anchorage point



### 1 Left reinforcement

- Slide under wiring harness => Fig.: 1

### 2 Right reinforcement

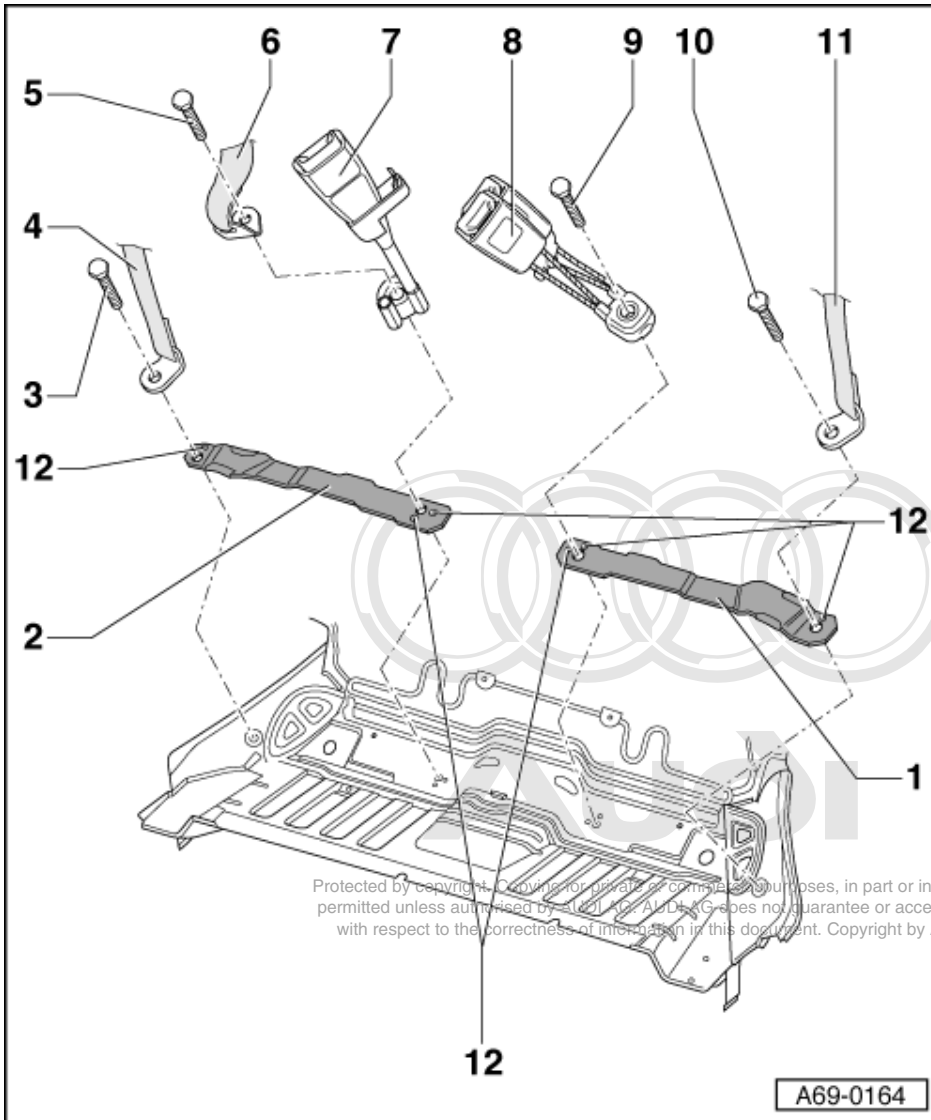
- Slide under wiring harness => Fig.: 2

### 3 Hexagon bolt - 55 Nm

### 4 Webbing of right three-point seat belt

- ♦ On installation ensure that seat belt anchor fits into welded lug -12-

### 5 Hexagon bolt - 55 Nm

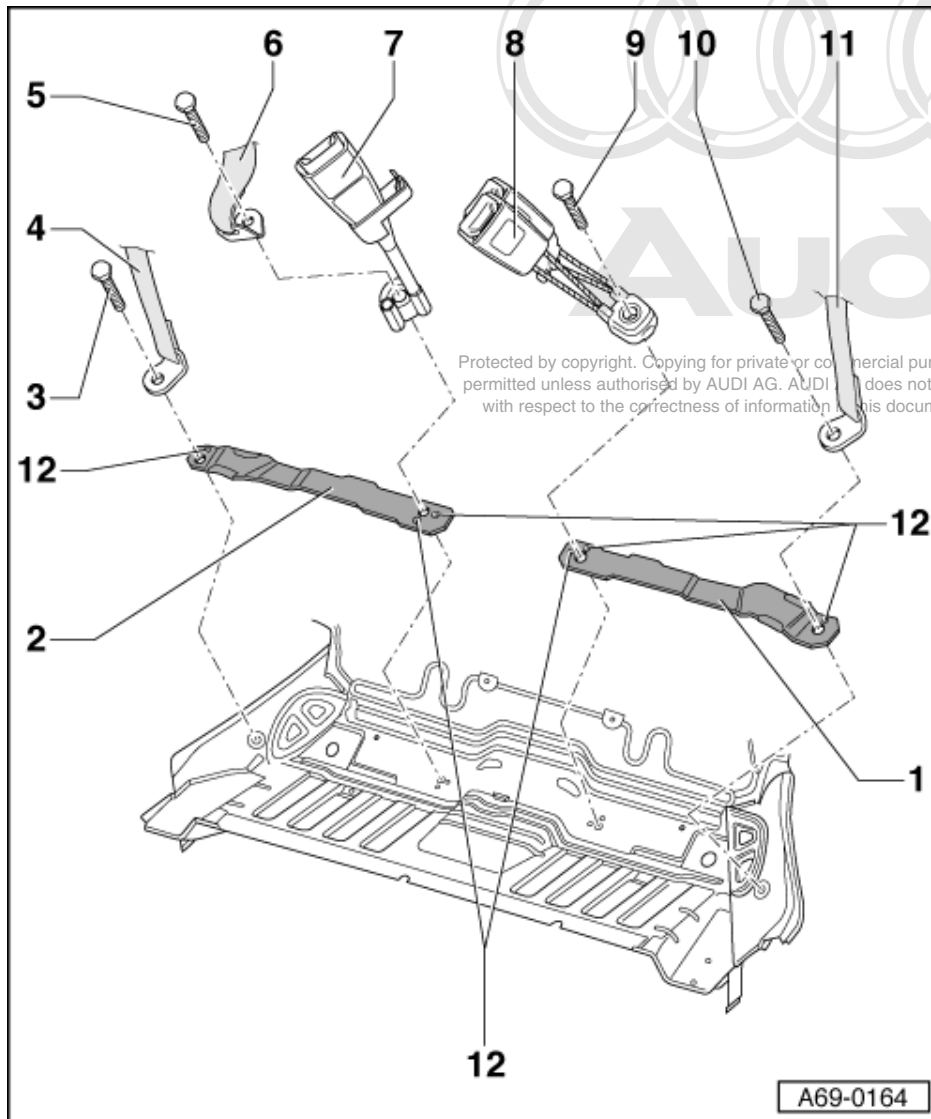


**6 Webbing of centre three-point seat belt anchorage point**

- ◆ Bolted to buckle for right three-point seat belt

**7 Buckle for right three-point seat belt**

- ◆ Bolted to webbing of centre three-point seat belt
- ◆ On installation ensure that buckles fit into the two welded lugs -12-



**8 Buckle for left and centre three-point seat belt**

- ◆ On installation ensure that buckles fit into the two welded lugs -12-

**9 Hexagon bolt - 55 Nm**

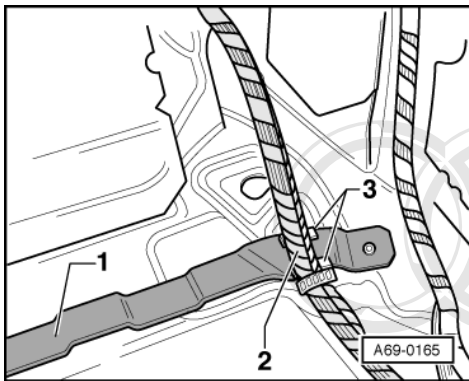
**10 Hexagon bolt - 55 Nm**

**11 Webbing of left three-point seat belt**

- ◆ On installation ensure that seat belt anchor fits into welded lug -12-

**12 Welded lug**

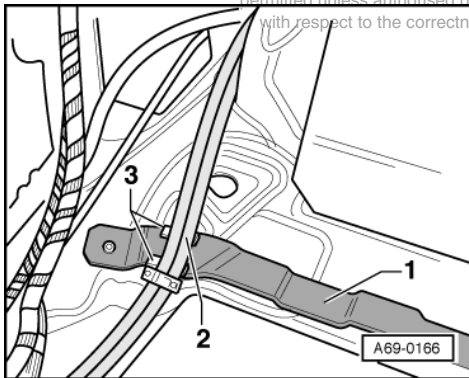
Fig.:1 Fitting left reinforcement



- Slide reinforcement -1- under wiring harness -2-.
- Refer to position of edge protection -3-.

Fig.:2 Fitting right reinforcement

Protected by copyright. Copying for private or commercial purposes, in part or in whole, is not permitted unless authorised by AUDI AG. AUDI AG does not guarantee or accept any liability with respect to the correctness of information in this document. Copyright by AUDI AG.



- Slide reinforcement -1- under wiring harness -2-.
- Refer to position of edge protection -3-.

## 3 - Checking seat belts

### 3.1 - Checking seat belts

#### Important

After every accident the seat belt system must be inspected systematically. If damage is determined when inspecting the check points, customer must be informed regarding necessity of changing belts.

#### Check points:

- ◆ Check belt strap
- ◆ Check belt retractor (locking action)
- ◆ Visual inspection of belt buckle
- ◆ Functional test of belt buckle
- ◆ Check belt guides and latch plate
- ◆ Check securing parts and anchorage points

#### Note:

*If customer refuses to have a damaged seat belt replaced, appropriate note should be made.*



## 3.2 - Checking child seat restraint function for additional child seats

### Passenger seat belt 07.96 ä, rear seat belts 07.95 ä

- The complete belt assembly (including B-pillar trim) must be fitted when checking this function.
- ◆ Activation of restraint function:
  - Pull out belt as far as possible.
- ◆ Function:
  - The belt should retract with an audible noise.
  - If the belt retraction is then stopped, it should not be possible to pull the belt out again until the function is deactivated.
- ◆ Deactivation:
  - Allow the belt to retract as far as the last 100 mm (approx.).
  - Restraint function must be deactivated at the latest when last 100 mm are reached. The belt then re-assumes its normal function.

## 3.3 - Checking belt fastened sensor for rear left and right belts with belt tensioner 07.96 ä

- Read measured value block, display group 004

=> Body Self-diagnosis; Repair group 01; Self-diagnosis of airbag system; Reading measured value block Self-diagnosis of airbag system Reading measured value block

Belt fully retracted: display on V.A.G tester - no -.

Latch plate engaged in buckle and belt pulled out by dimension - L -: Display on V.A.G tester - yes -.

Pull out belt webbing as far as possible. On doing so, display on V.A.G tester must remain on - yes -.

Then retract belt as far as dimension - L- but do not yet release latch plate; display on V.A.G tester must remain on - yes -.

Release latch plate and slowly retract belt; at the latest when the belt has retracted as far as the last 100 mm, display must switch from - yes - to - no -.

Belt fully retracted: display on V.A.G tester - no -.

- ◆ Dimension - L - is 250 mm for left and right belt. Belt sideways adjuster set to centre position.

## 4 - Airbag safety precautions

### 4.1 - Airbag safety precautions

### 4.2 - Safety precautions when working on airbag

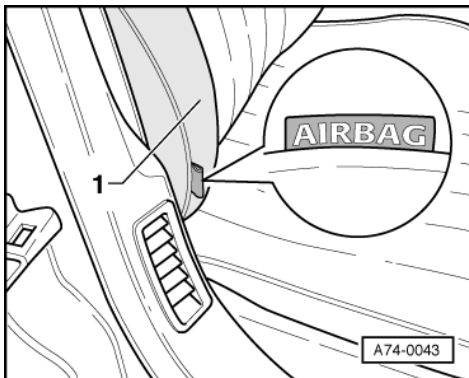
- ◆ Testing, removing, installing and repair work may only be performed by qualified personnel.
- ◆ Do not test with a test lamp, voltmeter or ohmmeter.
- ◆ The airbag system may only be checked with fault reader V.A.G 1551/1552 and when installed. An exception is the self-cancelling ring with slip ring.
- ◆ Always disconnect power supply when working on the airbag system.  
Detach battery earthing strap/cable, cover over negative terminal.  
No waiting period is required after disconnecting the battery.
- ◆ There must be no-one in the vehicle when the battery is being connected.
- ◆ Airbag components must neither be opened nor repaired. Always use new components.
- ◆ The interval for replacing the airbag units no longer applies.

- ◆ Always observe the following sequence when replacing an airbag unit:
  - 1 - Remove old airbag unit and place down with padding facing upwards; with head airbag observe procedure for head airbag => Page 91 .
  - 2 - Take new airbag unit from transport container and store with padding facing upwards; with head airbag observe procedure for head airbag => Page 91 .
  - 3 - Immediately place old airbag unit into transport container.
  - 4 - Install new airbag unit into vehicle.
- ◆ The airbag units should be installed immediately after removing them from their transport containers.
- ◆ If work is interrupted, the airbag unit should be replaced in its transport container.
- ◆ The airbag units must not be left unattended.
- ◆ Airbag units which have been removed must stored with the padding facing upwards with exception of head airbag => Page 91 .
- ◆ Airbag units which are dropped on a hard surface or are damaged must not be used.
- ◆ The airbag unit must not be treated with grease, cleaning agents or similar, and must not, even for a short time, be exposed to temperatures above 100 °C.
- ◆ Airbag units which were not triggered must be marked and be sent back to manufacturer for disposal (use transport containers for airbag units).

Protected by copyright. Copying for private or commercial purposes, in part or in whole, is not permitted unless authorised by AUDI AG. AUDI AG does not guarantee or accept any liability with respect to the correctness of information in this document. Copyright by AUDI AG.

### 4.3 - Additional safety precautions for side airbag

- ◆ The side airbags are subject to the same safety precautions as the driver's and front passenger's airbags as well as the following.



- ◆ -> Only fit genuine seat and backrest covers released for use by AUDI AG with side airbag (can be seen from airbag label attached on cover -1-).
- ◆ No extra covers should be fitted over the backrests, as this would impair the function of the side airbags.
- ◆ Seat cushions, mats or similar which would impair the function of the seat occupied sensor and airbags must not be used.

#### **Note:**

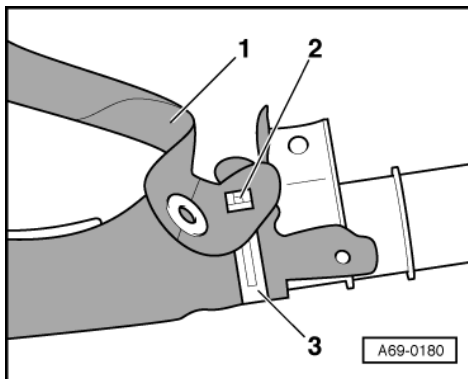
*Seat-occupied sensor mat is not fitted in driver's seat.*

- ◆ In vehicles with no seat heating, the seats are fitted with dummy seat heating elements (heating element with no wire).
- ◆ The foam upholstery in the backrest must not be cut away in the vicinity of the side airbag.
- ◆ The interval for replacing the airbag units no longer applies.
- ◆ If the seat cover fabric is damaged (tears, burn marks, etc.) in the vicinity of the side airbag, the cover must be replaced for safety reasons, as otherwise the side airbag will not inflate properly.
- ◆ No repairs may be performed on the backrest cover fabric near the side airbag (original fabric has special thread and exactly defined seams).
- ◆ Never use upholstery needles or poke any other sharp objects through the seat cover fabric in the vicinity of the airbag and sensor mat.
- ◆ When installing, ensure seam for side airbag is straight.

- ◆ All upholstery clips (metal and plastic clips) must be replaced.
- ◆ Use only genuine upholstery clips.
- ◆ When installing, all upholstery clips must be fitted in the same positions as the original ones.
- ◆ Always renew backrest upholstery after side airbag has been triggered.
- ◆ All damaged components must be replaced after an accident. The original airbag unit can still be used if no signs of damage are found.
- ◆ If side airbag units are replaced, remove airbag number sticker from the new unit and stick it over the old one on the seat pan.

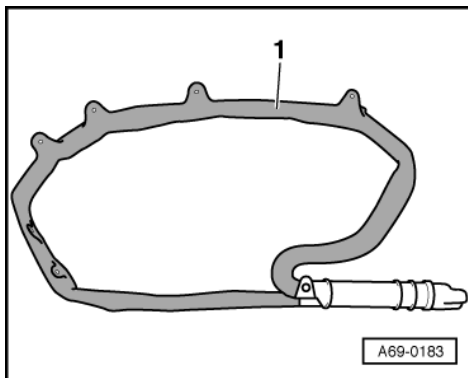
#### 4.4 - Additional safety precautions for head airbag

- ◆ The head airbags are subject to the same safety precautions as the driver's and front passenger's airbags.
- ◆ Before installing a visual check for damage on the trims must be carried out.
- ◆ Trim must not be repaired (upper A-pillar trim, upper B-pillar trim, upper C-pillar trim, narrow D-pillar trim and trim D-pillar).
- ◆ When installing, ensure that trims are fitted securely.

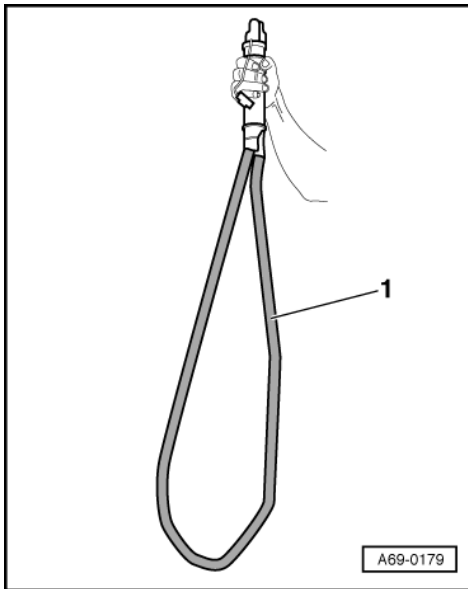


Protected by copyright. Copying for private or commercial purposes, in part or in whole, is not permitted unless authorised by AUDI AG. AUDI AG does not guarantee or accept any liability with respect to the correctness of information in this document. Copyright by AUDI AG.

- ◆ Take care not to kink head airbag module.
- ◆ When performing repairs behind head airbag always remove entire module (avoid partial detachment and kinking).
- ◆ -> Following removal of airbag modules -1- the front part (of A-pillar) must be suspended from clamp -2- of clamp type clip -3- for storage and transportation.



- ◆ -> Following removal place head airbag modules -1- in container in the shape of a loop or on a clean flat surface (on blanket or in boot).
- ◆ After body repairs in the vicinity of the head airbag the body must be checked for welding splashes, deformation or abrasion (compare to opposite side).
- ◆ Always hold head airbag module securely.



- ◆ -> Always fold head airbag modules -1- into a loop and only grasp hold of gas generator (with thumb pointing in direction of electrical connection).
- ◆ Always keep one hand on plastic housing.
- ◆ Do not twist, turn, knot, throw, pull, hang, pinch, press or clamp head airbag module.
- ◆ If contamination such as oil, grease, paint and solvents is absorbed into fabric always replace module.

#### 4.5 - Replacing airbag units after accident

**Accident with airbag/belt tensioner triggering up to and including airbag 7.**

The control unit for airbag must be replaced every time an airbag/belt tensioner has been triggered.

**Accident involving airbag/belt tensioner triggering with airbag 8 (introduced as of date of manufacture 10.98).**

**Notes:**

Protected by copyright. Copying for private or commercial purposes, in part or in whole, is not permitted unless authorised by AUDI AG. AUDI AG does not guarantee or accept any liability

*For vehicles with airbag 8 the display shows Airbag front + side or Airbag front + head.*

*The control unit for the airbag can be used for up to three side/head airbag and/or belt tensioner deployments.*

*The fault display "Control unit defective" will appear after third deployment.*

**Airbag control unit must be replaced:**

- ◆ If driver/passenger airbag is deployed.
- ◆ If housing is damaged.
- ◆ In the event of tunnel deformation within 200 mm. radius of control unit.
- ◆ After airbags have been triggered three times.

**Always exchange the following:**

- ◆ All triggered airbag units.

**Additionally, if passenger's airbag has been triggered:**

- ◆ Airbag flap and frame (Do not bend deformed frame back into shape); dash panel, if damaged.
- ◆ Lateral acceleration sensor if floor pan around sensor has been deformed.

**Additionally, if driver's airbag has been triggered:**

- ◆ Self-cancelling ring with slip ring.
- ◆ Lateral acceleration sensor if floor pan around sensor has been deformed.

**Additionally, if side airbag has been triggered:**

- ◆ Lateral acceleration sensor on side where airbag has been triggered.
- ◆ Backrest upholstery.
- ◆ Backrest cover.
- ◆ Non-triggered lateral acceleration sensor if floor pan around sensor has been deformed.

**Additionally, if head airbag has been triggered:**

- ◆ Lateral acceleration sensor on side where airbag has been triggered.
- ◆ Trims pillars A, B, C, D and narrow D-pillar trim.
- ◆ Non-triggered lateral acceleration sensor if floor pan around sensor has been deformed.

**Additionally:**

- ◆ All seat belts with triggered belt tensioners
- Triggered belt tensioners can be recognised with self-diagnosis with airbag V, 7 and 8.

**A - with triggered airbag control unit:**

Protected by copyright. All rights reserved. This document, in part or in whole, is not permitted unless authorised by AUDI AG. AUDI AG does not guarantee or accept any liability with respect to the correctness of information in this document. Copyright by AUDI AG.

**Front belt tensioner:**

```
Read measured value block 1
 1      2      3      4
```

-> Read measured value block, display group 001:

=> Body Self-diagnosis; Repair group 01; Self-diagnosis of airbag system; Reading measured value block Self-diagnosis of airbag system Reading measured value block

A triggered belt tensioner is identified by the fault message "0111" or "too great".

**Rear seat belt tensioner:**

```
Read measured value block 2
 1      2      3      4
```

-> Read measured value block, display group 002:

=> Body Self-diagnosis; Repair group 01; Self-diagnosis of airbag system; Reading measured value block Self-diagnosis of airbag system Reading measured value block

A triggered belt tensioner is identified by the fault message "0111" or "too great".

**B - with triggered airbag control unit:**

- Interrogate fault memory:

=> Body Self-diagnosis; Repair group 01; Self-diagnosis of airbag system; Interrogating fault memory Self-diagnosis of airbag system Interrogating fault memory

A triggered belt tensioner is identified by the fault message "Belt tensioner igniter - Resistance value too great".

- ◆ In addition, the following must also be replaced, if necessary (visual check):  
all defective components



### Accident not involving activation of airbag

- ◆ If the airbag warning lamp -K75 does not indicate a fault, it is not necessary to replace the airbag components. The seat belts should be checked separately.

After replacing the airbag units or the control unit, affix stickers (only tear-off strips) to the registration card and return the registration card to the relevant Sales Centre or to the Importer for registration.

### Storage and transport of airbag units

- ◆ The airbag unit is a class PT 1 pyrotechnic device. **Storage and transport are subject to safety legislation** relating to hazardous materials (explosives).

In Germany:

Small quantities of materials and articles may be kept in lockable rooms without special storage permission. Dispatch and transportation is only permitted in officially approved transport containers.

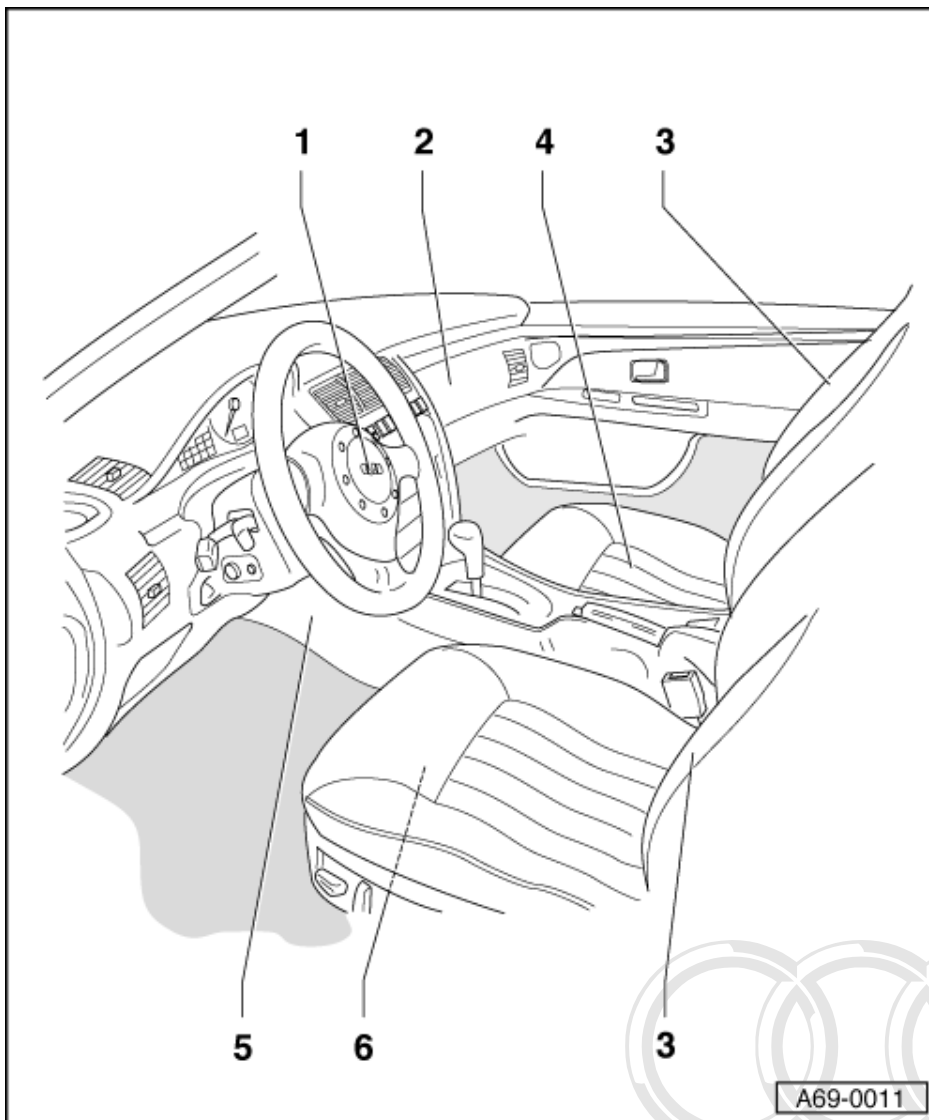
- ◆ Airbag units must not be stored for longer than 3 months

### Disposal of airbag units

- ◆ In Germany airbag units must be rendered unusable prior to scrapping by means of electrical ignition, in accordance with accident prevention regulations, as pyrotechnic devices can cause injury if activated improperly (e.g. with a cutting torch during scrapping)
- ◆ The airbag unit must only be electrically ignited when installed in the vehicle. Ignition device part no. 8D1 971 259 must be used.
- ◆ Minimum distance to vehicle: 10 m

## 5 - Repairing airbag

### 5.1 - Repairing airbag



### 5.2 - Overview of front fitting locations

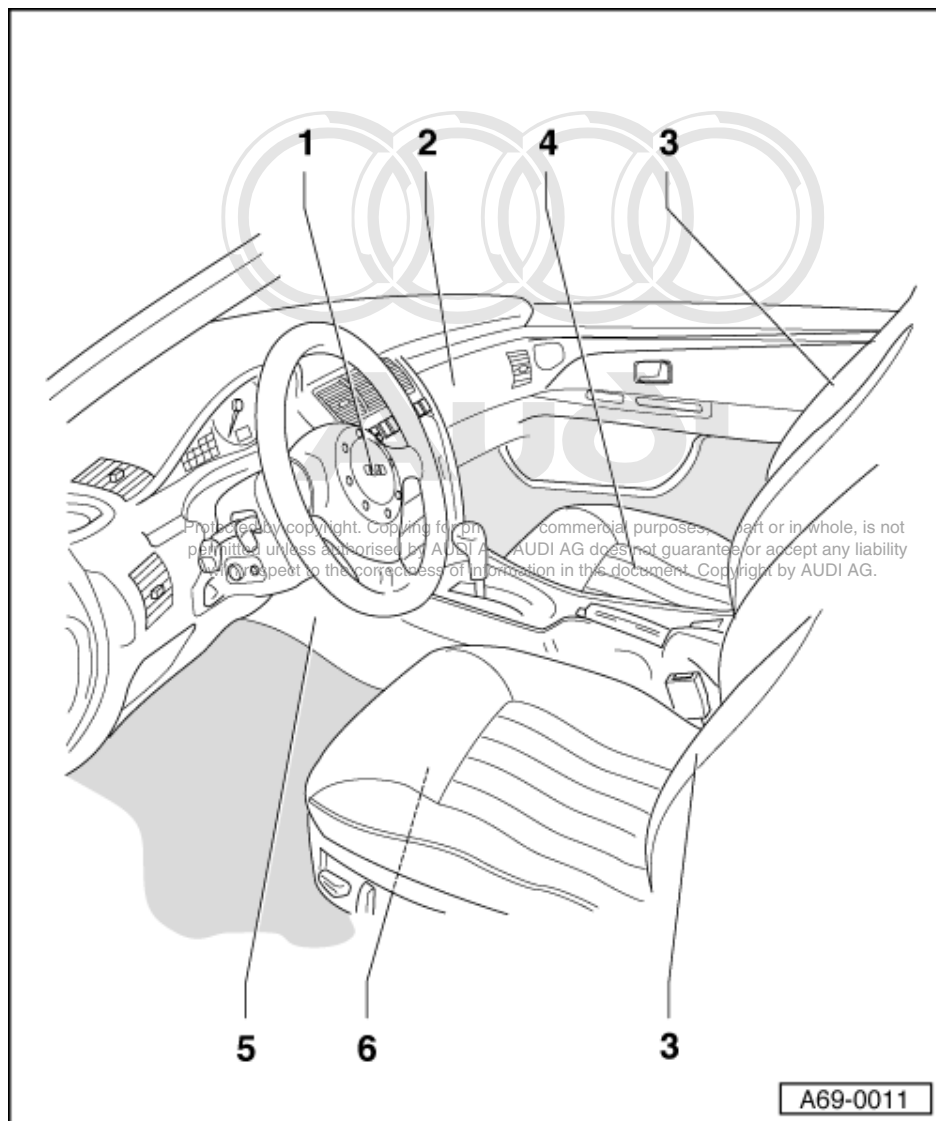
#### 1 Driver's airbag unit

- ◆ Removing and installing ä06.97 =>Page 99
- ◆ Removing and installing with sports steering wheel ä 06.97 =>Page 108
- ◆ Removing and installing 07.97 ä =>Page 116
- ◆ Removing and installing with sports steering wheel 07.97 ä =>Page 122

#### 2 Passenger's airbag unit

- ◆ Removing and installing =>Page 131 .

Protected by copyright. Copying for private or commercial purposes, in part or in whole, is not permitted without the prior written consent of AUDI AG. AUDI AG does not guarantee or accept any liability with respect to the correctness of information in this document. Copyright by AUDI AG.



### 3 Side airbag, driver/passenger side

- ◆ Removing and installing  
=>Page 142
- ◆ Removing and installing with sports seat => Page 143

### 4 Front seat occupied sensor

- ◆ Removing and installing  
=>Page 151
- ◆ Removing and installing with sports seat => Page 151

### 5 Airbag control unit -J234

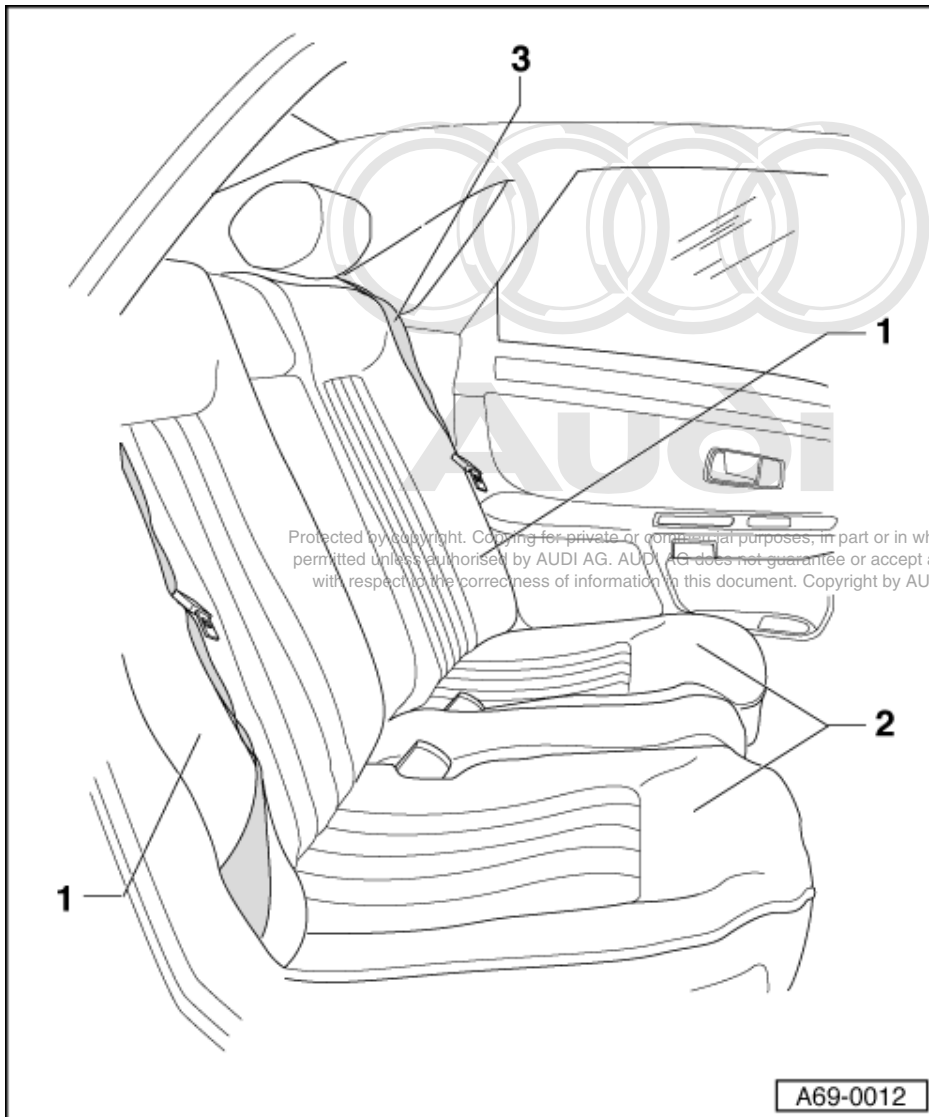
- ◆ Removing and installing  
=>Page 98

### 6 Lateral acceleration sensor

- ◆ Removing and installing  
=> Page 156



### 5.3 - Overview of rear fitting locations



#### 1 Rear side airbag

- ◆ Removing and installing  
=>Page 147
- ◆ Removing and installing with electrically adjustable individual seats  
=> Page 149

#### 2 Rear seat occupied sensor

- ◆ Removing and installing  
=>Page 153
- ◆ Removing and installing with electrically adjustable individual seats  
=> Page 154

#### 3 Three-point seat belt with belt tensioner

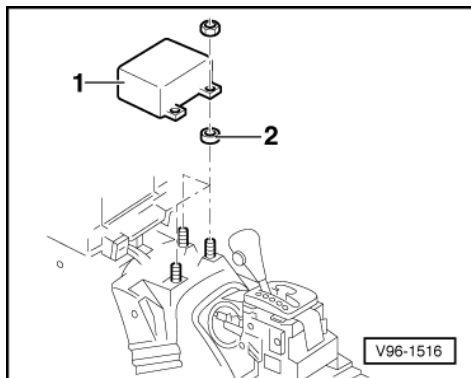
- ◆ With seat belt switch -E24 for belt fastened sensor
- ◆ Removing and installing  
=>Page 76

## 5.4 - Removing and installing control unit for airbag -J234

**Important**  
Observe safety precautions for working on airbag =>

### Removing

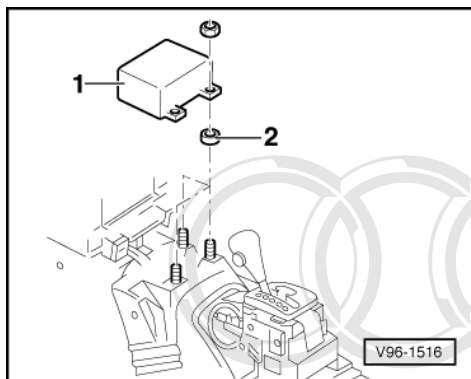
- Refer to coding on vehicles with encoded radio/radio navigation system (RNS); if necessary, interrogate.
- Disconnect battery and cover negative terminal.
- Remove centre console => Page 14 .



- -> Detach connector on left of control unit -1-.
- Screw out the three nuts.
- Remove control unit.

### Installing

Installation is carried out in the reverse order; note the following:



- -> Note spacer sleeves -2-.
- Tighten nuts to 6 Nm.
- Switch the ignition on.

**Important**  
There must be no-one in the vehicle when the battery is being connected.

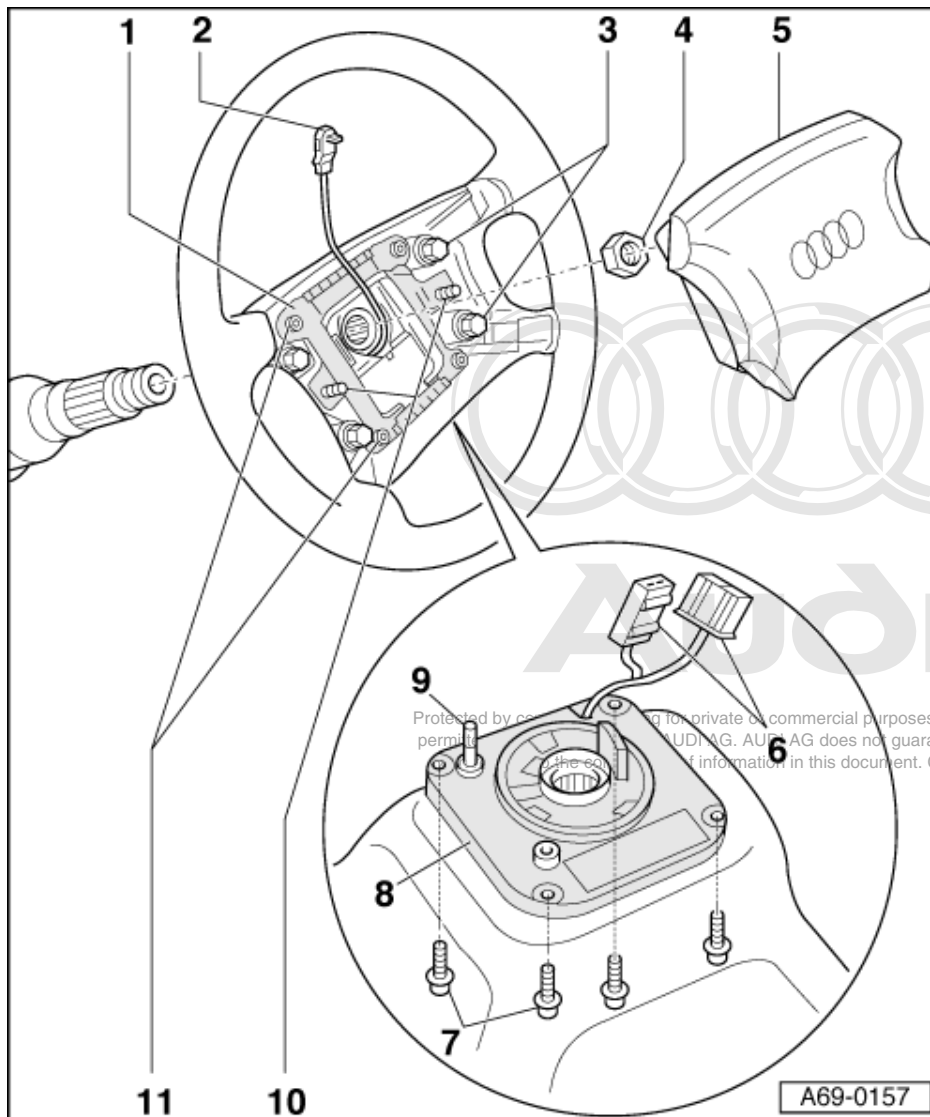
Protected by copyright. Copying for private or commercial purposes, in part or in whole, is not permitted unless authorised by AUDI AG. AUDI AG does not guarantee or accept any liability with respect to the correctness of information in this document. Copyright by AUDI AG.

- Connect battery.
- Control unit must be encoded if it is replaced:

=> Body, Self-diagnosis; Repair group 01; Self-diagnosis of Airbag System; Coding control unit Self-diagnosis of Airbag System Coding control unit

## 6 - Repairing driver's airbag

### 6.1 - Repairing driver's airbag

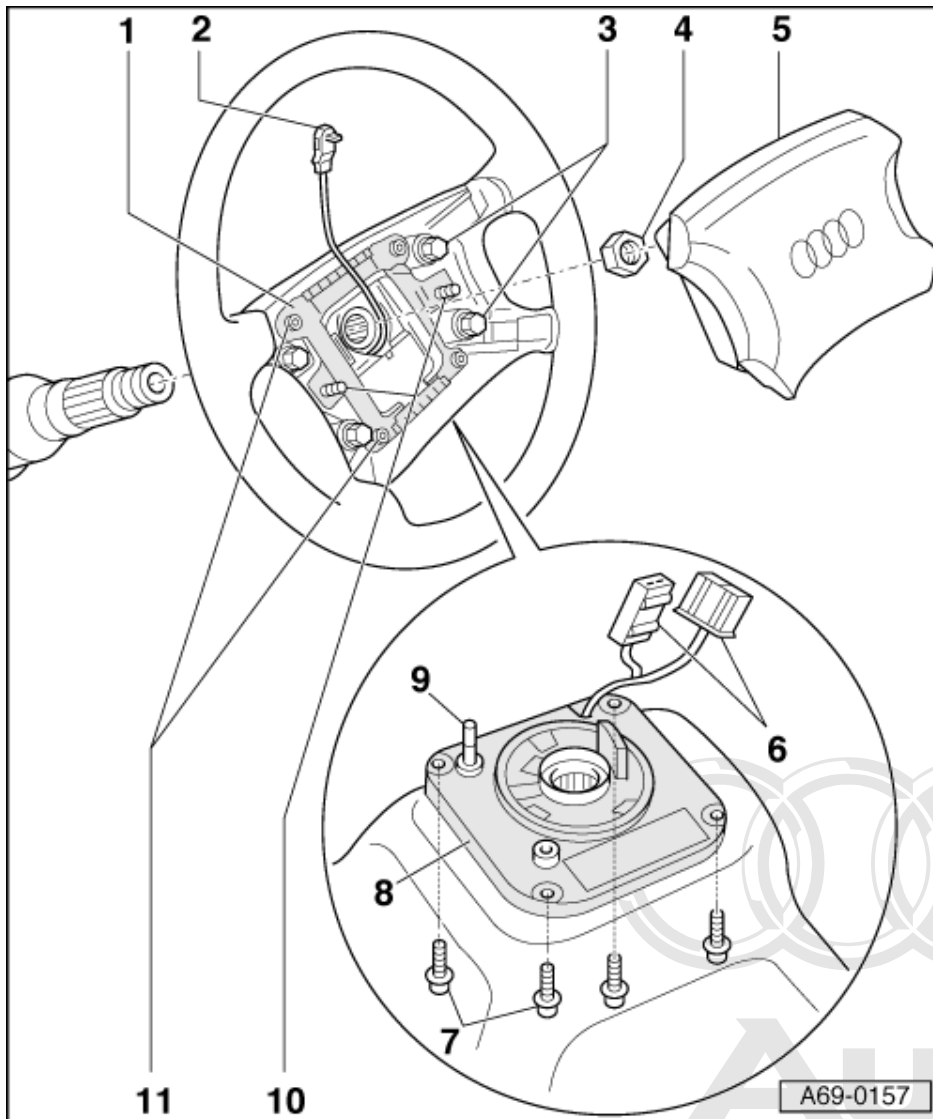


### 6.2 - Removing and installing driver's airbag unit 06.97

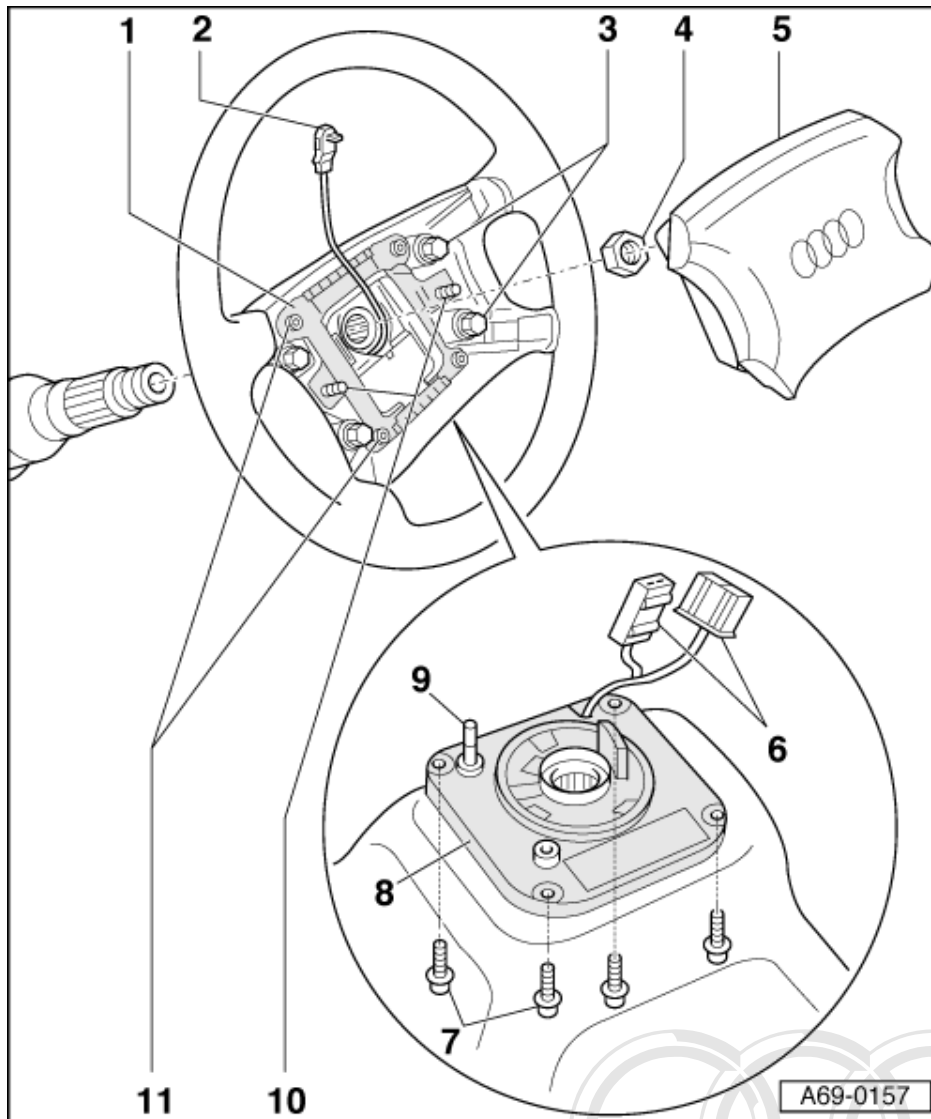
#### Important

#### ◆ Removing

- Move steering wheel as far as possible into passenger compartment and upwards.
- Refer to coding on vehicles with encoded radio/radio navigation system (RNS); if necessary, interrogate.



- Detach battery earthing strap/cable and cover battery terminal.
- Screw out TORX bolts T30 -10- on back of steering wheel => Fig. 1
- Carefully fold airbag unit -5- rearwards and unplug connector -2- from airbag unit.
- Put down airbag unit in such a way that padding faces upwards.



◆ Installation

- Make sure that the connector -2- engages (i.e. audibly).
- Tighten TORX bolts T30 -10- to 10 Nm.

**Important**

Ensure that there is no-one in the vehicle when connecting battery earthing strap/cable.

- Switch on ignition and connect battery earthing strap/cable.

**Notes:**

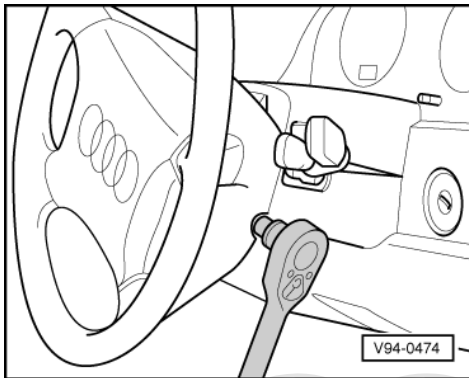
Protected by copyright. Copying for private or commercial purposes, in part or in whole, is not permitted unless authorised by AUDI AG. AUDI AG does not guarantee or accept any liability with respect to the correctness of information in this document. Copyright by AUDI AG.

- ◆ After connecting the battery, please ensure that the vehicle accessories (radio, clock, electric window lifters) are checked according to workshop manual and/or operating instructions.

=> Electrical System; Repair group 27; Battery Battery

- ◆ If the fault warning light (K 75) for airbag signals a fault after assembly the fault memory must be erased and again be interrogated by using fault reader V.A.G 1551.

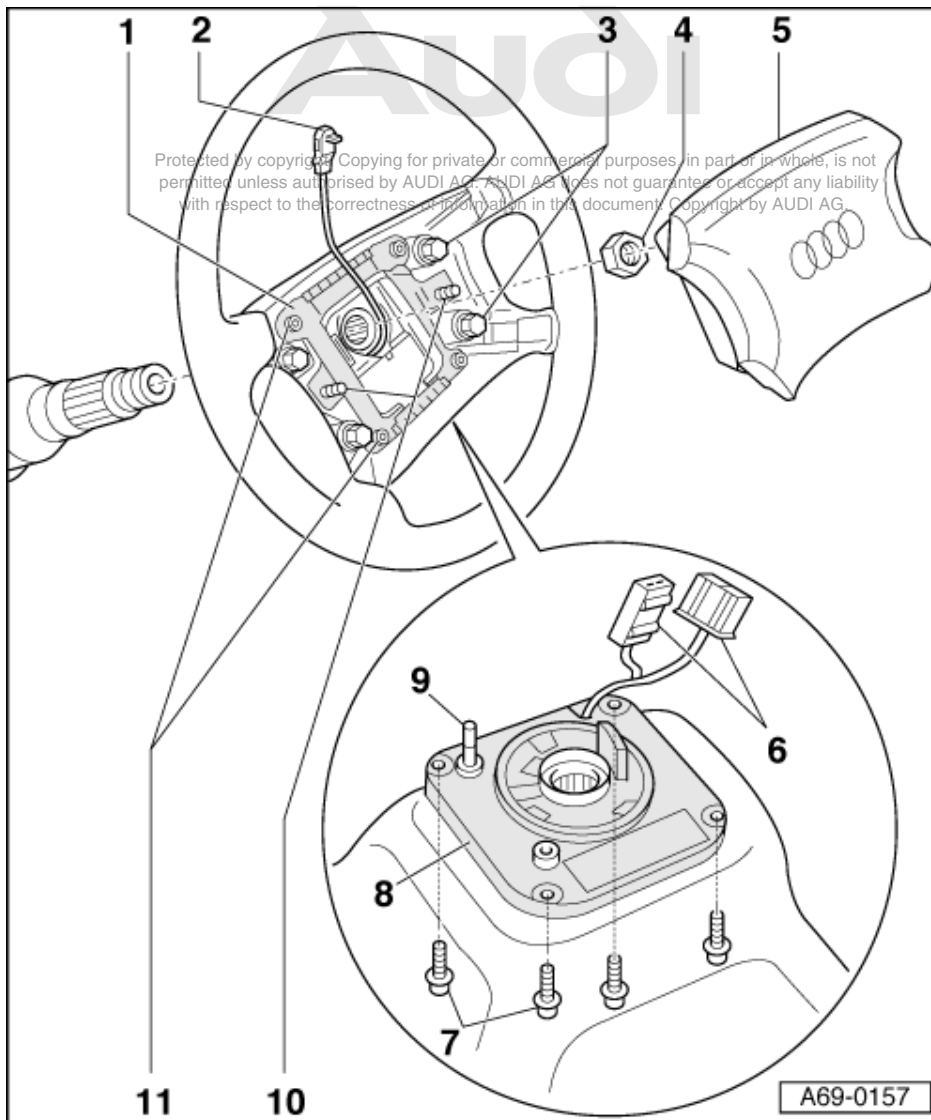
=> Body Self-diagnosis; Repair group 01



-> Fig.1 Unscrewing airbag unit

- Use TORX insert T30 to unscrew airbag unit from back of steering wheel on left and right.

### 6.3 - Removing and installing steering wheelä06.97

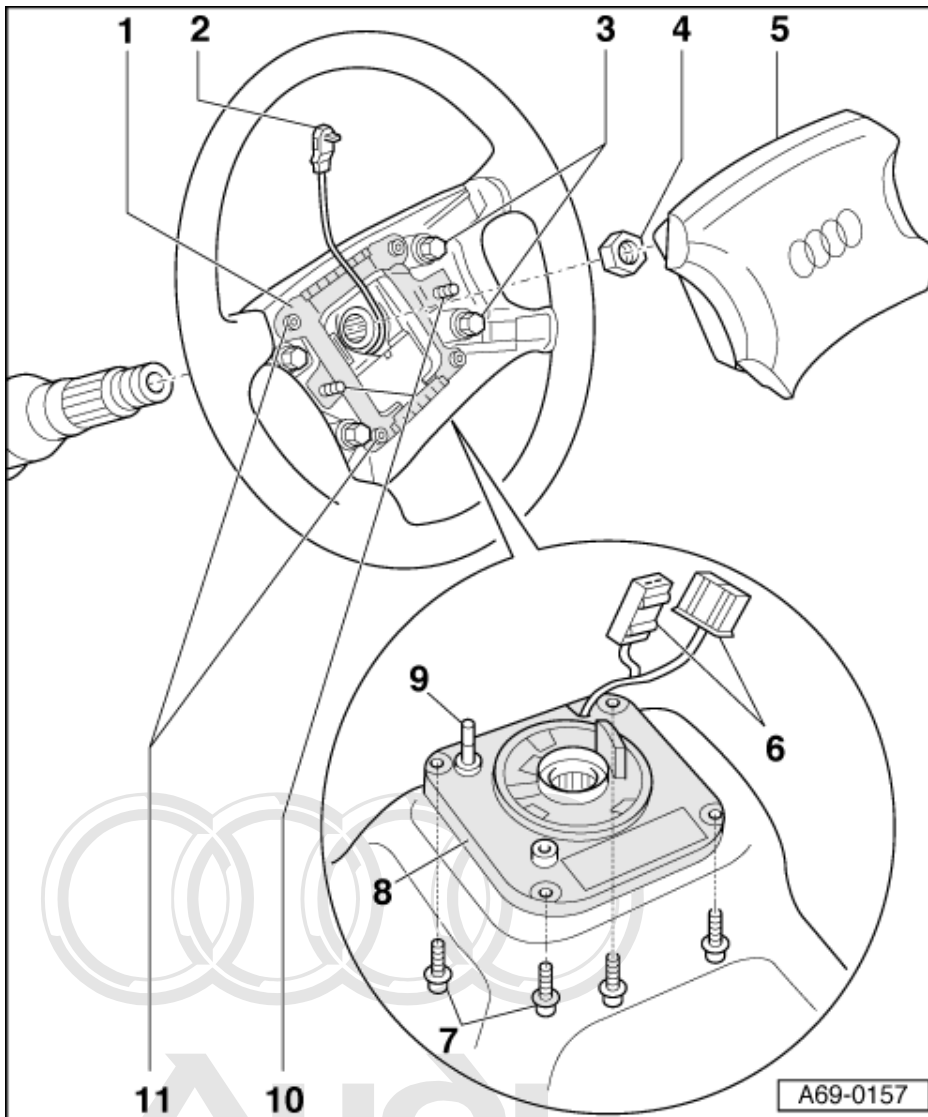


Important

- ◆ Observe safety precautions for working on airbag =>
- ◆ The wheels must be in the straight-ahead position when removing steering wheel.

◆ Removing

- Removing airbag unit -5- => Page 99 .
- Centre steering wheel (wheels in straight-ahead position).
- Unscrew steering column switch trim => Fig. 1 .



- Detach connectors -6-.
- Screw out nut -4-.

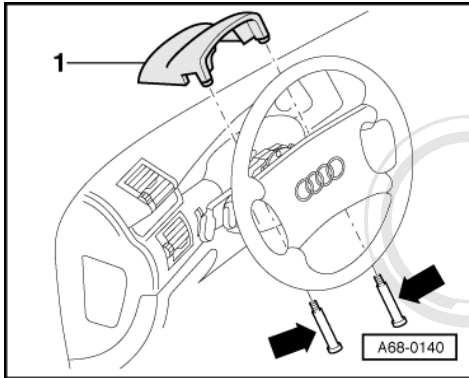
Protected by copyright. Copying for private or commercial purposes, in part or in whole, is not permitted unless authorised by AUDI AG. AUDI AG does not guarantee or accept any liability for the correctness of information in this document. Copyright by AUDI AG.

Important

Do not turn self-cancelling ring with slip ring once it has been removed.

◆ Installing

- Attach steering wheel in centre position (wheels straight ahead).
- Tighten nut -4- to 40 Nm.
- Listen to ensure that connectors -6- engage completely (i.e. audibly).
- Install airbag unit =>Page 101 .



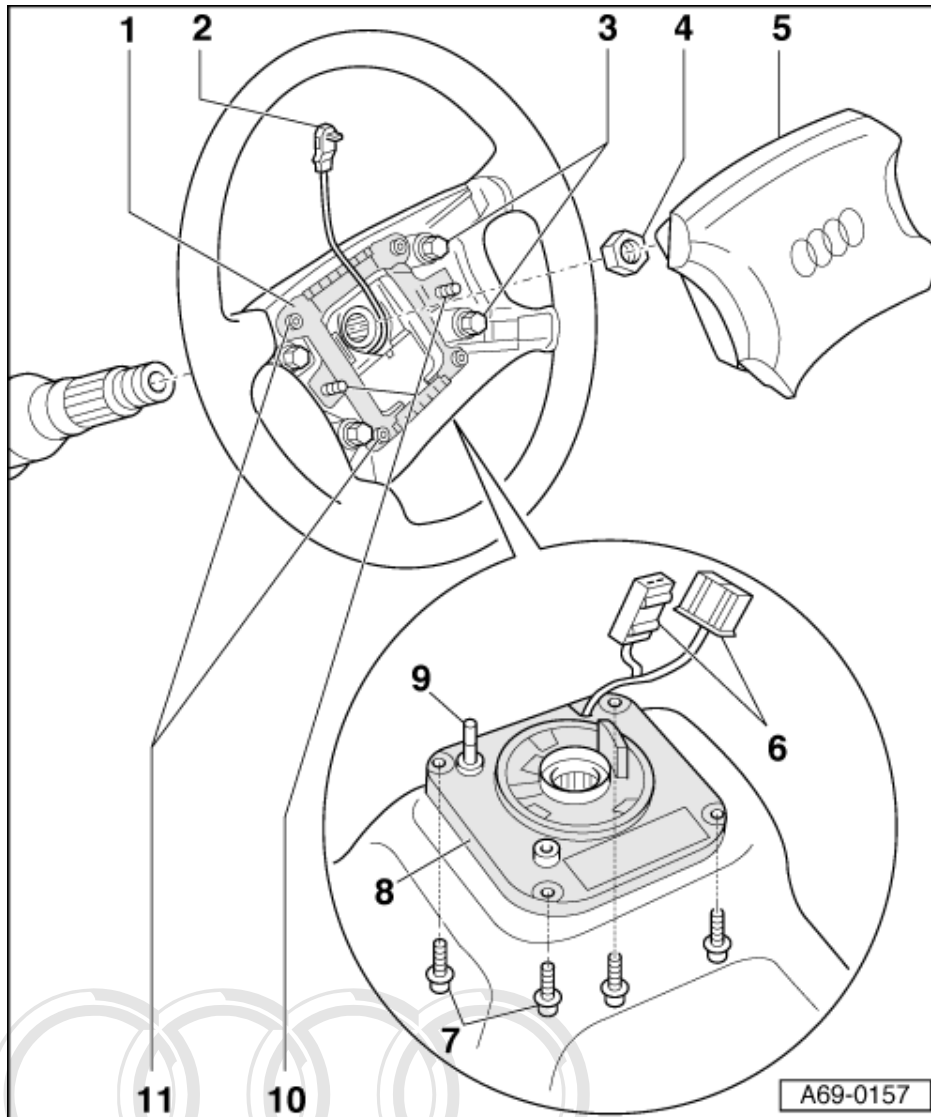
-> Fig.1 Removing and installing steering-column switch trim

- Screw out bolts -arrows- and detach trim -1-.

Protected by copyright. Copying for private or commercial purposes, in part or in whole, is not permitted unless authorised by AUDI AG. AUDI AG does not guarantee or accept any liability with respect to the correctness of information in this document. Copyright by AUDI AG.



### 6.4 - Removing and installing self-cancelling ring with coil connector and slip ring 06.97



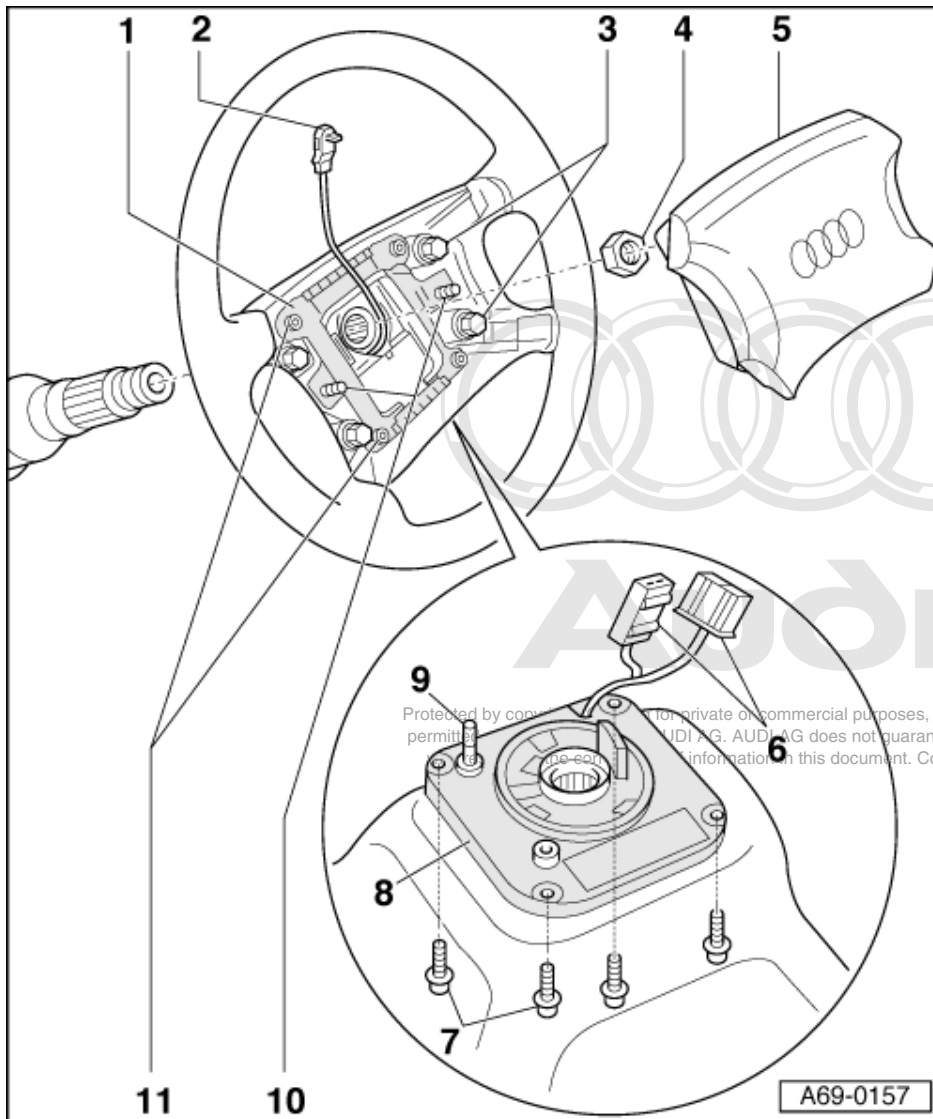
**Important**

- ◆ **Observe safety precautions for working on airbag =>**
- ◆ **Steering wheel and self-cancelling ring with coil connector and slip ring are only to be removed with wheels facing straight ahead.**

- Removing airbag unit -5- => Page 99.

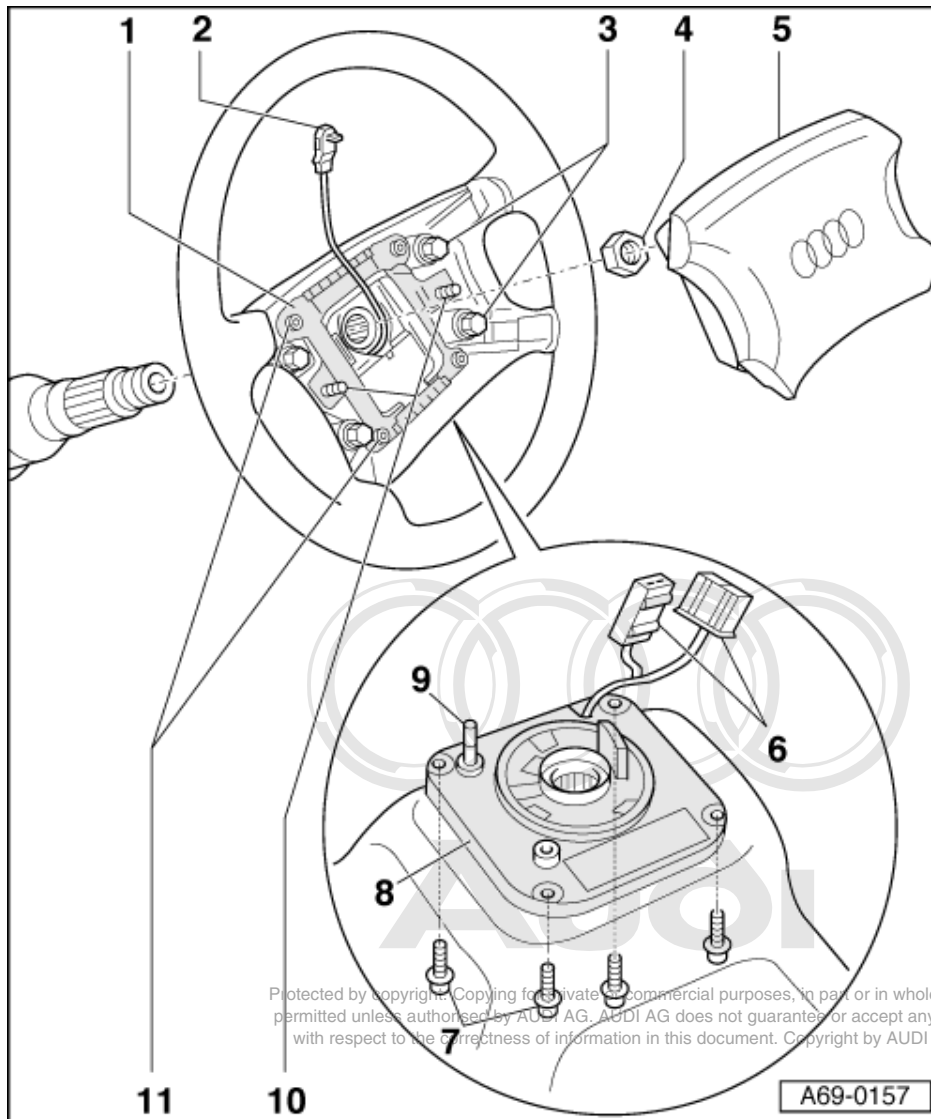
- Removing steering wheel => Page 103.

Protected by copyright. Copying for private or commercial purposes, in part or in whole, is not permitted unless authorised by AUDI AG. AUDI AG does not guarantee or accept any liability with respect to the correctness of information in this document. Copyright by AUDI AG.



Protected by copyright for private or commercial purposes, in part or in whole, is not permitted without the written permission of AUDI AG. AUDI AG does not guarantee or accept any liability for the accuracy of the information in this document. Copyright by AUDI AG.

- Screw out 4 bolts -11- (5 Nm).
- Detach top part -1- of functional unit.
- Detach connectors.
- Screw out 4 bolts -3- (5 Nm).
- Detach bottom part of functional unit.
- Screw out 4 bolts -7- (2.5 Nm).
- Detach self-cancelling ring with coil connector and slip ring -8-.



**Important**

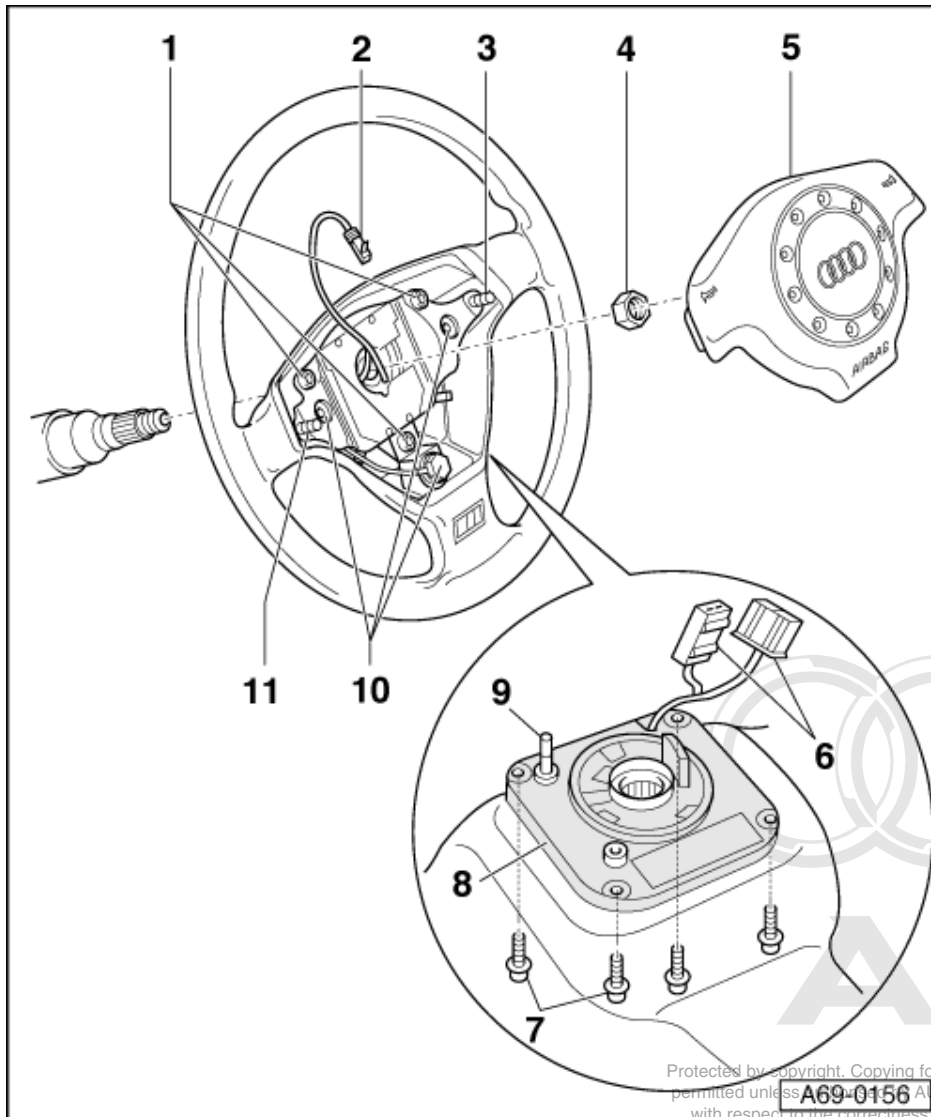
Do not turn self-cancelling ring with slip ring once it has been removed.

- ◆ If self-cancelling ring assembly has been turned, the centre position must be determined prior to installation
- ◆ Starting from centre position it must be possible to give self-cancelling ring assembly roughly 3 1/2 turns to either side

**Note:**

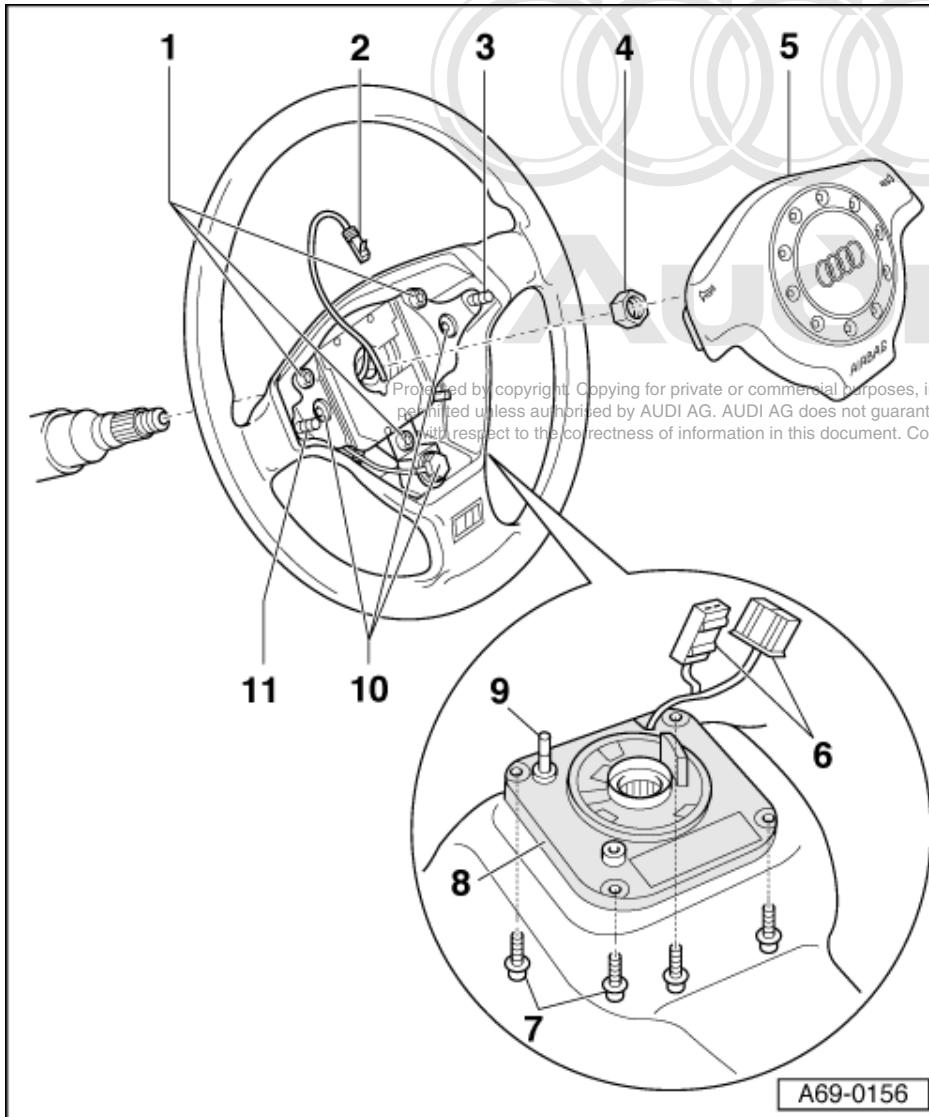
Remove transportation safeguard -9-. on fitting new self-cancelling ring with coil connector and slip ring.

## 6.5 - Removing and installing driver's airbag with sports steering wheelä06.97

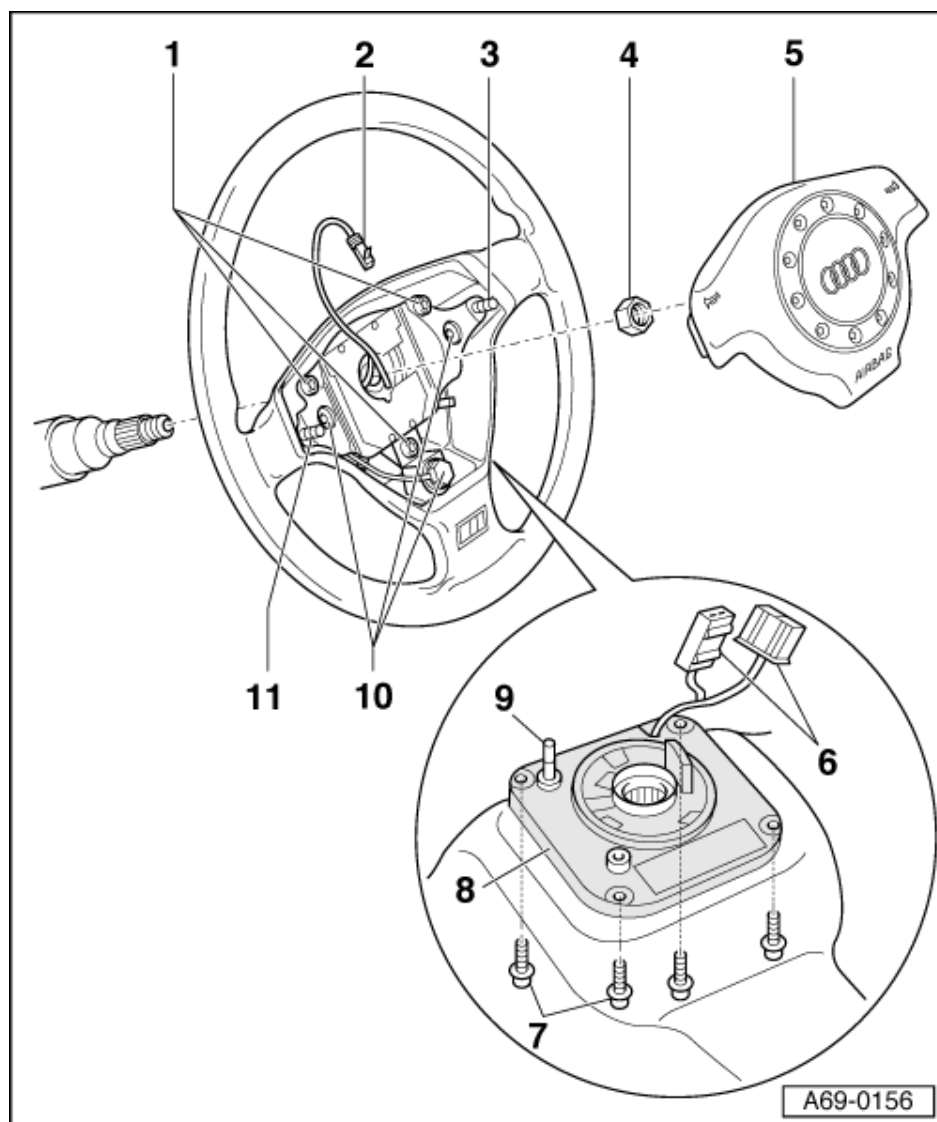


### Important

- ◆ Removing
- Move steering wheel as far as possible into passenger compartment and upwards.
- Refer to coding on vehicles with encoded radio/radio navigation system (RNS); if necessary, interrogate.



- Detach battery earthing strap/cable and cover battery terminal.
- Screw out TORX bolts T30 -3- and -11- on back of steering wheel.
- Carefully fold airbag unit -5- rearwards and unplug connector -2- from airbag unit.
- Put down airbag unit in such a way that padding faces upwards.



◆ **Installation**

- Make sure that the connector -2- engages (i.e. audibly).
- Tighten TORX bolts T30 -3- and -11- to 10 Nm.

**Important**

Ensure that there is no-one in the vehicle when connecting battery earthing strap/cable.

- Switch on ignition and connect battery earthing strap/cable.

**Notes:**

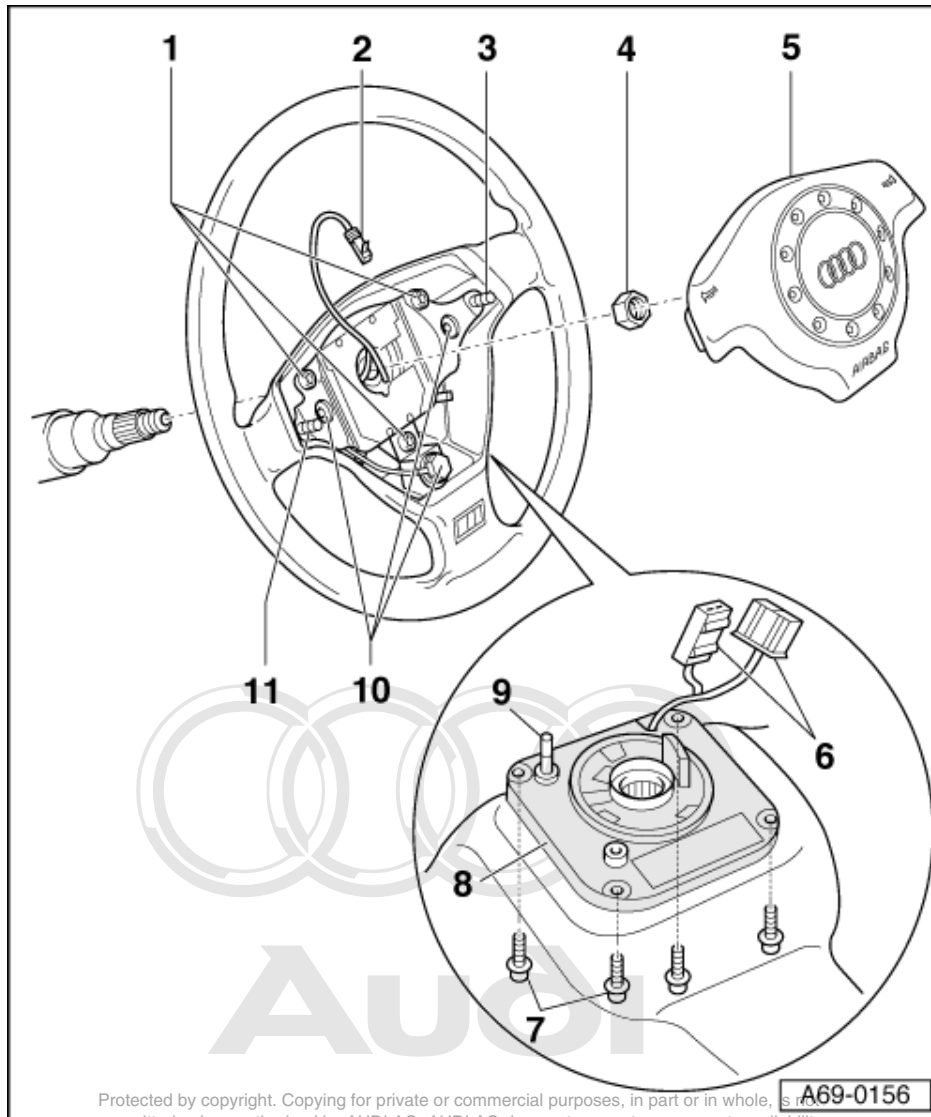
- ◆ After connecting the battery, please ensure that the vehicle accessories (radio, clock, electric window lifters) are checked according to workshop manual and/or operating instructions.

=> Electrical System; Repair group 27; Battery Battery

- ◆ If the fault warning light (K 75) for airbag signals a fault after assembly the fault memory must be erased and again be interrogated by using fault reader V.A.G 1551.

=> Body Self-diagnosis; Repair group 01

## 6.6 - Removing and installing sports steering wheelä06.97



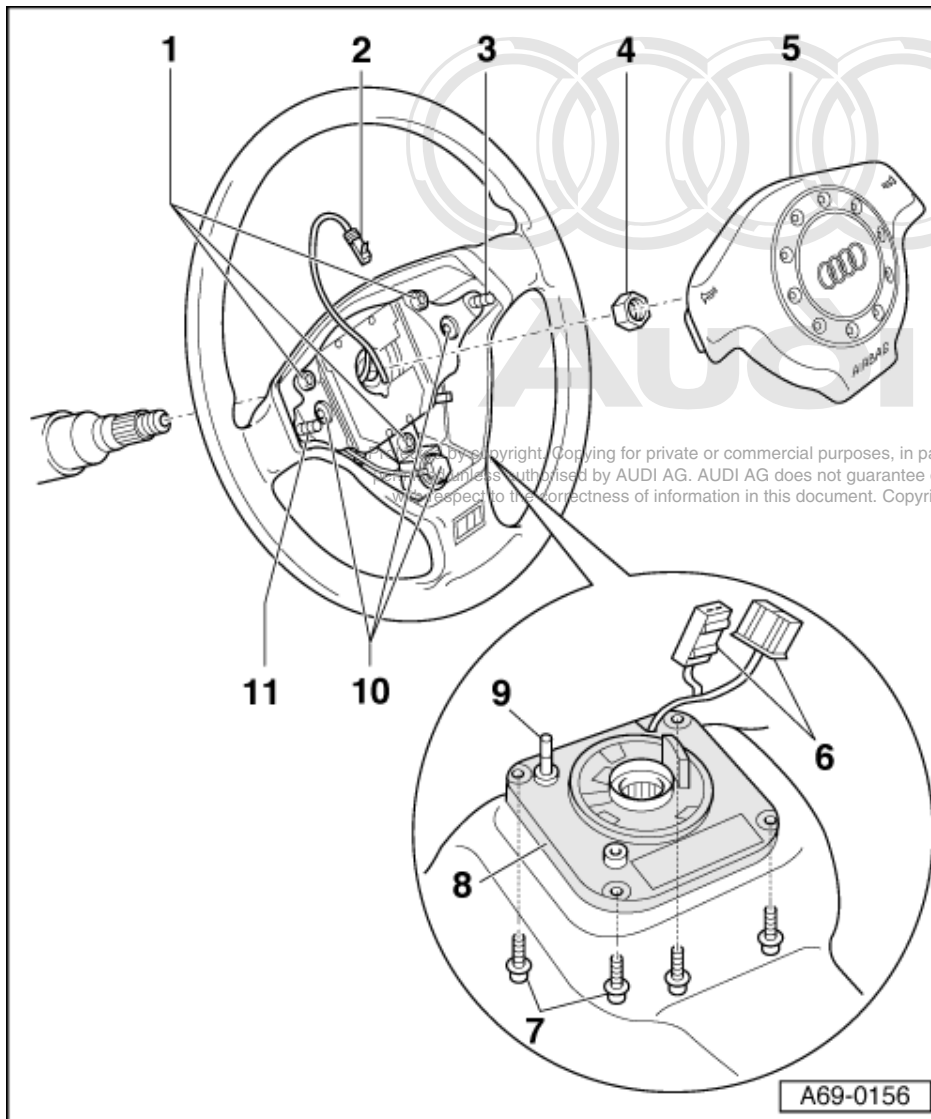
Protected by copyright. Copying for private or commercial purposes, in part or in whole, is not permitted unless authorised by AUDI AG. AUDI AG does not guarantee or accept any liability with respect to the correctness of information in this document. Copyright by AUDI AG.

### Important



#### ◆ Removing

- Removing airbag unit -5- => Page 108.
- Centre steering wheel (wheels in straight-ahead position).
- Unscrew steering column switch trim  
=> Fig. 1.



- Detach connectors -6-.
- Screw out nut -4-.

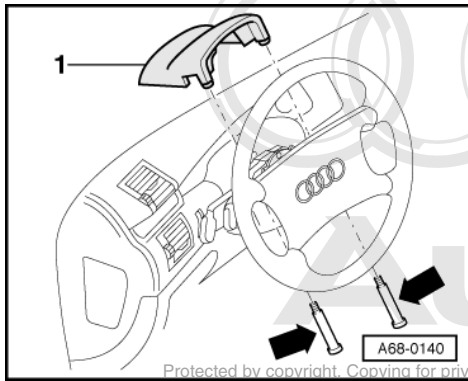
**Important**

Do not turn self-cancelling ring with slip ring once it has been removed.

◆ **Installing**

- Attach steering wheel in centre position (wheels straight ahead).
- Listen to ensure that connectors -6- engage completely (i.e. audibly).
- Tighten nut -4- to 40 Nm.
- Install airbag unit =>Page 110 .



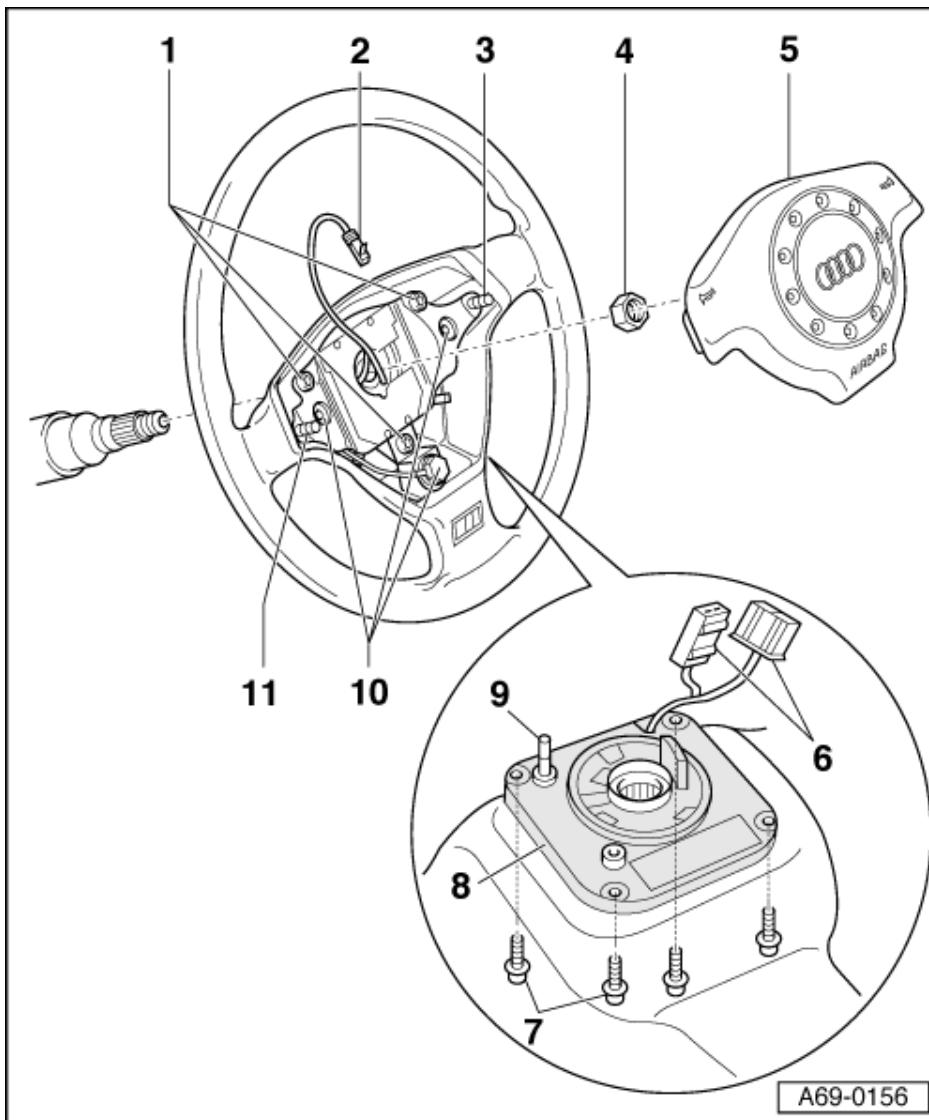


Protected by copyright. Copying for private or commercial purposes, in part or in whole, is not permitted unless authorised by AUDI AG. AUDI AG does not guarantee or accept any liability with respect to the correctness of information in this document. Copyright by AUDI AG.

-> Fig.1 Removing and installing steering-column switch trim

- Screw out bolts -arrows- and detach trim -1-.

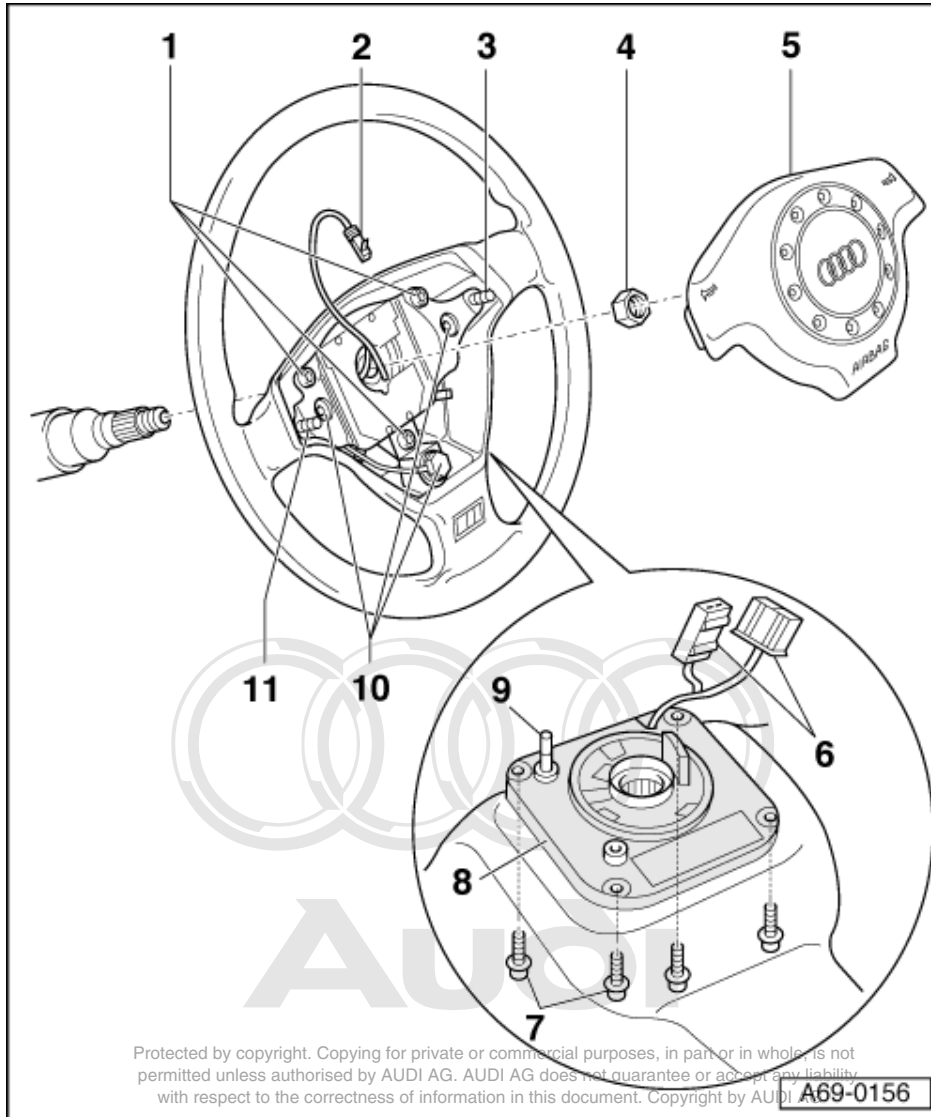
### 6.7 - Removing and installing self-cancelling ring with coil connector and slip ring with sports steering wheelä06.97



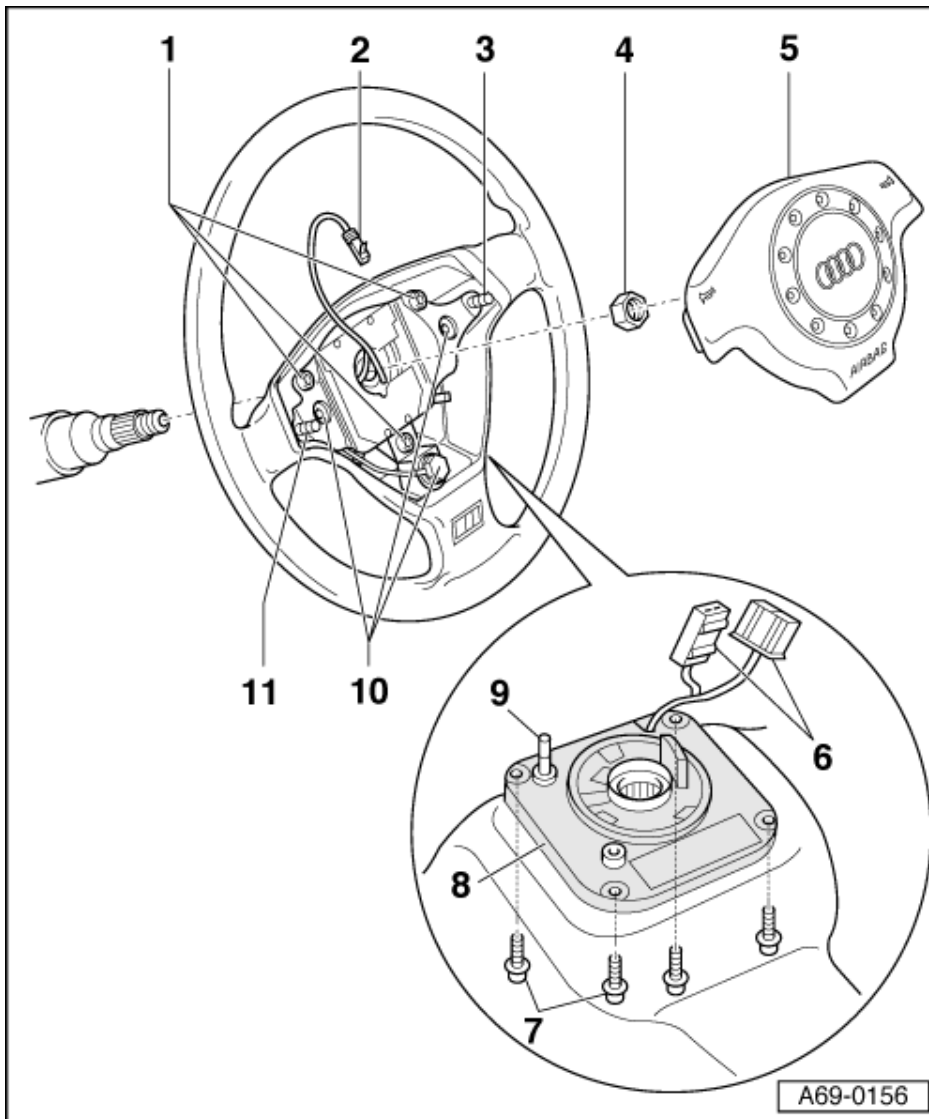
**Important**

- ◆ **Observe safety precautions for working on airbag =>**
- ◆ **Steering wheel and self-cancelling ring with coil connector and slip ring are only to be removed with wheels facing straight ahead.**

- Removing airbag unit -5- => Page **108** .
- Removing steering wheel =>Page **111** .



- Screw out 3 bolts -1- (5 Nm).
- Detach top part of functional unit.
- Detach connectors.
- Screw out the bolts -10- (7 Nm).
- Detach bottom part of functional unit.
- Screw out 4 bolts -7- (2.5 Nm).
- Detach self-cancelling ring with coil connector and slip ring -8-.



**Important**

Do not turn self-cancelling ring with slip ring once it has been removed.

- ◆ If self-cancelling ring assembly has been turned, the centre position must be determined prior to installation.
- ◆ Starting from centre position it must be possible to give self-cancelling ring with coil connector and slip ring roughly 3 1/2 turns to either side.

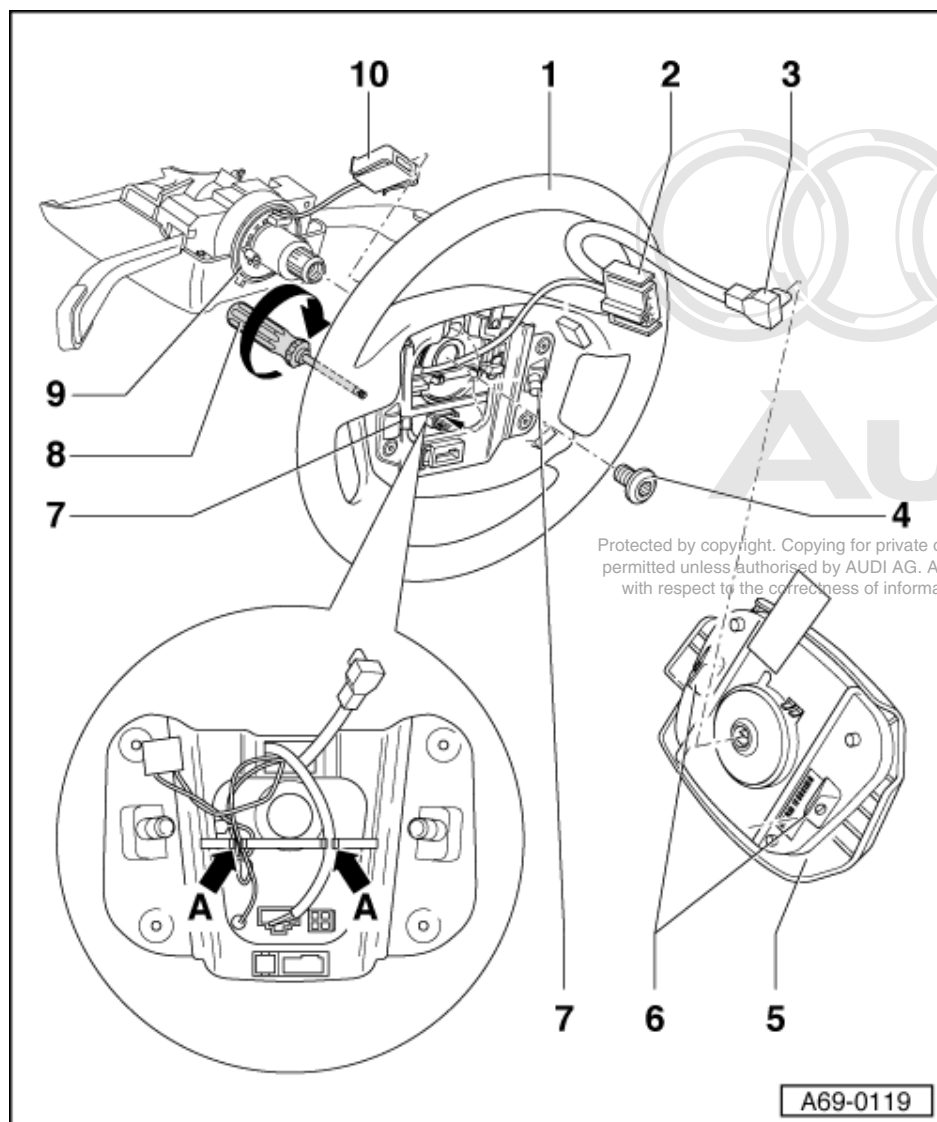
**Note:**

Remove transportation safeguard -9-. on fitting new self-cancelling ring with coil connector and slip ring.



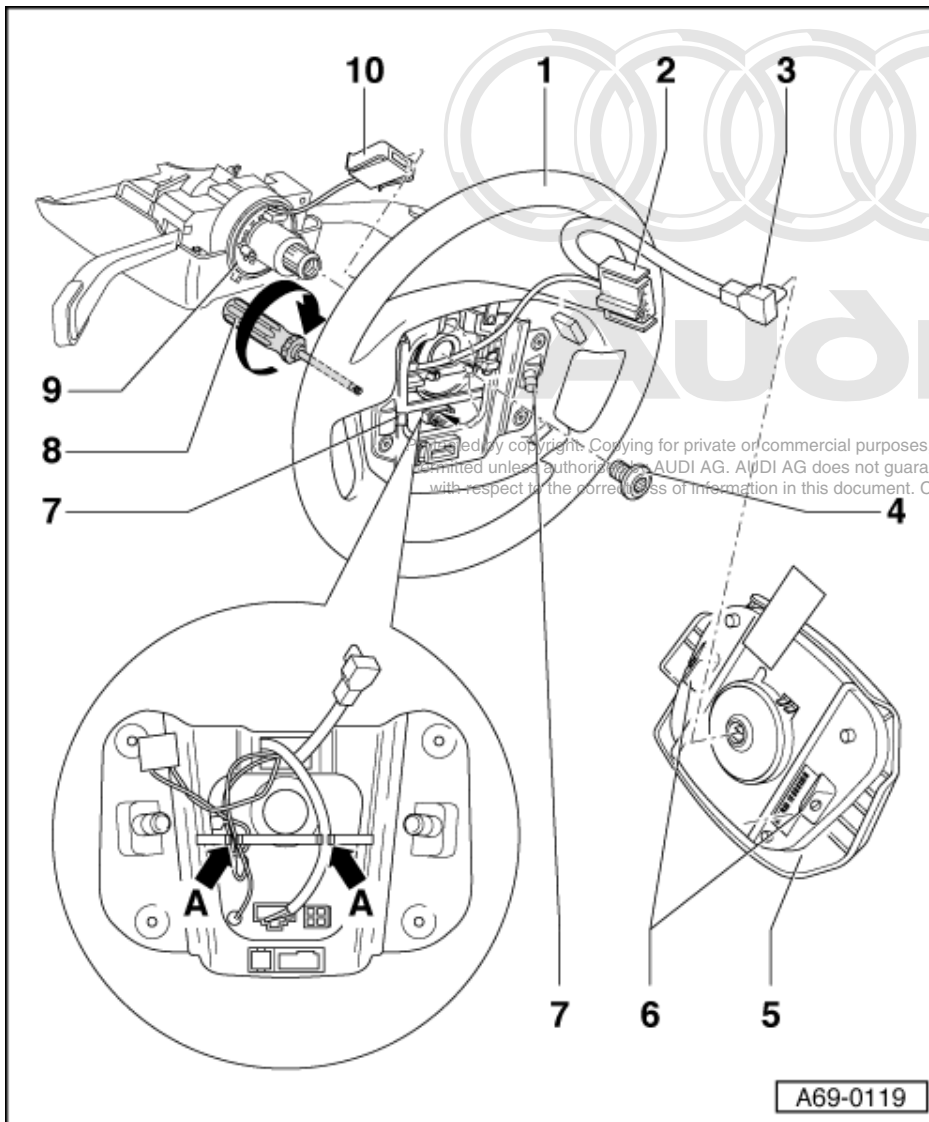
Protected by copyright. Copying for private or commercial purposes, in part or in whole, is not permitted unless authorised by AUDI AG. AUDI AG does not guarantee or accept any liability with respect to the correctness of information in this document. Copyright by AUDI AG.

### 6.8 - Removing and installing driver's airbag unit 07.97ä



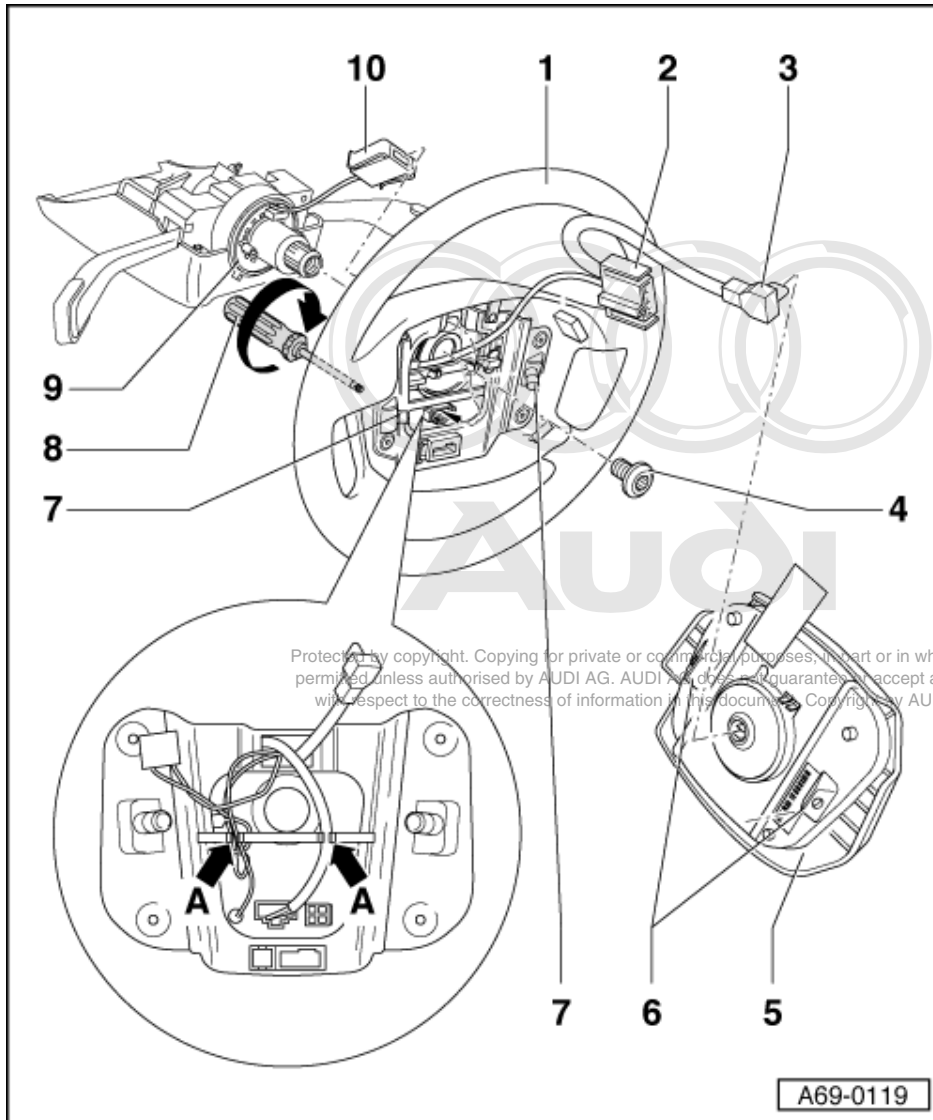
#### Important

- ◆ Removing
- Move steering wheel as far as possible into passenger compartment and upwards.
- Refer to coding on vehicles with encoded radio/radio navigation system (RNS); if necessary, interrogate.



Copyrighted by Audi AG. Copying for private or commercial purposes, in part or in whole, is not permitted unless authorized by Audi AG. Audi AG does not guarantee or accept any liability with respect to the correctness of information in this document. Copyright by Audi AG.

- Detach battery earthing strap/cable and cover battery terminal.
- Use TORX wrench -8- to screw out TORX bolts T30 -7- on left and right on back of steering wheel => Fig. 1.
- Carefully fold airbag unit -5- rearwards and unplug connector -3- from airbag unit.
- Put down airbag unit in such a way that padding faces upwards.



◆ **Installation**

- Make sure that the connector -3- engages (i.e. audibly).
- Screw TORX bolts T30 -7- into threaded sockets -6- of airbag on left and right.
- Tighten bolts to 10 Nm.

**Important**  
 Ensure that there is no-one in the vehicle when connecting battery earthing strap/cable.

- Switch on ignition and connect battery earthing strap/cable.

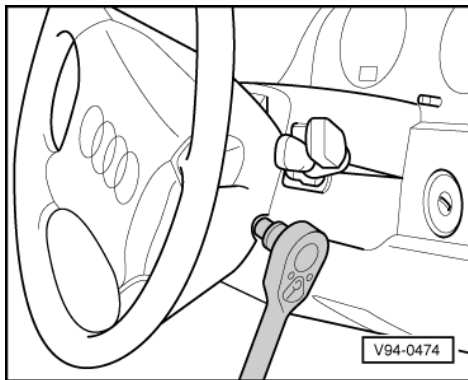
**Notes:**

- ◆ After connecting the battery, please ensure that the vehicle accessories (radio, clock, electric window lifters) are checked according to workshop manual and/or operating instructions.

=> Electrical System; Repair group 27; Battery Battery

- ◆ If the fault warning light (K 75) for airbag signals a fault after assembly the fault memory must be erased and again be interrogated by using fault reader V.A.G 1551.

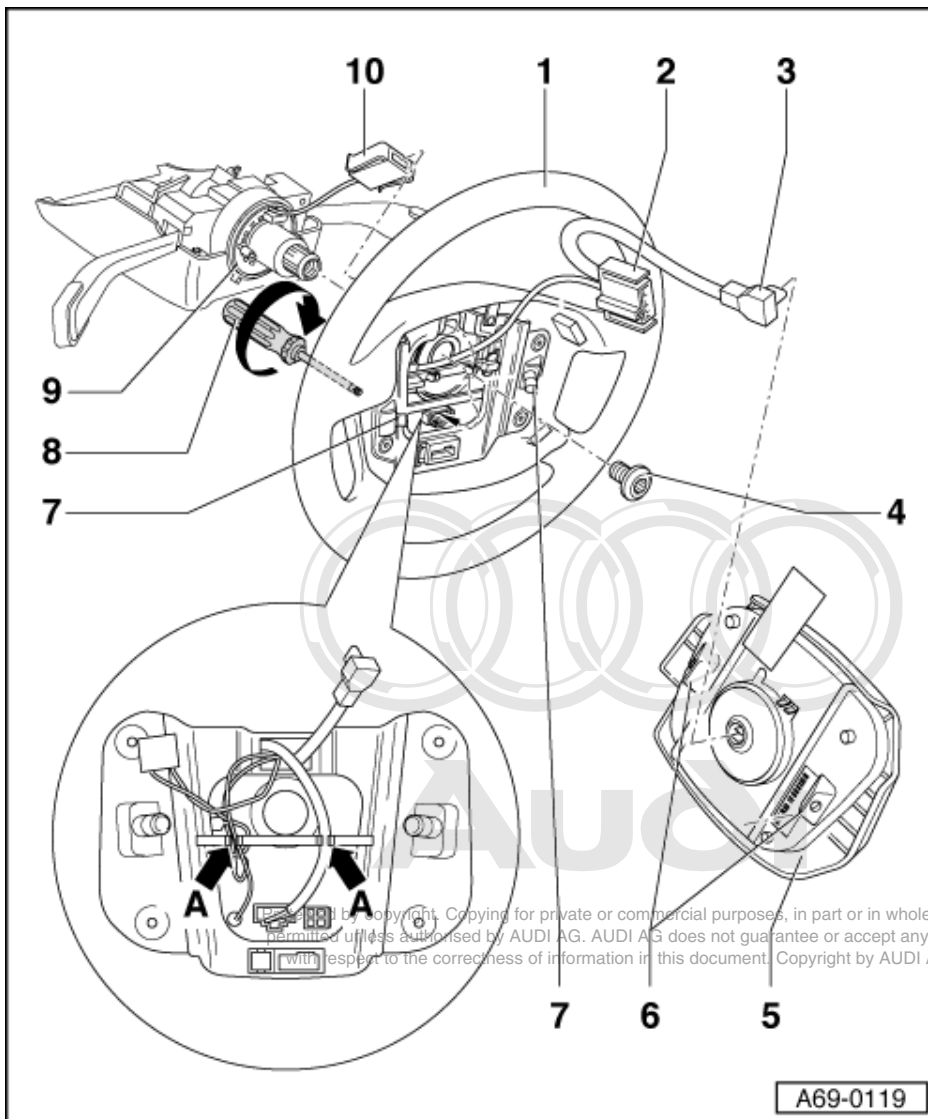
=> Body Self-diagnosis; Repair group 01



-> Fig.1 Unscrewing airbag unit

- Use TORX insert T30 to unscrew airbag unit from back of steering wheel on left and right.

### 6.9 - Removing and installing steering wheel 07.97ä

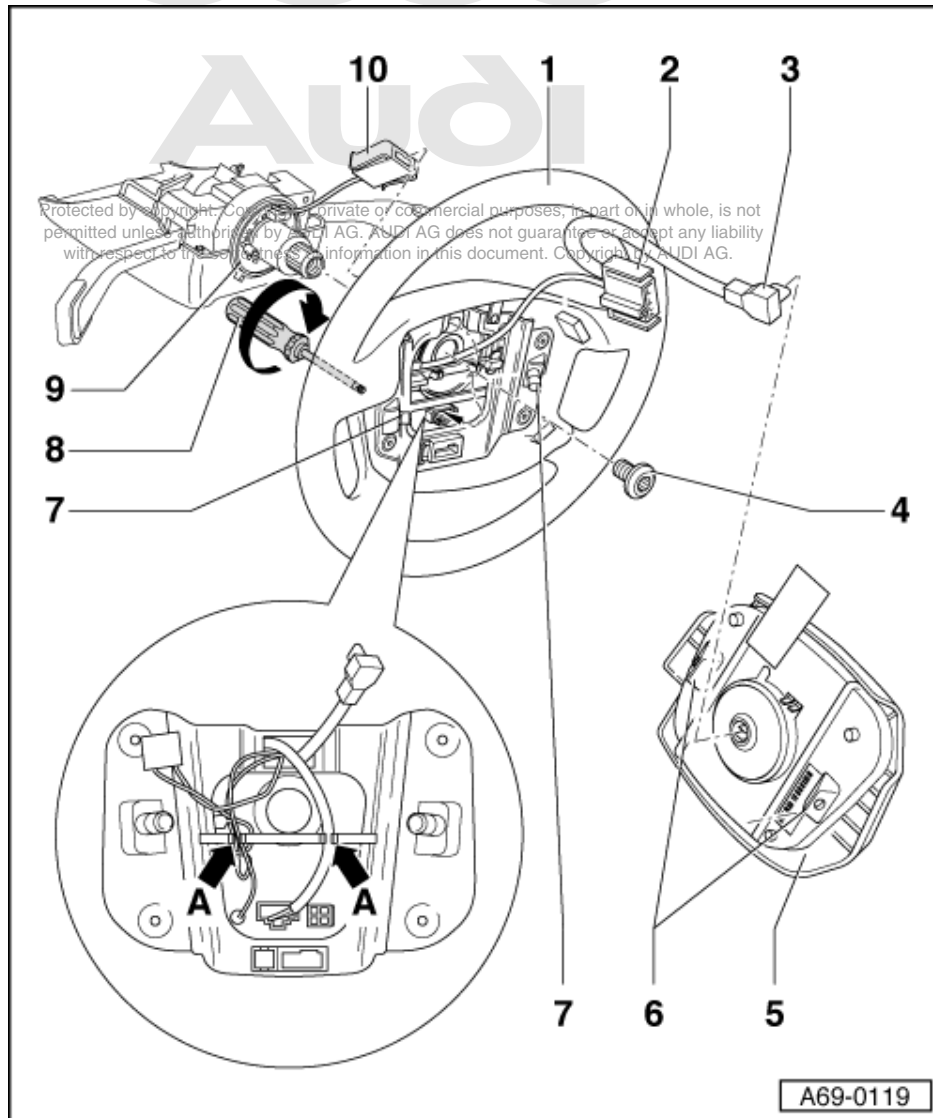


Important

- ◆ Observe safety precautions for working on airbag =>
- ◆ The wheels must be in the straight-ahead position when removing steering wheel.

◆ Removing

- Removing airbag unit -5- => Page 116 .
- Centre steering wheel (wheels in straight-ahead position).
- Detach connectors -2- and -10- for self-cancelling ring with coil connector and slip ring -9-.



- Screw out multi-point socket head -4-.

Important

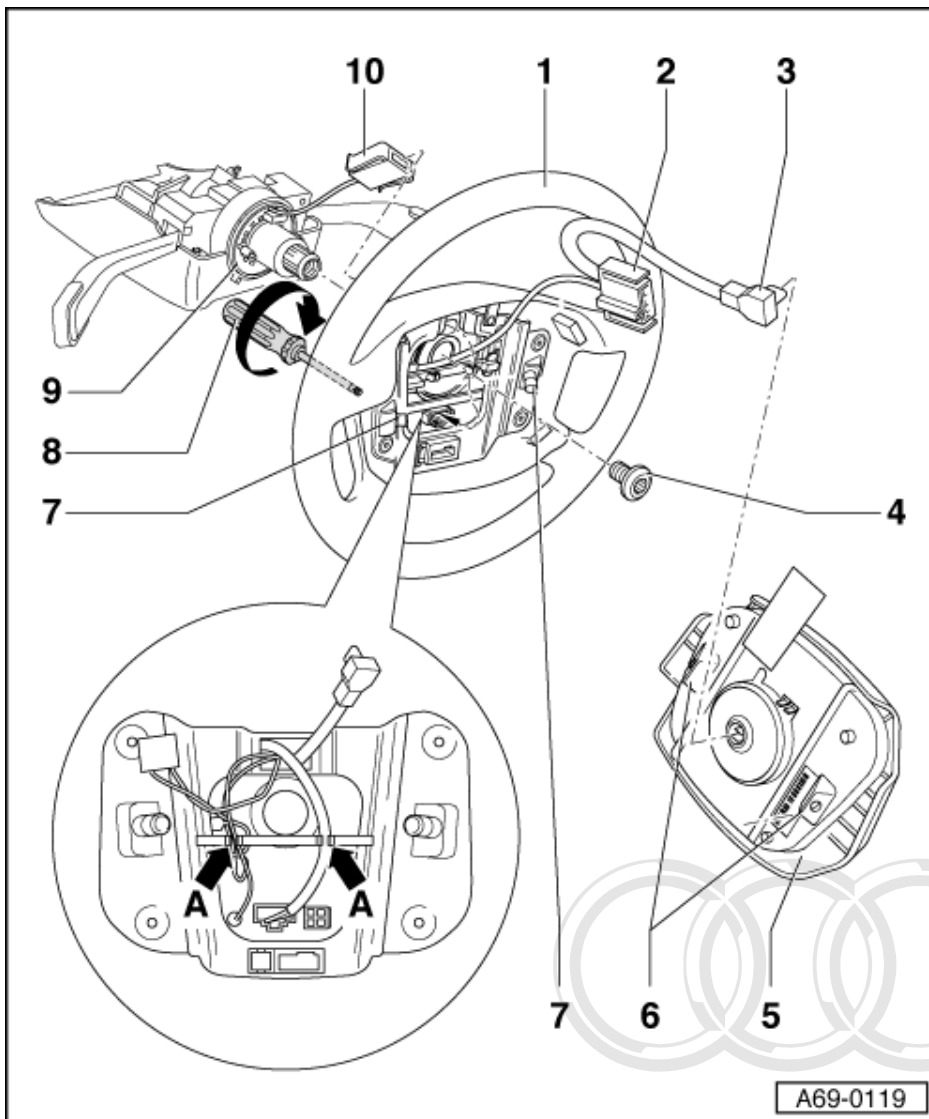
Do not turn self-cancelling ring with slip ring once it has been removed.

◆ Installing

- Attach steering wheel in centre position (wheels straight ahead).
- Replace multi-point socket head bolt -4-.



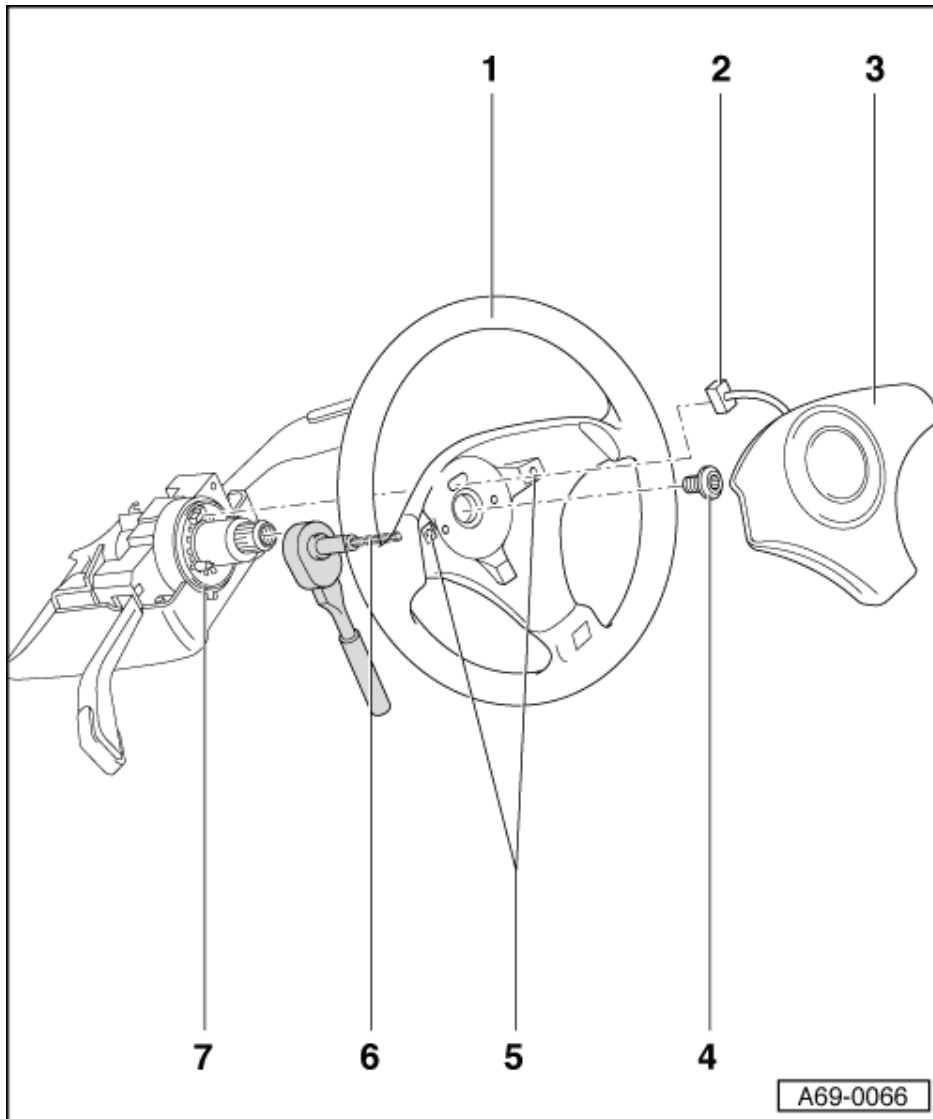
- Tighten multi-point socket head bolt to 60 Nm.



- Listen to ensure that connectors -2- and -10- engage completely (i.e. audibly).
- Attach loose wires at locations indicated by -arrow A-.
- Install airbag unit =>Page 118 .

Protected by copyright. Copying for private or commercial purposes, in part or in whole, is not permitted unless authorised by AUDI AG. AUDI AG does not guarantee or accept any liability with respect to the correctness of information in this document. Copyright by AUDI AG.

## 6.10 - Removing and installing driver's airbag with sports steering wheel 07.97ä

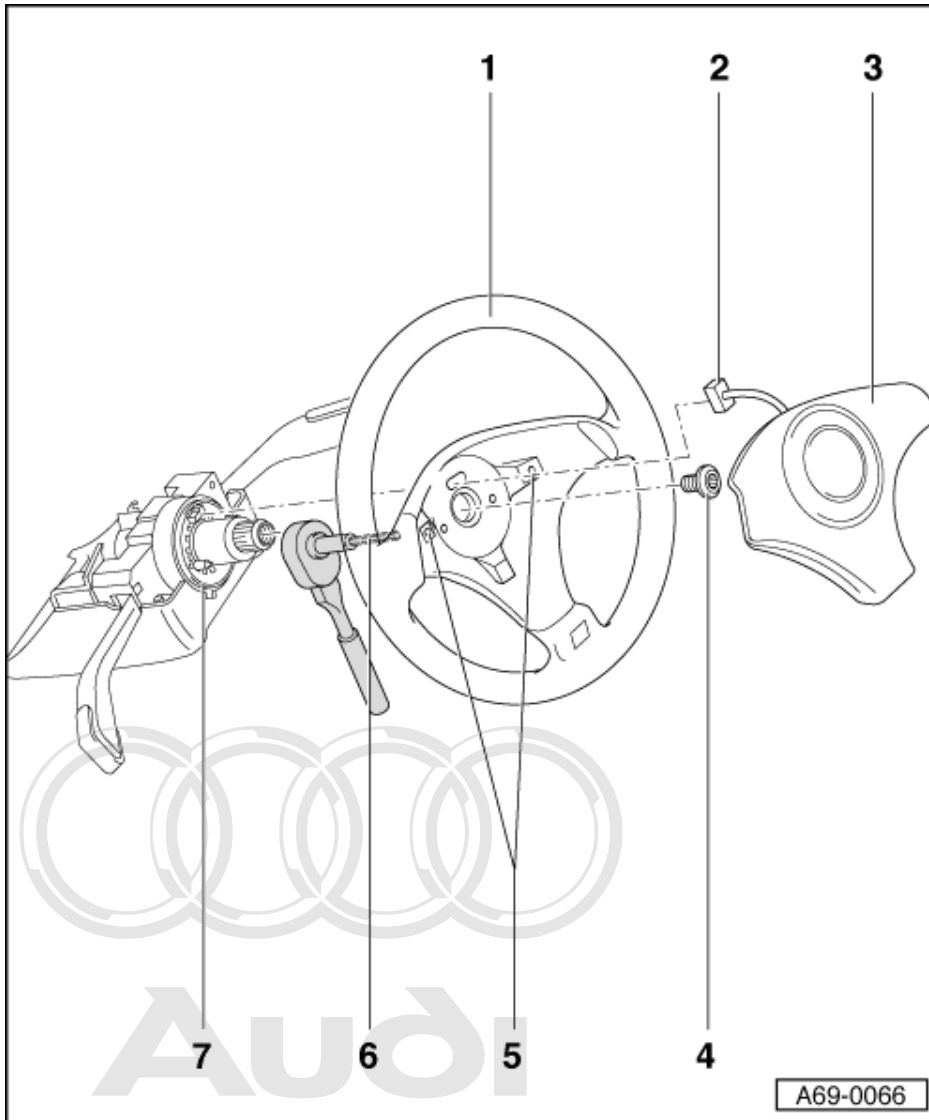


### Important

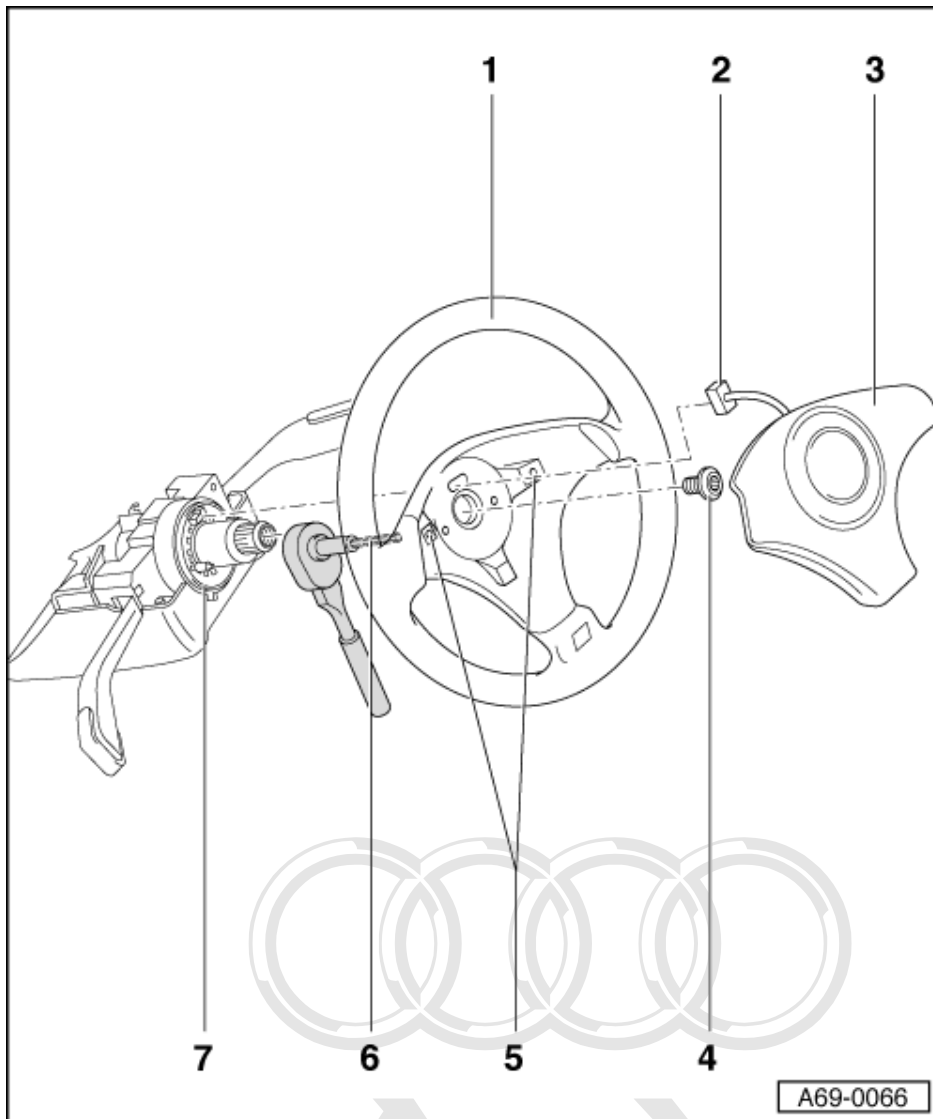
- ◆ Removing
- Move steering wheel as far as possible into passenger compartment and upwards.
- Refer to coding on vehicles with encoded radio/radio navigation system (RNS); if necessary, interrogate.

  
**Audi**

Protected by copyright. Copying for private or commercial purposes, in part or in whole, is not permitted unless authorised by AUDI AG. AUDI AG does not guarantee or accept any liability with respect to the correctness of information in this document. Copyright by AUDI AG.



- Detach battery earthing strap/cable and cover battery terminal.
- Use TORX wrench -6- to screw out TORX bolts T30 -5- on back of steering wheel.
  - Carefully fold airbag unit -3- rearwards and unplug connector -2- from airbag unit.
  - Put down airbag unit in such a way that padding faces upwards.



◆ Installation

- Make sure that the connector -2- engages (i.e. audibly).
- Tighten TORX bolts T30 -5- to 10 Nm.

Protected by copyright. Copying for private or commercial purposes, in part or in whole, is not permitted unless authorised by AUDI AG. AUDI AG does not guarantee or accept any liability with respect to the correctness of information in this document. Copyright by AUDI AG.

**Important**

Ensure that there is no-one in the vehicle when connecting battery earthing strap/cable.

- Switch on ignition and connect battery earthing strap/cable.

**Notes:**

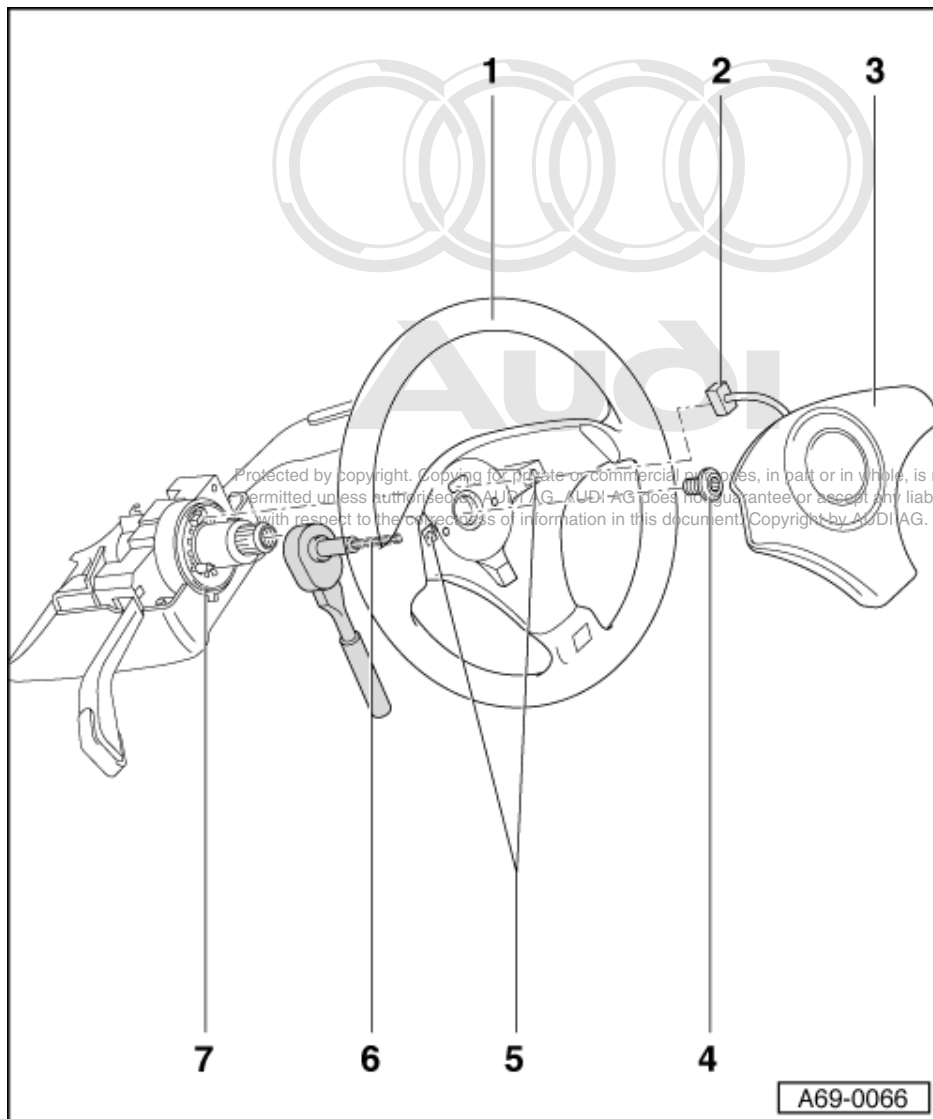
- ◆ After connecting the battery, please ensure that the vehicle accessories (radio, clock, electric window lifters) are checked according to workshop manual and/or operating instructions.

=> Electrical System; Repair group 27; Battery Battery

- ◆ If the fault warning light (K 75) for airbag signals a fault after assembly the fault memory must be erased and again be interrogated by using fault reader V.A.G 1551.

=> Body Self-diagnosis; Repair group 01

## 6.11 - Removing and installing steering wheel 07.97ä

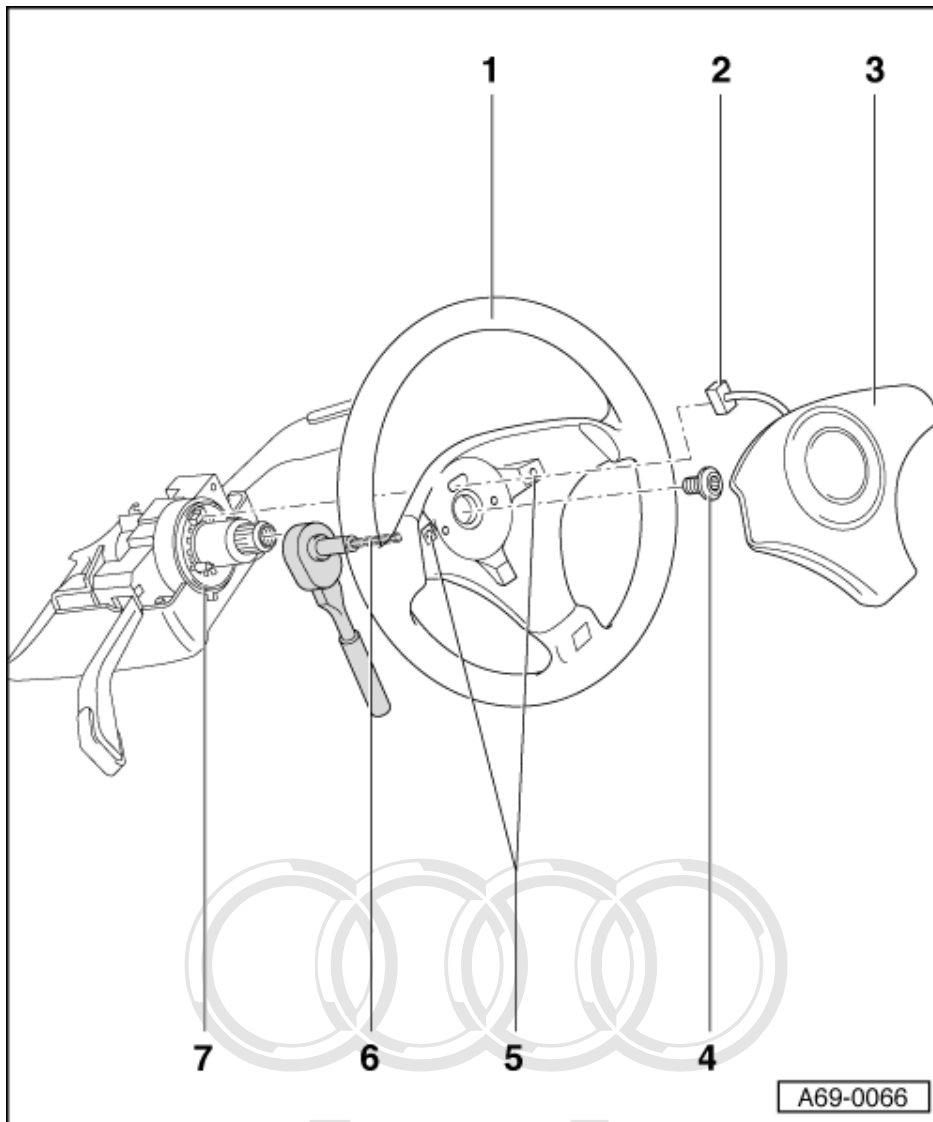


### Important

- ◆ Observe safety precautions for working on airbag =>
- ◆ The wheels must be in the straight-ahead position when removing steering wheel.

### ◆ Removing

- Removing airbag unit -3- => Page 122.
- Centre steering wheel (wheels in straight-ahead position).
- Screw out multi-point socket head bolt -4-.



**Important**

Do not turn self-cancelling ring with slip ring once it has been removed.

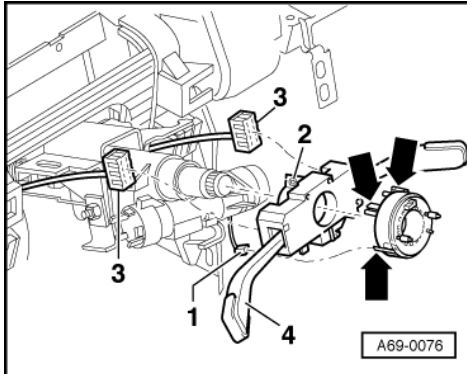
- ◆ **Installing** Protected by copyright. Copying for private or commercial purposes, in part or in whole, is not permitted unless authorised by AUDI AG. AUDI AG does not guarantee or accept any liability with respect to the correctness of information in this document. Copyright by AUDI AG.
- Attach steering wheel in centre position (wheels straight ahead).
- Replace multi-point socket head bolt -4-.
- Tighten multi-point socket head bolt to 60 Nm.
- Install airbag unit =>Page 124 .

## 6.12 - Removing and installing self-cancelling ring with coil connector and slip ring07.97ä

**Important**

- ◆ **Observe safety precautions for working on airbag =>**
- ◆ **Steering wheel and self-cancelling ring with coil connector and slip ring are only to be removed with wheels facing straight ahead.**

- Removing airbag unit => Page 122 .
- Remove steering wheel => Page 125 .
- Detach steering-column switch trim => Page 9 .



- -> Detach connector -1-.
- Release hooks -arrows- and detach self-cancelling ring with coil connector and slip ring from steering-column switch.

**Important**

Do not turn self-cancelling ring with slip ring once it has been removed.

**Note:**

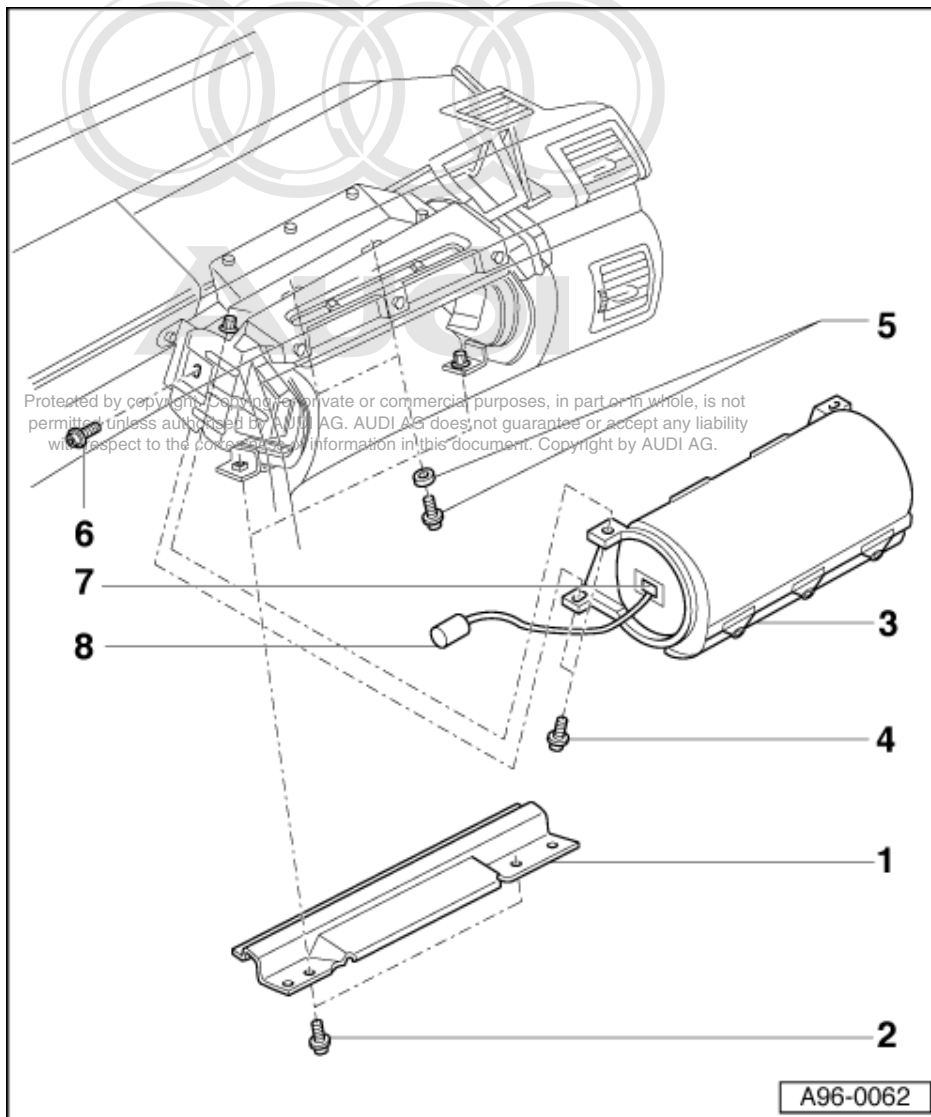
*Self cancelling ring with coil connector and slip ring is secured as a new part in the centre position with a cable tie.*

### 6.13 - Service installation of airbag sports steering wheel

- ◆ For vehicles as from model year 1995 fitted with airbag as standard, the conversion to airbag sports steering wheel can be performed by an Audi workshop.
- ◆ The airbag sports steering wheel, airbag unit and the appropriate vehicle-type sticker are required.
- ◆ The label with the expiry date must be detached from the new airbag unit and affixed in place of the old label, on lower driver's side B-pillar.
- ◆ In the case of vehicles with no sticker on B-pillar the airbag change must be recorded in the service schedule.
- ◆ Vehicles which are converted to airbag sports steering wheel must be submitted for TÜV (German Technical Supervision Authority) inspection. Proof (invoice) must be provided that the conversion was carried out in an Audi workshop. Furthermore, the TÜV inspectorate must complete a certificate confirming that this steering wheel complies with the general type approval.

## 7 - Repairing passenger airbag

### 7.1 - Repairing passenger airbag



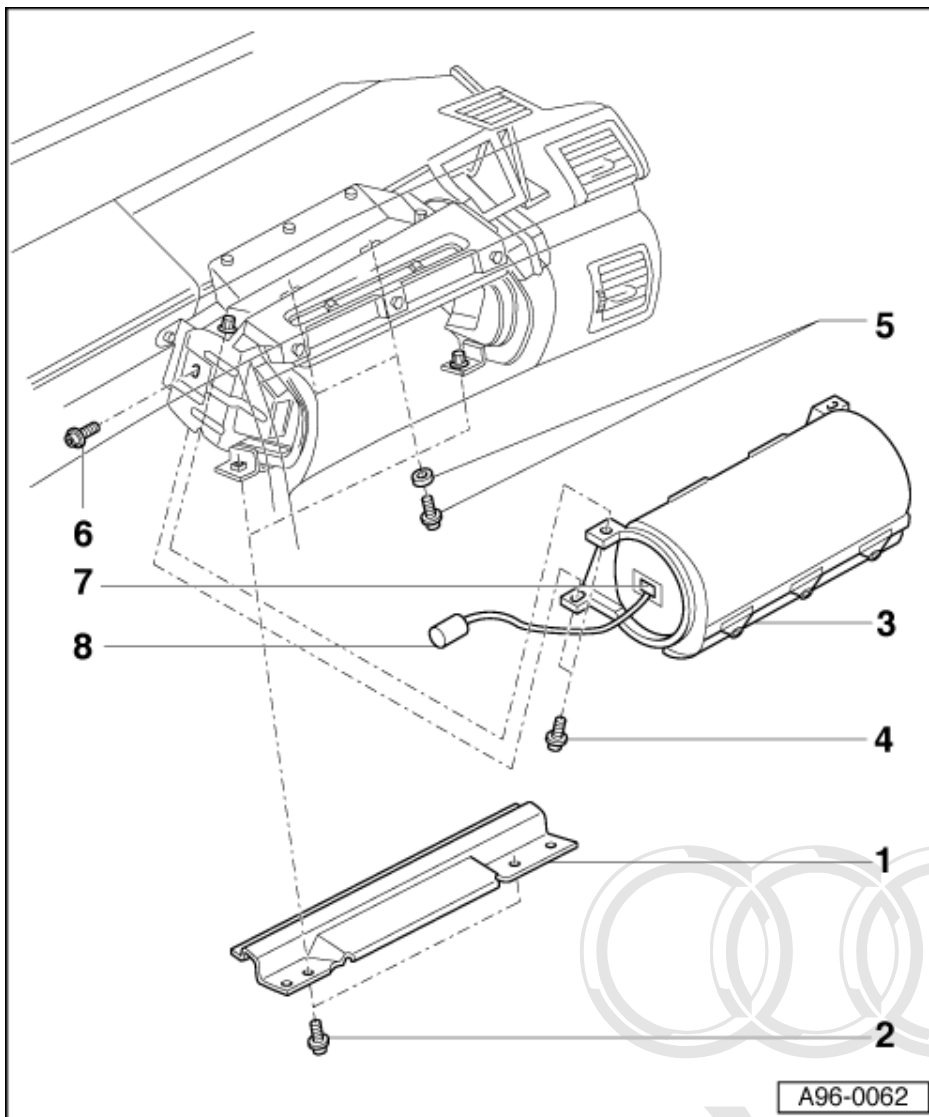
### 7.2 - Removing and installing passenger airbag unit > 06.96

#### Important

- 1 Airbag guide
- 2 Bolt - 5 Nm
  - ◆ 2 off
- 3 Passenger's airbag unit
  - ◆ Removing and installing  
=>Page 129
- 4 Bolt -9 Nm



- ◆ 4 off



**5 Bolt with washer - 5 Nm**

- ◆ For retaining frame
- ◆ 2 off
- ◆ Replace retaining frame after triggering of passenger's airbag

**6 Bolt - 9 Nm**

- ◆ For retaining frame
- ◆ 4 off
- ◆ Replace retaining frame after triggering of passenger's airbag

**7 Red connector**

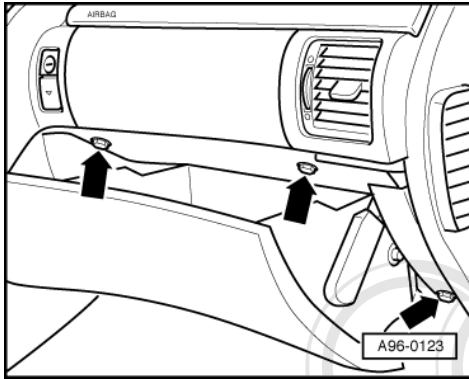
- ◆ Must not be disconnected from airbag unit -Item **3** -
- ◆ If connector has been detached airbag unit is defective and must be replaced

**8 Orange connector**

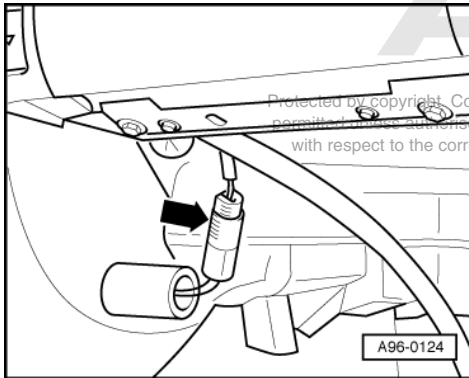
- ◆ Installation position: Top left in dash panel opening for glove compartment

**Removing**

- Refer to coding on vehicles with encoded radio/radio navigation system (RNS); if necessary, interrogate.
- Detach battery earthing strap/cable and cover negative terminal.
- Open glove box.



- -> Unscrew glove compartment frame -arrows-.
- Pull glove compartment frame backwards out of guides.
- Detach connector for glove compartment light; leave Bowden cable of lock connected.
- Lay aside glove compartment in passenger's footwell.
- Unscrew airbag guide.
- Screw out the 4 airbag unit bolts.



- -> Release -arrow- and detach orange connector (with foam sheath).
- Remove airbag unit downwards and lay down with cushioned side facing upwards.

### Installing

Installation is carried out in the reverse order; note the following:

- Switch the ignition on.

#### Important

There must be no-one in the vehicle when the battery is being connected.

- Connect battery.

#### Notes:

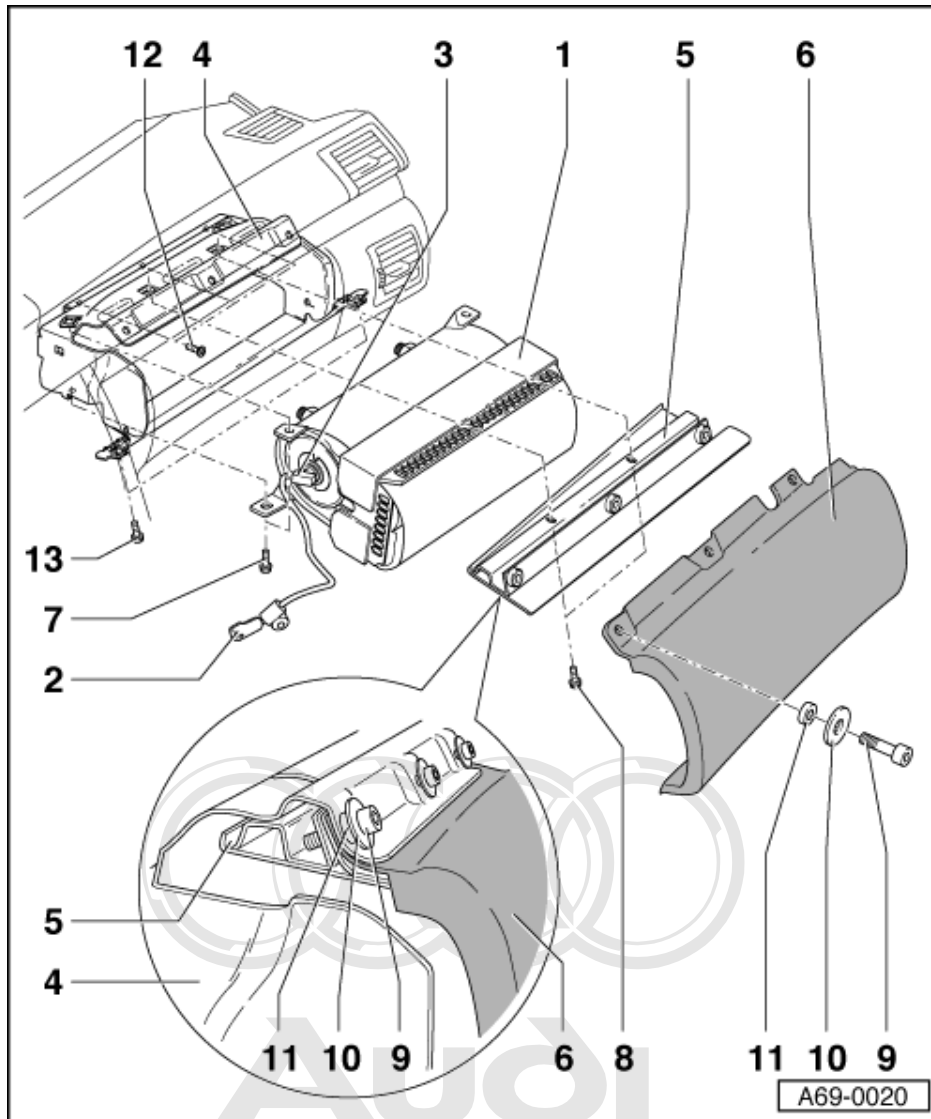
- ◆ After connecting the battery, please ensure that the vehicle accessories (radio, clock, electric window lifters) are checked according to workshop manual and/or operating instructions.

=> Electrical System; Repair group 27; Battery Battery

- ◆ If the fault warning light (K 75) for airbag signals a fault after assembly the fault memory must be erased and again be interrogated by using fault reader V.A.G 1551.

=> Body Self-diagnosis; Repair group 01

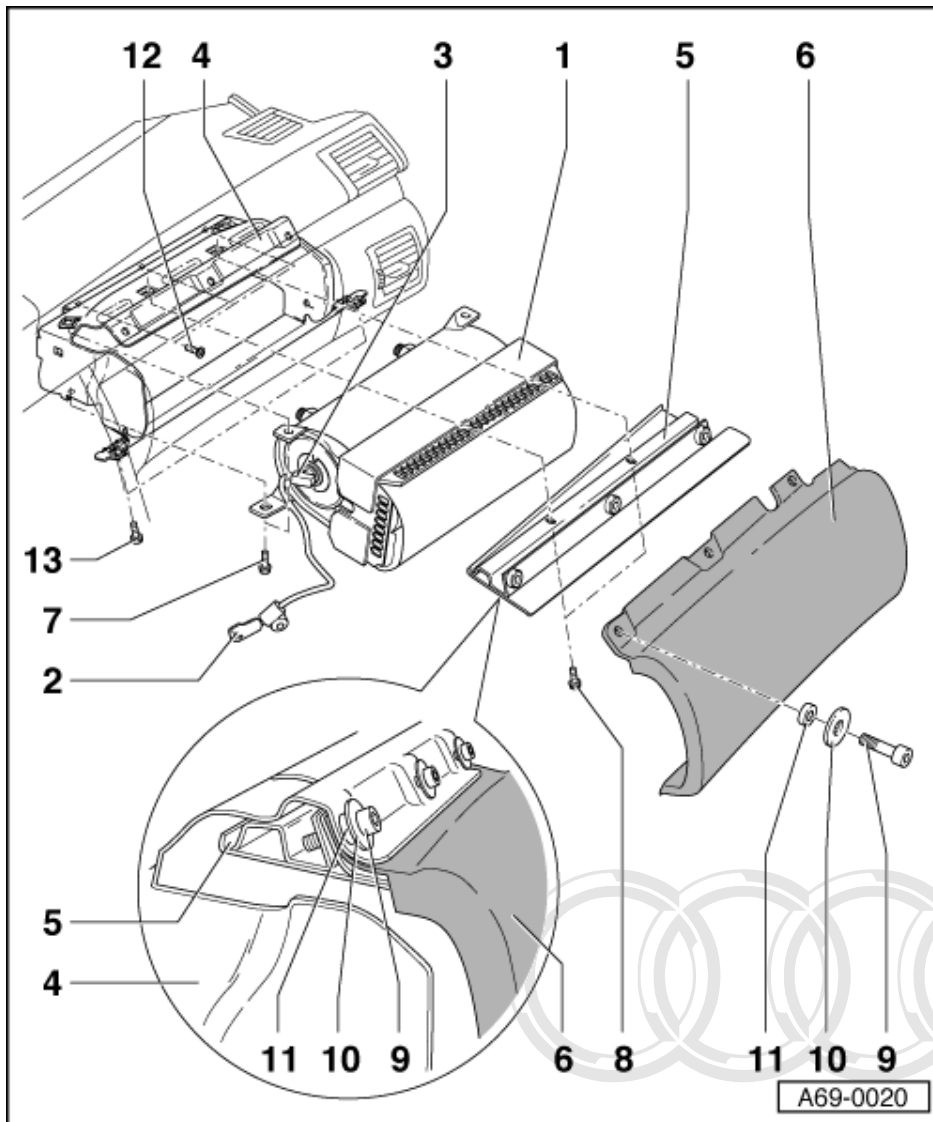
### 7.3 - Removing and installing passenger airbag unit 07.96 ä



**Important** Protected by copyright. Copying for private or commercial purposes, in part or in whole, is not permitted unless authorised by AUDI AG. AUDI AG does not guarantee or accept any liability with respect to the correctness of information in this document. Copyright by AUDI AG.

#### 1 Passenger's airbag unit

- ◆ Removing:
  - In vehicles with encoded radio/radio-navigation system (RNS) Refer to code; if necessary, establish.
  - Detach battery earthing strap/cable, cover over negative terminal.
  - Open glove compartment.
  - Unscrew glove compartment frame.
  - Pull glove compartment frame backwards out of guides.

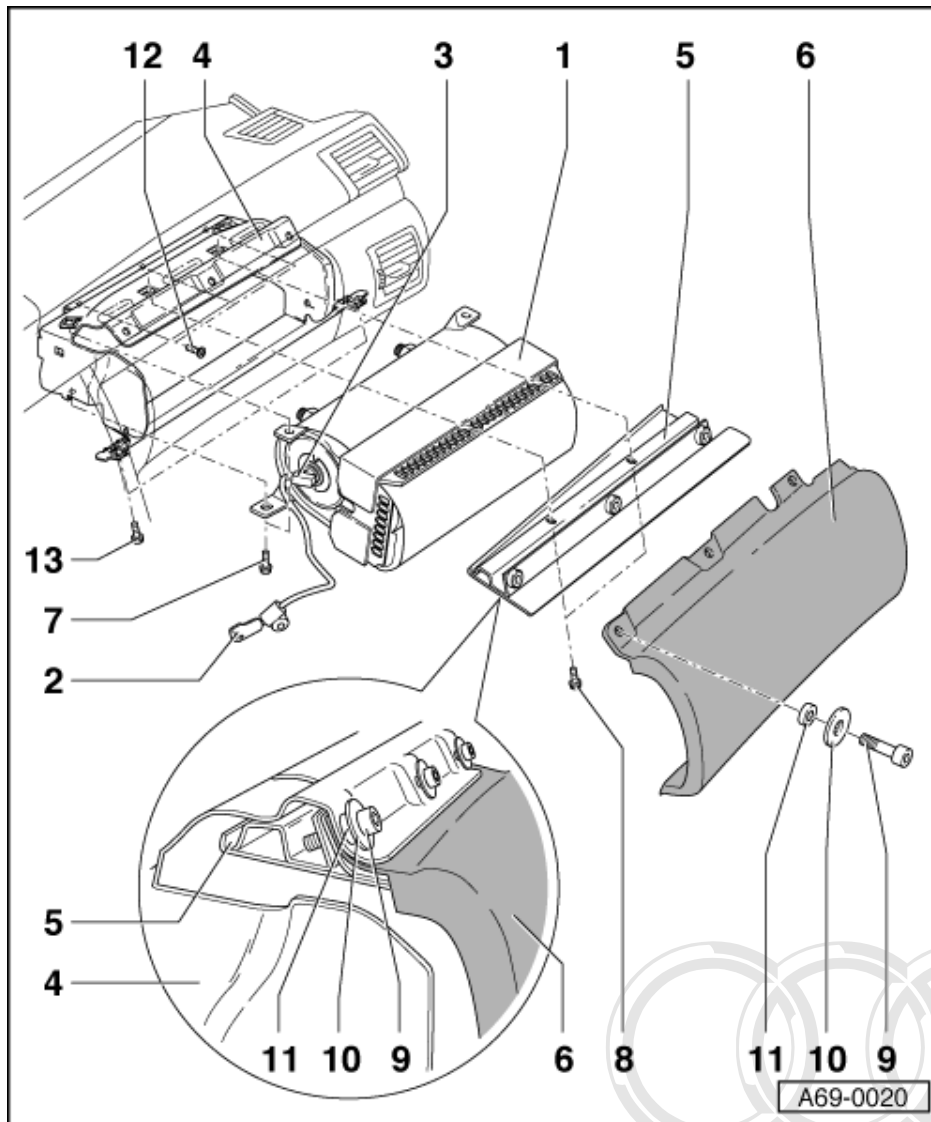


- Detach connector for glove compartment light; leave Bowden cable of lock connected.
- Lay aside glove compartment in passenger's footwell.
- Unscrew 4 bolts -Item 7 - of airbag unit.
- Release and detach orange connector -Item 2 -.
- Remove airbag unit downwards and lay down with cushioned side facing upwards.
- ◆ Install in reverse order, note the following:
  - Switch ignition on.
  - Connect battery.

copyright. Copying for private or commercial purposes, in part or in whole, is not permitted unless authorised by AUDI AG. AUDI AG does not guarantee or accept any liability with respect to the correctness of information in this document. Copyright by AUDI AG.

**Important**

There must be no-one in the vehicle when the battery is being connected.



**2 Orange connector**

- ◆ Installation position: Top left in dash panel opening for glove compartment

**3 Red connector**

- ◆ Must not be disconnected from airbag unit -Item 1 -
- ◆ If connector has been detached airbag unit is defective and must be replaced

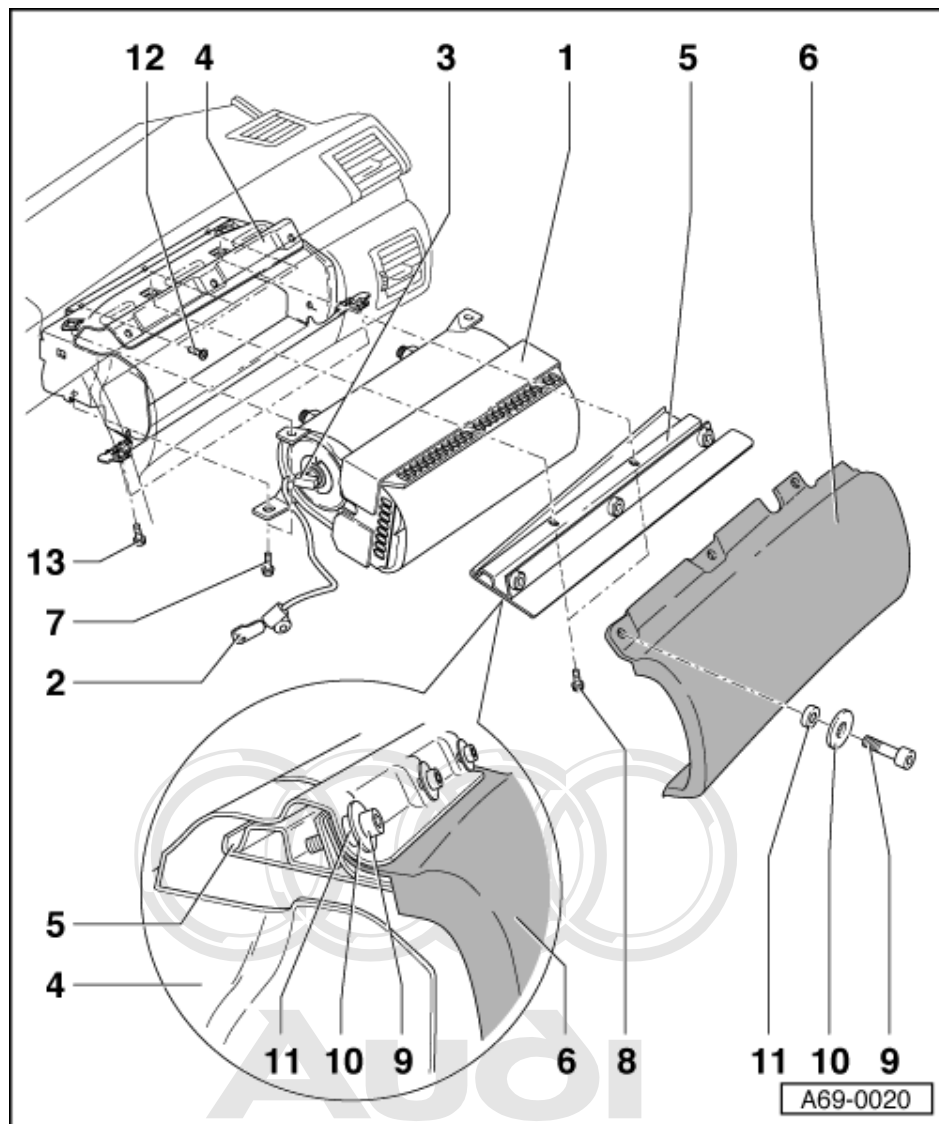
**4 Retaining frame**

- ◆ Replace retaining frame after triggering of passenger's airbag

◆ Removing:

- Airbag unit - 1 -.
- Screw out 3 bolts -Item 12 - and 2 bolts -Item 13 -.

Protected by copyright. Copying for private or commercial purposes, in part or in whole, is not permitted unless authorised by AUDI AG. AUDI AG does not guarantee or accept any liability with respect to the correctness of information in this document. Copyright by AUDI AG.

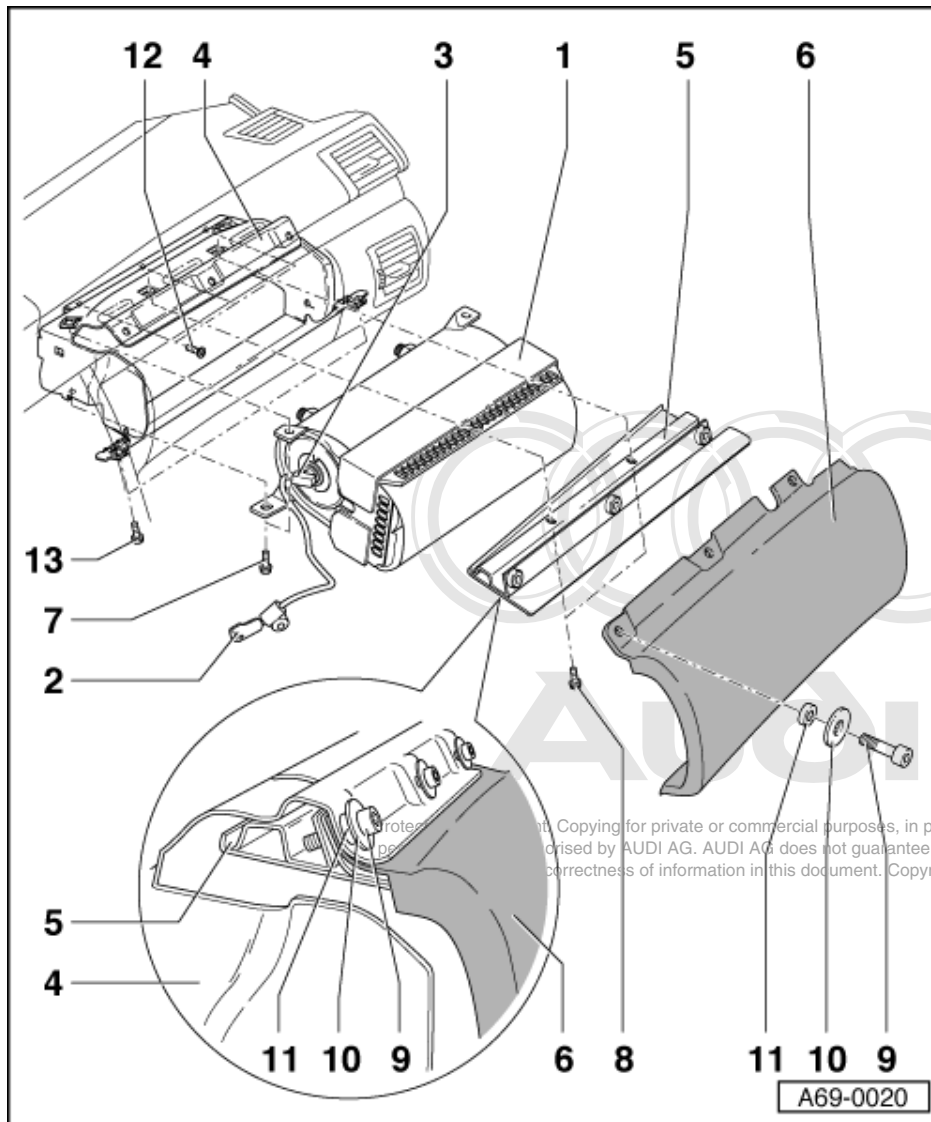


- Remove dash panel trim => Page 274 .
- Screw out 3 bolts -Item 9 - and detach with washers -Item 10 - and spacer sleeves -Item 11 -.
- Take out retaining frame with retaining strip -Item 5 - and cap for airbag -Item 6 - downwards.
- ◆ Install in reverse order

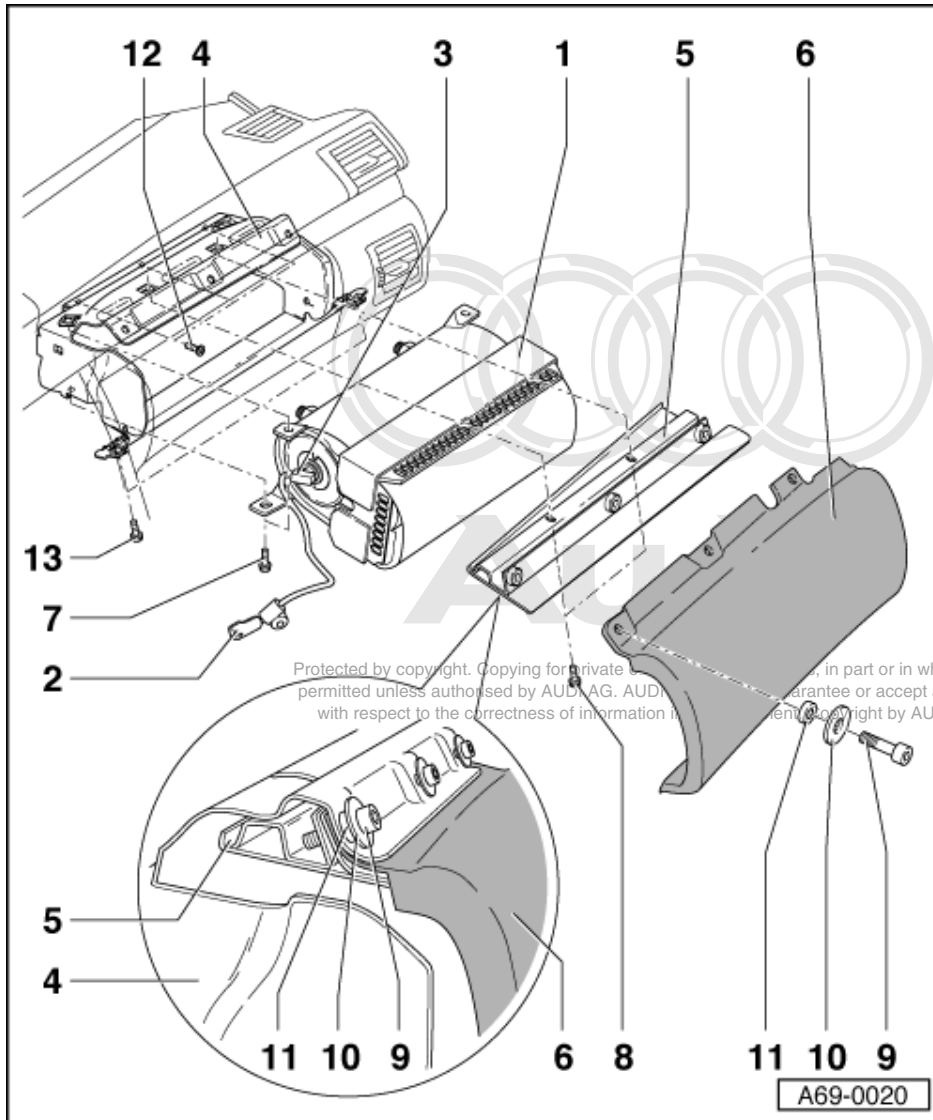
#### 5 Retaining strip

#### 6 Cap for airbag

- ◆ Removing:
  - Open glove compartment.
  - Unscrew glove compartment frame.



- Pull glove compartment frame backwards out of guides.
- Detach connector for glove compartment light; leave Bowden cable of lock connected.
- Lay aside glove compartment in passenger's footwell.
- Remove dash panel trim => Page 274 .
- Screw out 3 bolts -Item 9 - and detach with washers -Item 10 - and spacer sleeves -Item 11 -.
- ◆ Install in reverse order
- Slip slider supplied onto cap so that it is flush with bottom.



**7 Bolt - 6 Nm**

- ◆ 4 off
- ◆ Self-locking
- ◆ Replace
- ◆ Threaded bores for bolts must always be cleaned (e.g. with a thread tap)

**8 Bolt - 3 Nm**

- ◆ 2 off

**9 Bolt - 3 Nm**

- ◆ 3 off

**10 Washer**

- ◆ 3 off

**11 Spacer sleeve**

- ◆ 3 off

**12 Bolt - 5 Nm**

- ◆ 3 off

**13 Bolt - 3 Nm**

- ◆ 2 off



**Notes:**

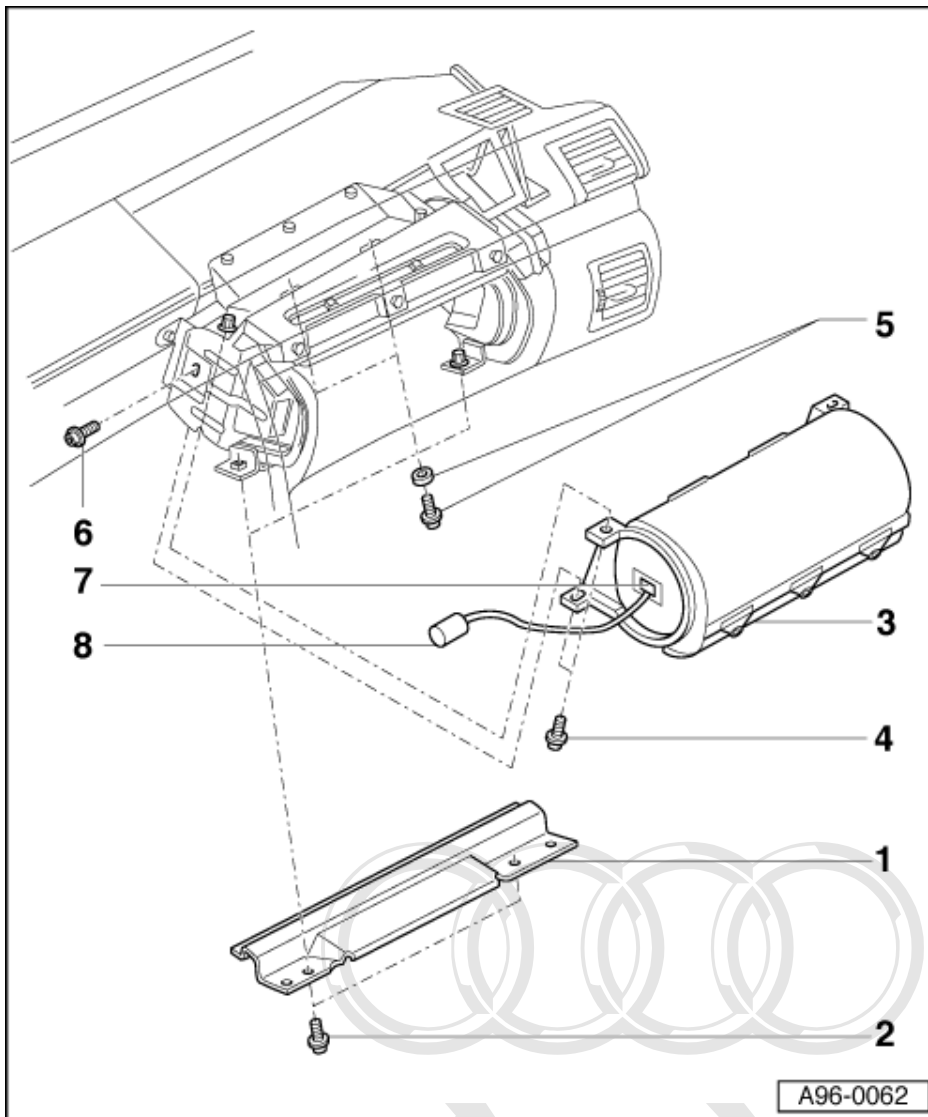
- ◆ After connecting the battery, please ensure that the vehicle accessories (radio, clock, electric window lifters) are checked according to workshop manual and/or operating instructions.

=> Electrical System; Repair group 27; Battery Battery

- ◆ If the fault warning light (K 75) for airbag signals a fault after assembly the fault memory must be erased and again be interrogated by using fault reader V.A.G 1551.

=> Body Self-diagnosis; Repair group 01

### 7.4 - Removing and installing passenger airbag unit on RHD vehicles 07.96 ä



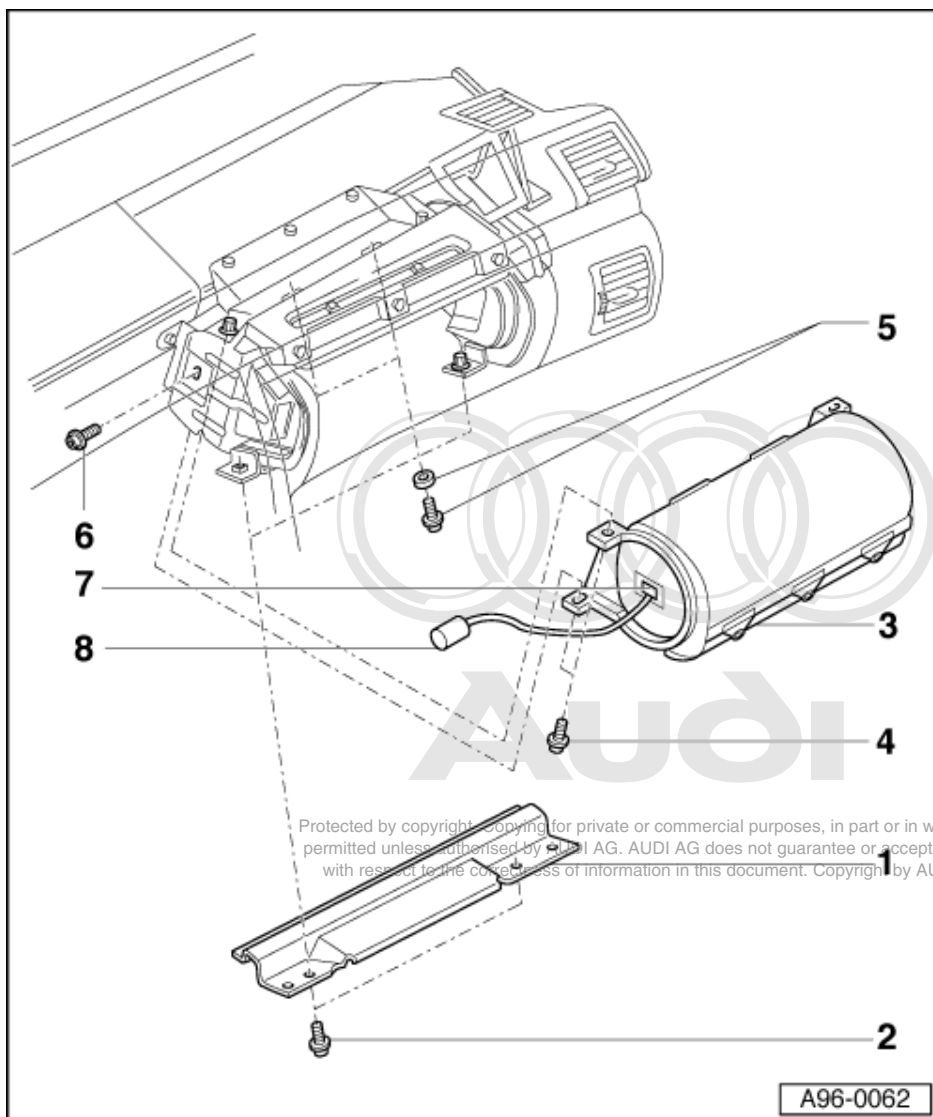
**Note:**

*Exploded view in Fig. is a mirror image.*

Protected by copyright. Copying for private or commercial purposes, in part or in whole, is not permitted unless authorised by AUDI AG. AUDI AG does not guarantee or accept any liability with respect to the correctness of information in this document. Copyright by AUDI AG.

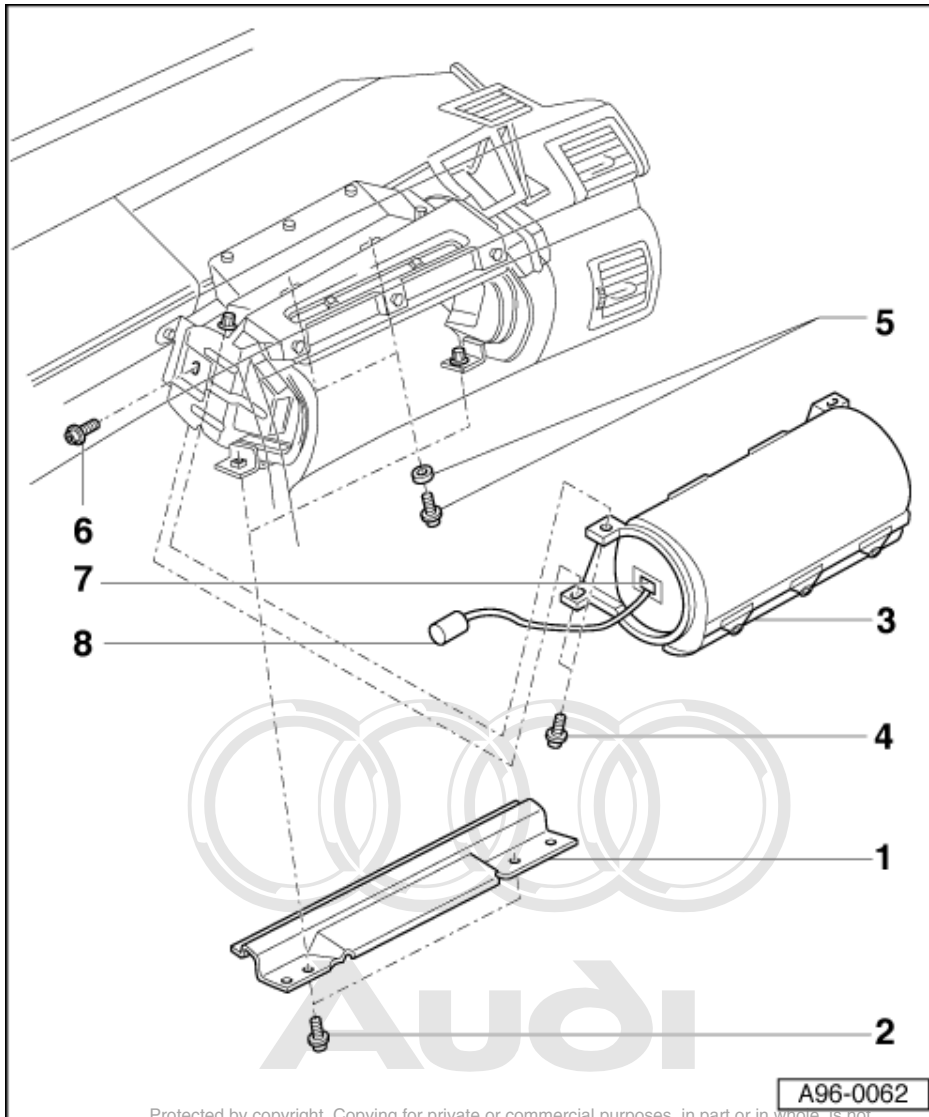
**Important**

- 1 Airbag guide
- 2 Bolt - 5 Nm
  - ◆ 2 off



**3 Passenger's airbag unit**

- ◆ Removing:
  - In vehicles with encoded radio/radio-navigation system (RNS) Refer to code; if necessary, establish.
  - Detach battery earthing strap/cable, cover over negative terminal.
  - Open glove compartment.
  - Unscrew glove compartment frame.
  - Pull glove compartment frame backwards out of guides.
  - Detach connector for glove compartment light; leave Bowden cable of lock connected.
  - Lay aside glove compartment in passenger's footwell.



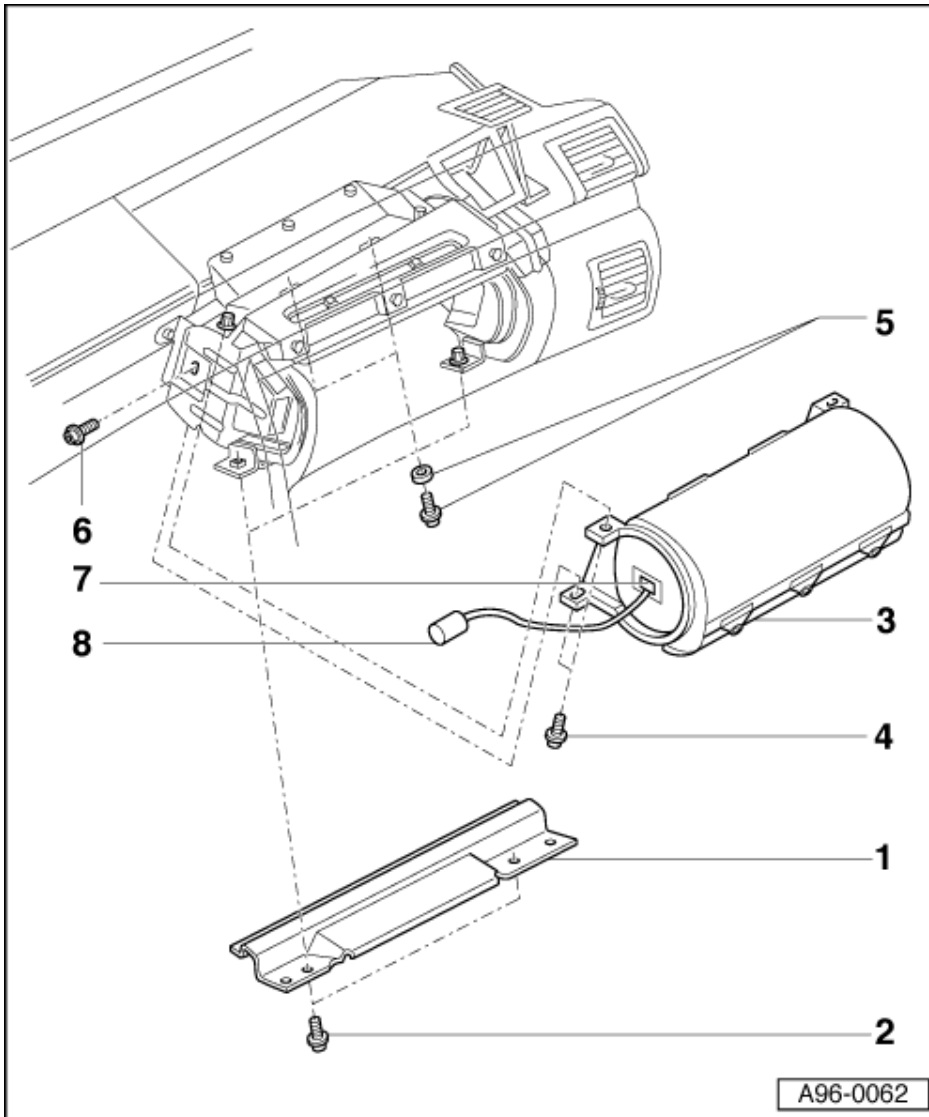
- Protected by copyright. Copying for private or commercial purposes, in part or in whole, is not permitted without the express authorisation by AUDI AG. AUDI AG does not guarantee or accept any liability with regard to the correctness of information in this document. Copyright by AUDI AG.
- Unscrew 4 bolts -Item 4 of airbag unit.
  - Release and detach orange connector -Item 8-.
  - Remove airbag unit downwards and lay down with cushioned side facing upwards.
  - ◆ Install in reverse order, note the following:
    - Switch ignition on.
    - Connect battery.

**Important**

There must be no-one in the vehicle when the battery is being connected.

**4 Bolt - 9 Nm**

- ◆ 4 off



**5 Bolt with washer - 5 Nm**

- ◆ For retaining frame
- ◆ 2 off
- ◆ Replace retaining frame after triggering of passenger's airbag

**6 Bolt - 9 Nm**

- ◆ For retaining frame
- ◆ 4 off
- ◆ Replace retaining frame after triggering of passenger's airbag

**7 Red connector**

- ◆ Must not be disconnected from airbag unit -Item 3 -
- ◆ If connector has been detached airbag unit is defective and must be replaced

**8 Orange connector**

- ◆ Installation position: At top in dash panel opening for glove compartment

**Notes:**

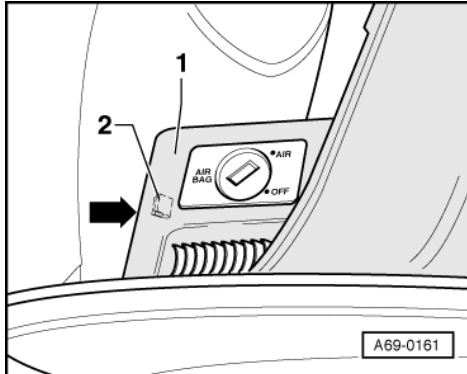
- ◆ After connecting the battery, please ensure that the vehicle accessories (radio, clock, electric window lifters) are checked according to workshop manual and/or operating instructions.

=> Electrical System; Repair group 27; Battery Battery

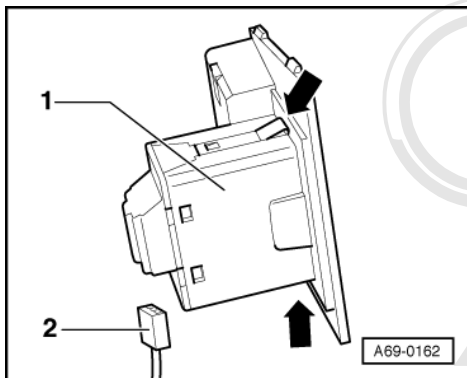
- ◆ If the fault warning light (K 75) for airbag signals a fault after assembly the fault memory must be erased and again be interrogated by using fault reader V.A.G 1551.

=> Body Self-diagnosis; Repair group 01

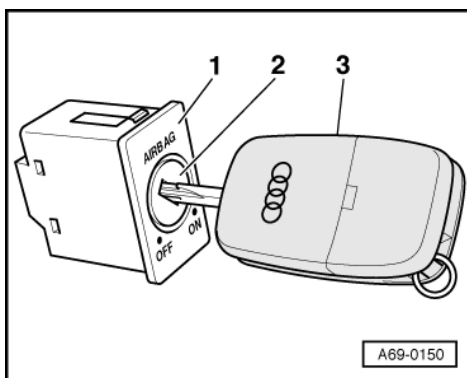
## 7.5 - Removing and installing key switch for passenger airbag



- -> Open glove compartment.
- Use screwdriver to press spring -2- in direction of arrow (in centre of trim -1-) and detach trim -1-.



- -> Detach connector -2-.
- Use screwdriver to press fasteners (arrows).
- Press out key switch for passenger's airbag -1- towards front.



- -> Insert key -3- into lock -2-.
- Destroy key switch -1- with key -3- inserted.
- Break out lock -2-.
- Press lock -2- with key -3- inserted into the new key switch -1- until lock -2- engages.

## 8 - Repairing side airbags

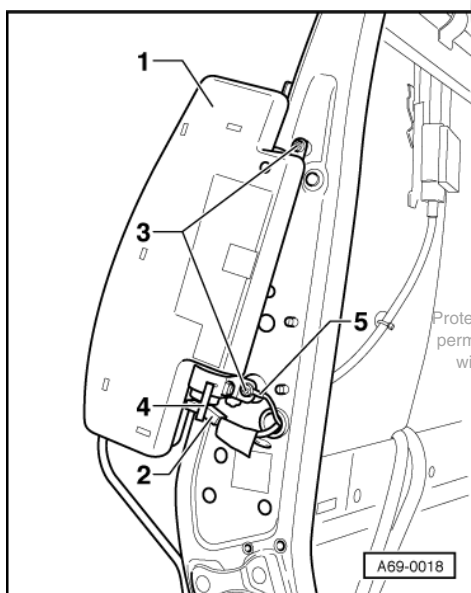
### 8.1 - Repairing side airbags

### 8.2 - Removing and installing front side airbag

#### Removing

Important  
Observe safety precautions for working on airbag =>

- Refer to coding on vehicles with encoded radio/radio navigation system (RNS); if necessary, interrogate.



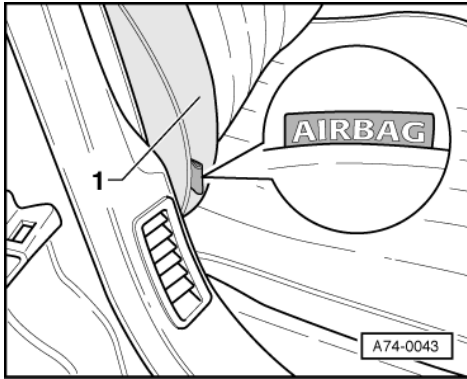
Protected by copyright. Copying for private or commercial purposes, in part or in whole, is not permitted unless authorised by AUDI AG. AUDI AG does not guarantee or accept any liability with respect to the correctness of information in this document. Copyright by AUDI AG.

- Detach battery earthing strap/cable and cover negative terminal.
  - Remove front seat => Page 281 .
  - Remove backrest cover => Page 388 .
  - -> Flick over catch -4- and detach connector -2- from side airbag -1-.
  - Screw out 2 bolts -3- (5.1 Nm).
- 5 - Earth cable attached to lower bolt -3-.
- Screw out 2 bolts -2- (3.5 Nm).
  - Push side airbag -1- approx. 10 mm forwards, detach from holders -3- and remove.

#### Installing

Installation is carried out in the reverse order; note the following:

Important  
In order to guarantee the function of the side airbag the new upholstery clips must be entered at the same place as before their removal, when working at the backrest cover.



- ◆ -> Backrest cover -1- is identified by "AIRBAG"-tag.
- ◆ "AIRBAG"-tag must not be removed on vehicles with side airbag.

Important  
Observe seat installation instructions =>°

**Notes:**

- ◆ After connecting the battery, please ensure that the vehicle accessories (radio, clock, electric window lifters) are checked according to workshop manual and/or operating instructions.

=> Electrical System; Repair group 27; Battery Battery

- ◆ If the fault warning light (K 75) for airbag signals a fault after assembly the fault memory must be erased and again be interrogated by using fault reader V.A.G 1551.

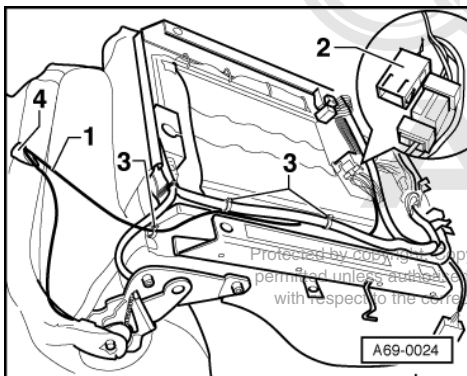
=> Body Self-diagnosis; Repair group 01

### 8.3 - Removing and installing front side airbag with sports seat

#### Removing

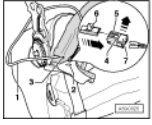
Important  
Observe safety precautions for working on airbag =>

- Refer to coding on vehicles with encoded radio/radio navigation system (RNS); if necessary, interrogate.
- Detach battery earthing strap/cable and cover negative terminal.
- Remove front seat => Page 281.



- -> Remove connector -2- from side airbag with retainer at seat pan.
- Cut through the 3 cable ties -3-.

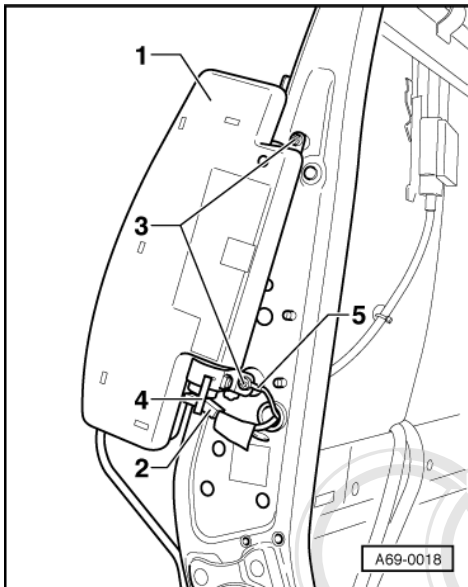
- Pull wire -1- through loop -4-.



- -> Remove wire for side airbag from connector housing -4-:
  - Press down catch -5- with screwdriver and push out retainer in direction of arrow.
  - Push violet locking element -7- in arrow direction by one detent and take out wire.

**Note:**

*Receptacle assignment of connector housing:*

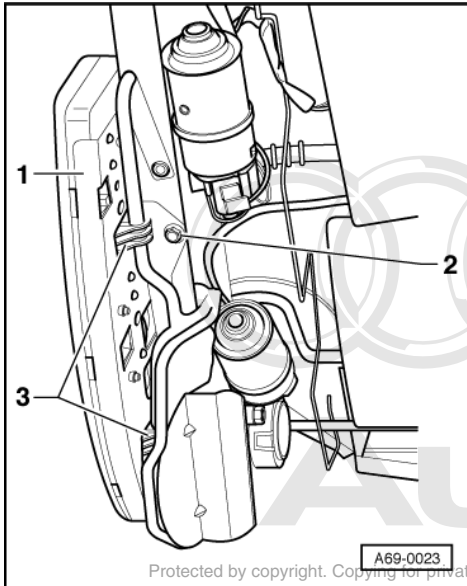


- ♦ Blue wire at terminal 1.
- ♦ Brown wire at terminal 2.
  - Pull wire -1- through cut-out -2-.
- Remove backrest cover => Page 389 .
- -> Flick over catch -4- and detach connector -2- from side airbag -1-.
- Screw out the 3 nuts -2-.

- 5 - Earth cable attached to lower nut -3-.

Protected by copyright. Copying for private or commercial purposes, in part or in whole, is not permitted unless authorised by AUDI AG. AUDI AG does not guarantee or accept any liability with respect to the correctness of information in this document. Copyright by AUDI AG.



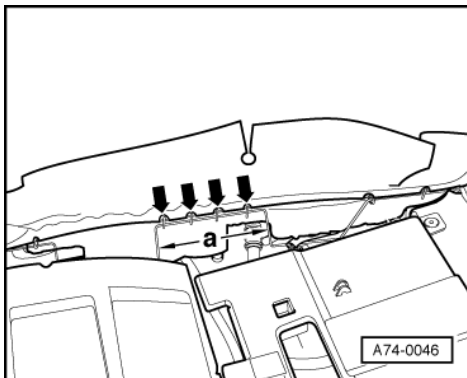


Protected by copyright. Copying for private or commercial purposes, in part or in whole, is not permitted unless authorised by AUDI AG. AUDI AG does not guarantee or accept any liability for the correctness of information in this document. Copyright by AUDI AG.

- -> Screw out (6 Nm) bolt -1-
- Press side airbag forwards approx. 10 mm and detach it from retainers -3-.
- Take out side airbag -1-.

### Installing

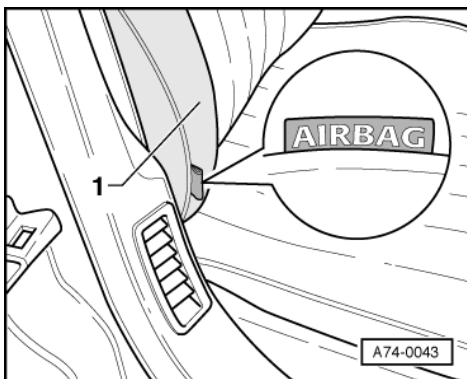
Installation is carried out in the reverse order; note the following:



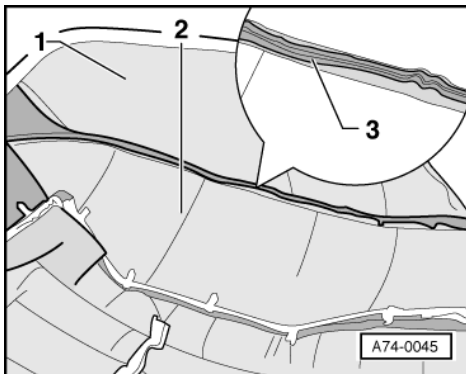
### Important

In order to guarantee the function of the side airbag the new upholstery clips must be entered at the same place as before their removal, when working at the backrest cover.

- -> On seats with side airbag 4 upholstery staples -arrows- must fitted instead of two in area -a-.



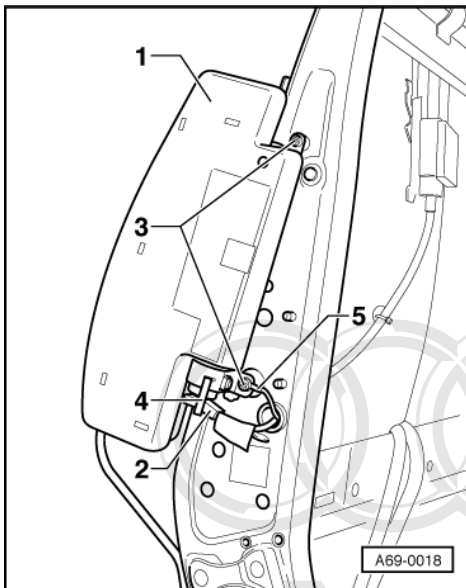
- ◆ -> Backrest cover -1- is identified by "AIRBAG"-tag.
- ◆ "AIRBAG"-tag must not be removed on vehicles with side airbag.



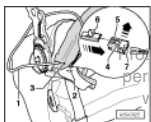
- ◆ -> For the sake of appearance and to ensure proper functioning the leather/fabric strip -3- on the inside must always face outwards in the case of covers with piping.

- 1 - Outer side cushion cover
- 2 - Inner side cushion cover

- ◆ If the leather/fabric strip has been fitted correctly the piping and "AIRBAG"-tag will face the front and not outwards.



- -> Fit (6 Nm) nuts using liquid locking compound "D 000 600 A2".



Protected by copyright. Copying for private or commercial purposes, in part or in whole, is not permitted unless authorised by AUDI AG. AUDI AG does not guarantee or accept any liability with respect to the correctness of information in this document. Copyright by AUDI AG.

- -> With a new cover use scissors to pierce cut-out -2- in area of cable guide for insertion of wire -1-.

**Important**  
**Observe seat installation instructions =>°**

**Notes:**

- ◆ After connecting the battery, please ensure that the vehicle accessories (radio, clock, electric window lifters) are checked according to workshop manual and/or operating instructions.

=> Electrical System; Repair group 27; Battery Battery

- ◆ If the fault warning light (K 75) for airbag signals a fault after assembly the fault memory must be erased and again be interrogated by using fault reader V.A.G 1551.

=> Body Self-diagnosis; Repair group 01

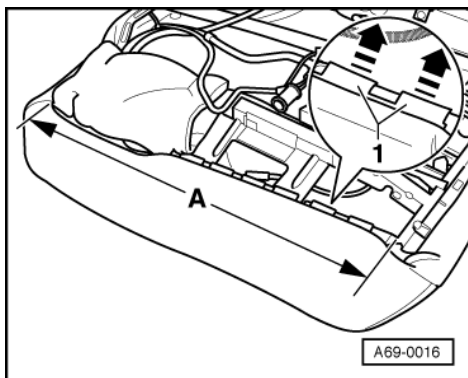
## 8.4 - Removing and installing rear side airbag

Protected by copyright. Copying for private or commercial purposes, in part or in whole, is not permitted. Audi AG does not guarantee or accept any liability with respect to the correctness of information in this document. Copyright by AUDI AG.

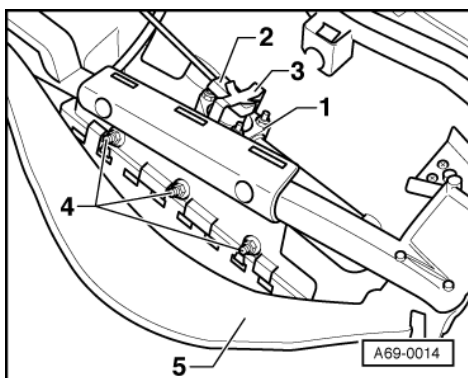
### Removing

**Important**  
Observe safety precautions for working on airbag =>

- Refer to coding on vehicles with encoded radio/radio navigation system (RNS); if necessary, interrogate.
- Detach battery earthing strap/cable and cover negative terminal.
- Remove rear bench seat => Page 330 .
- Remove rear seat backrest => Page 330 .



- -> Use screwdriver to lever out upholstery hooks -1- in area -A- of side airbag in direction of arrow.



- -> Flick over catch -3- and detach connector -2- from side airbag -1-.
- Pull aside backrest cover -5- around side airbag until nuts -4- are exposed.
- Screw out the 3 nuts -4-.

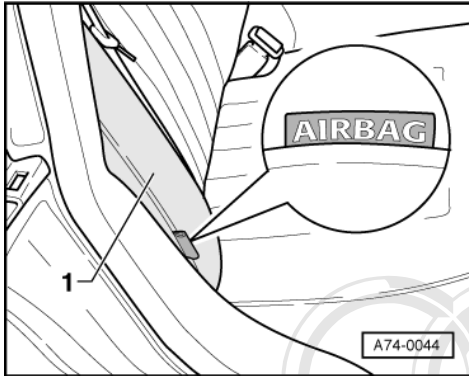
**Note:**

One of the nuts is used to attach an earth cable.

- Press side airbag approx. 10 mm towards upholstery and lift it out.

**Installing**

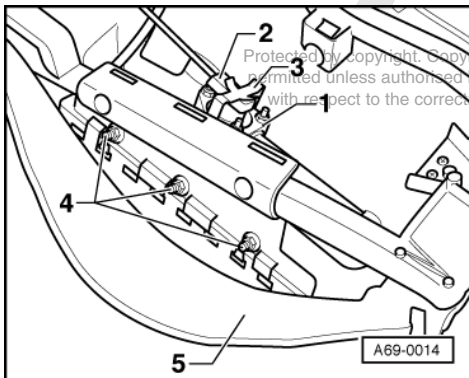
Installation is carried out in the reverse order; note the following:



**Important**

In order to guarantee the function of the side airbag the new upholstery clips must be entered at the same place as before their removal, when working at the backrest cover.

- ◆ -> Backrest cover -1- is identified by "AIRBAG"-tag.
- ◆ "AIRBAG"-tag must not be removed on vehicles with side airbag.



Protected by Copyright. Copying for private or commercial purposes, in part or in whole, is not permitted unless authorised by AUDI AG. AUDI AG does not guarantee or accept any liability with respect to the correctness of information in this document. Copyright by AUDI AG.

- -> Use one of the nuts -4- to attach the earth cable (5 Nm).

**Important**

Observe rear seat backrest installation instructions =>

**Notes:**

- ◆ After connecting the battery, please ensure that the vehicle accessories (radio, clock, electric window lifters) are checked according to workshop manual and/or operating instructions.

=> Electrical System; Repair group 27; Battery Battery

- ◆ If the fault warning light (K 75) for airbag signals a fault after assembly the fault memory must be erased and again be interrogated by using fault reader V.A.G 1551.

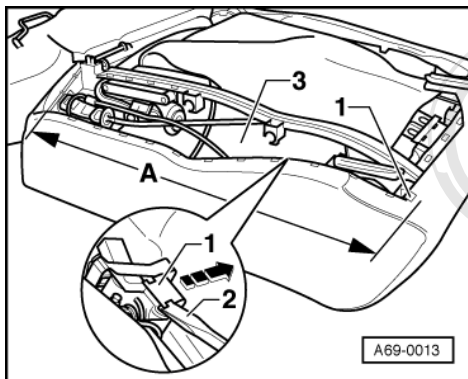
=> Body Self-diagnosis; Repair group 01

## 8.5 - Removing and installing rear side airbag with electrically adjustable individual seats

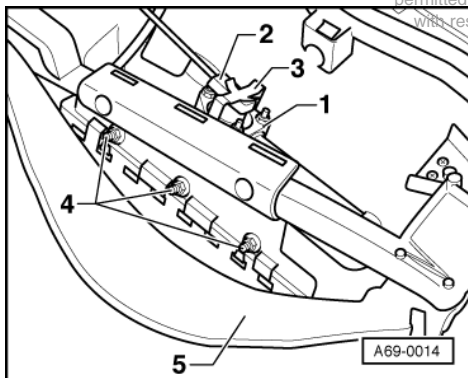
### Removing

Important  
Observe safety precautions for working on airbag =>

- Refer to coding on vehicles with encoded radio/radio navigation system (RNS); if necessary, interrogate.
- Detach battery earthing strap/cable and cover negative terminal.
- Remove rear seat => from Page 369 .



- Detach backrest from rear seat =>Page 373 .
- -> Use screwdriver to lever out upholstery staples -1- in area -A- of side airbag in direction of arrow.



- -> Flick over catch -3- and detach connector -2- from side airbag -1-.
- Pull aside backrest cover -5- around side airbag until nuts -4- are exposed.
- Screw out the 3 nuts -4-.

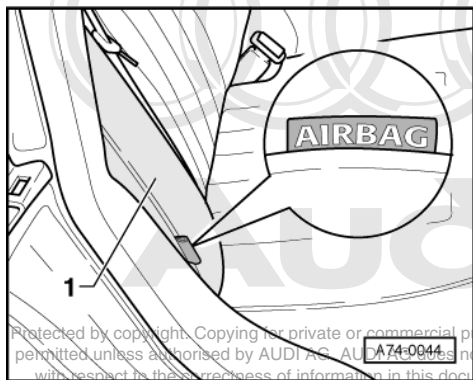
### Note:

*One of the nuts is used to attach an earth cable.*

- Press side airbag approx. 10 mm towards upholstery and lift it out.

### Installing

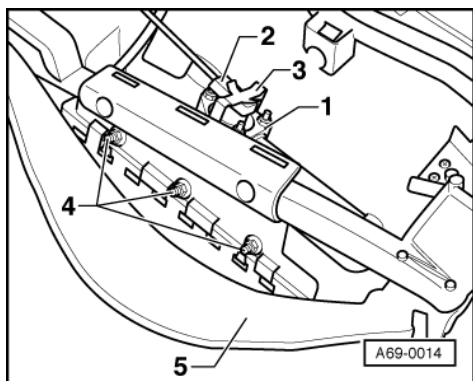
Installation is carried out in the reverse order; note the following:



**Important**

In order to guarantee the function of the side airbag the new upholstery clips must be entered at the same place as before their removal, when working at the backrest cover.

- ◆ -> Backrest cover -1- is identified by "AIRBAG"-tag.
- ◆ "AIRBAG"-tag must not be removed on vehicles with side airbag.



- -> Use one of the nuts -4- to attach the earth cable (5 Nm).

**Important**

Observe seat installation instructions =>

**Notes:**

- ◆ After connecting the battery, please ensure that the vehicle accessories (radio, clock, electric window lifters) are checked according to workshop manual and/or operating instructions.

=> Electrical System; Repair group 27; Battery Battery

- ◆ If the fault warning light (K 75) for airbag signals a fault after assembly the fault memory must be erased and again be interrogated by using fault reader V.A.G 1551.

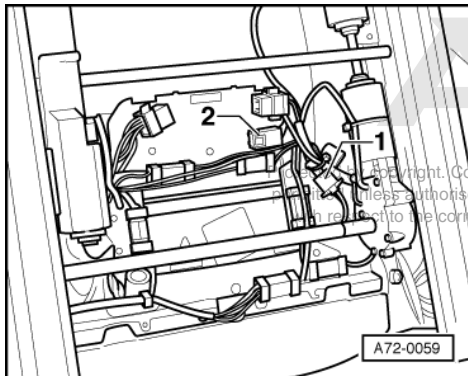
=> Body Self-diagnosis; Repair group 01

## 8.6 - Removing and installing front seat occupied sensor

### Removing

**Important**  
Observe safety precautions for working on airbag =>

- Refer to coding on vehicles with encoded radio/radio navigation system (RNS); if necessary, interrogate.
- Detach battery earthing strap/cable and cover negative terminal.
- Remove front seat => Page 281 .
- Remove seat cover => Page 380 .



- Cut through cable tie.
- -> Remove and detach connector -1- for seat occupied sensor and seat heating.

2 - Connector for side airbag

- Detach seat upholstery with sensor mat and seat heating.

### **Note:**

*Replacement seat-occupied sensor mat is only available in conjunction with seat heating and seat upholstery.*

### Installing

Installation is carried out in the reverse order; note the following:

**Important**  
Take care not to kink sensor mat as otherwise it will not function properly.

- After fitting check function of sensor mat => Page 155 .

**Important**  
Observe seat installation instructions =>

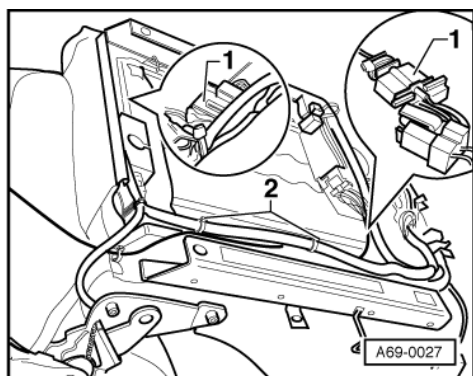
## 8.7 - Removing and installing front seat occupied sensor with sports seat

### Removing

**Important**  
Observe safety precautions for working on airbag =>



- Refer to coding on vehicles with encoded radio/radio navigation system (RNS); if necessary, interrogate.
- Detach battery earthing strap/cable and cover negative terminal.
- Remove front seat => Page 281 .
- Remove seat cover => Page 382 .



Protected by copyright. Copying for private or commercial purposes, in part or in whole, is not permitted unless authorised by AUDI AG. AUDI AG does not guarantee or accept any liability with respect to the correctness of information in this document. Copyright by AUDI AG.

- -> Cut through cable tie -2-.
- Remove and detach connector -1- for seat occupied sensor and seat heating.
- Detach seat upholstery with sensor mat and seat heating.

**Notes:**

- ◆ Replacement seat-occupied sensor mat is only available in conjunction with seat heating and seat upholstery.
- ◆ Sensor mat is in two parts on account of pull-out thigh rest.

**Installing**

Installation is carried out in the reverse order; note the following:

**Important**  
Take care not to kink sensor mat as otherwise it will not function properly.

- After fitting check function of sensor mat => Page 155 .

**Important**  
Observe seat installation instructions =>°

**Notes:**

- ◆ After connecting the battery, please ensure that the vehicle accessories (radio, clock, electric window lifters) are checked according to workshop manual and/or operating instructions.

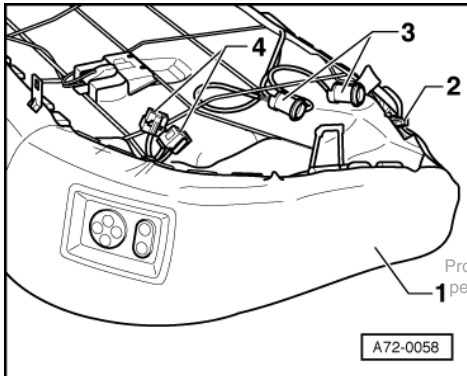
=> Electrical System; Repair group 27; Battery Battery

- ◆ If the fault warning light (K 75) for airbag signals a fault after assembly the fault memory must be erased and again be interrogated by using fault reader V.A.G 1551.

=> Body Self-diagnosis; Repair group 01



## 8.8 - Removing and installing rear seat occupied sensor

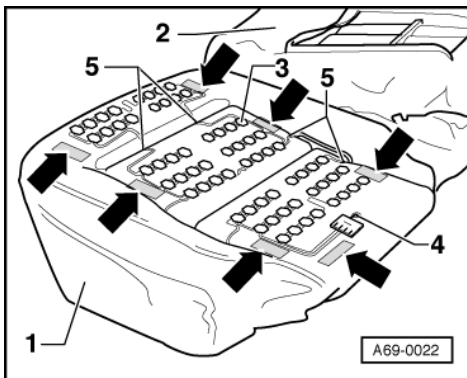


Protected by copyright. Copying for private or commercial purposes, in part or in whole, is not permitted unless authorised by AUDI AG. AUDI AG does not guarantee or accept any liability with respect to the correctness of information in this document. Copyright by AUDI AG.

### Removing

- Remove rear bench seat => Page 330 .
- -> Cut through cable ties for wiring of two-way connector -2- on left/right and detach from lattice framework.

- 1 - Seat cover
- 3 - Connector for seat heater
- 4 - Connector to rear seat backrest



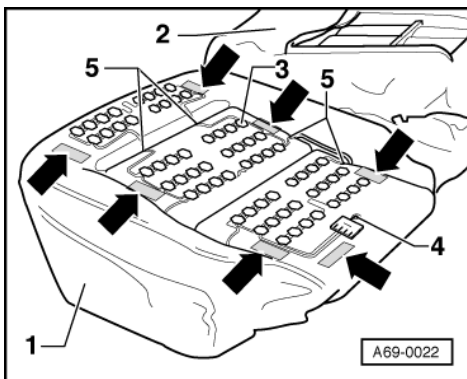
- -> Remove cover -2- for rear seat on left/right => Page 396 .
- Carefully detach sensor mat -3- from upholstery -1- at locations marked with arrows.
- Remove wire from opening -4-.

### Installing

Installation is carried out in the reverse order; note the following:

#### Important

Take care not to kink sensor mat as otherwise it will not function properly.





- -> Fix sensor mat -3- in position on upholstery -1- at bonding locations -arrows- taking care to avoid creases and kinks.
- Place wire in opening -4-.
- Insert sensor mat into folds at -Item 5-.

**Note:**

When installing cover - 2- for rear seat take care not to damage sensor mat at -Item 5-.

- After fitting check function of sensor mat => Page 155 .

## 8.9 - Removing and installing rear seat occupied sensor with electrically adjustable individual seats

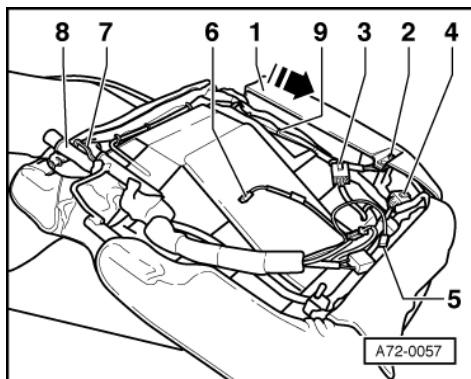
### Removing

Protected by copyright. Copying for private or commercial purposes, in part or in whole, is not permitted unless authorised by AUDI AG. AUDI AG does not guarantee or accept any liability with respect to the correctness of information in this document. Copyright by AUDI AG.

**Important**

Observe safety precautions for working on airbag =>

- Refer to coding on vehicles with encoded radio/radio navigation system (RNS); if necessary, interrogate.
- Detach battery earthing strap/cable and cover negative terminal.
- Remove rear seat => from Page 369 .



- Remove cover for rear seat on left/right => Page 404 .
- -> Detach wire -7- with two-way connector -6- from wiring harness -8-.
- Detach seat upholstery with sensor mat and seat heating.

**Note:**

Replacement seat-occupied sensor mat is only available in conjunction with seat heating and seat upholstery.

### Installing

Installation is carried out in the reverse order; note the following:

**Important**

Take care not to kink sensor mat as otherwise it will not function properly.

- After fitting check function of sensor mat => Page 155 .

**Important**

Observe seat installation instructions =>

**Notes:**

- ◆ After connecting the battery, please ensure that the vehicle accessories (radio, clock, electric window lifters) are checked according to workshop manual and/or operating instructions.

=> Electrical System; Repair group 27; Battery Battery

- ◆ If the fault warning light (K 75) for airbag signals a fault after assembly the fault memory must be erased and again be interrogated by using fault reader V.A.G 1551.

=> Body Self-diagnosis; Repair group 01

## 8.10 - Checking function of seat-occupied sensor mat

Protected by copyright. Copying for private or commercial purposes, in part or in whole, is not permitted unless authorised by AUDI AG. AUDI AG does not guarantee or accept any liability with respect to the correctness of information in this document. Copyright by AUDI AG.

### Passenger seat

```
Read measured value block 3
Correct      Not occupied      Belt: no
Belt: no
```

-> Read measured value block, display group 003:

=> Body Self-diagnosis; Repair group 01; Self-diagnosis of airbag system; Reading measured value block Self-diagnosis of airbag system Reading measured value block

- Check display in display zone 2.
- Specified value: Not occupied

### Rear seat:

```
Read measured value block 6
Not occupied      Not occupied
```

-> Read measured value block, display group 006:

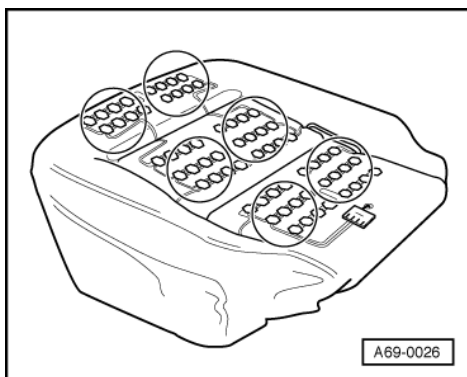
=> Body Self-diagnosis; Repair group 01; Self-diagnosis of airbag system; Reading measured value block Self-diagnosis of airbag system Reading measured value block

- Check display in display zones 1 and 2.
- Specified value: Not occupied

### All models:

#### Note:

*Sensor mat is defective or cover too taut if "occupied" is displayed with no load on sensor.*



- -> Press hand onto individual sensor groups -circles-. Max force: 12 kg.

**Note:**

Fig. shows the sensor mat without cover.

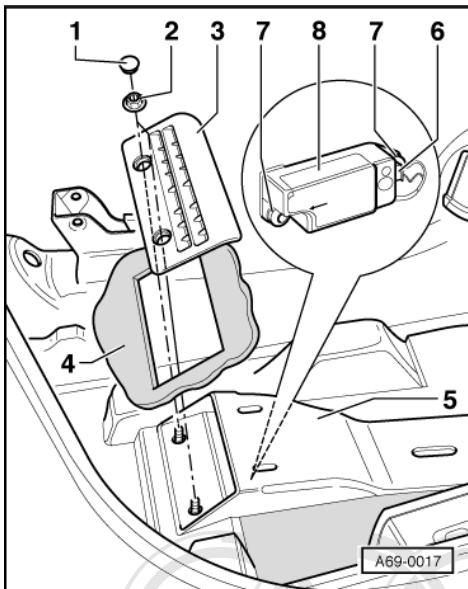
- Check display in display zones 1 and 2.
  - Specified value: occupied

## 8.11 - Removing and installing sensor for lateral acceleration

One lateral acceleration sensor each is fitted beneath the front seats on the left and right. The left and right sensors are identical.

### Removing

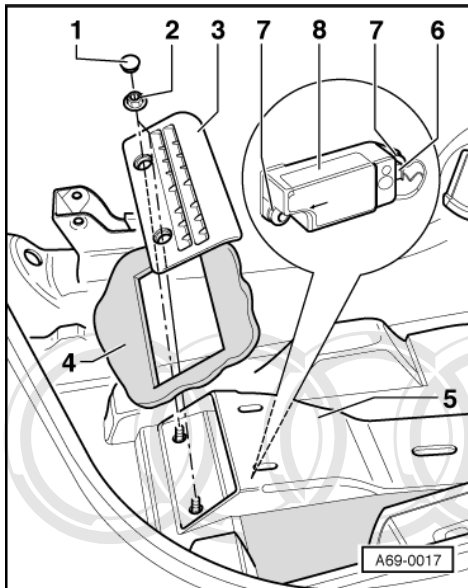
Important  
Observe safety precautions for working on airbag =>



- Refer to coding on vehicles with encoded radio/radio navigation system (RNS); if necessary, interrogate.
- Detach battery earthing strap/cable and cover negative terminal.
- Remove front seat => Page 281 .
- Remove inner sill panel trim=>Page 212 .
- -> Prise out the two plugs -1-.
- Screw out the 2 nuts -2-.
- Remove vent -3-.



Protected by copyright. Copying for private or commercial purposes, in part or in whole, is not permitted unless authorised by AUDI AG. AUDI AG does not guarantee or accept any liability with respect to the correctness of information in this document. Copyright by AUDI AG.



- -> Pull out and fold up mat -4- under B-pillar trim.
- Lift up air duct -5-.
- Disconnect the connector -6-.
- Screw out the two bolts -7- and detach lateral acceleration sensor -8-.

**Installing**ight. Copying for private or commercial purposes, in part or in whole, is not permitted unless authorised by AUDI AG. AUDI AG does not guarantee or accept any liability with respect to the correctness of information in this document. Copyright by AUDI AG.

Installation is carried out in the reverse order; note the following:

- Observe installation position of lateral acceleration sensor -8-:
  - Arrow points outwards
- 2 - Nut - 3 Nm
- 2x
- 7 - Bolt - 4.5 Nm
- 2x

**Important**  
Observe seat installation instructions =>°

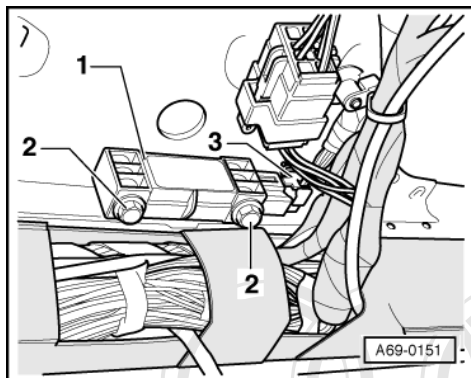
## 8.12 - Removing and installing lateral acceleration sensor MY 1999 ä

One lateral acceleration sensor each is fitted beneath B-pillar trim on the left and right. The left and right sensors are identical.

### Removing

**Important**  
Observe safety precautions for working on airbag =>

- Refer to coding on vehicles with encoded radio/radio navigation system (RNS); if necessary, interrogate.
- Detach battery earthing strap/cable and cover negative terminal.
- Remove B-pillar trim => Page 224 .



- -> Unplug connector -3-.
- Screw out the 2 bolts -2- and detach lateral acceleration sensor -1-.

### Installing

Installation is carried out in the reverse order; note the following:

- Observe installation position of lateral acceleration sensor -1-:
  - Arrow points outwards

2 - Bolt - 6 Nm

-2x

Protected by copyright. Copying for private or commercial purposes, in part or in whole, is not permitted unless authorised by AUDI AG. AUDI AG does not guarantee or accept any liability with respect to the correctness of information in this document. Copyright by AUDI AG.

### Notes:

- ◆ After connecting the battery, please ensure that the vehicle accessories (radio, clock, electric window lifters) are checked according to workshop manual and/or operating instructions.

=> Electrical System; Repair group 27; Battery Battery

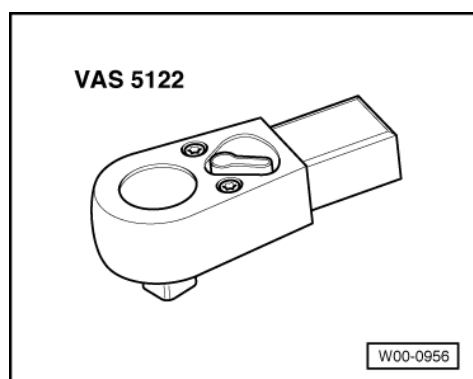
- ◆ If the fault warning light (K 75) for airbag signals a fault after assembly the fault memory must be erased and again be interrogated by using fault reader V.A.G 1551.

=> Body Self-diagnosis; Repair group 01

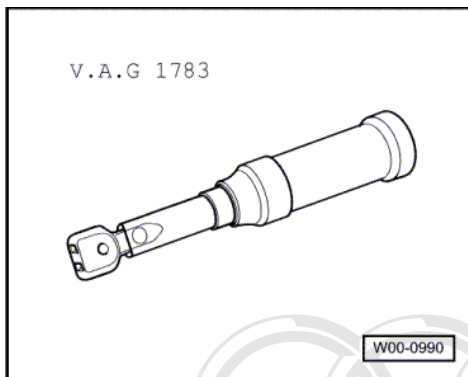
## 9 - Repairing head airbag

### 9.1 - Repairing head airbag

#### Special tools, testers and auxiliary items required

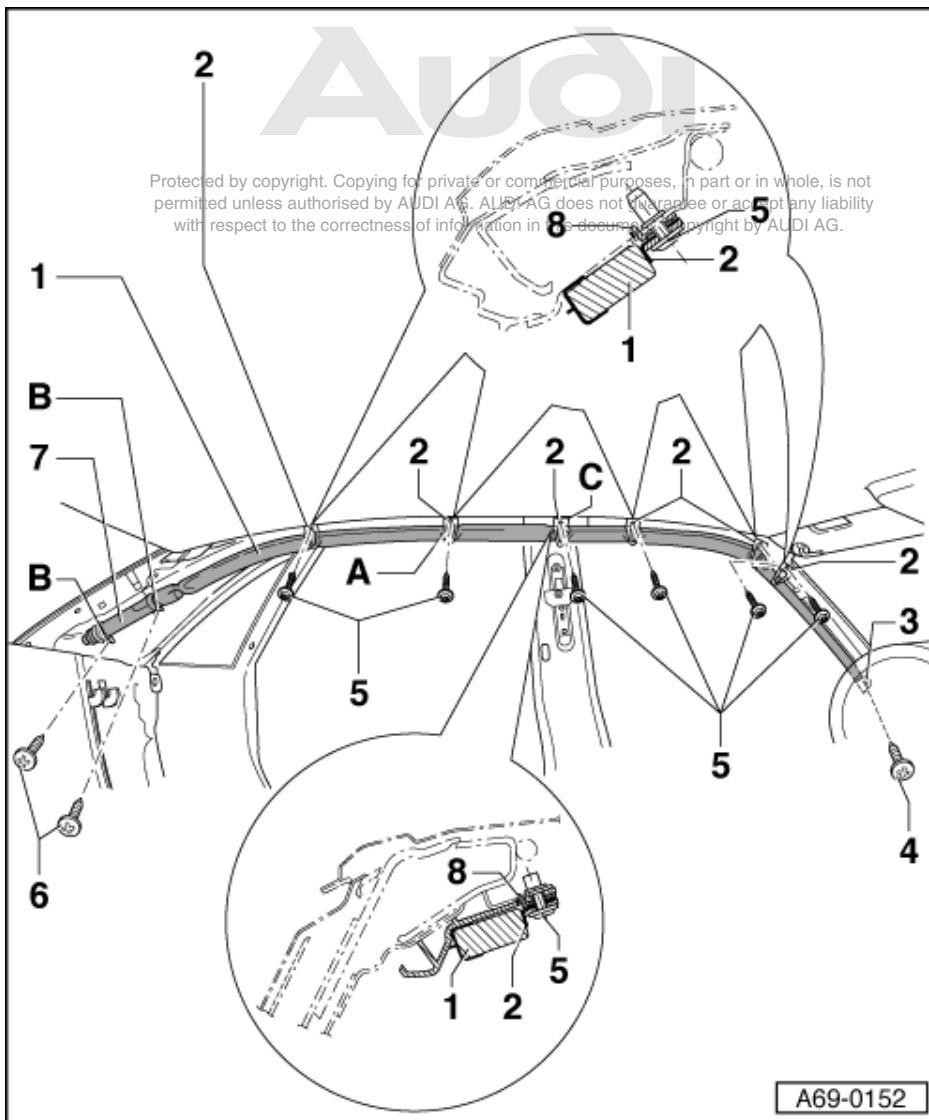


- ◆ VAS 5122



- ◆ V.A.G 1783

## 9.2 - Removing and installing head airbag

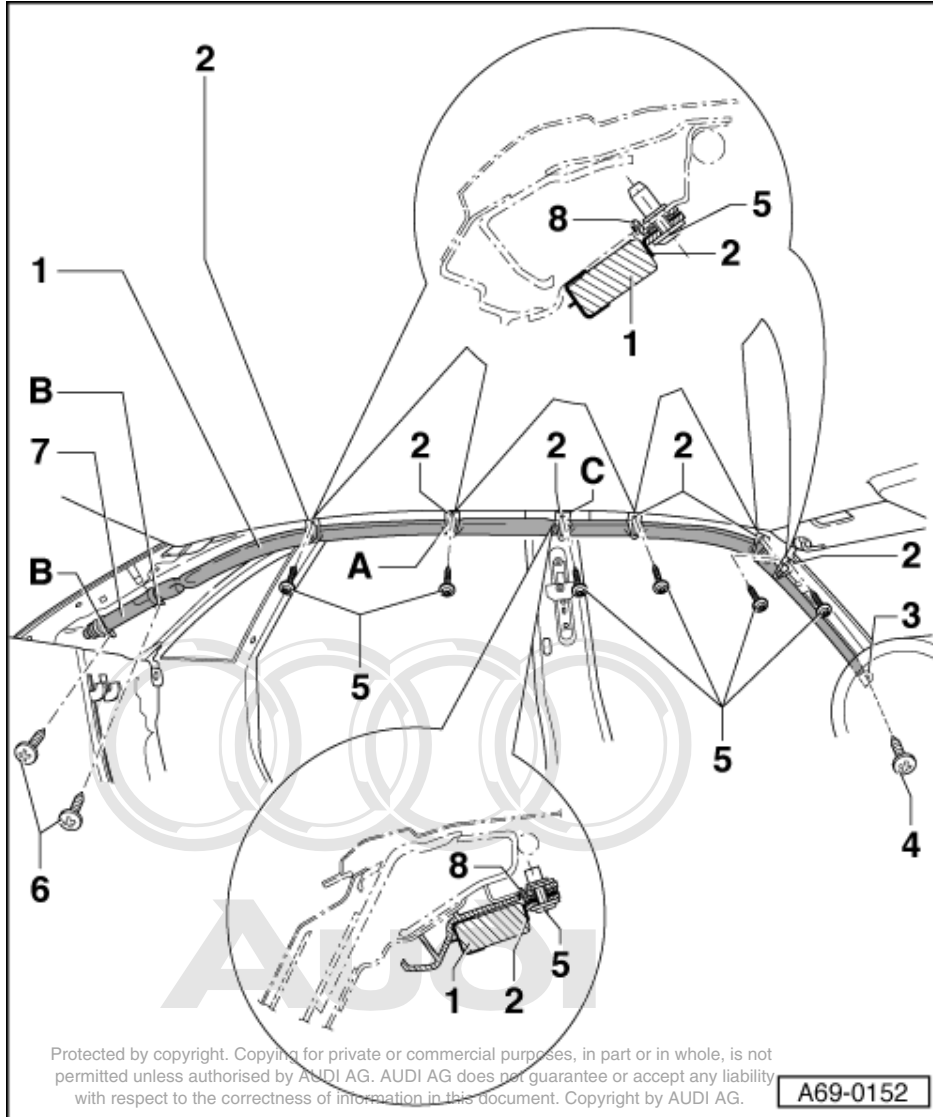


Important=>

**1 Head airbag**

♦ **Removing**

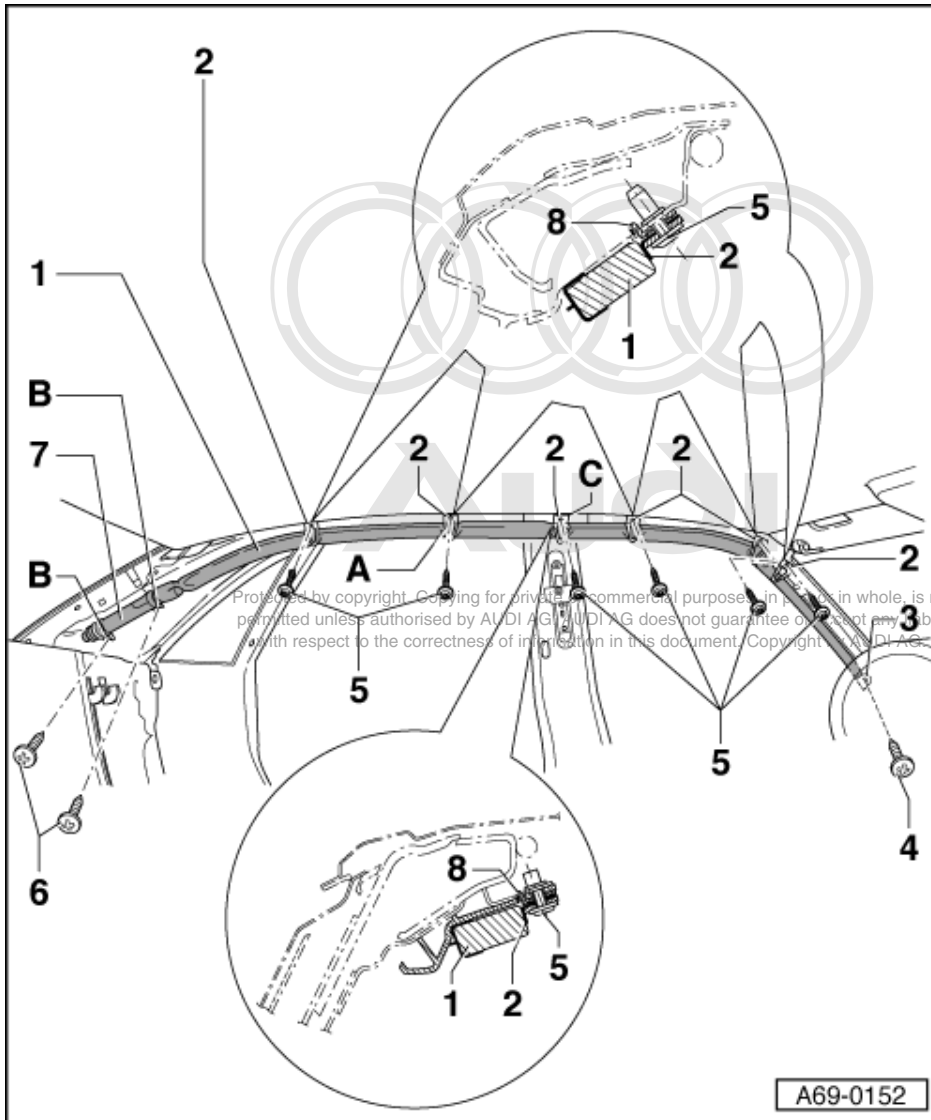
- In vehicles with encoded radio/radio-navigation system (RNS) Refer to code; if necessary, establish.
- Detach battery earthing strap/cable, cover over negative terminal.
- Remove D-pillar trim => Page **233** .



- Remove upper A-pillar trim => Page **214**
- Detach connector for head airbag  
=> Fig.: **4** .
- Unscrew bolts -4- and -5-.
- Unscrew bolts -6- (4x).
- Lay aside gas generator on rear shelf.
- Take holders -2- (6x) out of roof frame.
- Take hold of strap -3- and form a loop with gas generator -7-.
- Take head airbag -1- out of vehicle.

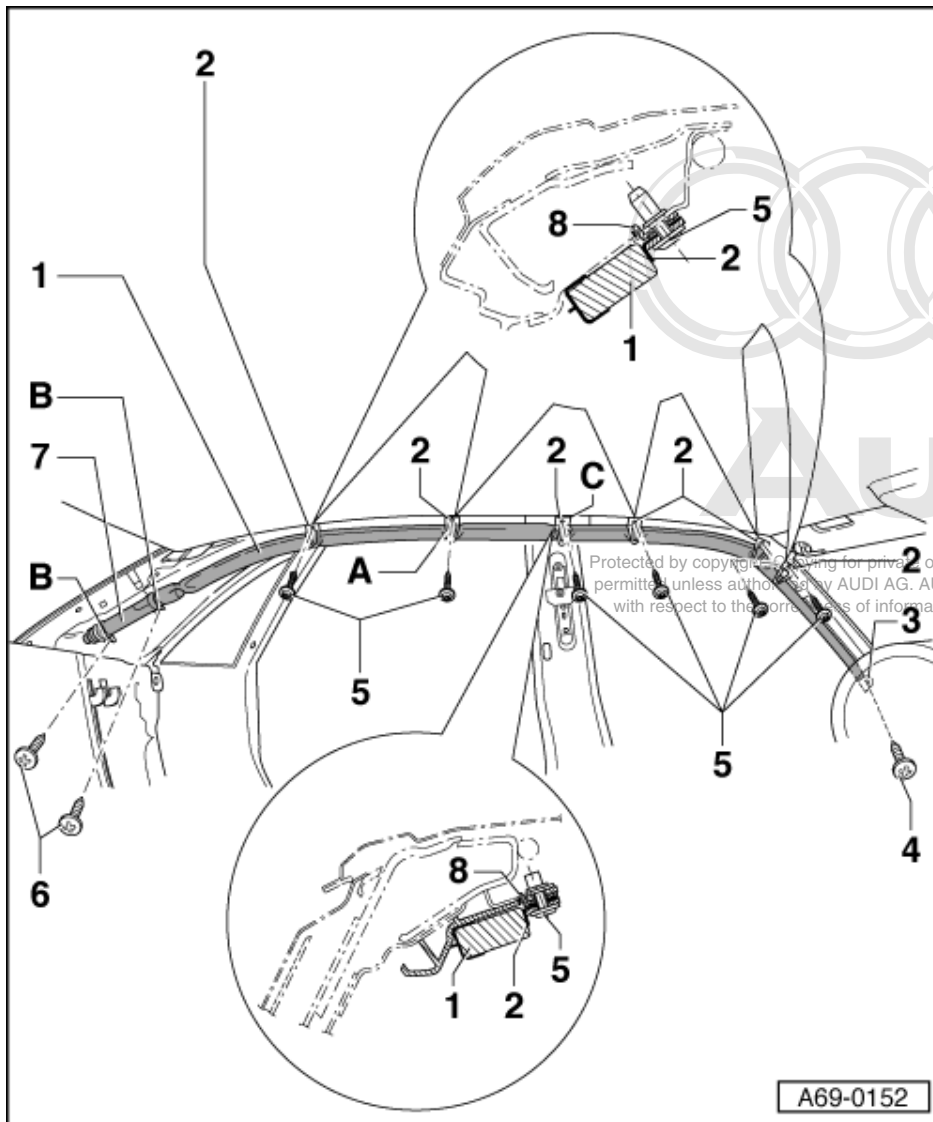
**Important**  
 Always observe installation sequence of head airbag





◆ Installing

- Take head airbag -1- as a loop out of transport container and attach head airbag -1- in following sequence while holding gas generator with one hand.
- First insert holder -2- at A with locating pin -8- in mounts then insert further holders -2- working towards the rear.
- Screw in bolts -6- (2x) at B => Fig.: 1 .
- Detach strap -3- from gas generator -7-.
- Insert remaining holders -2- starting at C => Fig.: 2 .
- Screw on holders -2- with bolts -5- (6x).



Protected by copyright. Copying for private or commercial purposes, in part or in whole, is not permitted, unless authorized by AUDI AG. AUDI AG does not guarantee or accept any liability with respect to the correctness of information in this document. Copyright by AUDI AG.

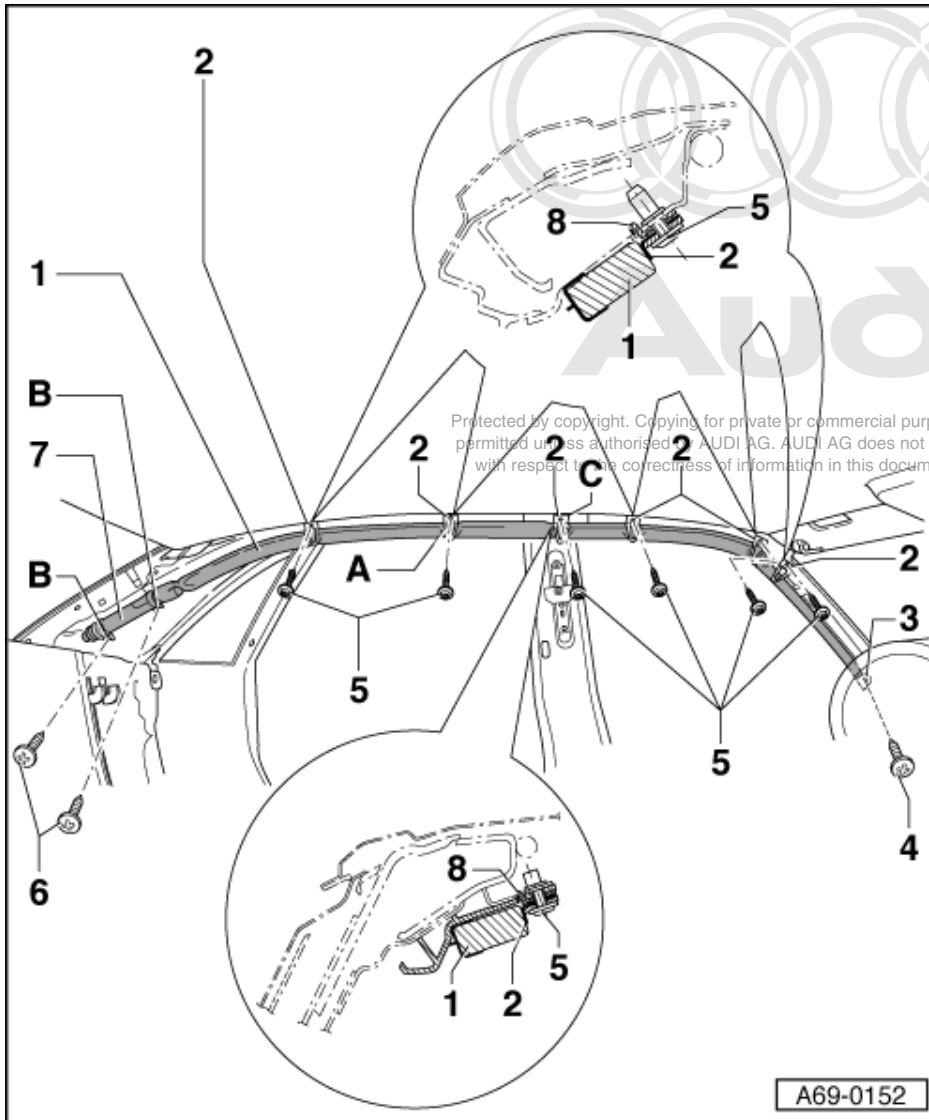
- Screw in bolt -4- at strap -3- => Fig: 3 .
- Remainder of installation is carried out in reverse order of removal.
- Switch ignition on.

**Important**

There must be no-one in the vehicle when the battery is being connected.

- Connect battery.

- 2 Holder (6x)**
- 3 Strap**
- 4 Bolt - 5.5 Nm**
  - ◆ Self-locking
  - ◆ Replace



Protected by copyright. Copying for private or commercial purposes, in part or in whole, is not permitted unless authorised by AUDI AG. AUDI AG does not guarantee or accept any liability with respect to the correctness of information in this document. Copyright by AUDI AG.

**5 Bolt - 5.5 Nm**

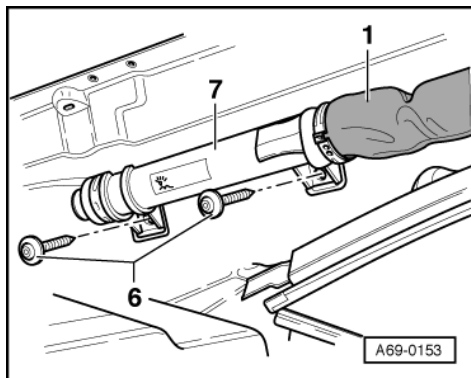
- ◆ 6 off
- ◆ Self-locking
- ◆ Replace

**6 Bolt - 5.5 Nm**

- ◆ 2 off
- ◆ Self-locking
- ◆ Replace
- ◆ Use VAS 5122 and V.A.G 1783

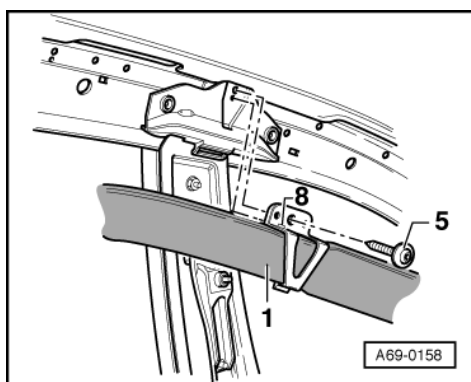
**7 Gas generator**

**8 Locating pin**



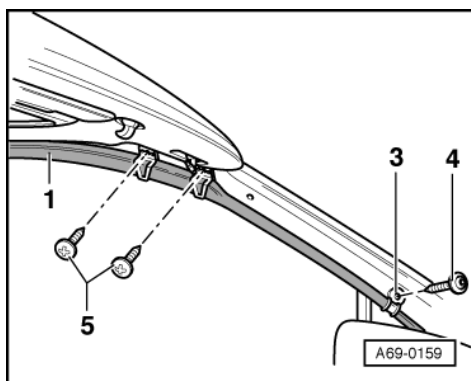
**Fig.:1 Gas generator at D-pillar**

- Screw in bolts -6-.
- ♦ Use VAS 5122 and V.A.G 1783
- Tightening torque 5.5 Nm.
- 7 - Gas generator



**Fig.:2 Attachment of head airbag at B-pillar**

- 1 - Head airbag
- 8 - Insert locating pin beneath threaded hole in guide hole.
- Screw in bolts -5-.
- Tightening torque 5.5 Nm.



Protected by copyright. Copying for private or commercial purposes, in part or in whole, is not permitted unless authorised by AUDI AG. AUDI AG does not guarantee or accept any liability with respect to the correctness of information in this document. Copyright by AUDI AG.

Fig.:3 Attachment of head airbag at A-pillar

- 1 - Head airbag
- Screw in bolts -5-.
- Tightening torque 5.5 Nm.
- 3 - Strap
- Screw in bolt -4-.
- Tightening torque 5.5 Nm.
- Take care not to twist module when screwing in bolt -4-.

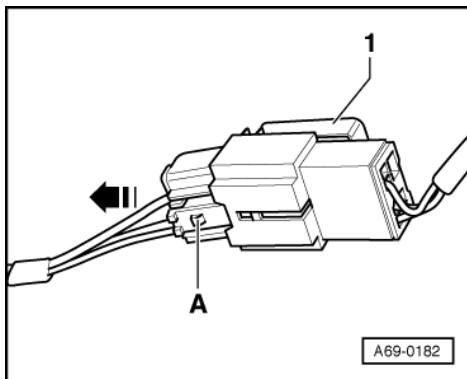


Fig.:4 Detaching connector for head airbag

- -> Press release -A- and unplug connector in direction of arrow.
- Use screwdriver to lever out clip -1-.

**Notes:**

- ◆ After connecting the battery, please ensure that the vehicle accessories (radio, clock, electric window lifters) are checked according to workshop manual and/or operating instructions.

=> Electrical System; Repair group 27; Battery Battery

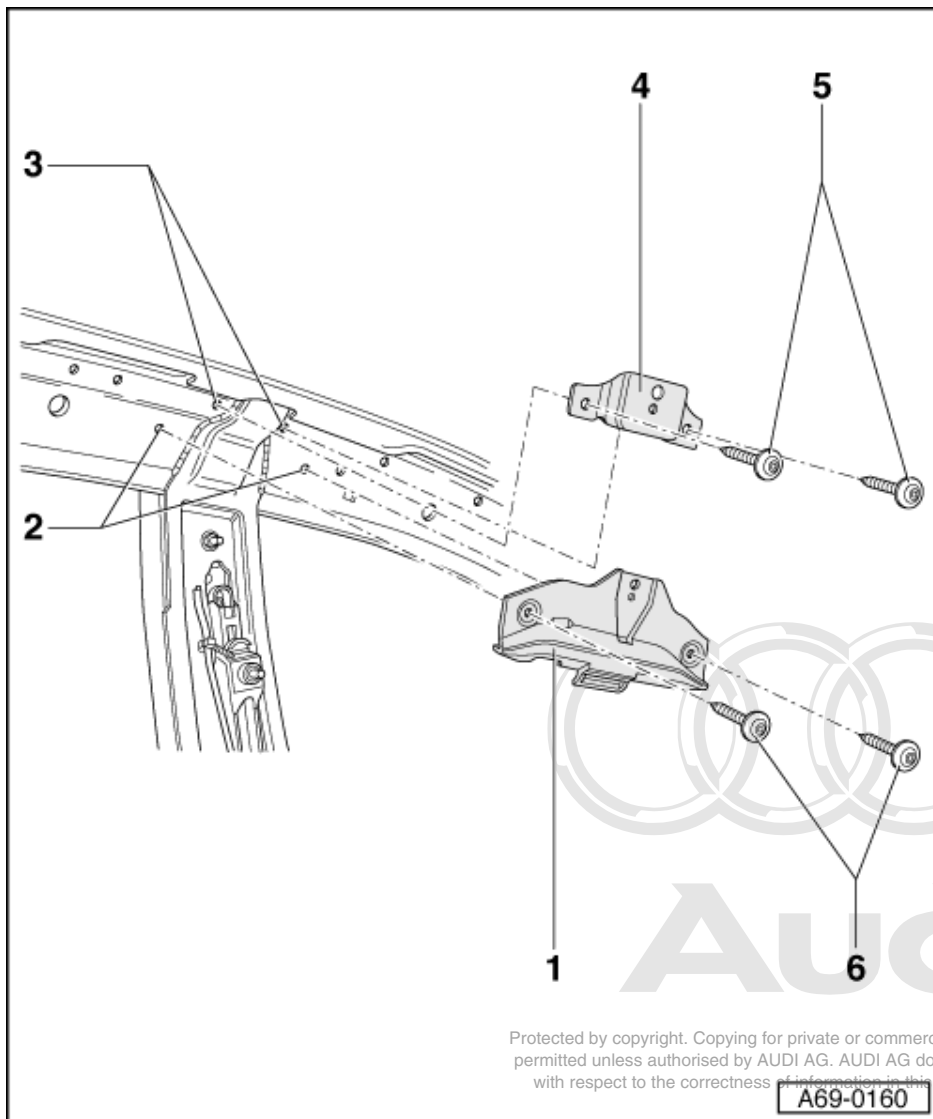
- ◆ If the fault warning light (K 75) for airbag signals a fault after assembly the fault memory must be erased and again be interrogated by using fault reader V.A.G 1551.

=> Body Self-diagnosis; Repair group 01



Protected by copyright. Copying for private or commercial purposes, in part or in whole, is not permitted unless authorised by AUDI AG. AUDI AG does not guarantee or accept any liability with respect to the correctness of information in this document. Copyright by AUDI AG.

### 9.3 - Removing and installing head airbag guide



#### 1 Head airbag guide

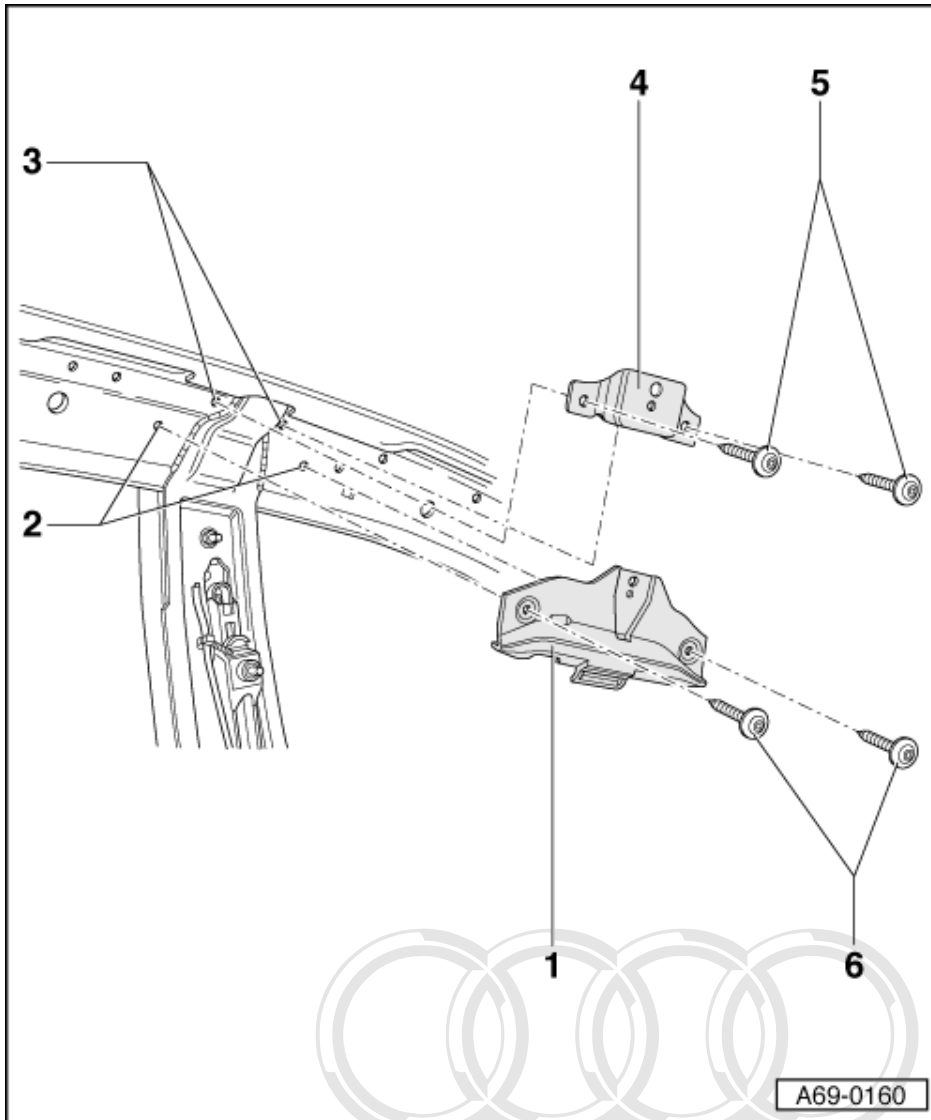
- Remove head airbag => Page 159 .
- Remove bolts -6- (2x).

#### 2 Threaded bushings (2x)

#### 3 Threaded bushings (2x)

#### 4 Head airbag bracket

- Remove head airbag => Page 159 .
- Remove head airbag guide.
- Remove bolts -5- (2x).



- 5 Bolt - 5.5 Nm**
- ◆ 2 off
  - ◆ Self-locking
  - ◆ Replace
- 6 Bolt - 5.5 Nm**
- ◆ 2 off
  - ◆ Self-locking
  - ◆ Replace

Protected by copyright. Copying for private or commercial purposes, in part or in whole, is not permitted unless authorised by AUDI AG. AUDI AG does not guarantee or accept any liability with respect to the correctness of information in this document. Copyright by AUDI AG.

## 10 - Deactivating rear side airbag

### 10.1 - Deactivating rear side airbag

### 10.2 - Deactivating and activating rear side airbags

Deactivation:

**Notes:**

*The left and right side airbags can only be deactivated jointly. A separate deactivation is not possible.*

*For vehicles with airbag 8 the display shows Airbag front + side or Airbag front + head.*

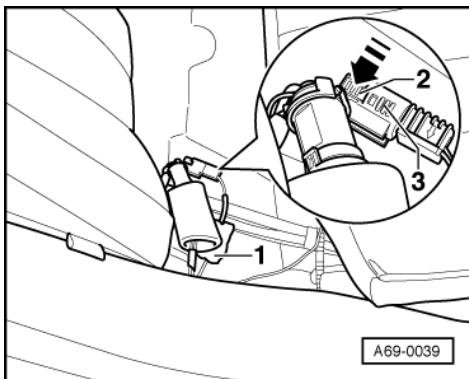
*On vehicles with airbag 8 rear side airbag cannot be deactivated after an accident involving airbag/belt tensioner triggering as control unit cannot be re-encoded (if necessary, replace control unit).*

**Important**

Observe safety precautions for working on airbag =>

Protected by copyright. Copying for private or commercial purposes, in part or in whole, is not permitted unless authorised by AUDI AG. AUDI AG does not guarantee or accept any liability with respect to the accuracy of the information in this document. Copyright by AUDI AG.

- Refer to coding on vehicles with encoded radio/radio navigation system (RNS); if necessary, interrogate.
- Detach battery earthing strap/cable and cover negative terminal.
- Remove rear bench seat => Page 330 .



♦ -> Installation position of orange connectors -3- for side airbag: Left and right next to C-pillar

- Push back foam sheath -1-.
- Press catch -2- and detach orange connectors on left and right for side airbag.
- Secure loose connectors with cable ties.
- Fit rear bench seat.
- Attach stickers for deactivated side airbags => Page 172 .
- Re-encode airbag control unit:

=> Body, Self-diagnosis; Repair group 01; Self-diagnosis of Airbag System; Coding Control Unit Self-diagnosis of Airbag System Coding Control Unit

When side airbags have been deactivated, the card accompanying sticker must be completed and forwarded to appropriate sales centre or importer for registration. Workshop deactivation of side airbags is also to be confirmed in service schedule.

The second registration card must be retained by the customer until the side airbag is reactivated (vehicle wallet).



## Activation

### Notes:

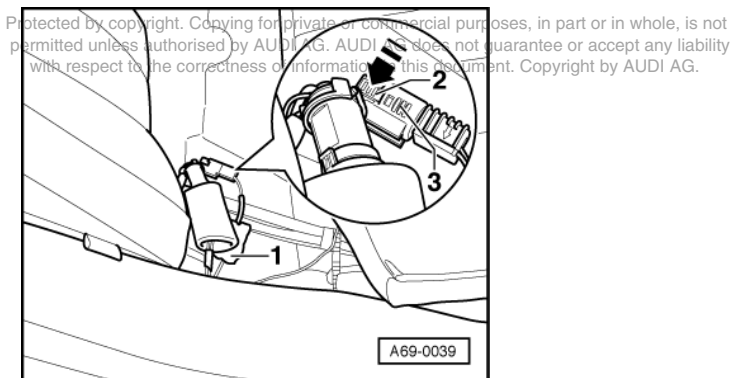
For vehicles with airbag 8 the display shows Airbag front + side or Airbag front + head.

On vehicles with airbag 8 activation is not possible after an accident involving airbag/belt tensioner triggering (with rear side airbag deactivated) as control unit cannot be re-encoded (if necessary, replace control unit).

### Important

Observe safety precautions for working on airbag =>

- Refer to coding on vehicles with encoded radio/radio navigation system (RNS); if necessary, interrogate.
- Detach battery earthing strap/cable and cover negative terminal.
- Remove rear bench seat => Page 330 .



- ◆ -> Installation position of orange connectors -3- for side airbag: Left and right next to C-pillar
- Cut through connector cable ties.
- Attach connectors on both sides and fit foam sheath -1- over them.
- Fit rear bench seat.
- Switch the ignition on.

### Important

There must be no-one in the vehicle when the battery is being connected.

- Connect battery.
- Remove stickers for deactivated side airbags => Page 172 .
- Re-encode airbag control unit:

=> Body, Self-diagnosis; Repair group 01; Self-diagnosis of Airbag System; Coding Control Unit Self-diagnosis of Airbag System Coding Control Unit

- Fill in registration card and forward it to appropriate sales centre/importer for registration.

### 10.3 - Deactivating and activating rear side airbag with electrically adjustable individual seats

#### Deactivation:

#### Notes:

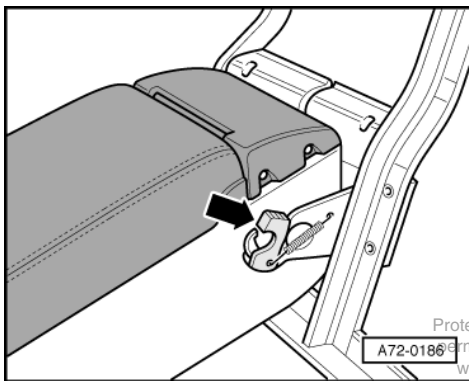
*The left and right side airbags can only be jointly deactivated. A separate deactivation is not possible.*

*For vehicles with airbag 8 the display shows Airbag front + side or Airbag front + head.*

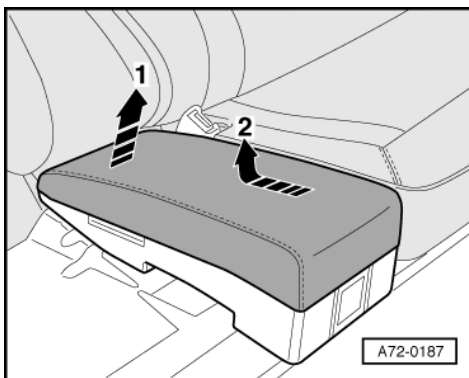
*On vehicles with airbag 8 rear side airbag cannot be deactivated after an accident involving airbag/belt tensioner triggering as control unit cannot be re-encoded (if necessary, replace control unit).*

**Important**  
Observe safety precautions for working on airbag =>

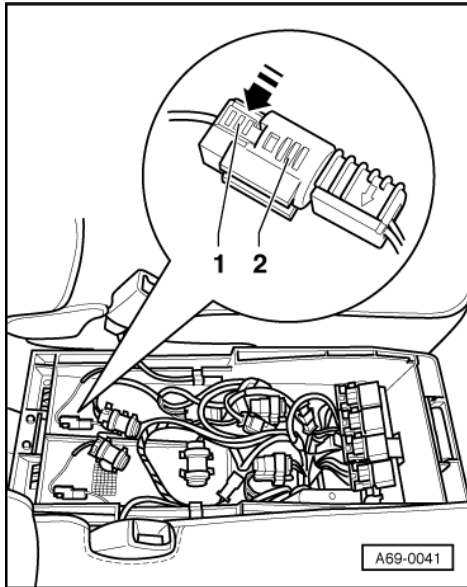
- Refer to coding on vehicles with encoded radio/radio navigation system (RNS); if necessary, interrogate.



- Detach battery earthing strap/cable and cover negative terminal.
- Fold armrest forwards.
- -> Press back catch on either side of armrest in direction of arrow and detach armrest.



- -> Pull up rear edge of centre upholstery -arrow 1-.
- Push centre upholstery rearwards -arrow 2- and detach.



- -> Press catch -1- and detach yellow and orange connectors -2- for side airbag on left and right.
- Secure loose connectors with cable ties.
- Fit centre upholstery.
- Switch the ignition on.

**Important**

There must be no-one in the vehicle when the battery is being connected.

- Connect battery.
- Attach stickers for deactivated side airbags => Page 172 .
- Re-encode airbag control unit:

=> Body, Self-diagnosis; Repair group 01; Self-diagnosis of Airbag System; Coding Control Unit Self-diagnosis of Airbag System Coding Control Unit

When side airbags have been deactivated, the card accompanying sticker must be completed and forwarded to appropriate sales centre or importer for registration. Workshop deactivation of side airbags is also to be confirmed in service schedule.

The second registration card must be retained by the customer until the side airbag is reactivated (vehicle wallet).

**Activation**

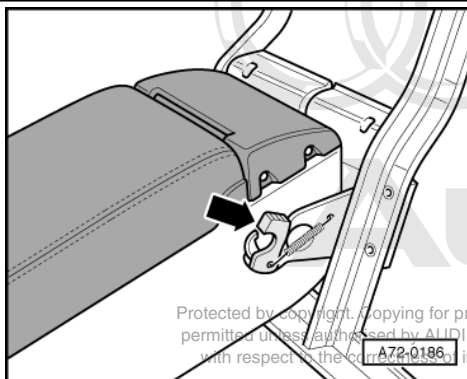
**Notes:**

*For vehicles with airbag 8 the display shows Airbag front + side or Airbag front + head.*

*On vehicles with airbag 8 activation is not possible after an accident involving airbag/belt tensioner triggering (with rear side airbag deactivated) as control unit cannot be re-encoded (if necessary, replace control unit).*

**Important**

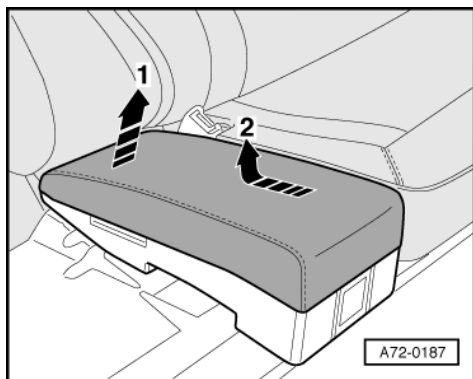
Observe safety precautions for working on airbag =>



Protected by copyright. Copying for private or commercial purposes, in part or in whole, is not permitted unless authorised by AUDI AG. AUDI AG does not guarantee or accept any liability with respect to the correctness of the information in this document. Copyright by AUDI AG.



- Refer to coding on vehicles with encoded radio/radio navigation system (RNS); if necessary, interrogate.
- Detach battery earthing strap/cable and cover negative terminal.
- Fold armrest forwards.
- -> Press back catch on either side of armrest in direction of arrow and detach armrest.



- -> Pull up rear edge of centre upholstery -arrow 1-.
- Slide centre upholstery rearwards -arrow 2- and detach.
- Cut through connector cable ties.
- Attach connectors.
  
- Fit centre upholstery.
- Switch the ignition on.

**Important**

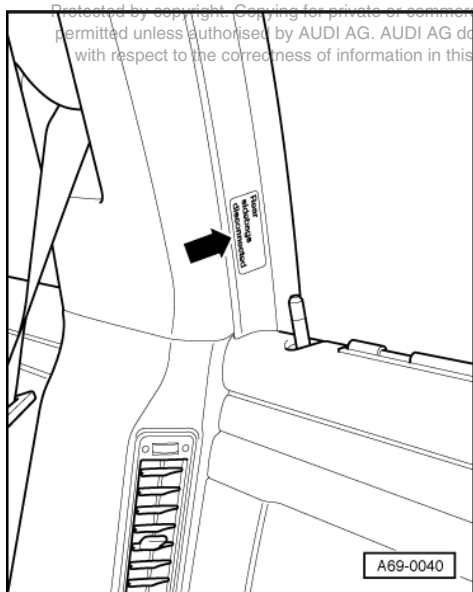
There must be no-one in the vehicle when the battery is being connected.

- Connect battery.
- Remove stickers for deactivated side airbags => Page 172 .
- Re-encode airbag control unit:

=> Body, Self-diagnosis; Repair group 01; Self-diagnosis of Airbag System; Coding Control Unit Self-diagnosis of Airbag System Coding Control Unit

- Fill in registration card and forward it to appropriate sales centre/importer for registration.

**Attaching and removing stickers for deactivated rear side airbags**



- -> Attach stickers for deactivated side airbags on left and right rear door frames -arrow-.

**Note:**

*If several stickers have to be affixed in a particular country attach them above the one shown in the illustration.*

- After pulling off stickers use cleaning agent to remove any residual adhesive from door frames.



Protected by copyright. Copying for private or commercial purposes, in part or in whole, is not permitted unless authorised by AUDI AG. AUDI AG does not guarantee or accept any liability with respect to the correctness of information in this document. Copyright by AUDI AG.



## 70 - Trim/Insulation

### 1 - Contact corrosion

#### 1.1 - Contact corrosion

Contact corrosion can occur if non approved fasteners are used on the vehicle (bolts, nuts, washers etc.).

For this reason, all the fasteners used in production are specially treated. These components can be identified by their greenish surface finish.

In addition to this, all rubber and plastic parts and all adhesives are made of non-electrically conductive materials.

If you are not sure whether used parts can be refitted, always fit new parts.

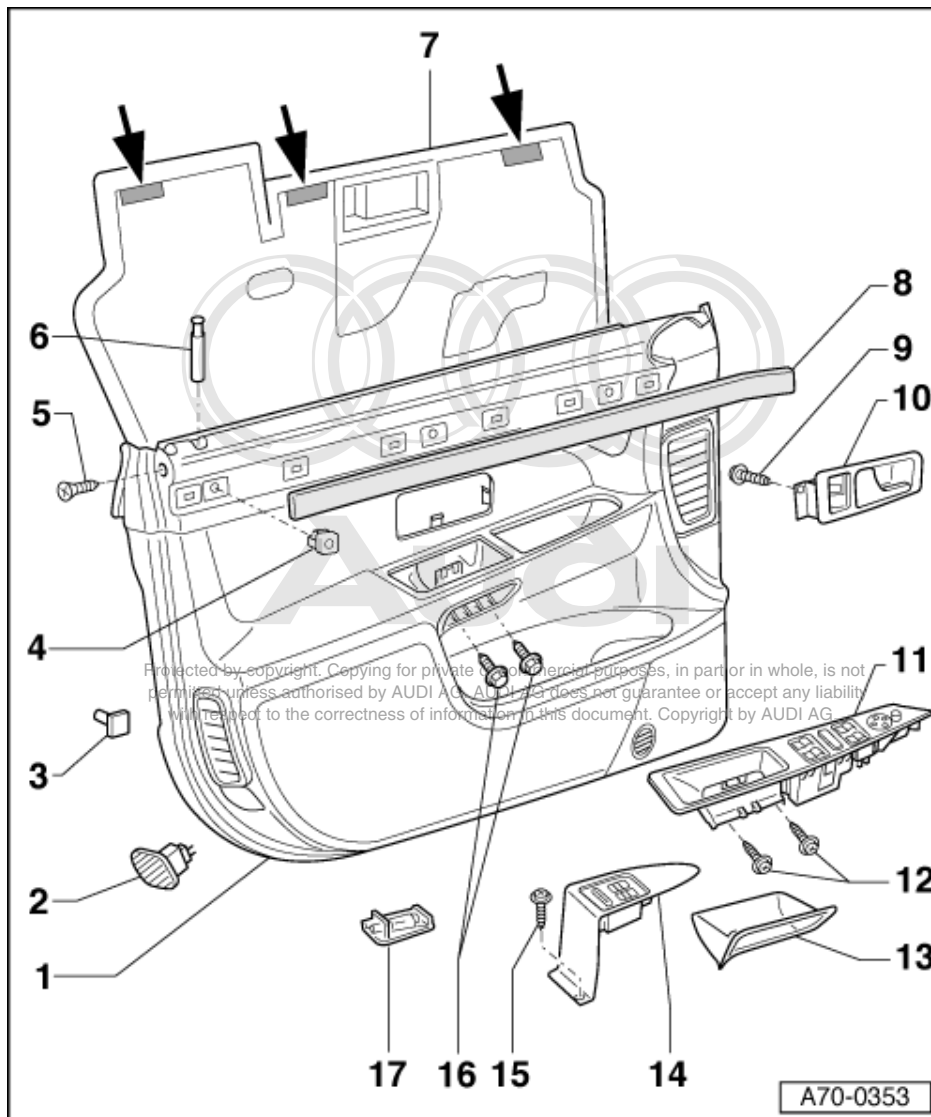
#### Important

- ◆ **Use only genuine Audi A8 Parts.**
- ◆ **Accessories must be approved by AUDI AG.**
- ◆ **Damage resulting from contact corrosion is not covered by the warranty.**

Protected by copyright. Copying for private or commercial purposes, in part or in whole, is not permitted unless authorised by AUDI AG. AUDI AG does not guarantee or accept any liability with respect to the correctness of information in this document. Copyright by AUDI AG.

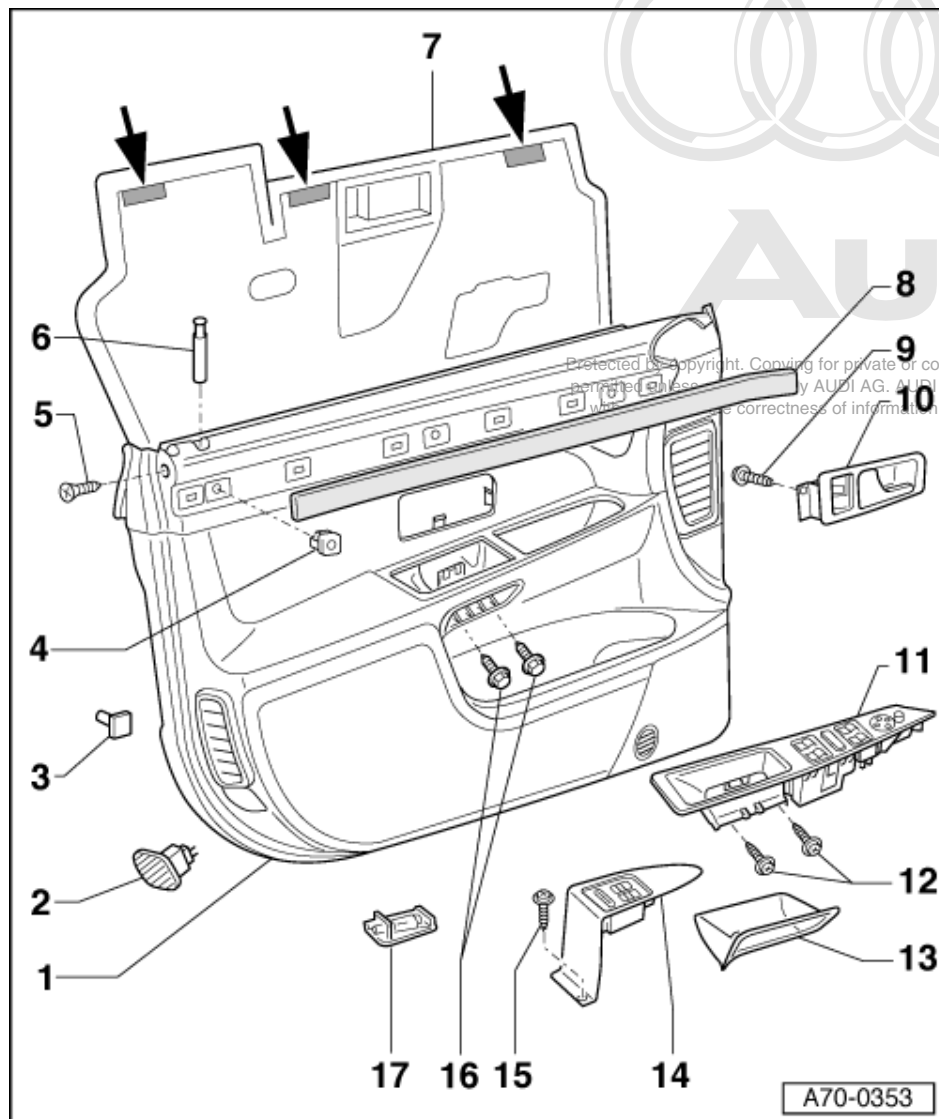
## 2 - Front door trims

### 2.1 - Front door trims



### 2.2 - Fitting locations - Exploded view

- 1 **Door trim**
  - ◆ Removing => Page 178
- 2 **Door warning light**
  - ◆ Clipped into door frame
- 3 **Retaining clip**
  - ◆ For door trim
- 4 **Expanding clip**
  - ◆ To remove press pin inwards approx. 4 mm
  - ◆ To install press in pin from front until it engages
  - ◆ Depending on date of manufacture cross-head screws may be fitted instead of expanding clips



5 Cross-head screw - 1.7 Nm

6 Locking knob

7 Insulation

- ◆ Attach at bonding points -arrows- with double-sided adhesive tape

8 Panel

- ◆ Attached to door trim
- ◆ Prise off carefully

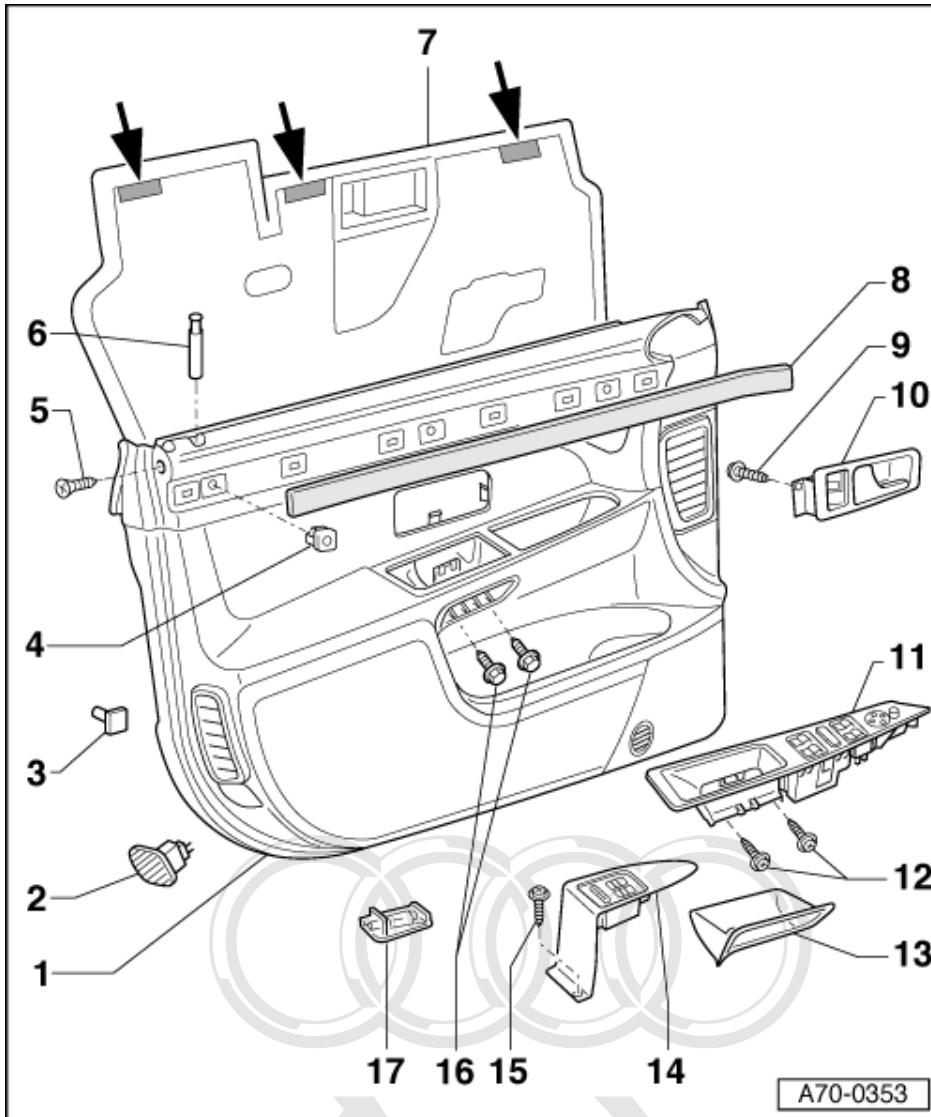
9 Cross-head screw - 1.8 Nm

10 Inside door control

11 Upper section of grip moulding

- ◆ With switch mount
- ◆ To remove take out bottom part of recessed handle moulding and screw out bolts -Item 12 -
- ◆ Illustration shows one-piece version





**12 Cross-head screw - 1.8 Nm**

- ◆ 2 off

**13 Bottom part of recessed handle moulding**

**14 Lower switch mount**

**15 Cross-head screw**

**16 Hexagon bolt - 4.6 Nm**

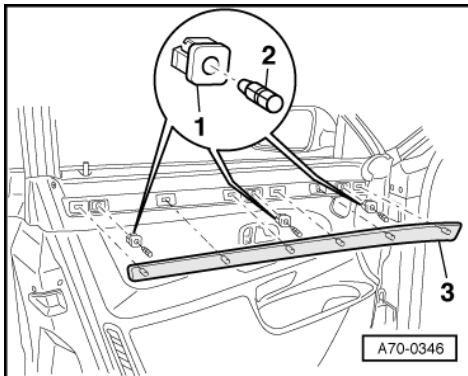
- ◆ 2 off

**17 Entry light**

- ◆ Clipped into door frame

## 2.3 - Removing and installing front door trim

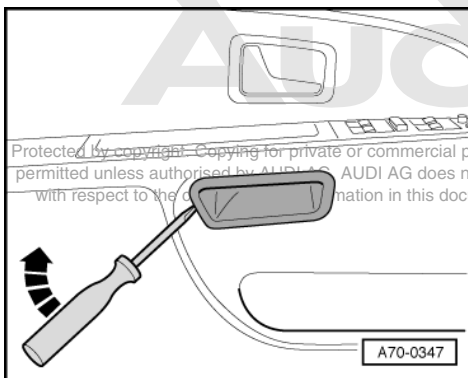
### Removing



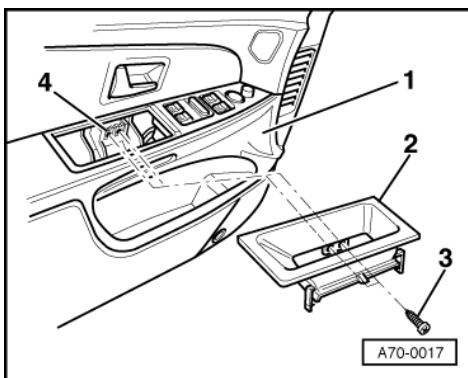
- -> Carefully lever cover strip -3- out of fasteners at door trim.
- Press pin -1- on expanding clips -2- in by about 4 mm and detach expanding clips.

### Notes:

- ◆ Do not press pins completely out to remove door trim.
- ◆ Depending on date of manufacture cross-head screws may be fitted instead of expanding clips



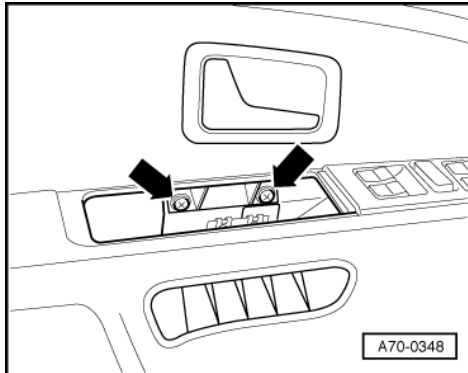
- -> Use blunt screwdriver to lever off bottom part of recessed handle moulding -arrow-.
- Take bottom part of recessed handle moulding out of door trim.



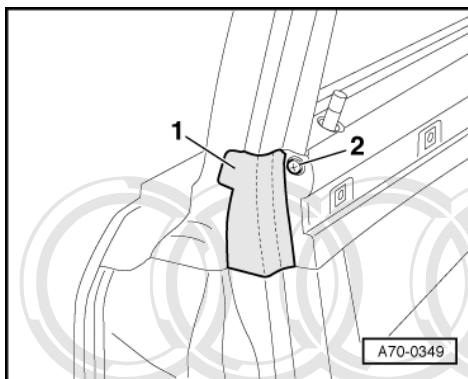
- -> Screw out bolts -3- for top part of recessed handle moulding -2-.
- Lift top part of recessed handle moulding out of door trim -1-.

**Note:**

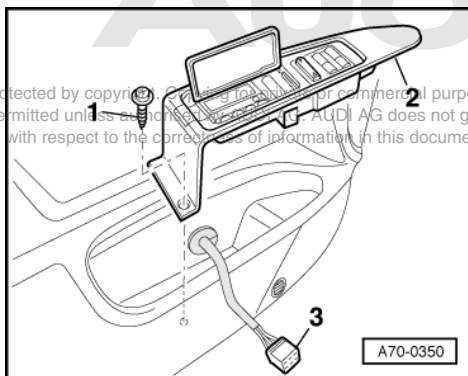
*With one-piece top part of recessed handle moulding front section of top part (with switches) has to be additionally unclipped from door trim and connector detached.*



- -> Remove cross-head screws -arrows-.

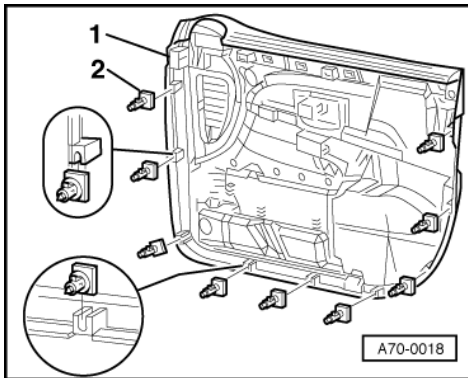


- -> Screw out cross-head screw -2-.
- Detach bonding of rear filler piece -1- at window frame.



Protected by copyright. Copying for advertising or commercial purposes, in part or in whole, is not permitted unless authorized by Audi AG. Audi AG does not guarantee or accept any liability with respect to the correctness of information in this document. Copyright by Audi AG.

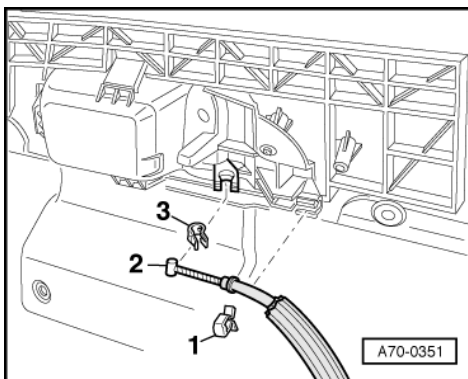
- -> On vehicles with memory function and/or auxiliary heater, screw out cross-head screw -1- of switch mount -2- at door trim.
- Take out switch mount and detach connectors -3-.



- -> Unclip door trim -1- from carrier for door components.

2 - Retaining clips for door trim

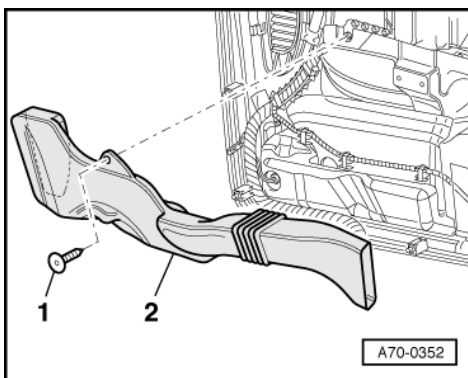
- Lift out door trim over locking knob.
- Tilt door trim and unplug connector from driver's inside locking mechanism switch.



- -> Prise clip -1- off Bowden cable -2- of door opener.
- Detach nipple of Bowden cable with retaining clip -3- at door opener.

**Note:**

*Take care not to lose Bowden cable retaining clip.*



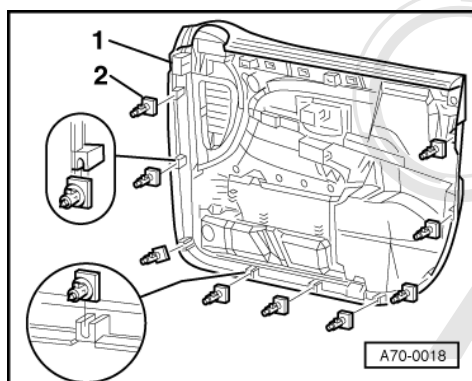
- -> Unfasten clip -1- of air duct -2- at door trim.
- Detach all connectors of wiring harness in door trim.
- Detach wiring harness fasteners.



Protected by copyright. Copying for private or commercial purposes, in part or in whole, is not permitted unless authorised by AUDI AG. AUDI AG does not guarantee or accept any liability with respect to the correctness of information in this document. Copyright by AUDI AG.

## Installing

Installation is carried out in the reverse order; note the following:

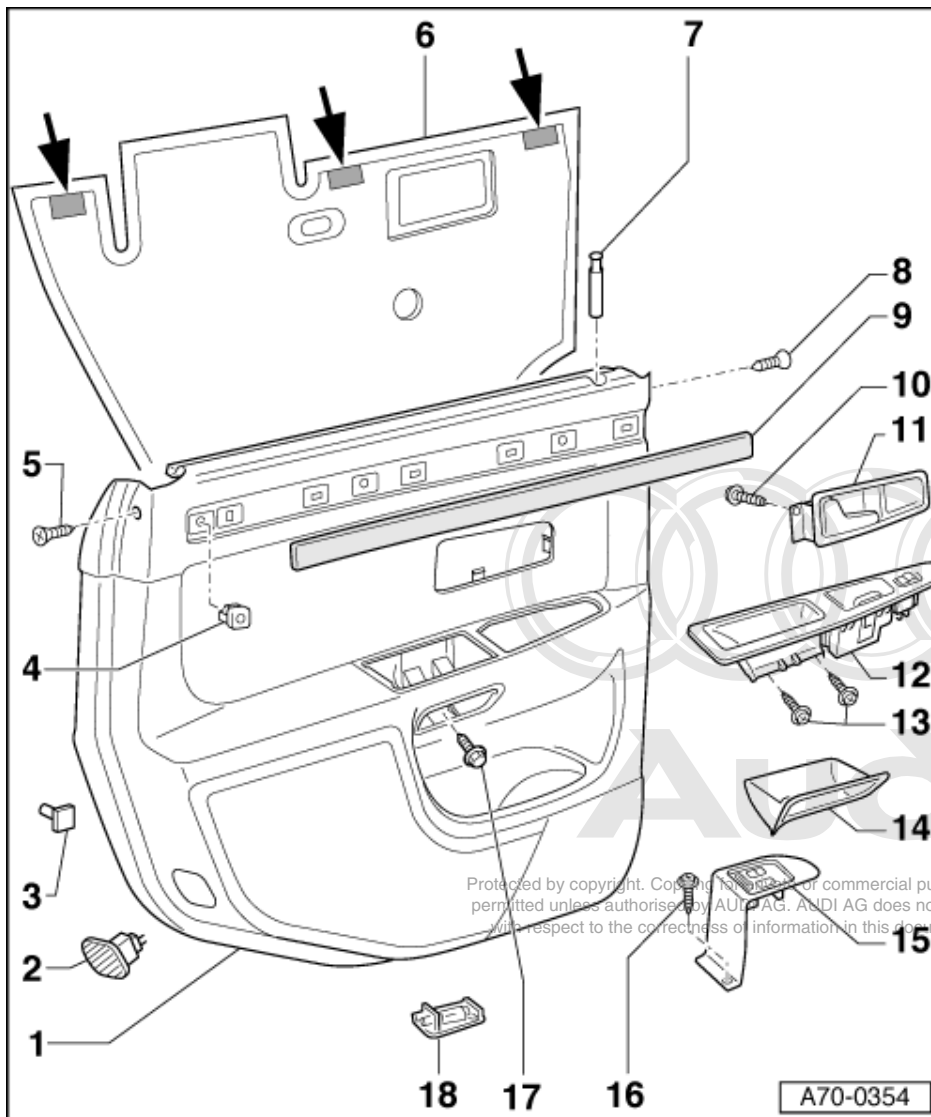


- -> Ensure that all retaining clips -2 engage properly in carrier for door components

This document is copyright © Audi AG. All rights reserved. No part of this document may be reproduced, stored in a retrieval system, or transmitted in any form or by any means, electronic, mechanical, photocopying, recording, or by any information storage and retrieval system, without the prior written permission of Audi AG. Audi AG does not guarantee or accept any liability with respect to the correctness of information in this document. Copyright by Audi AG.

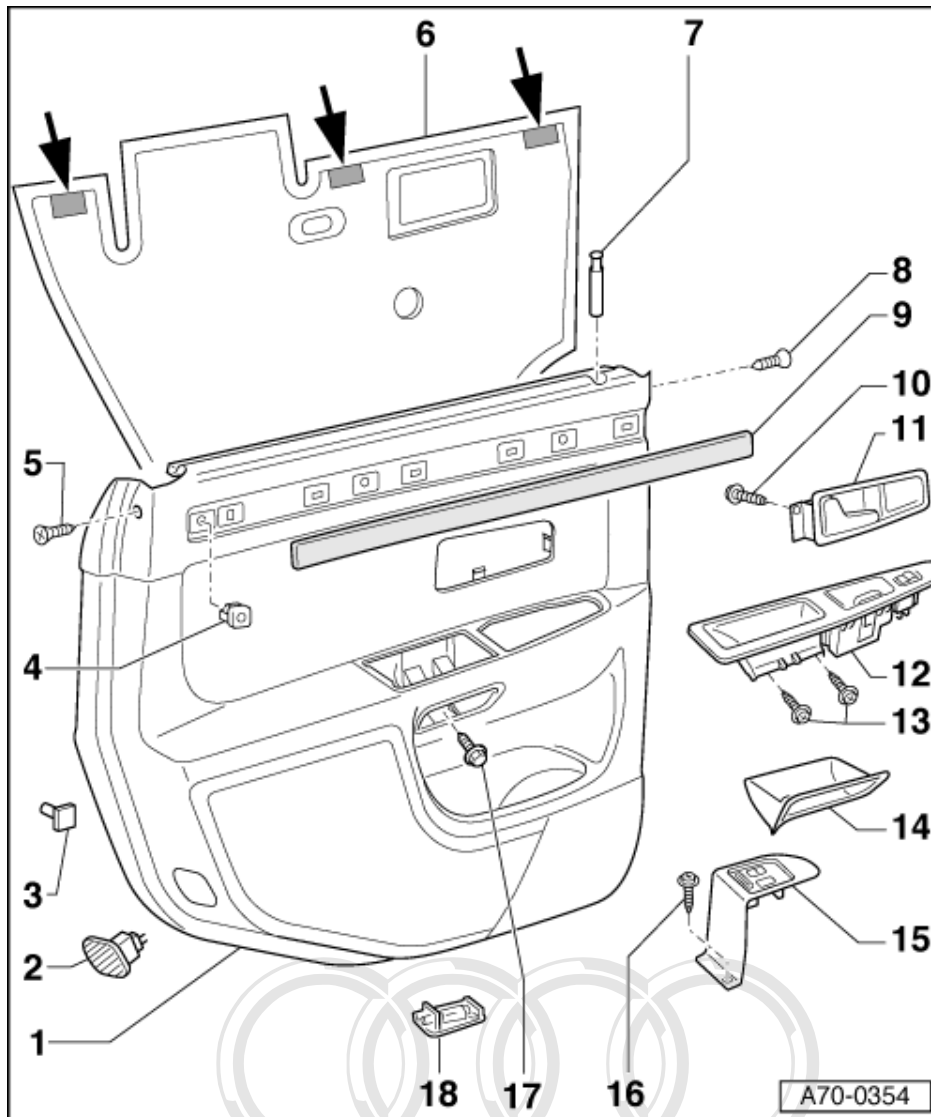
### 3 - Rear door trims

#### 3.1 - Rear door trims

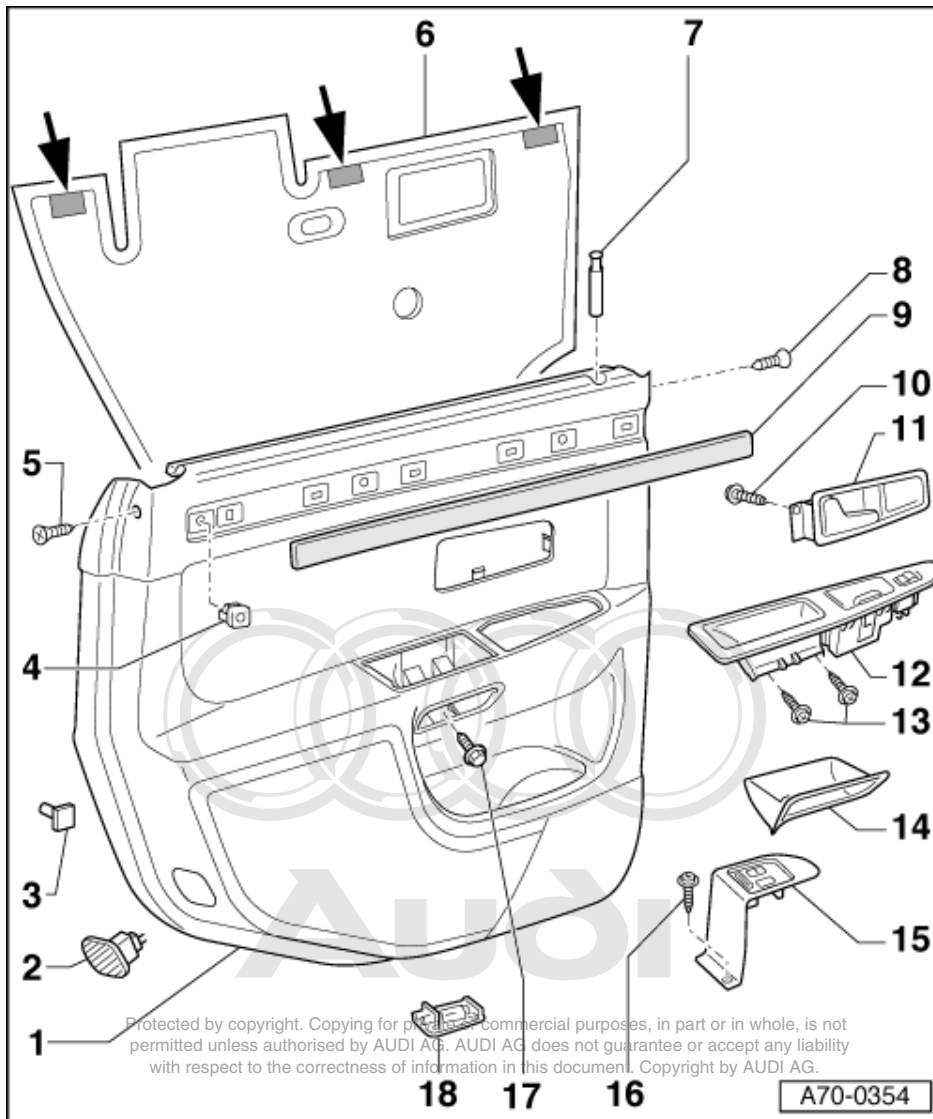


#### 3.2 - Fitting locations - Exploded view

- 1 **Door trim**
  - ◆ Removing => Page 185
- 2 **Door warning light**
  - ◆ Clipped into door frame
- 3 **Retaining clip**
  - ◆ For door trim
- 4 **Expanding clip**
  - ◆ 3 off
  - ◆ To remove press pin inwards approx. 4 mm
  - ◆ To install press in pin from front until it engages
  - ◆ Depending on date of manufacture cross-head screws may be fitted instead of expanding clips



- 5 Cross-head screw - 1.7 Nm
- 6 Insulation
  - ◆ Attach at bonding points -arrows- with double-sided adhesive tape
- 7 Locking knob
- 8 Cross-head screw - 1.7 Nm
- 9 Panel
  - ◆ Attached to door trim
  - ◆ Lever off carefully
- 10 Cross-head screw - 1.8 Nm
- 11 Inside door control



**12 Upper section of grip moulding**

- ◆ With ashtray and switch mount
- ◆ To remove take out bottom part of recessed handle moulding and screw out bolts -Item 13 -
- ◆ Illustration shows one-piece version

**13 Cross-head screw - 1.8 Nm**

- ◆ 2 off

**14 Bottom part of recessed handle moulding**

**15 Lower switch mount**

**16 Cross-head screw**

**17 Hexagon bolt - 4.6 Nm**

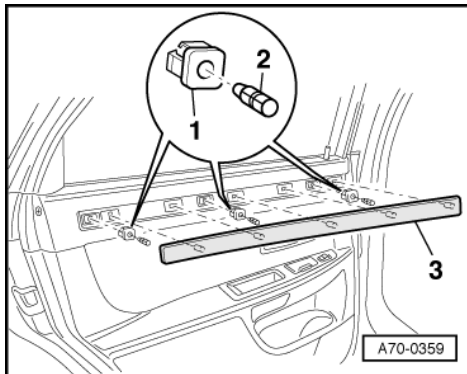
**18 Entry light**

- ◆ Clipped into door frame



### 3.3 - Removing and installing rear door trim

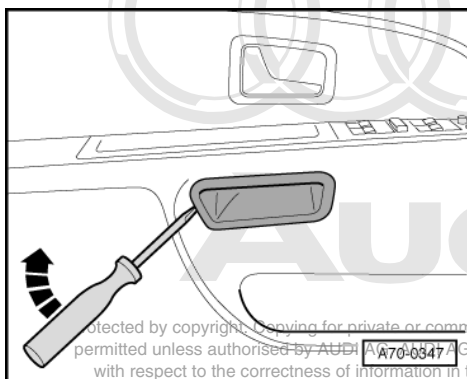
#### Removing



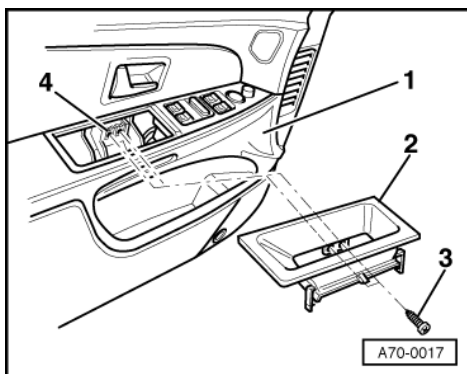
- -> Carefully lever cover strip -3- out of fasteners at door trim.
- Press pin -1- on expanding clips -2- in by about 4 mm and detach expanding clips.

#### Notes:

- ◆ Do not press pins completely out to remove door trim
- ◆ Depending on date of manufacture cross-head screws may be fitted instead of expanding clips



- -> Use blunt screwdriver to lever off bottom part of recessed handle moulding -arrow-.
- Take bottom part of recessed handle moulding out of door trim.

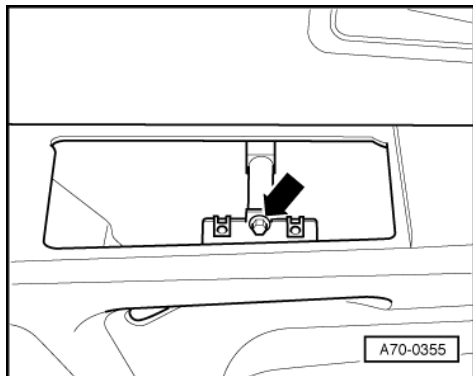


- -> Screw out bolts -3- for top part of recessed handle moulding -2-.
- Lift top part of recessed handle moulding out of door trim -1-.

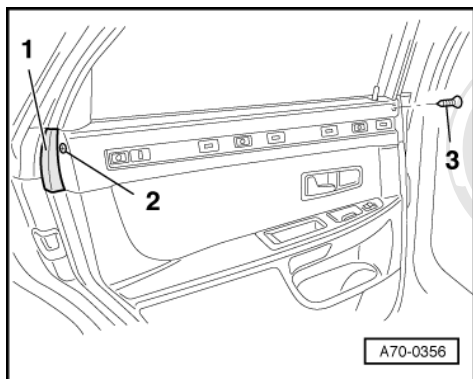


**Note:**

*With one-piece top part of recessed handle moulding front section of top part (with switches) has to be additionally unclipped from door trim and connector detached.*

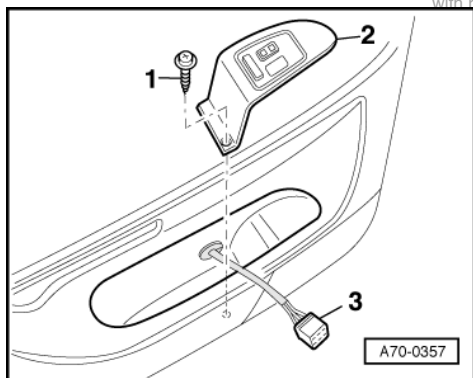


- -> Screw out hexagon -arrow-.

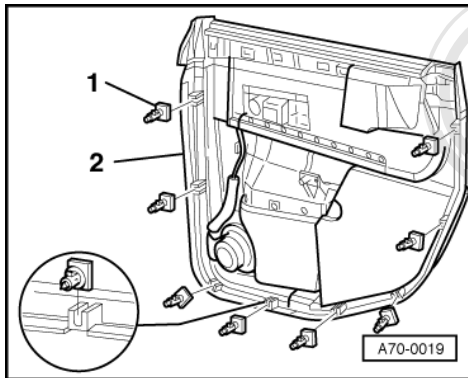


- -> Remove cross-head screws -2- and -3-.
- Detach bonding of rear filler piece -1- at window frame.

Protected by copyright. Copying for private or commercial purposes, in part or in whole, is not permitted unless authorised by AUDI AG. AUDI AG does not guarantee or accept any liability with respect to the correctness of information in this document. Copyright by AUDI AG.



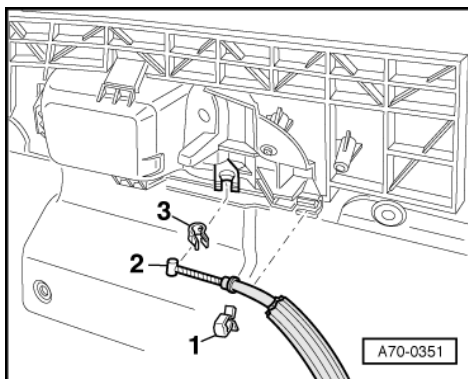
- -> On vehicles with electrically adjustable individual seats screw out cross-head screw -1- of switch mount -2- at door trim.
- Take out switch mount and detach connectors -3-.



- -> Unclip door trim -2- from carrier for door components.

1 - Retaining clips for door trim

- Lift out door trim over locking knob.



- -> Tilt door trim and lever clip -1- off Bowden cable -2- of door opener.  
- Detach nipple of Bowden cable with retaining clip -3- at door opener.

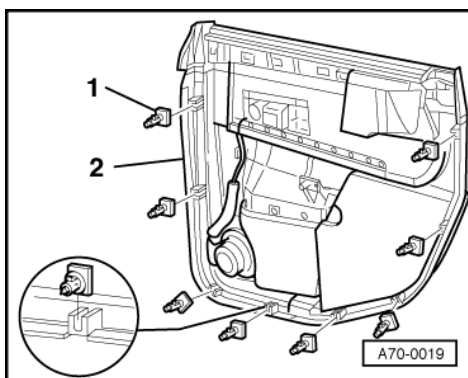
**Note:**

*Take care not to lose Bowden cable retaining clip.*

- Detach all connectors of wiring harness in door trim.  
- Take wiring harness out of door trim.

**Installing**

Installation is carried out in the reverse order; note the following:

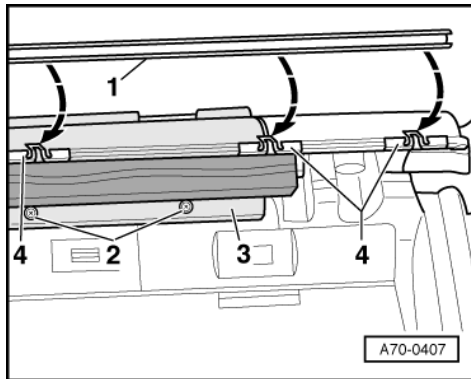


- -> Ensure that all retaining clips -2- engage properly in carrier for door components.

### 3.4 - Removing and installing rear side window sun blind

#### Removing

- Removing rear door trim => Page 185 .



- -> Pull trim strip -1- for window slot to the side.
- If necessary, detach retaining clip -4- for trim strip at joint between sun blind and door trim.
- Screw out 6 cross-head screw -2- and detach sunblind. If necessary, unfasten foam seal at edges.

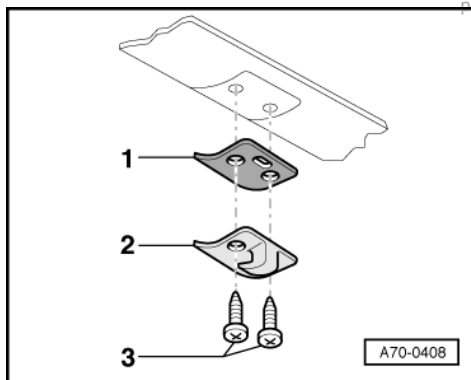
#### Installing

Installation is carried out in the reverse order; note the following:

- Tighten cross-head screws -2- with 1.5 Nm.
- Press trim strip -1- for window slot onto retaining clips -4- onto -arrows-.

### 3.5 - Removing and installing sun blind retaining hook

Protected by copyright. Copying for private or commercial purposes, in part or in whole, is not permitted unless authorised by AUDI AG. AUDI AG does not guarantee or accept any liability with respect to the correctness of information in this document. Copyright by AUDI AG.



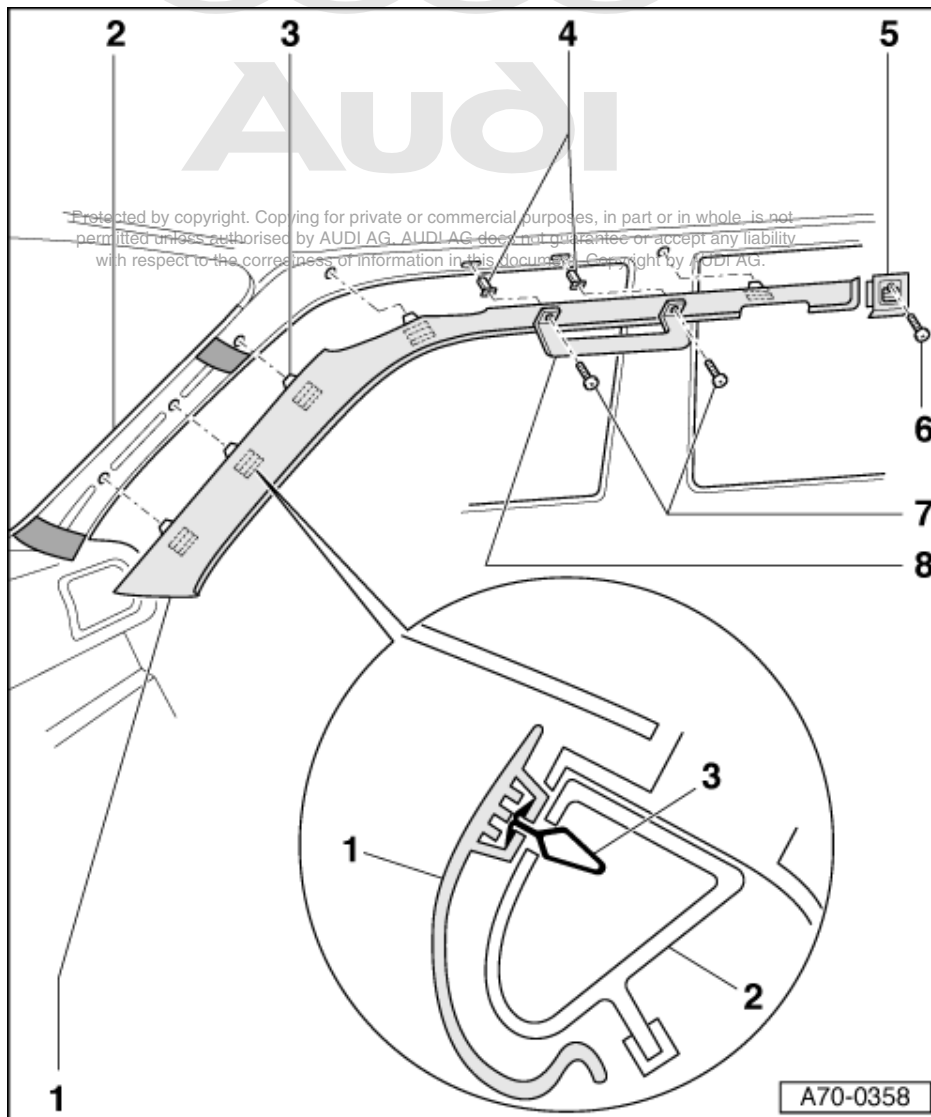
- 2 - -> Retaining hook
- 3 - Self tapping screws - 1.5 Nm

#### Note:

*Shim -1- is designed to compensate for tolerances and must be reinserted at the position where it had been fitted at the factory.*

## 4 - Trims

### 4.1 - Trims



### 4.2 - Removing and installing upper A-pillar trim

#### 1 Upper A-pillar trim

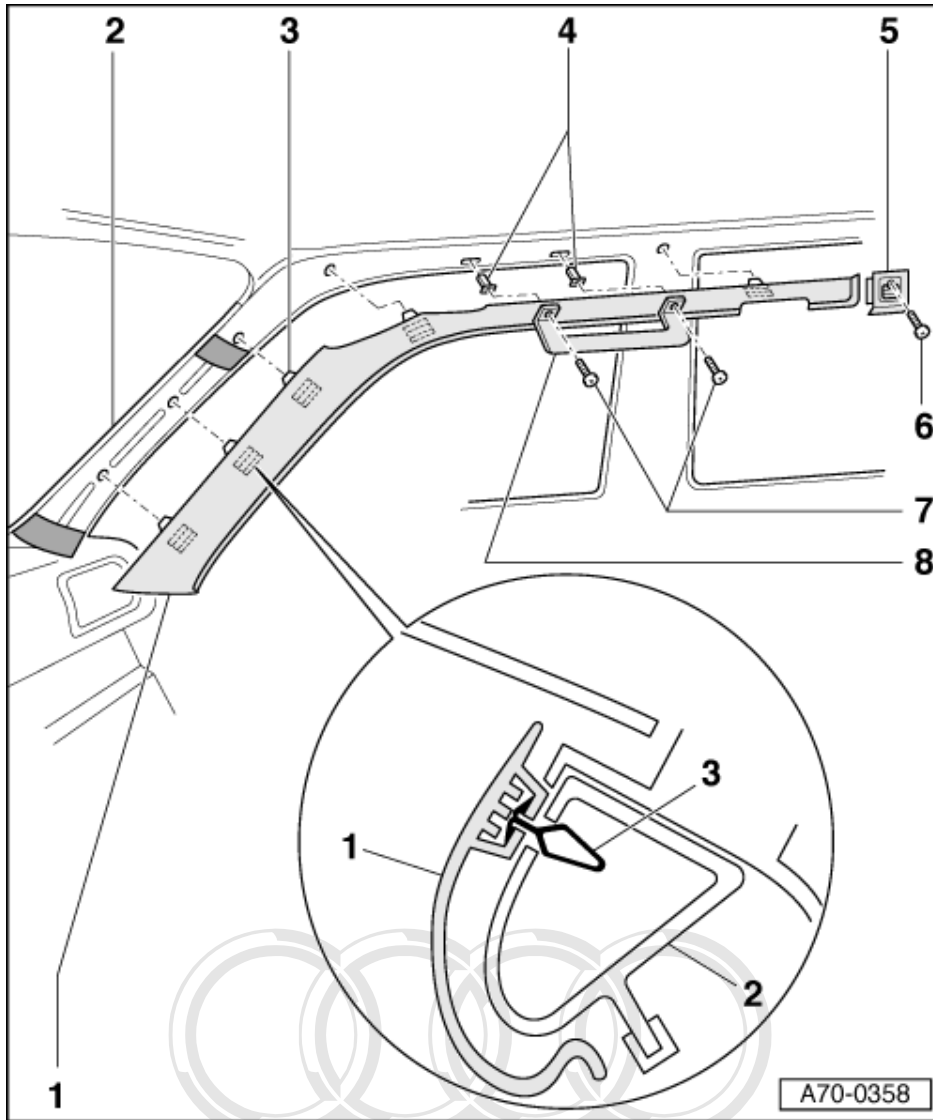
- ◆ Removing:
  - Remove coat hook -Item 199 .
  - Remove grab handle -Item 199 .
  - Detach rubber door seal in area of trim.
  - Detach trim towards centre of vehicle, starting at B-pillar.

#### 2 A-pillar

#### 3 Bracket

- ◆ Number varies depending on year of manufacture

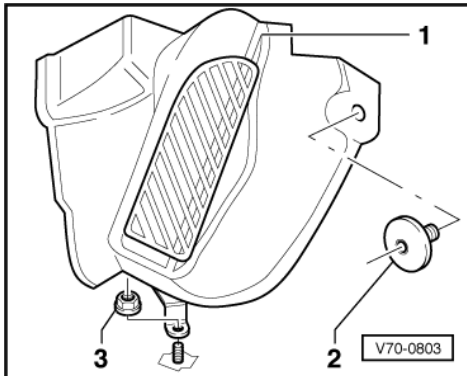
#### 4 Plug-in nut



- 5 Coat hook**
  - ◆ Removing => Page 199
- 6 Cross-head screw - 5 Nm**
- 7 Cross-head screw - 5 Nm**
  - ◆ 2 off
- 8 Front grab handle**
  - ◆ Removing => Page 199

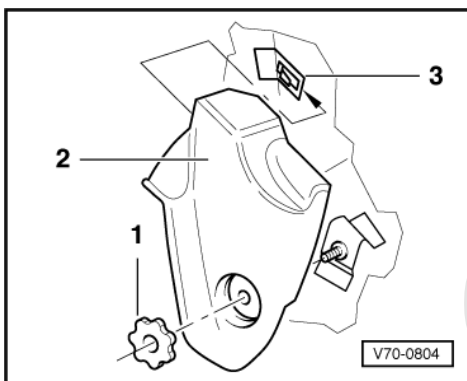
Copyright © Audi AG. All rights reserved. Copying, distributing, or using for private or commercial purposes, in part or in whole, is not permitted unless authorised by AUDI AG. AUDI AG does not guarantee or accept any liability with respect to the correctness of information in this document. Copyright by AUDI AG.

#### 4.3 - Removing and installing bottom left A-pillar trim



- Take out front floor covering => Page 200 .
- -> Screw out nut -3-.
- Screw out hexagon socket head bolt -2-.
- Remove trim -1-.

#### 4.4 - Removing and installing bottom right A-pillar trim

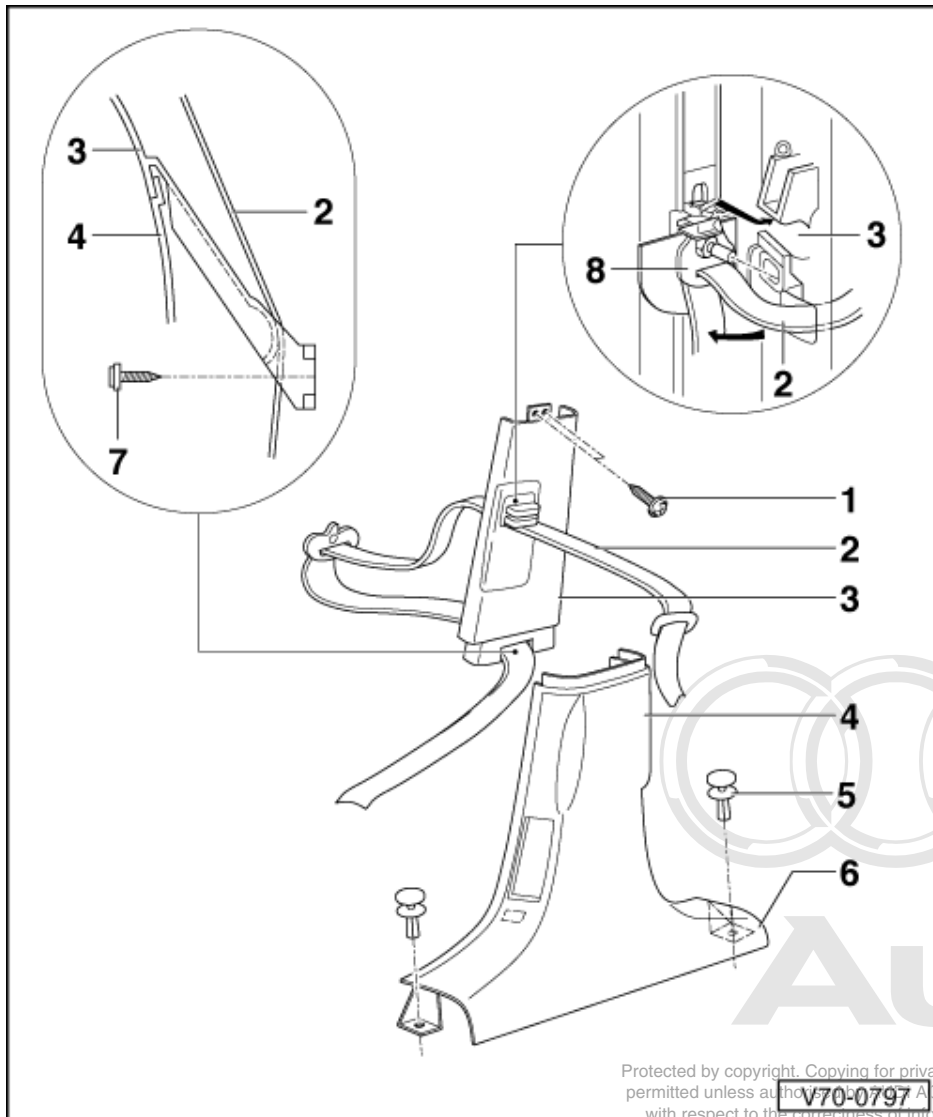


- Take out front floor covering => Page 200 .
- -> Screw out knurled screw -1-.
- Pull trim -2- rearwards out of fastener -3-.
- Detach trim.



Protected by copyright. Copying for private or commercial purposes, in part or in whole, is not permitted unless authorised by AUDI AG. AUDI AG does not guarantee or accept any liability with respect to the correctness of information in this document. Copyright by AUDI AG.

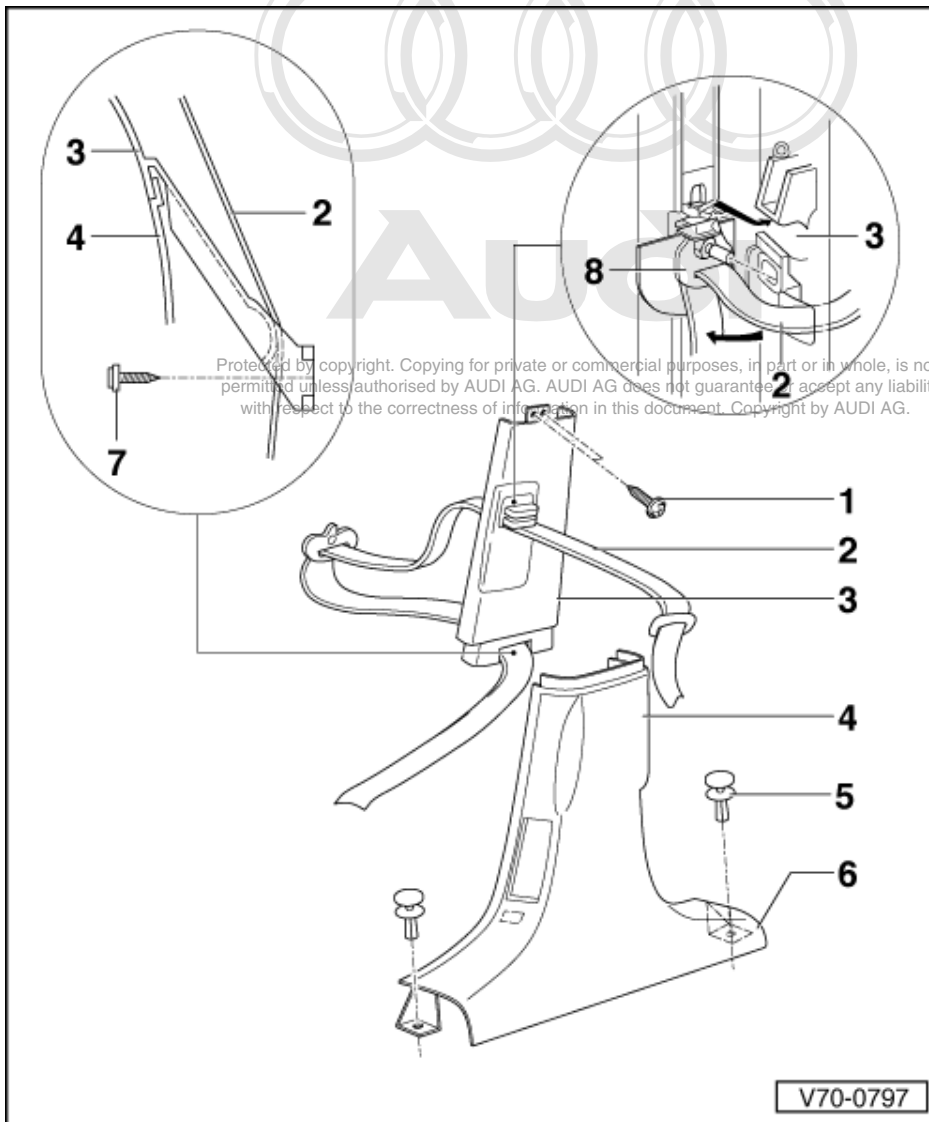
#### 4.5 - Removing and installing B-pillar trim



Protected by copyright. Copying for private or commercial purposes, in part or in whole, is not permitted unless authorized by Audi AG. AUDI AG does not guarantee or accept any liability with respect to the correctness of information in this document. Copyright by AUDI AG.

- 1 Cross-head screw - 0.5 Nm**  
 ♦ 2 off
- 2 Three-point seat belt**
- 3 Upper B-pillar trim**  
 ♦ Removing:  
 - Remove lower B-pillar trim -Item 4 -.  
 - Remove front grab handle and coat hook => Page 199 .  
 - Unclip upper A-pillar trim in rear area.  
 - Unscrew seat belt from seat  
 => Fig. 75 .  
 - Remove cross-head screws -Item 1 - and -Item 7 -.





- Ease three point seat belt -Item 2 - out of B-pillar trim.
- ◆ Installing:
- Assemble B-pillar trim with height adjuster -Item 8 - as shown

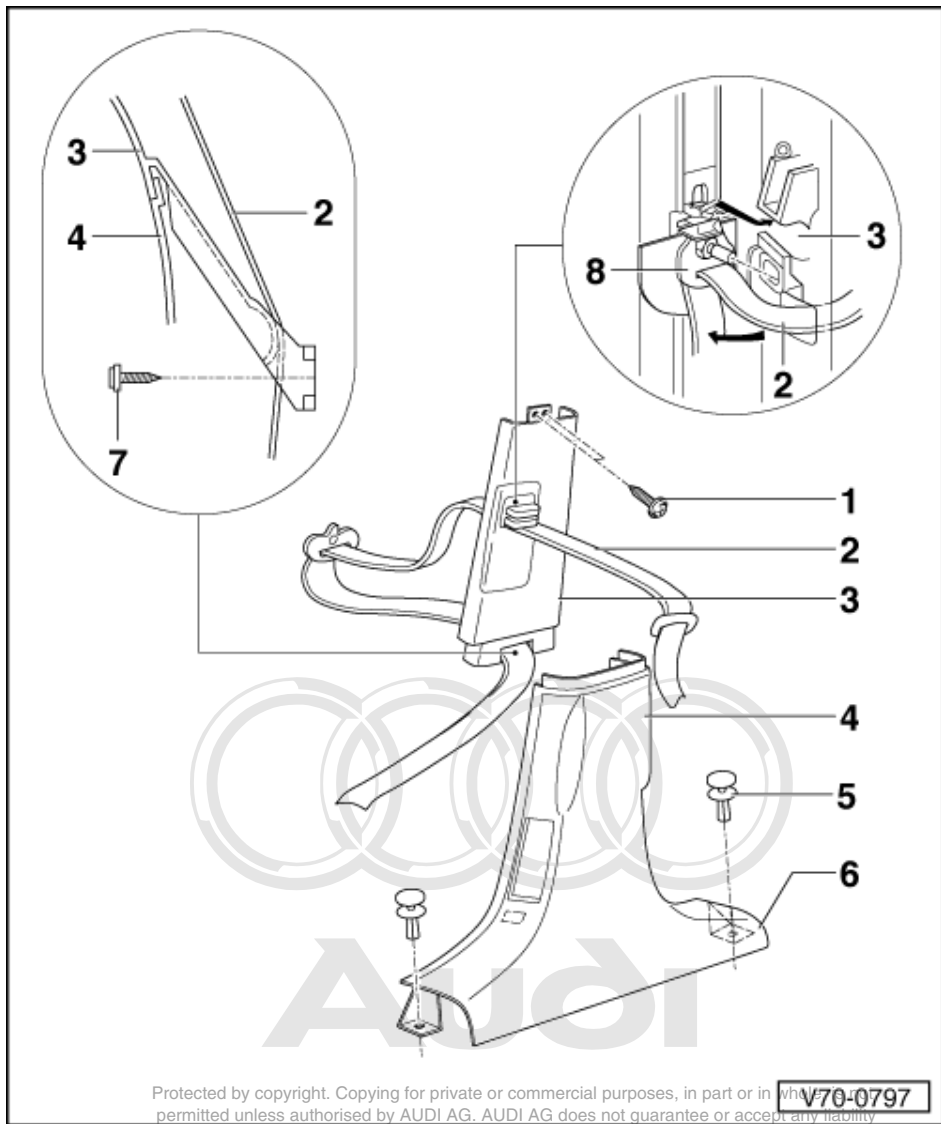
**Note:**

*Do not press button for manual height adjustment when installing.*

- Clip in B-pillar trim twice at both front and rear of B-pillar.

**Notes:**

- ◆ Manual belt height adjustment mechanism must be heard to engage in all 5 positions
- ◆ After being actuated button must always return to upper position.



Protected by copyright. Copying for private or commercial purposes, in part or in whole, is not permitted unless authorised by AUDI AG. AUDI AG does not guarantee or accept any liability with respect to the correctness of information in this document. Copyright by AUDI AG. V70-0797

**4 Lower B-pillar trim**

- ◆ Removing:
  - Unclip front sill panel trim => Page 212 .
  - Unclip lower C-pillar trim at transition to B-pillar trim.
  - Remove clips -Item 5 -.
  - Lift trim slightly and detach connectors.
  - Detach trim downwards.

**5 Clip**

- ◆ 2 off

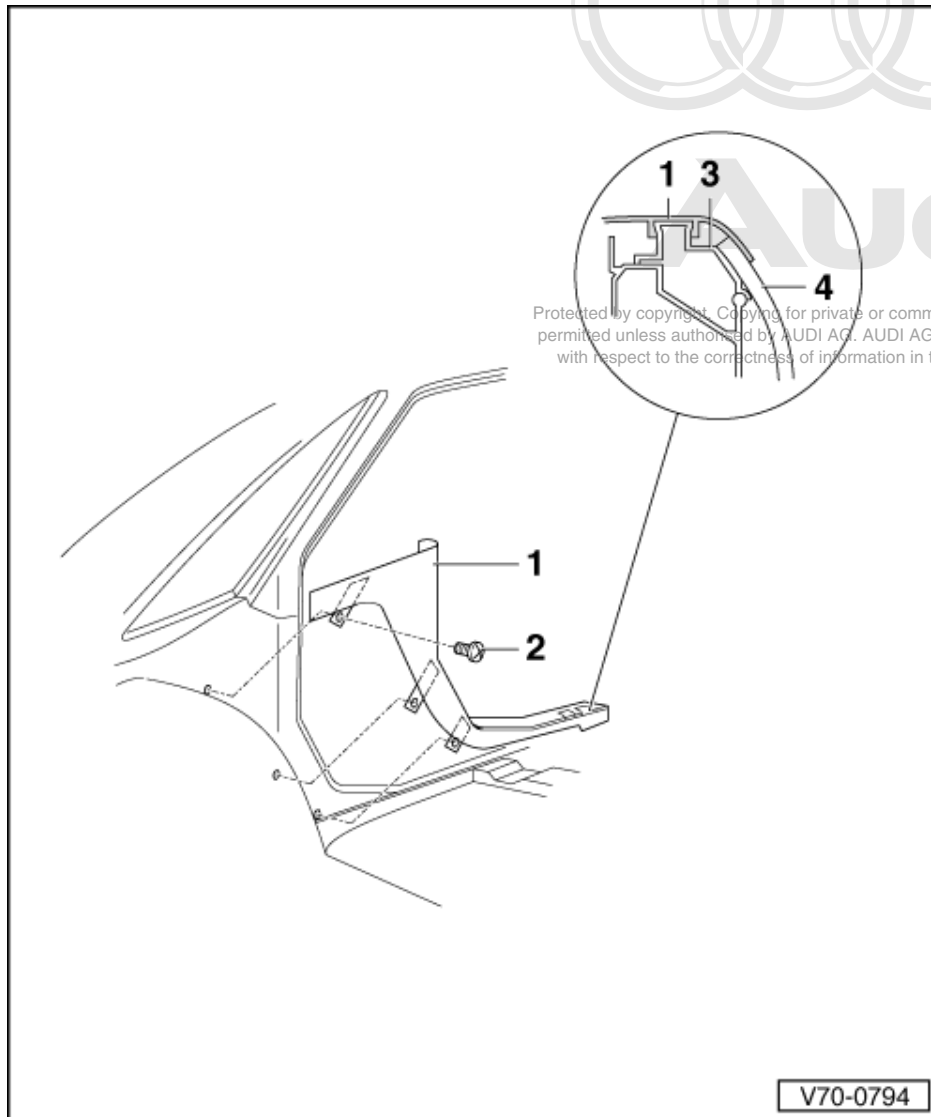
**6 B-pillar**

**7 Cross-head screw - 0.5 Nm**

- ◆ 3 off

**8 Height adjuster**

#### 4.6 - Removing and installing C-pillar trim



##### 1 Lower C-pillar trim

- ◆ Removing:
  - Remove rear seat backrest=>Page 369 .
  - Remove cross-head screws -Item 2 -.
  - Unclip C-pillar trim from retaining strip -Item 3 -at transition to B-pillar trim.
  - Pull C-pillar trim downwards out of upper trim.

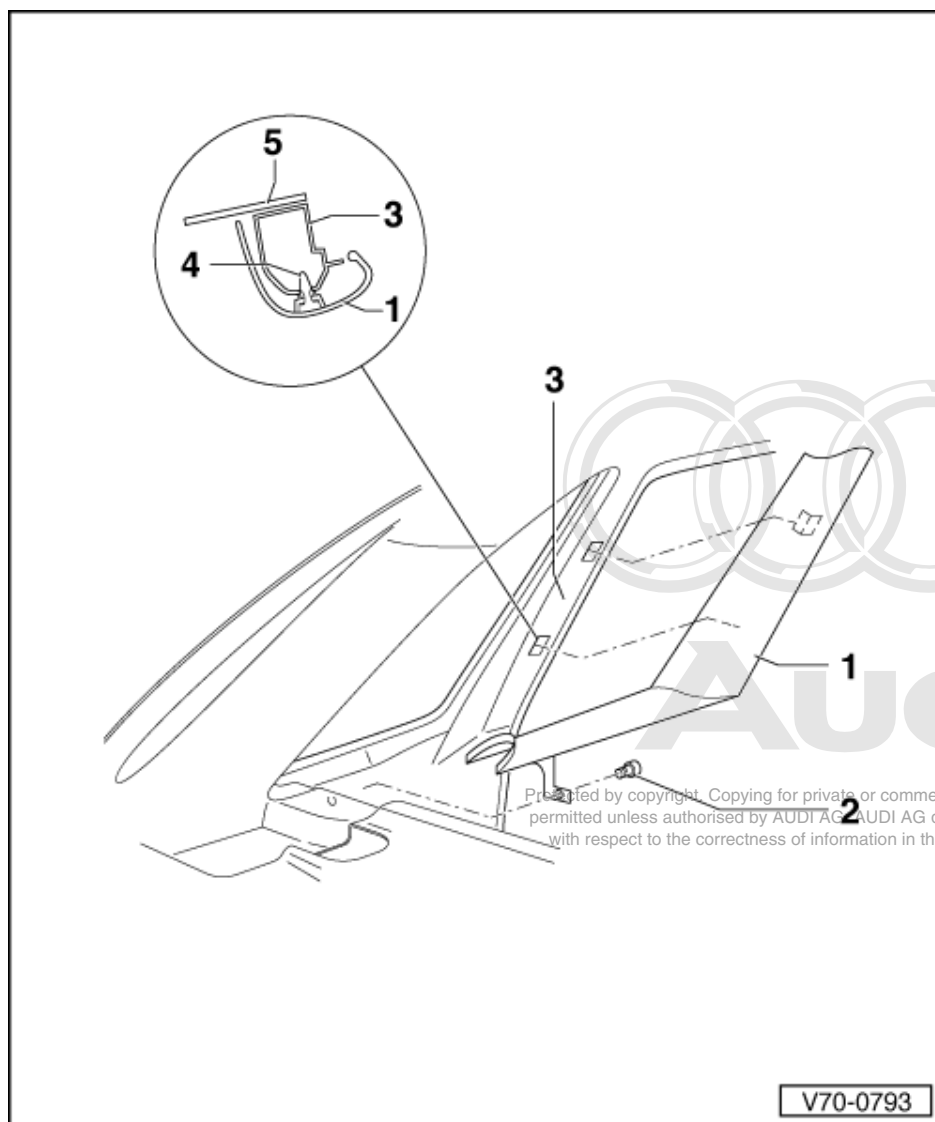
##### 2 Cross-head screw - 0.5 Nm

- ◆ 3 off

##### 3 Retaining strip

##### 4 Rear floor covering

## 4.7 - Removing and installing upper C-pillar trim



Protected by copyright. Copying for private or commercial purposes, in part or in whole, is not permitted unless authorised by AUDI AG. AUDI AG does not guarantee or accept any liability with respect to the correctness of information in this document. Copyright by AUDI AG.

V70-0793

### 1 Upper C-pillar trim

- ◆ Removing:
  - Remove rear seat backrest=>Page 369 .
  - Remove lower C-pillar trim =>Page 195 .
  - Remove front side retaining clip of rear shelf.
  - Unscrew bolt -Item 2 -.
  - Unclip trim from C-pillar -Item 3 -.

### 2 Cross-head screw - 0.5 Nm

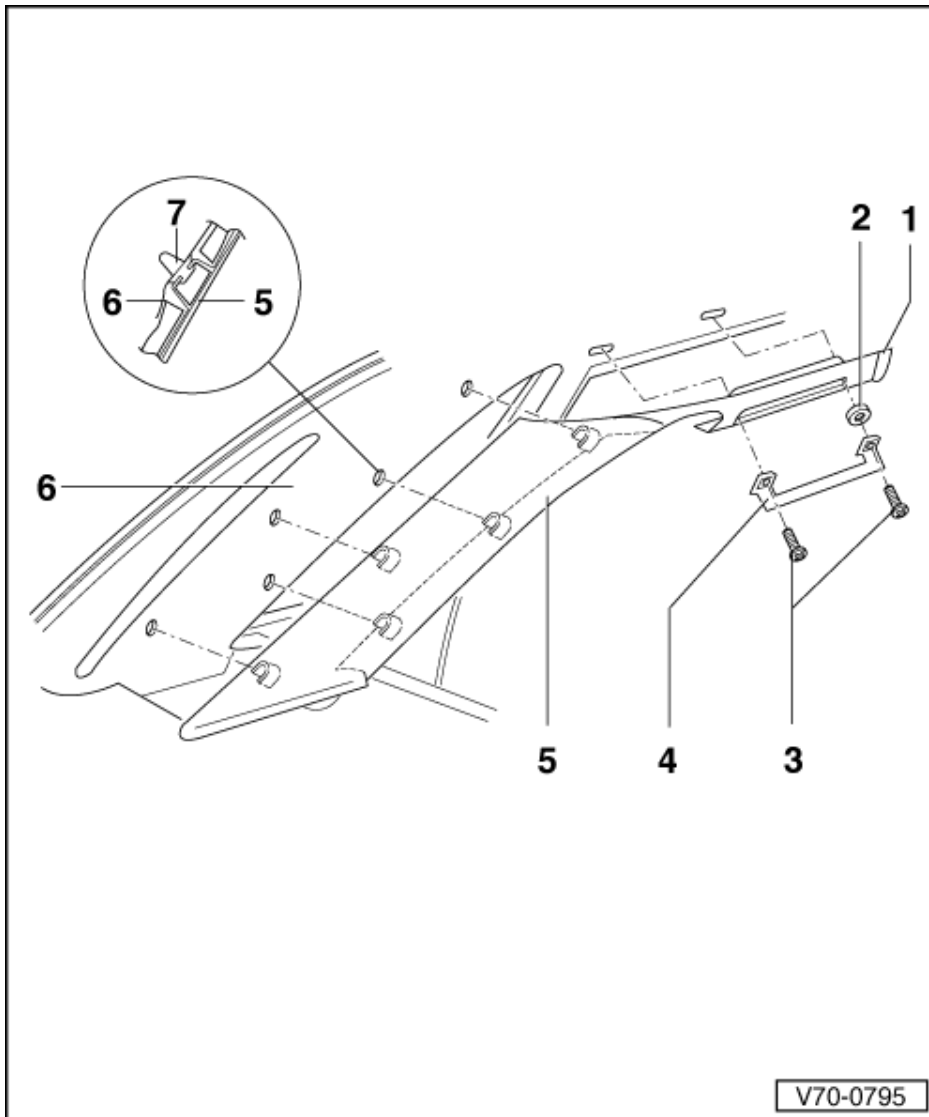
### 3 C-pillar

### 4 Bracket

- ◆ 3 off

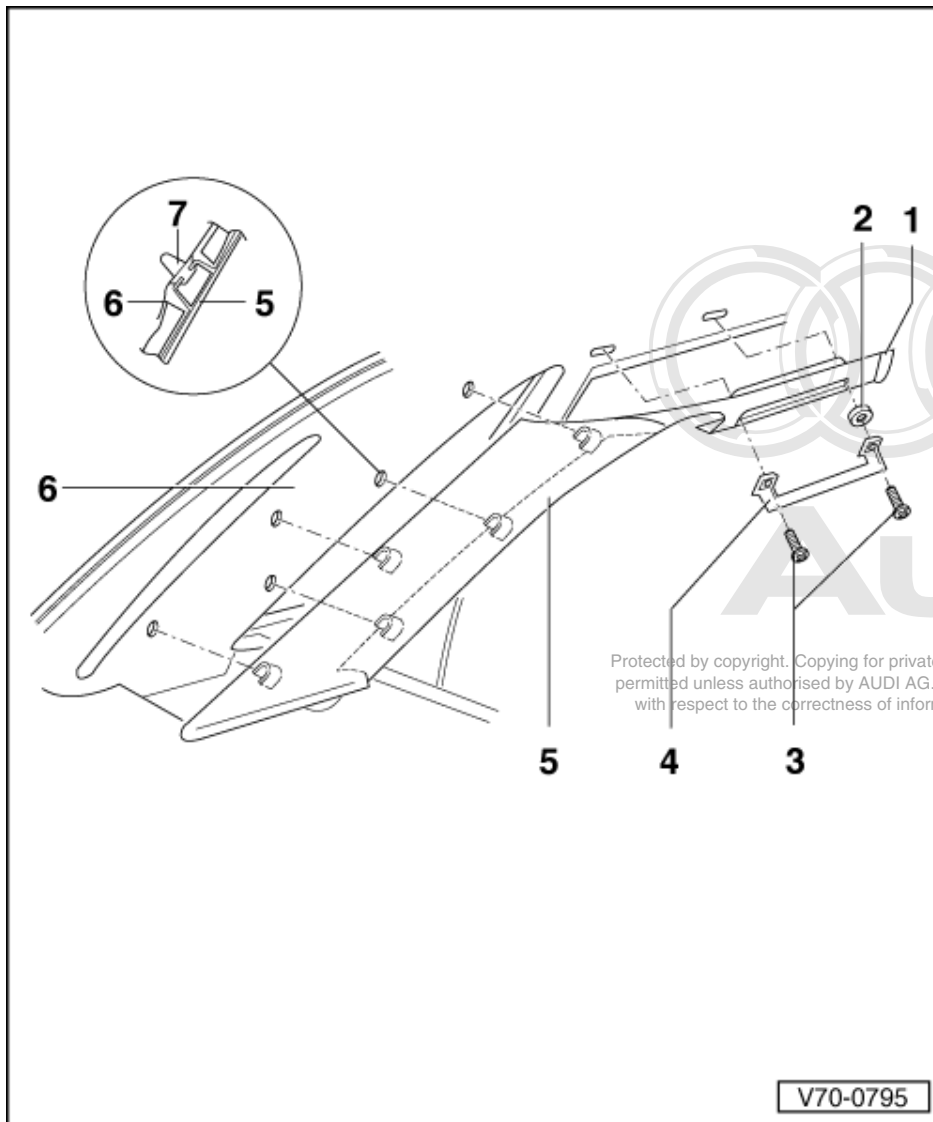
### 5 Side window

#### 4.8 - Removing and installing D-pillar trim



- 1 Coat hook
  - ◆ Removing => Page 199
- 2 Spacer
- 3 Cross-head screw - 0.5 Nm
  - ◆ 2 off
- 4 Rear grab handle
  - ◆ Removing => Page 199
- 5 D-pillar trim
  - ◆ Removing:
    - Remove rear seat backrest=>Page 369 .
    - Remove rear shelf =>Page 203

Protected by copyright. Copying for private or commercial purposes, in part or in whole, is not permitted unless authorised by AUDI AG. AUDI AG does not guarantee or accept any liability with respect to the correctness of information in this document. Copyright by AUDI AG.



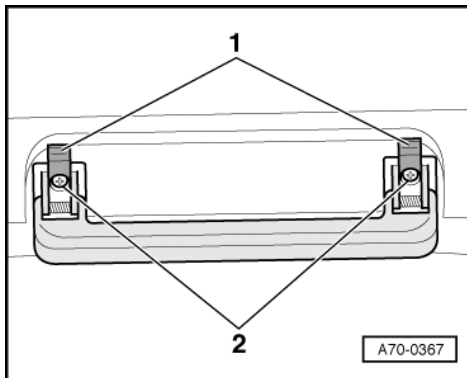
- Remove coat hook -Item 199 .
- Remove grab handle -Item 199 .
- Detach rubber door seal in area of trim.
- Unclip trim from D-pillar -Item 6 -.

**6 D-pillar trim**

**7 Retaining clip**

- ◆ 5 off

## 4.9 - Removing handle



- -> Flick covers -1- upwards.
- Remove bolts -2-.

### Vehicles ä 06.97:

- Detach grab handle.

### Vehicles 07.97 ä:

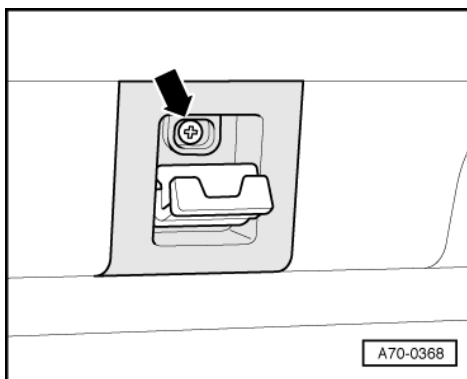
#### Notes:

- ◆ In addition to being screwed on grab handle is welded to A/D-pillar trim. Cut through weld to replace. Use soldering iron to reattach new grab handle to trim.
- ◆ Cut through weld for separate replacement of grab handle damping element. Use soldering iron to re-attach new damping element to A/D-pillar trim.



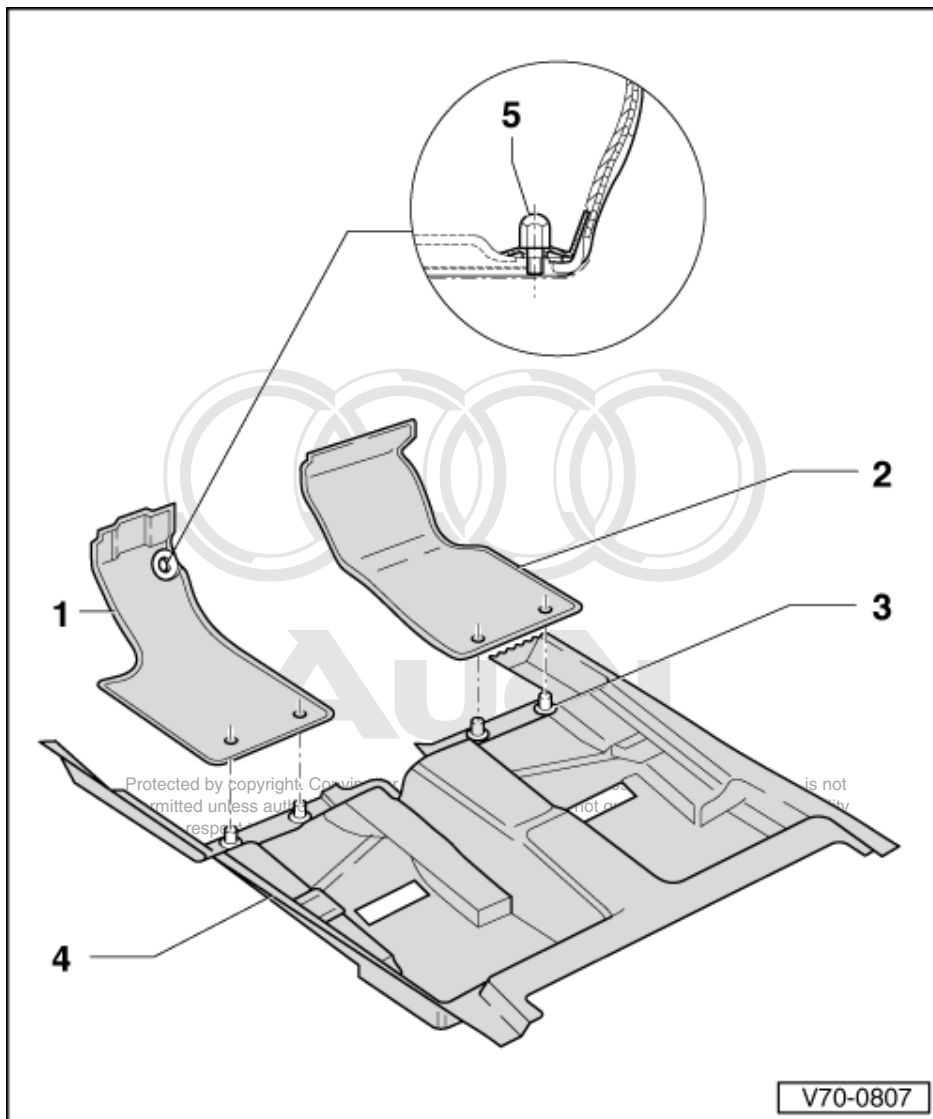
Protected by copyright. Copying for private or commercial purposes, in part or in whole, is not permitted unless authorised by AUDI AG. AUDI AG does not guarantee or accept any liability with respect to the correctness of information in this document. Copyright by AUDI AG.

## 4.10 - Removing coat hook



- -> Flip open coat hook and screw out cross-head screw -arrow-.

## 4.11 - Removing and installing front and rear floor covering



### 1 Front left floor covering

- ◆ Removing:
  - Unscrew nut -Item 5 -.
  - Unclip floor covering from guide pins -Item 3 - and remove.

### 2 Front right floor covering

- ◆ Unclip floor covering from guide pins -Item 3 - and take out

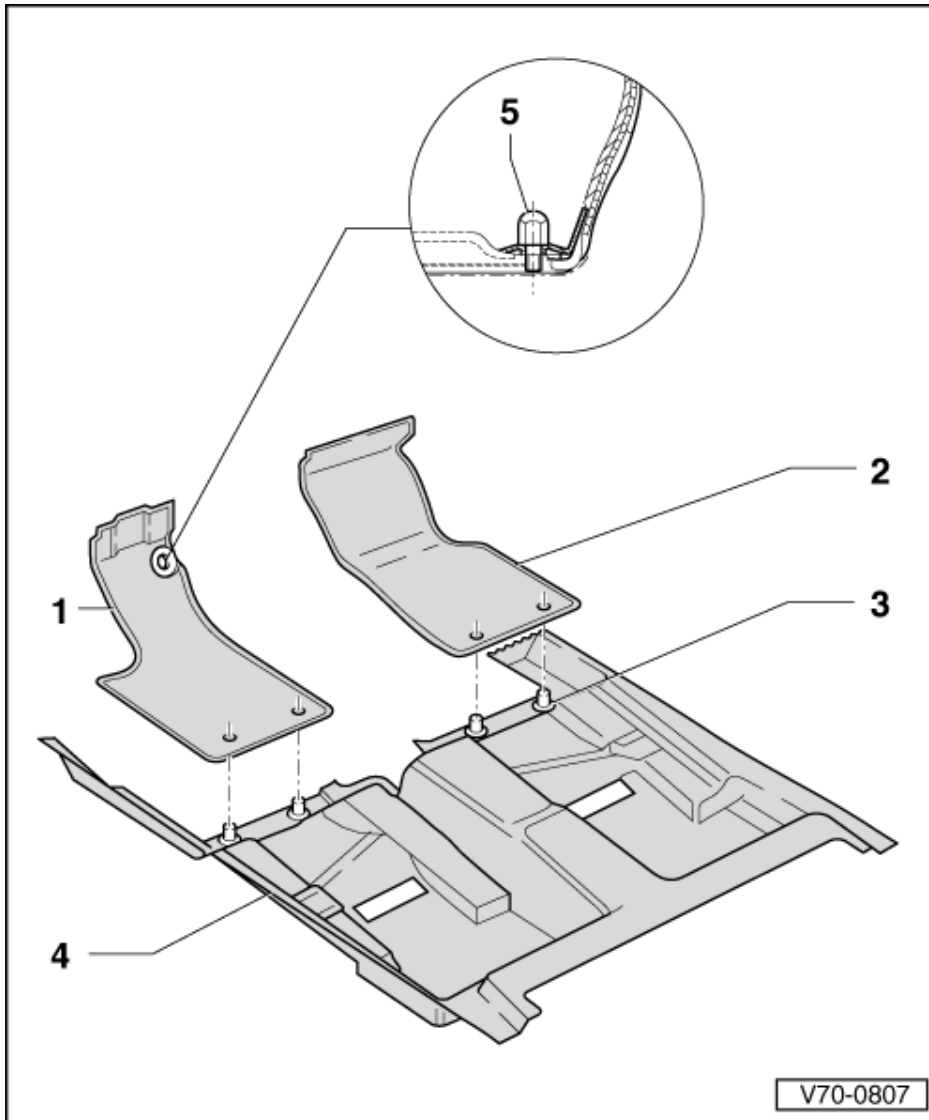
### 3 Guide pin

- ◆ 2 off

### 4 Rear floor covering

- ◆ Removing:
  - Remove driver's and passenger's seats =>Page 281 .

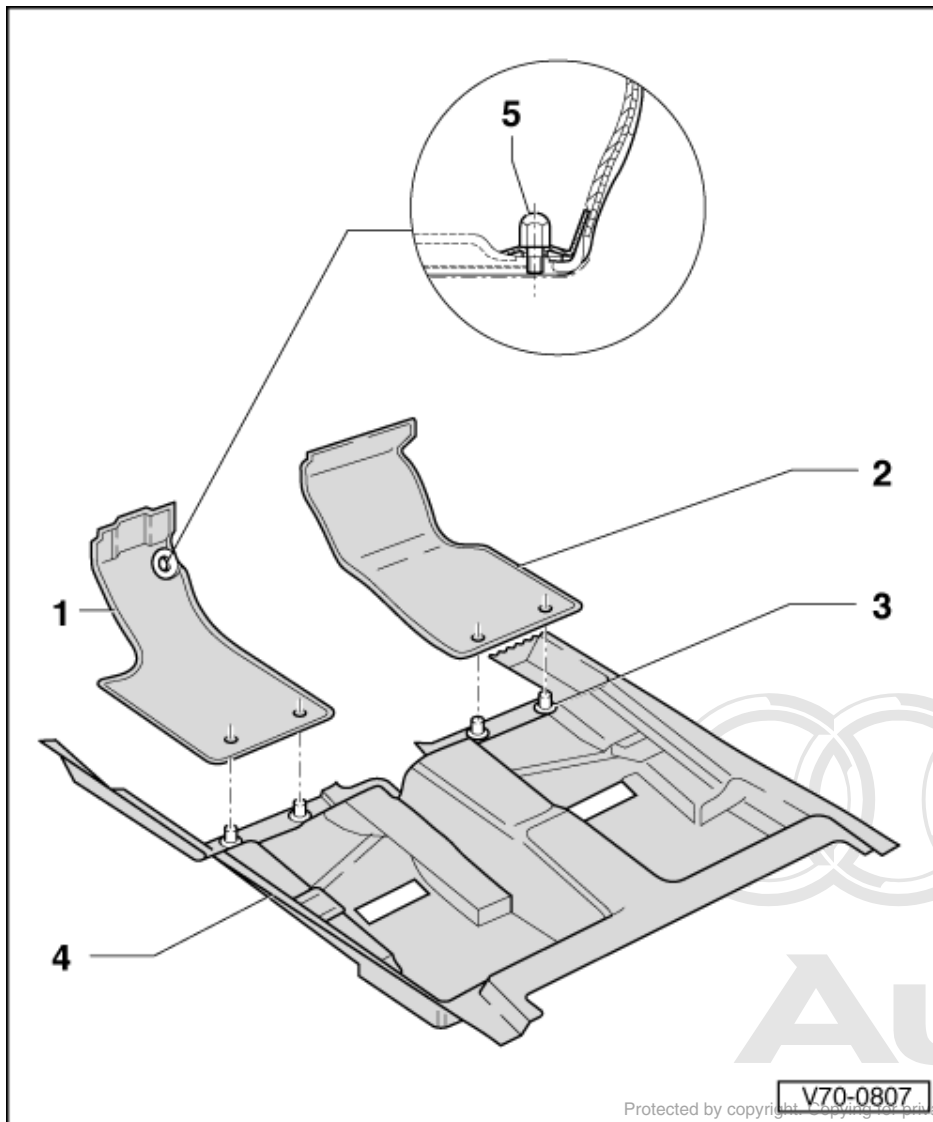




- Remove rear bench seat => Page 369 .
- Unclip both lower C-pillar trims at bottom =>Page 195 .
- Unclip inner sill panel trim on both sides=>Page 212 .
- Remove both lower B-pillar trims  
=>Page 192 .
- Remove lower right A-pillar trim  
=>Page 191 .
- Prise off caps at floor vent and unscrew floor vent.
- Take out front right floor covering -Item 2 -.

Audi

Protected by copyright. Copying for private or commercial purposes, in part or in whole, is not permitted unless authorised by AUDI AG. AUDI AG does not guarantee or accept any liability with respect to the correctness of information in this document. Copyright by AUDI AG.



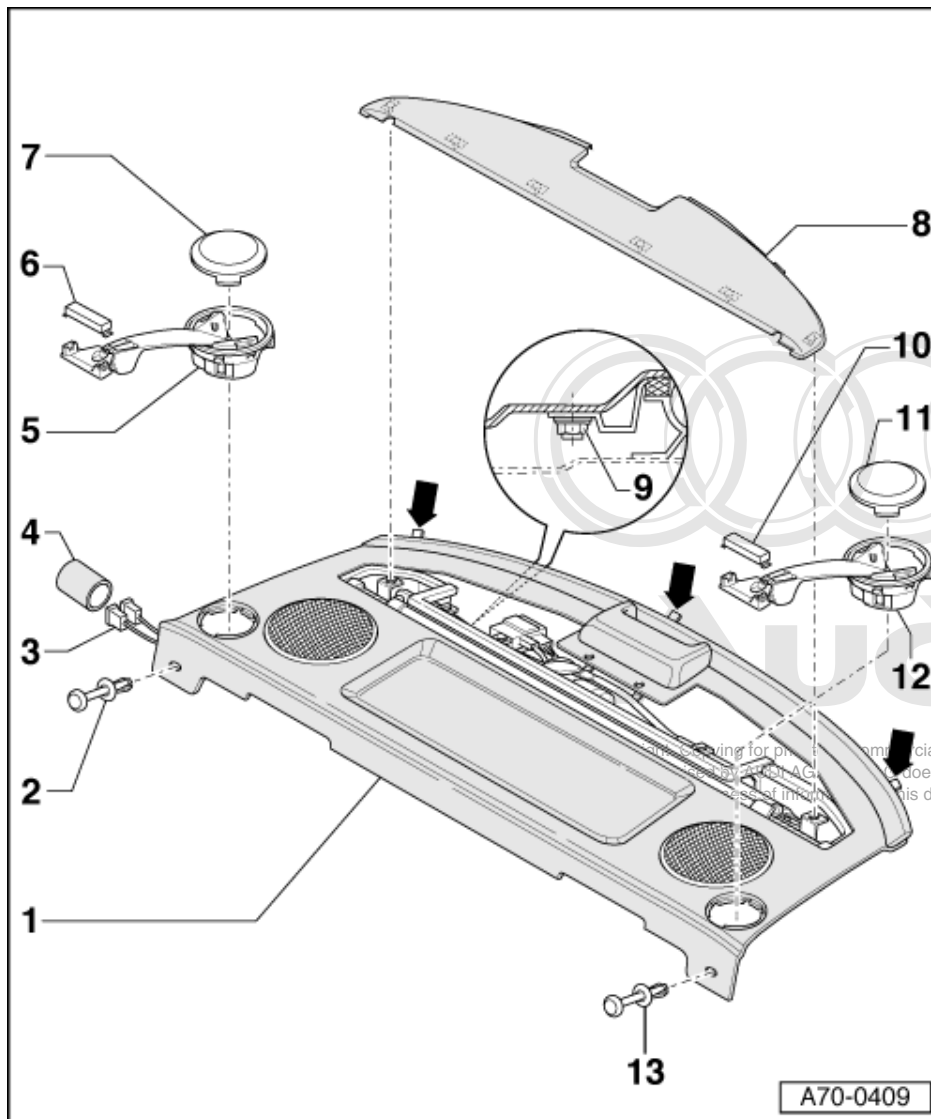
V70-0807

Protected by copyright. Copying for private or commercial purposes, in part or in whole, is not permitted unless authorised by AUDI AG. AUDI AG does not guarantee or accept any liability with respect to the correctness of information in this document. Copyright by AUDI AG.

- Unclip front left floor covering -Item 1 - from guide pins - 3 - and fold back.
- Remove centre console and air duct for footwell vent => Page 14 .
- Carefully release rear floor covering -Item 4 - from floor panel and fold together in centre.
- Lift out towards rear door opening with the help of second mechanic.

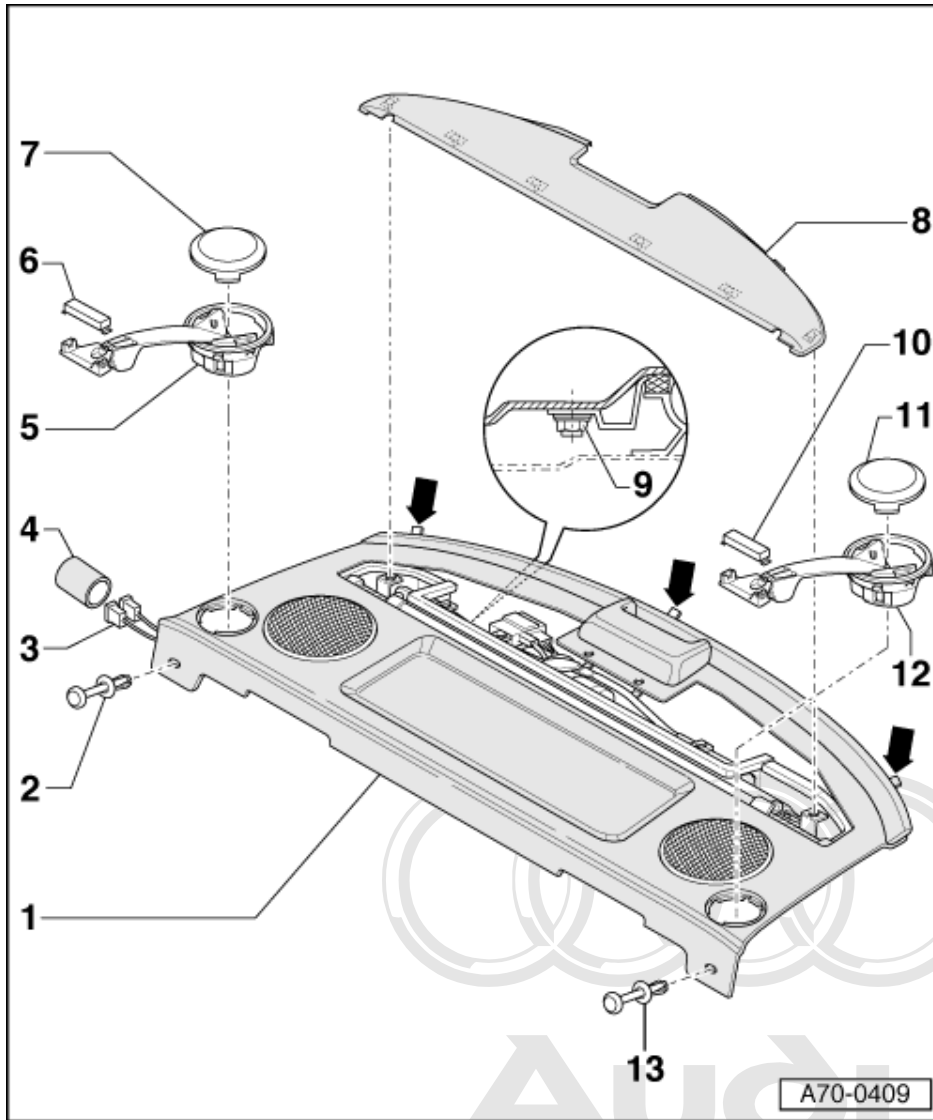
## 5 Plastic nut

## 4.12 - Removing and installing rear shelf

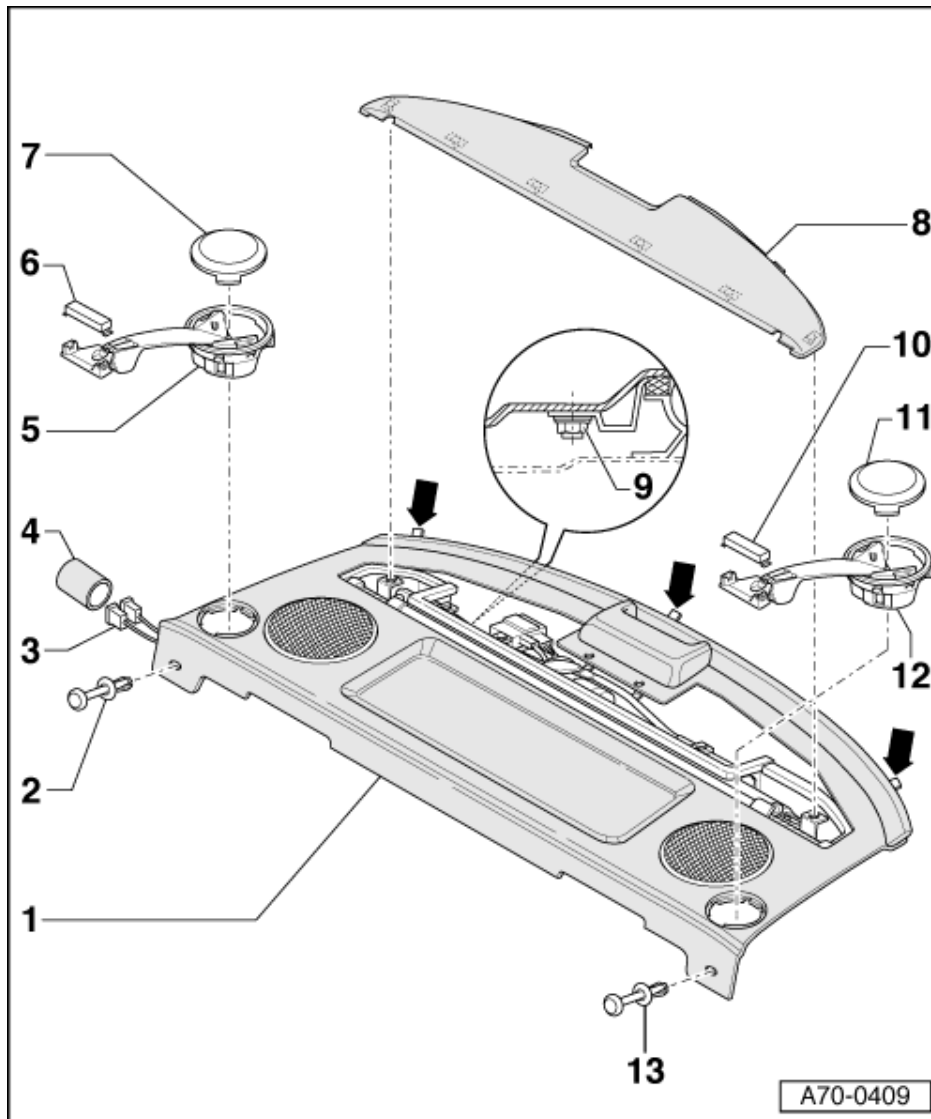


### 1 Rear shelf

- ◆ Removing:
  - Unfasten lower anchorage point of rear left and right three-point seat belt => Fig. 79 .
  - Remove rear seat backrest => Page 369 .
  - Unclip trim panels for belt guide -Item 6 - and -Item 10 -.
  - On left and right of lug lever out trim caps -Item 84 .



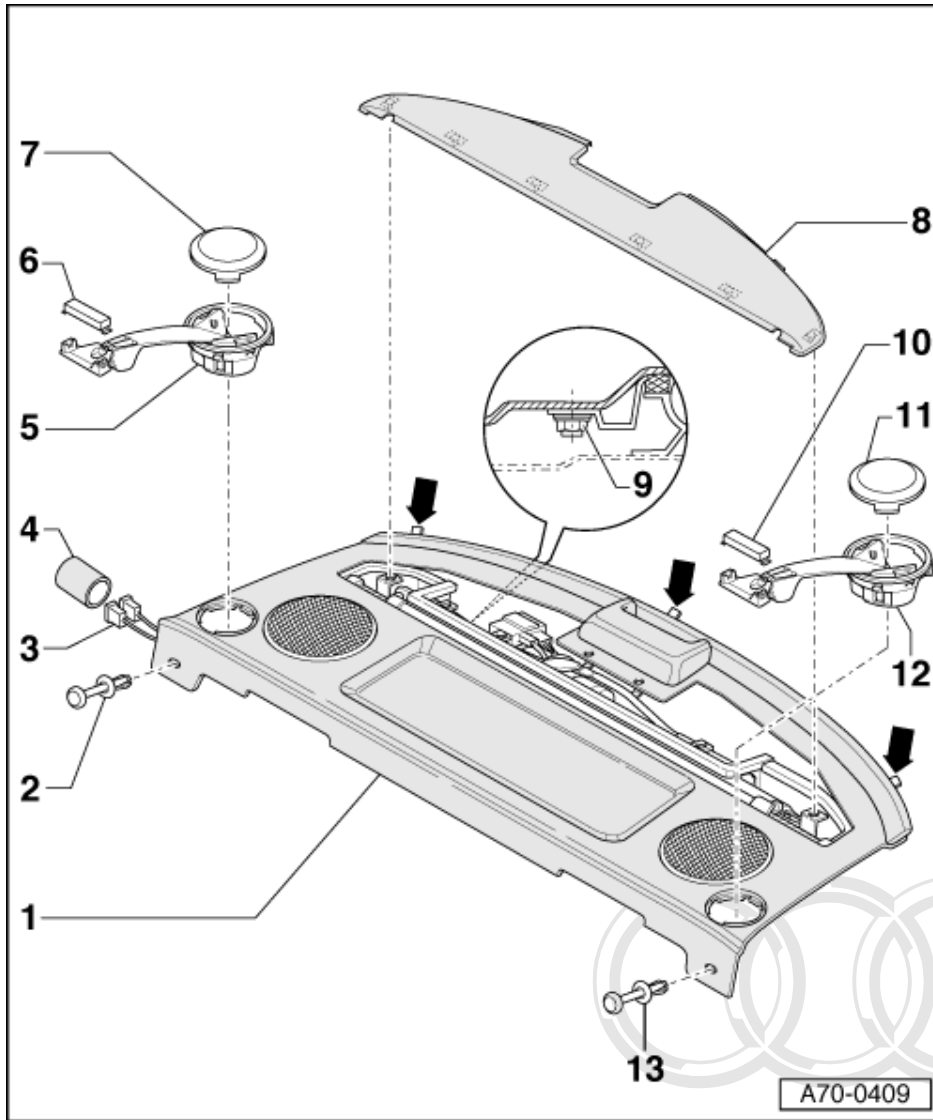
- Remove expanding clips -Item 2-.
- On vehicles with electric sun blind unclip cover panel -Item 8-.
- Push back foam sheath -Item 4- and detach connectors -Item 3- for sun blind and 3rd brake light.
- On vehicles with electric sun blind screw out nuts -Item 9- in boot.
- On vehicles with electric sun blind lift up sun blind housing to release studs from rear shelf.
- Pull rear shelf slightly forwards out of guides -arrows- towards centre of vehicle and detach.



- 2 Expanding clip**
- 3 Connector**
  - ◆ For 3rd brake light
  - ◆ For sun blind
- 4 Foam sheath**
  - ◆ For connector
- 5 Belt height adjuster**
- 6 Cover**
  - ◆ For belt guide
- 7 Cover**
  - ◆ For belt height adjuster
- 8 Cover**
  - ◆ For sun blind
- 9 Securing nut - 10 Nm**
  - ◆ For sun blind
  - ◆ In top of boot
  - ◆ 3 off



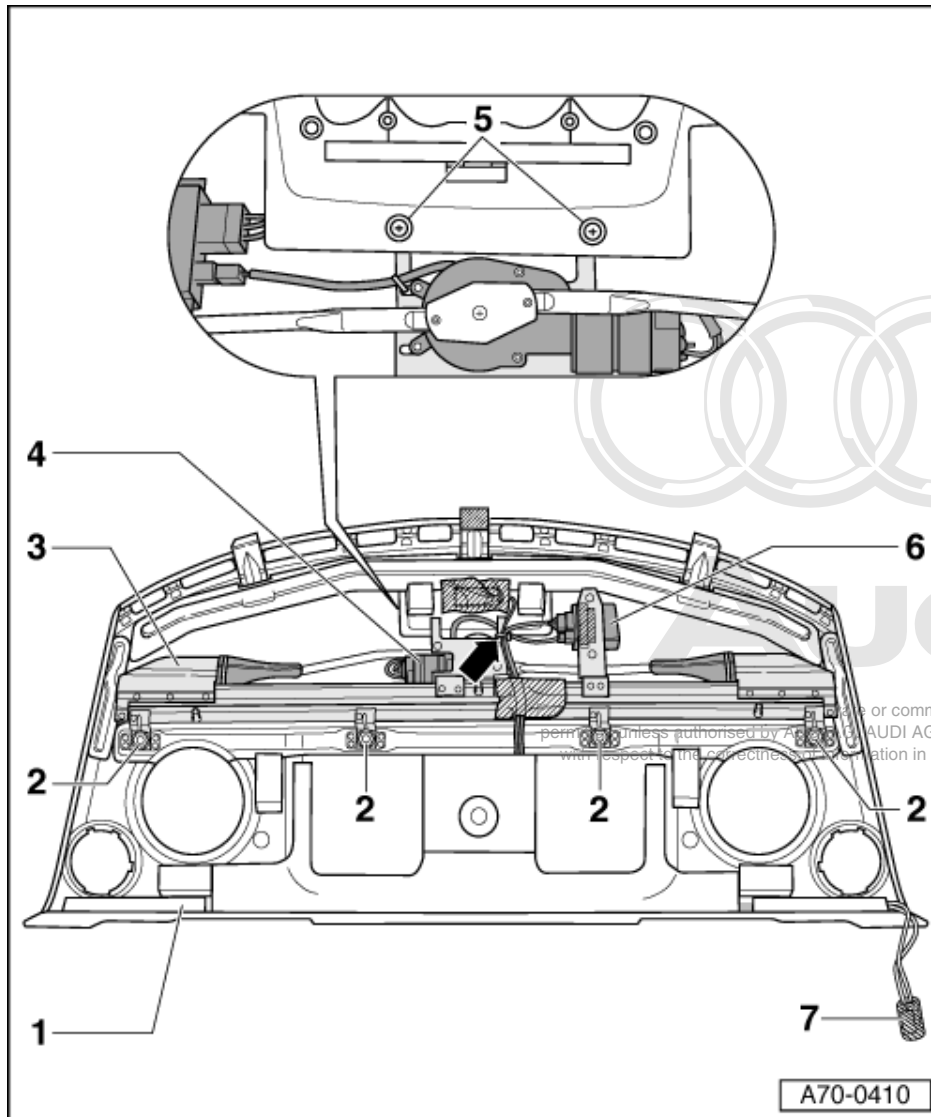
Protected by copyright. Copying for private or commercial purposes, in part or in whole, is not permitted unless authorised by AUDI AG. AUDI AG does not guarantee or accept any liability with respect to the correctness of information in this document. Copyright by AUDI AG.



- 10 Cover**
  - ◆ For belt guide
- 11 Cover**
  - ◆ For belt height adjuster
- 12 Belt height adjuster**
- 13 Expanding clip**

Protected by copyright. Copying for private or commercial purposes, in part or in whole, is not permitted unless authorised by AUDI AG. AUDI AG does not guarantee or accept any liability with respect to the correctness of information in this document. Copyright by AUDI AG.

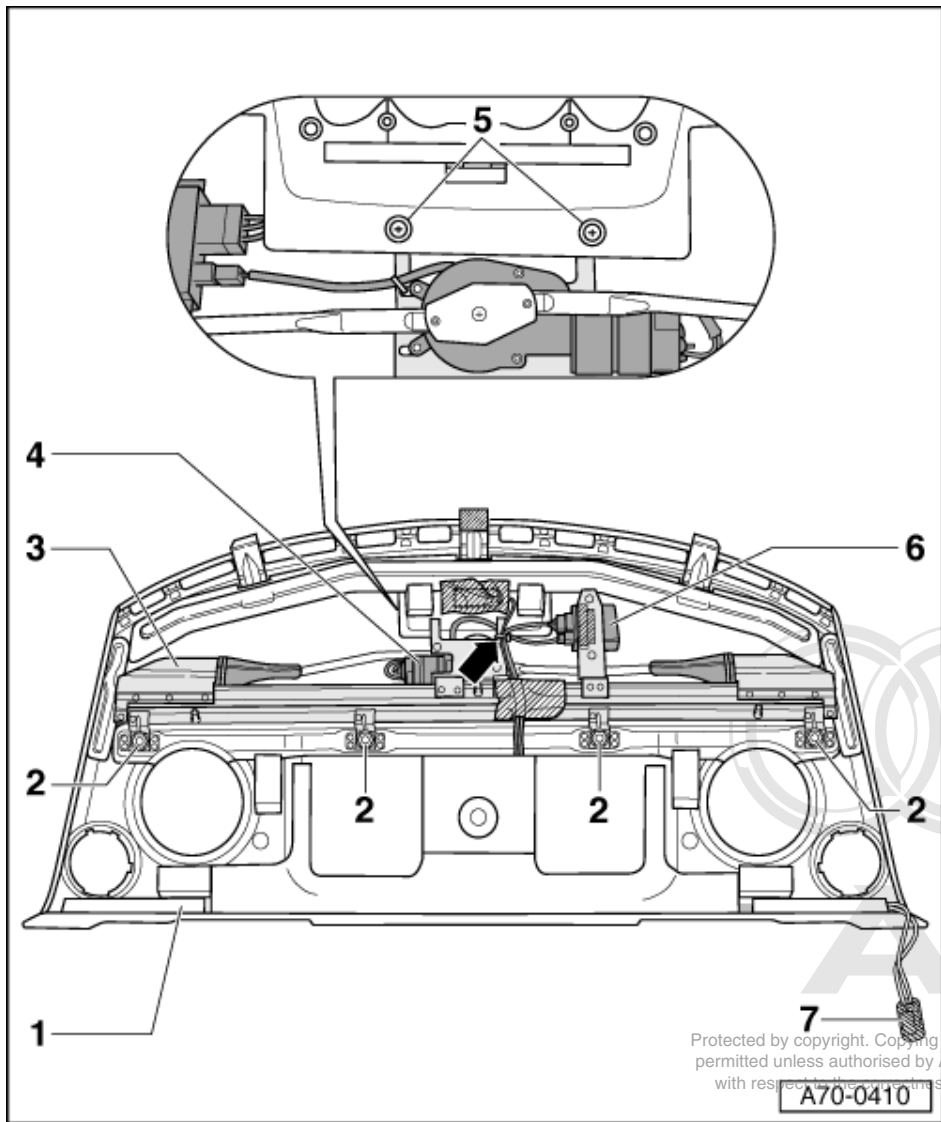
### 4.13 - Removing and installing electric sun blind for rear window



**Note:**

*Fig. shows back view of rear shelf.*

- 1 Rear shelf
- 2 4.5 Nm
  - ◆ 4 off
- 3 Electric sun blind
  - ◆ Removing:
    - Remove rear shelf=>Page 203 .
    - Pull off adhesive strips -hatched areas-.
    - Detach cable tie -arrow-.



Protected by copyright. Copying for private or commercial purposes, in part or in whole, is not permitted unless authorised by AUDI AG. AUDI AG does not guarantee or accept any liability with respect to the correctness of information in this document. Copyright by AUDI AG.

A70-0410

- Screw out nuts -Item 2 -.
- Screw out bolts -Item 5 - and detach sun blind.

**4 Rear blind motor -V91**

- ◆ Removing and installing  
=>Page 209
- ◆ Motors with hexagonal drive mechanism are no longer available
- ◆ Use component set for conversion to star-wheel drive mechanism

=> Parts List

- ◆ Converting drive pulley=>Page 211 .

**5 5.5 Nm**

- ◆ 2 off

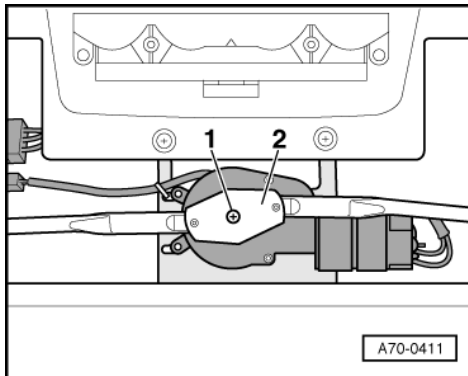
**6 Rear blind control unit -J262**

- ◆ Removing and installing  
=>Page 211 .

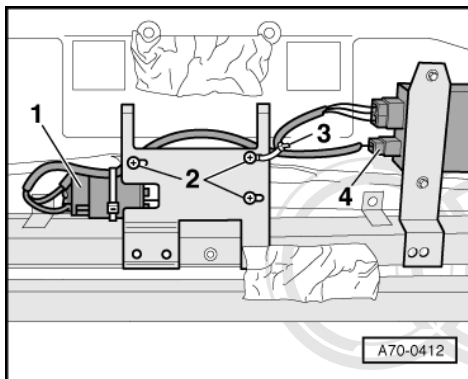


## 4.14 - Removing and installing rear blind motor

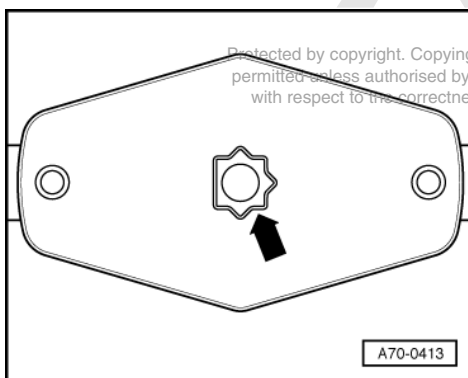
### Removing



- Remove rear shelf => Page 203 .
- -> Screw out bolt -1- of drive pulley -2- and detach drive pulley.

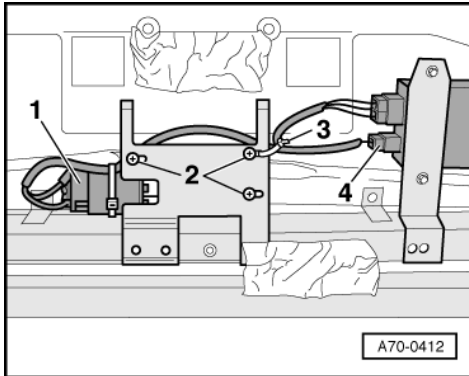


- -> Unfasten cable tie -3-.
- Disconnect the connector -4-.
- Remove bolts -2-.
- Detach motor for rear blind-1-.

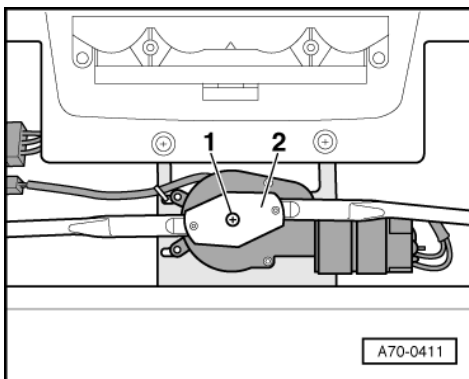


- Check shape of drive mechanism in drive pulley:
  - -> In the event of intact star-wheel drive -arrow- motor can be re-installed without the need for any further measures.
  - In the event of hexagonal drive mechanism or worn star-wheel drive mechanism drive pulley must be replaced by a new drive pulley with star-wheel mechanism from component set => Page 211

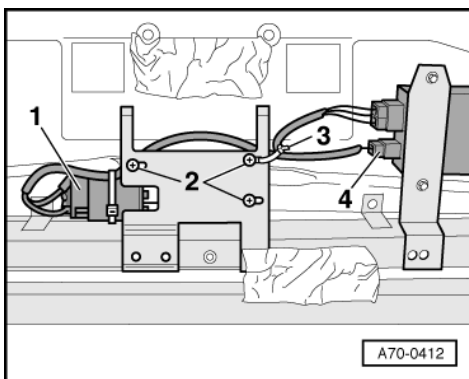
Installing



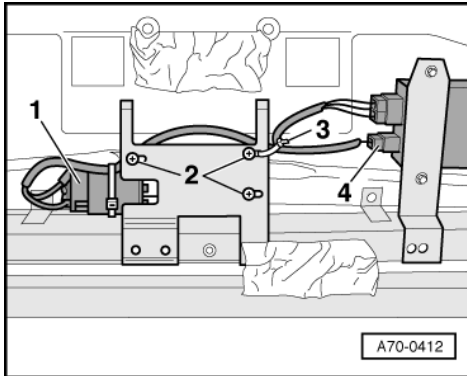
- -> Loosely attach motor for rear blind -1- to holder with bolts -2-.



- -> Insert drive pulley -2- in drive mechanism of motor for this may involve lifting blind slightly.
- Replace bolt -1- for drive pulley and tighten bolt to 8 Nm.
- Apply voltage of 12 V to motor for rear blind and extend blind as far as it will go.

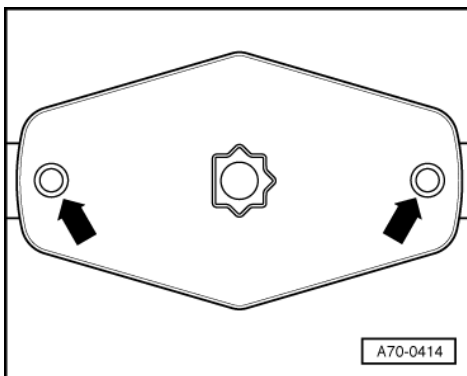


- -> With blind fully extended tighten bolts -2- to 8 Nm.
- Re-apply voltage of 12 V to motor for rear blind and fully retract/extend blind several times.



- -> If lever arms are not evenly extended loosen bolts -2- and move motor in slots:
  - Left lever arm extends sooner: Move motor to the right.
  - Right lever arm extends sooner: Move motor to the left.
- If necessary, check whether lever arms retract evenly.
- Attach connector-4- to motor at rear blind control unit and secure with cable tie -3-.
- Fit rear shelf => Page 203 .

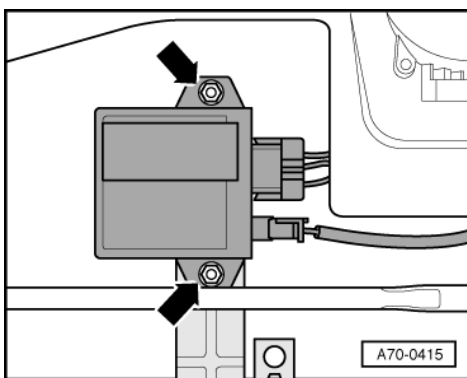
#### 4.15 - Replacing drive pulley for rear blind motor



- Electric sun blind for rear window removed Page => 207 .
- Motor for rear blind removed Page => 209 .

- -> Carefully knock out rivets -arrows- downwards at drive pulley.
- Install new drive pulley with pin, mounting plate and lock washer.
  - Installation position: Flat part of mechanism faces right side of vehicle

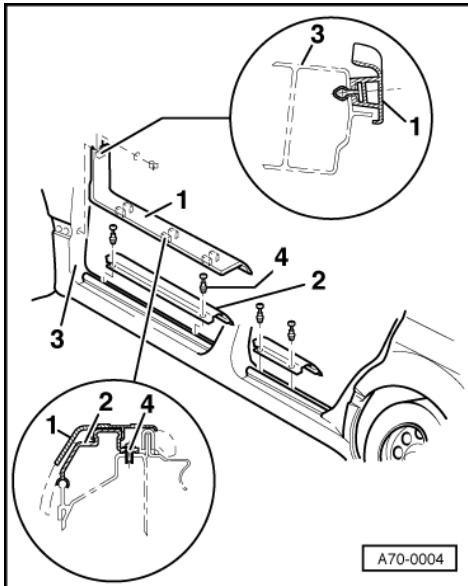
#### 4.16 - Removing and installing rear blind control unit



- Unclip cover panel -Item 205 for sun blind.
- Pull connectors off control unit.

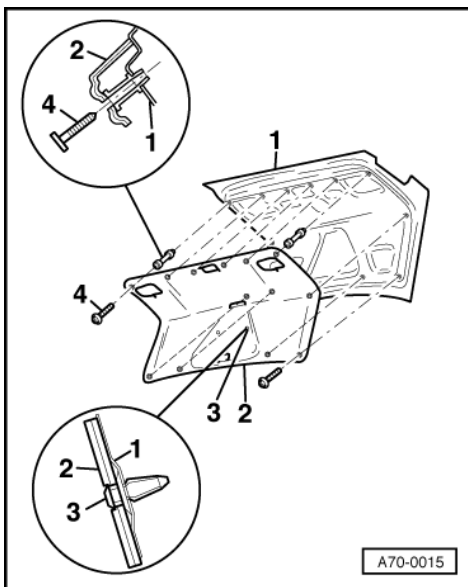
- -> Screw out nuts -arrows- and detach control unit.

#### 4.17 - Removing and installing inner sill panel



- -> Pull inner sill panel trim -1- off backing plate -2- and A-pillar -3-.
- 4 - Expanding clips for attaching backing plate

#### 4.18 - Removing boot lid trim

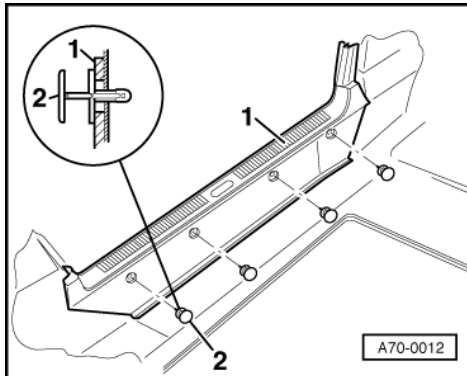


- Take out hazard warning triangle.
- Screw out nuts at holder for hazard warning triangle.
- -> Unscrew bolts -4-.
- Take boot lid trim -2- with clips -3- out of boot lid -1-.



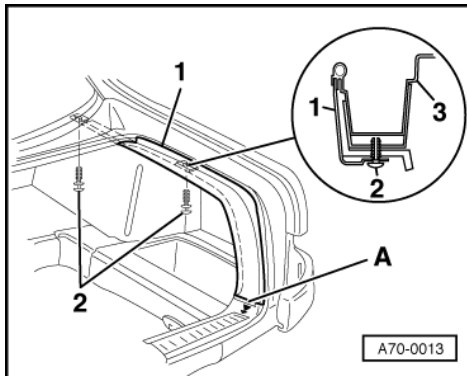
Protected by copyright. Copying for private or commercial purposes, in part or in whole, is not permitted unless authorised by AUDI AG. AUDI AG does not guarantee or accept any liability with respect to the correctness of information in this document. Copyright by AUDI AG.

#### 4.19 - Removing and installing rear cross-panel trim

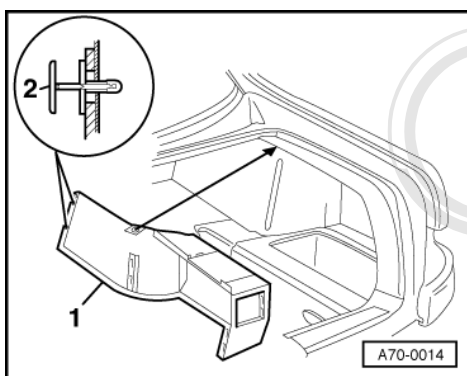


- -> Pull pin -2- out of expanding clip and pull expanding clip out of trim.
- Take out cross-panel trim -1-.
- Detach connector for boot light.

#### 4.20 - Remove boot trim



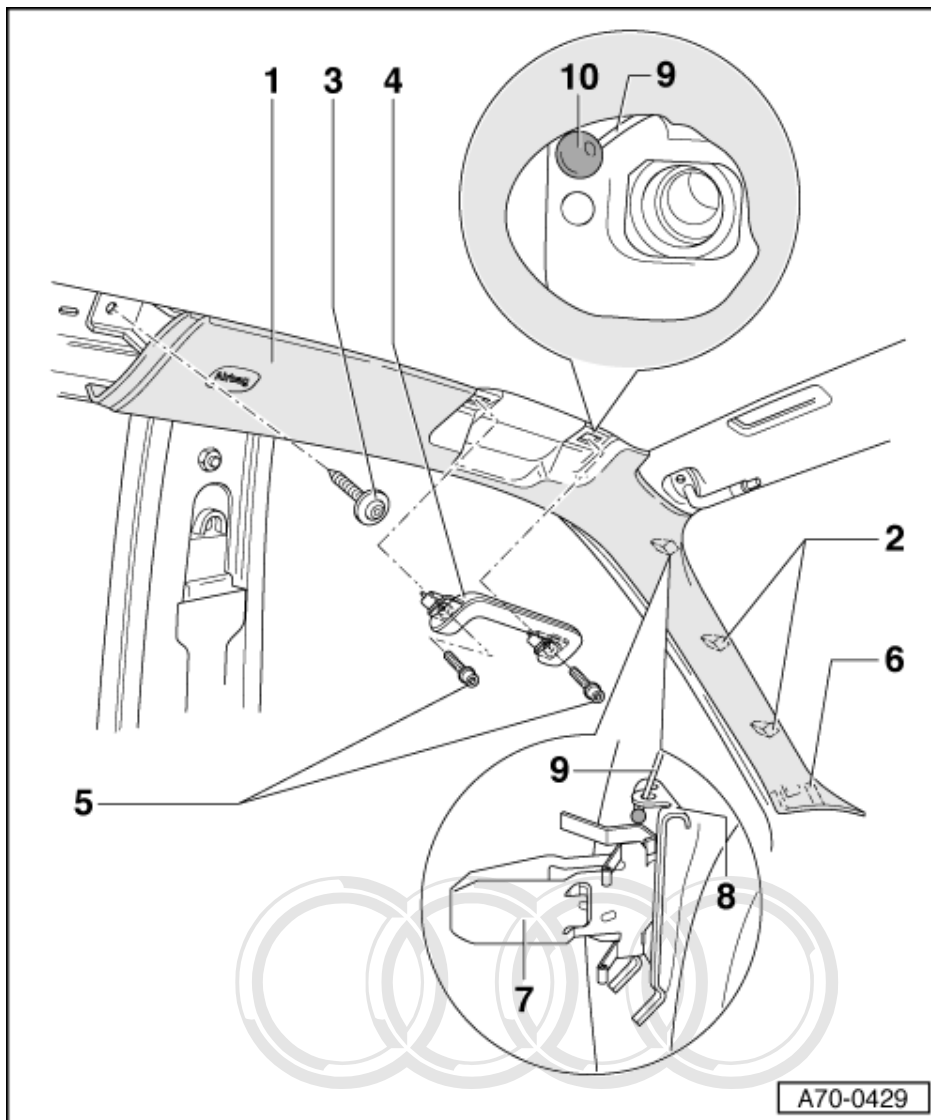
- -> Pull pin out of expanding clip -2- and pull expanding clip out of boot trim -1-.
- Lift boot trim out of cross-panel trim -A-.



- Fold back trim for boot bulkhead slightly.
- -> Pull pin -2- out of expanding clip and pull expanding clip out of trim.
- Fold back trim for bottom of boot.
- Take out trim -1-.

## 5 - Trims introduced as of 10.98 (with interior mirror at headliner)

### 5.1 - Trims introduced as of 10.98 (with interior mirror at headliner)



### 5.2 - Removing and installing upper A-pillar trim

Protected by copyright. Copying for private or commercial purposes, in part or in whole, is not permitted unless authorised by AUDI AG. AUDI AG does not guarantee or accept any liability with respect to the correctness of information in this document. Copyright by AUDI AG.

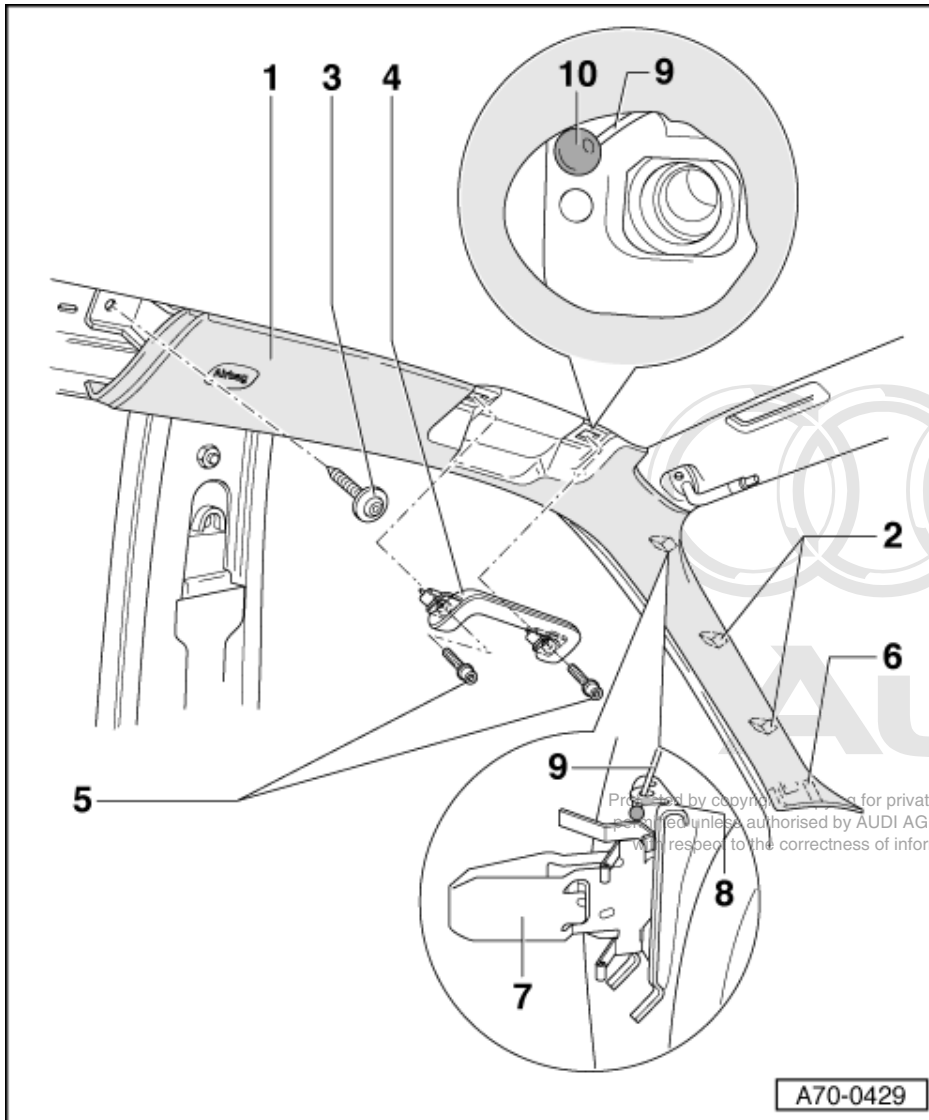
#### Important

#### Note:

Removing and installing A-pillar trim -Item 1- top is identical for vehicles with and without head airbag.

#### 1 Upper A-pillar trim

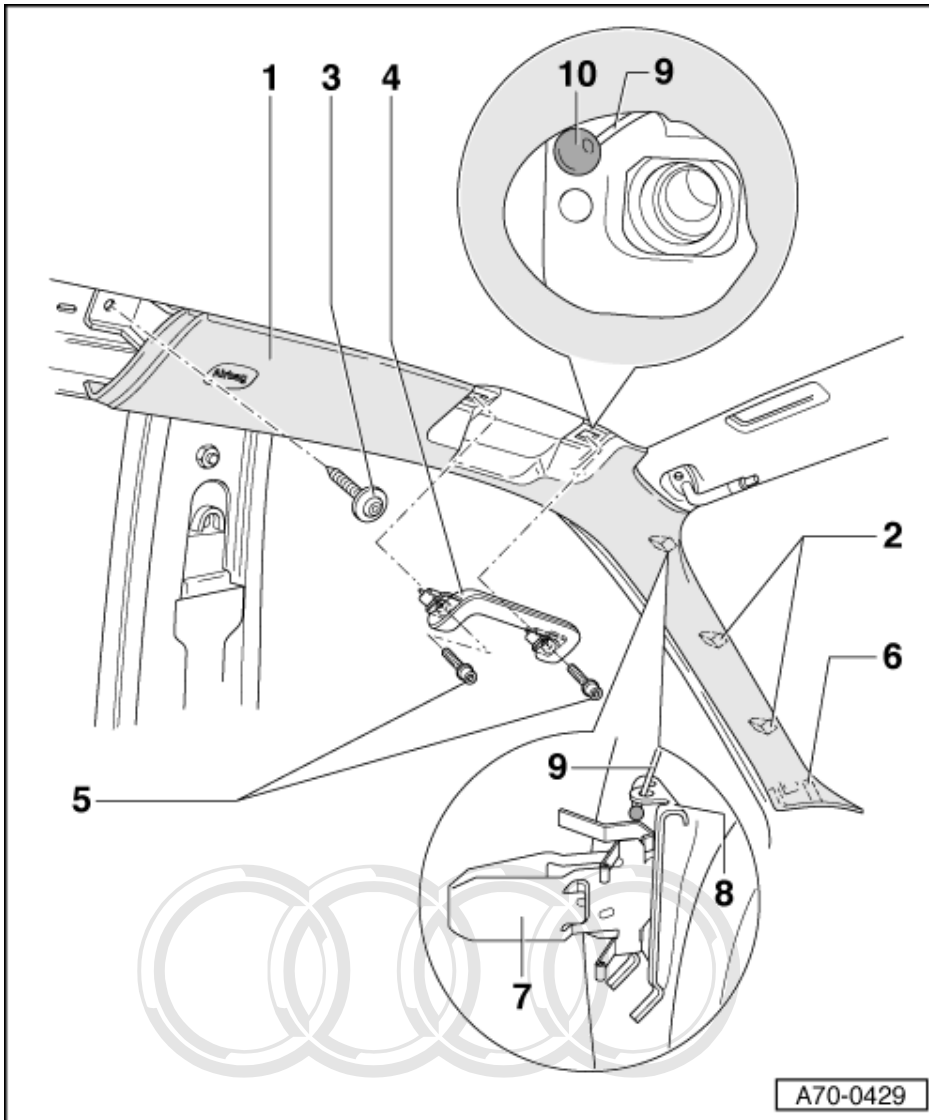
- ◆ Removing:
- Remove D-pillar trim => Page 233



- Remove front grab handle -Item 4- => Page 199 .
- Unscrew bolt -Item 3- (1x).
- Use small screwdriver to lever stud -Item 10- out of front cut-out in A-pillar trim -Item 1- for grab handle.
- By applying pliers to stud -Item 10- pull out wire cable -Item 9- (pull firmly approx. 40 mm in direction of B-pillar) until A-pillar trim -Item 1- is released.
- Detach sun visor at inner mount and swivel rearwards until parallel with side of vehicle.

**Note:**

*When disassembling A-pillar trim -Item 1- only pull on side facing headliner.*



- Pull out trim -1- at top of B-pillar.
- Detach trim -1- from clip -7- by shaking it gently.
- Unclip trim from A-pillar -Item 2-.
- Pull A-pillar trim -Item 1- upwards out of tab -Item 6-.

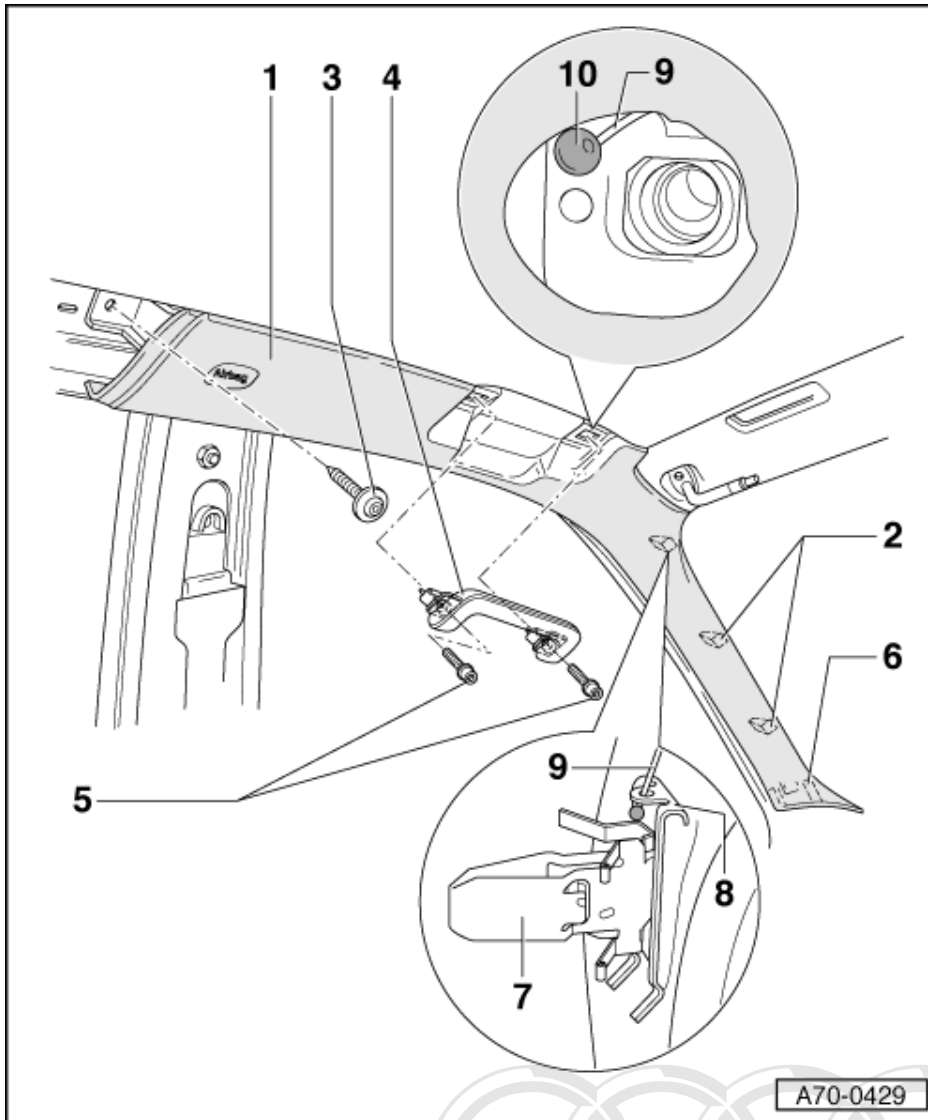
**Important**

Always adhere to installation sequence for A-pillar trim

Protected by copyright. Copying for private or commercial purposes, in part or in whole, is not permitted unless authorised by AUDI AG. AUDI AG does not guarantee or accept any liability for errors or omissions. © Audi AG 2002. All rights reserved. Copyright by AUDI AG.

- ◆ Installing:
  - By squeezing it together in centre remove clip -Item 7- from A-pillar (always replace clip).
  - Insert new clip -Item 7- in A-pillar trim -Item 1- and press in fastener -Item 8- (ensure firm fit).
  - Clip -7- must be perpendicular to contact surface.



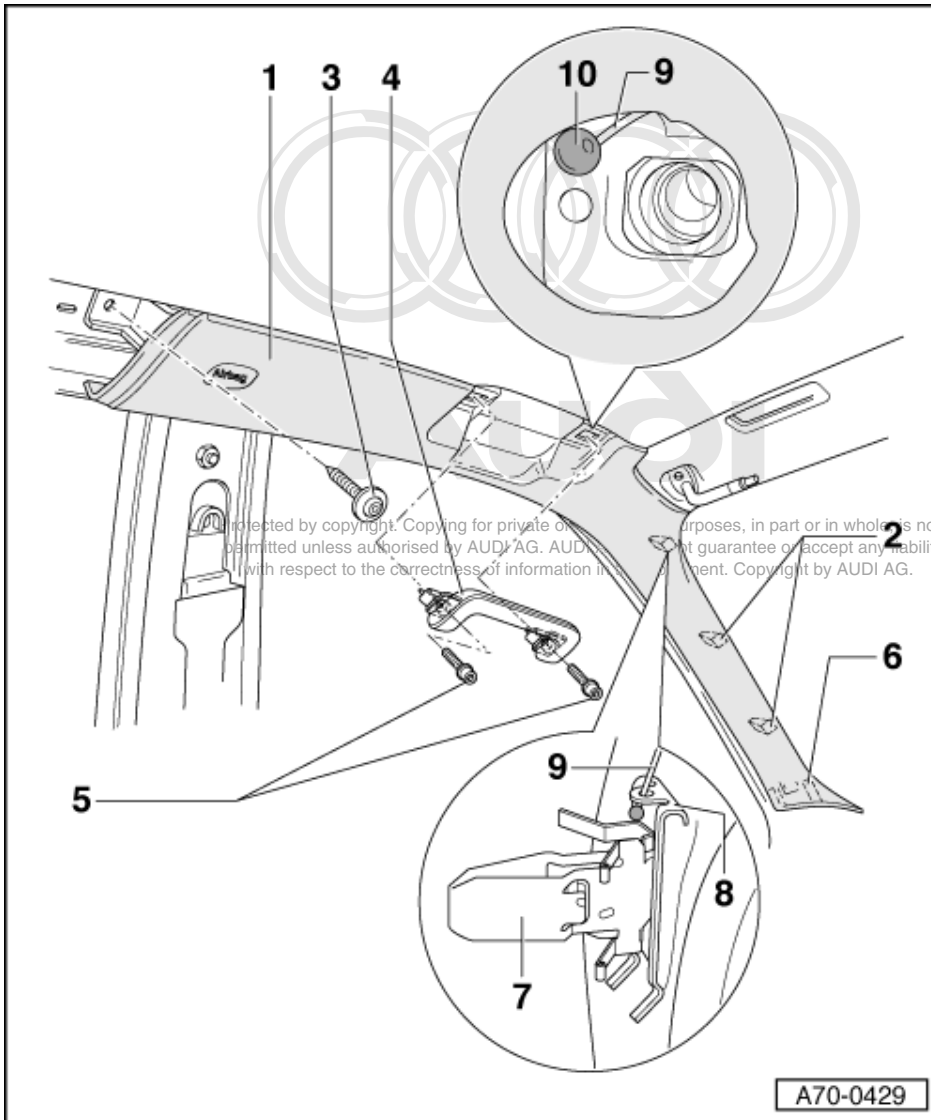


- Clip in stud -Item 10- at front cut-out in A-pillar trim -Item 1- for grab handle.
- Stud must make contact with fastener -Item 8- (fix in position with hot-set adhesive).
- Insert A-pillar trim -Item 1- in tab -Item 6-.
- Align trim at clips.

**Important**  
Ensure that trim is firmly seated.

- Insert A-pillar trim -Item 1- in rubber door seal.
- Screw in bolt -Item 3-.

Protected by copyright. Copying for private or commercial purposes, in part or in whole, is not permitted unless authorised by AUDI AG. AUDI AG does not guarantee or accept any liability with respect to the correctness of information in this document. Copyright by AUDI AG.



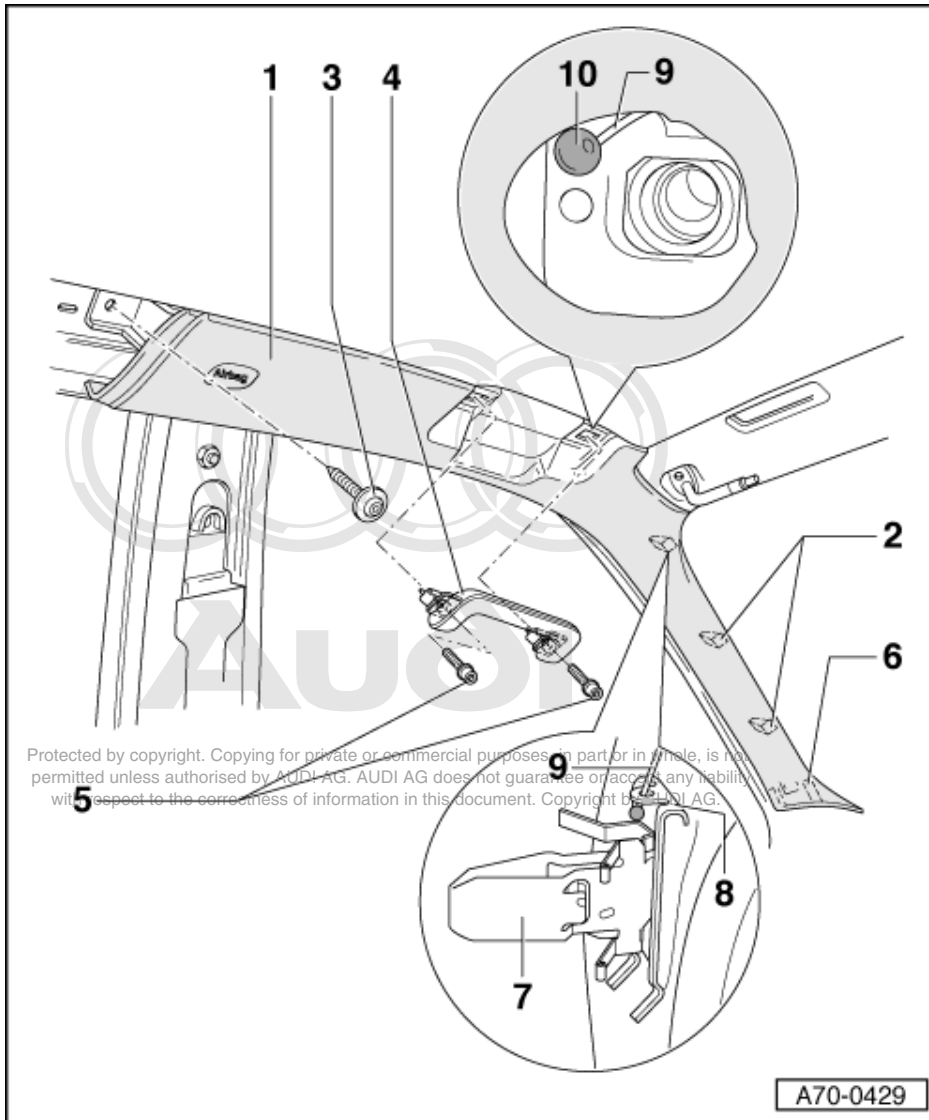
- Fit grab handle => Page 199 .

**Note:**

*When fitting A-pillar trim only press on side facing windscreen/headliner, do not knock into position.*

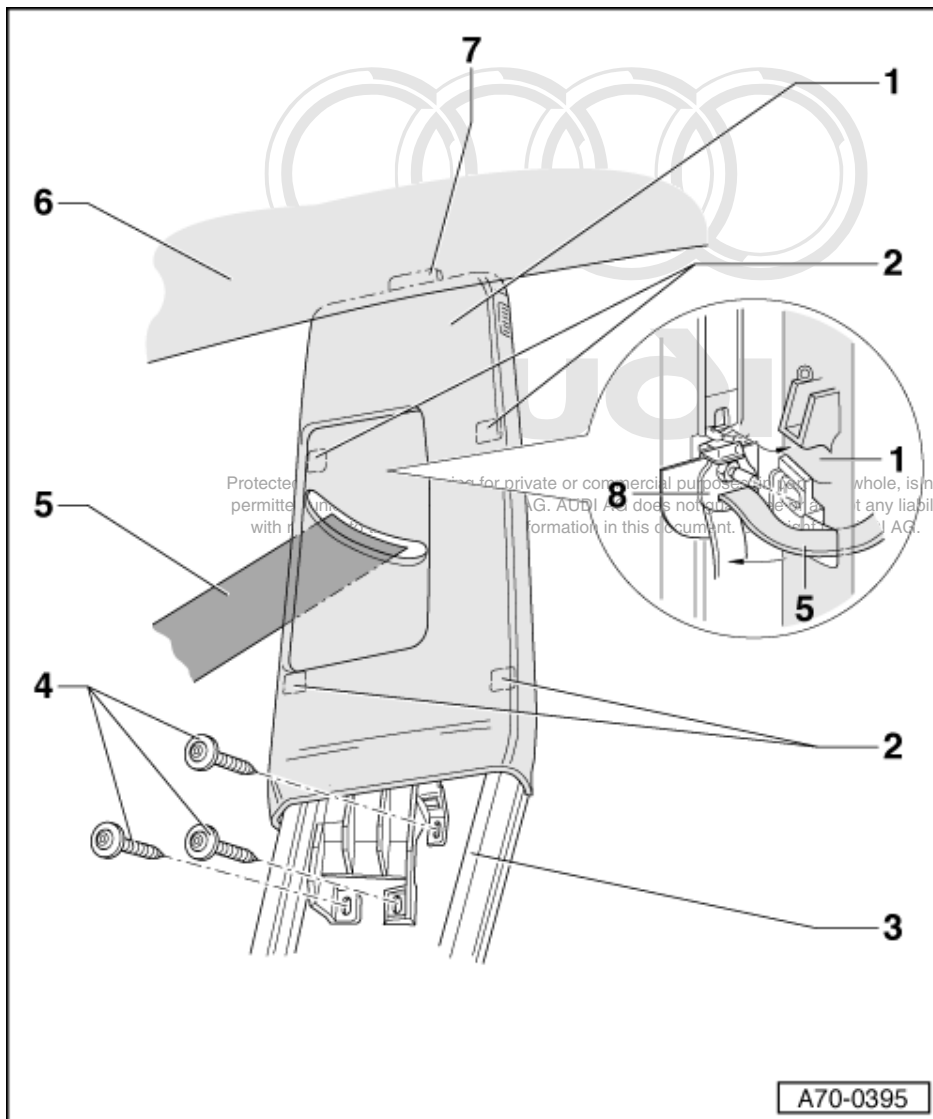
- Clip in A-pillar trim -Item 1- (3x).
- At clip -7- press home trim -1- with palm of hand.

- 2 A-pillar**
- 3 Bolt - 5.5 Nm**
  - ◆ Self-locking
  - ◆ Replace
- 4 Front grab handle**
  - ◆ Removing => Page 199
- 5 Bolt - 5.5 Nm**
  - ◆ 2 off
  - ◆ Self-locking
  - ◆ Replace



- 6 Tab
- 7 Clips
  - ◆ Replace
- 8 Bracket
- 9 Clamp
- 10 Wire cable
- 11 Stud

### 5.3 - Removing and installing upper B-pillar trim



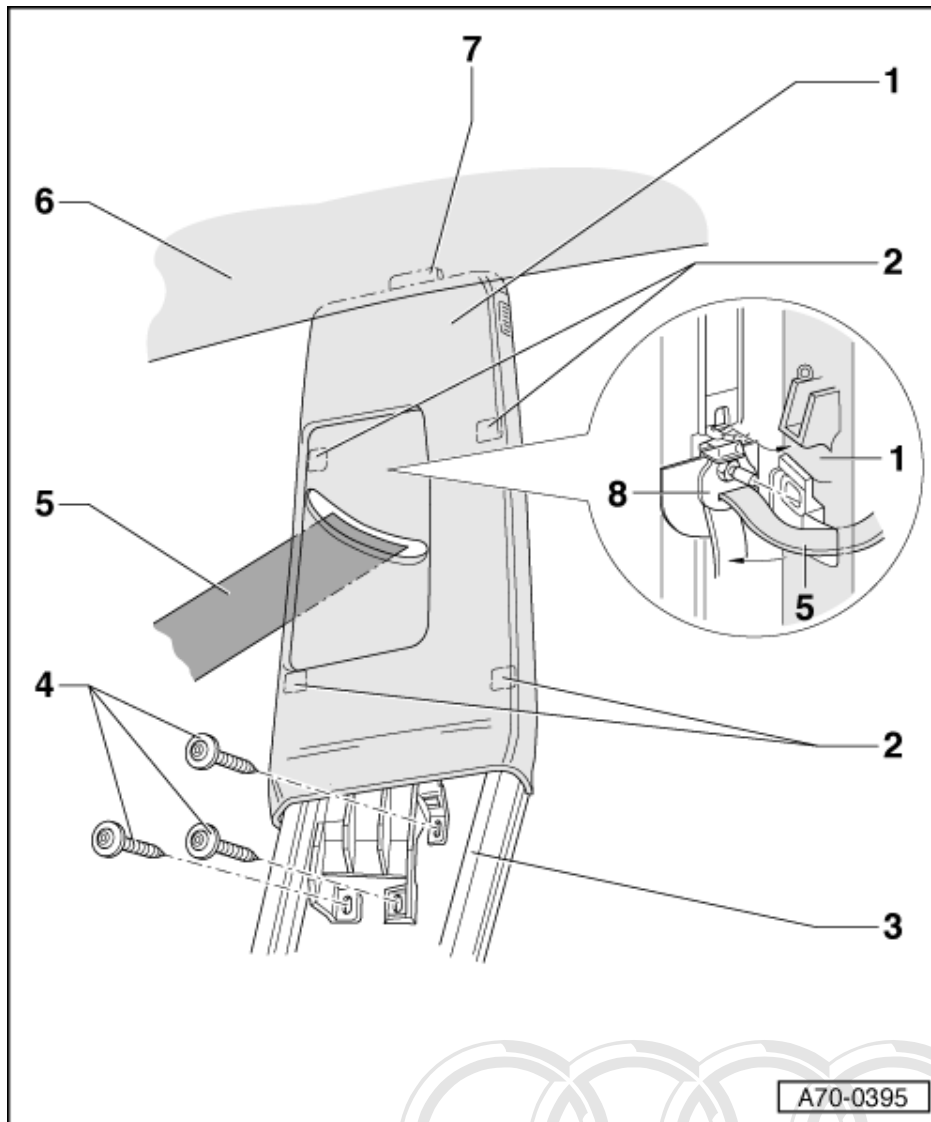
#### Important

#### Note:

Removal and installation of upper B-pillar trim -Item 1- is the same in vehicles with or without head airbag.

#### 1 B-pillar trim

- ◆ Removing:
  - Unscrew seat belt from seat => Fig. 75 .
  - Remove lower B-pillar trim => Page 224 .
  - Remove cross-head screws -Item 4-.



- Pull trim downwards out of head airbag guide.
- Ease three point seat belt -Item 5- out of B-pillar trim.

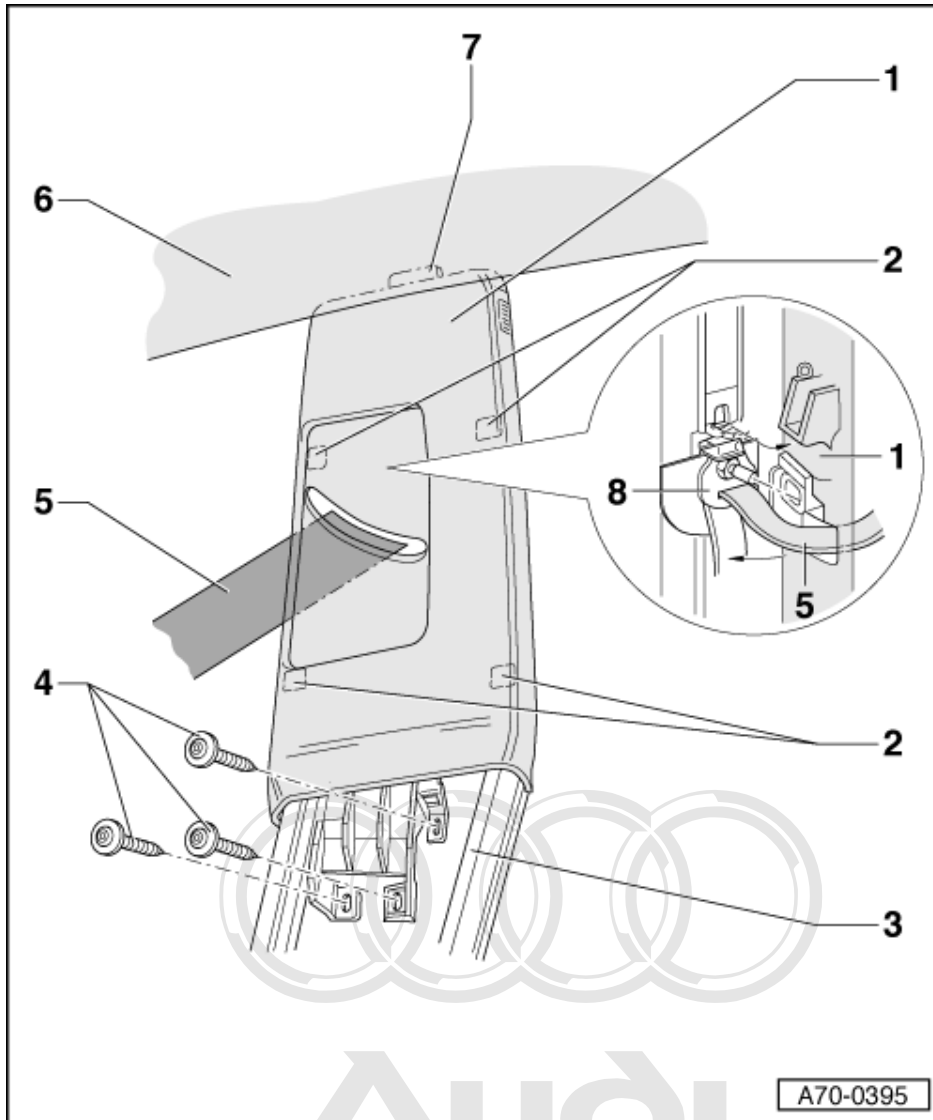
**Important**  
Always adhere to installation sequence for B-pillar trim

- ◆ Installing:
  - Slip tab beneath -Item 7- from underneath into head airbag guide.
  - Assemble B-pillar trim with manual height adjustment mechanism -Item 8- as shown.

**Note:**

Protected by copyright. Copying for private or commercial purposes, in part or in whole, is not permitted unless authorised by AUDI AG. AUDI AG does not guarantee or accept any liability with respect to the correctness of information in this document. Copyright by AUDI AG.

*Do not press button for manual height adjustment when installing.*



- Position trim -1- beneath tabs -Item 2-.
- Press trim upwards.
- Check firmness of trim -Item 1-

Protected by copyright. Copying for private or commercial purposes, in part or in whole, is not permitted unless authorised by AUDI AG. AUDI AG does not guarantee or accept any liability with respect to the correctness of information in this document. Copyright by AUDI AG.

**Important**  
 Ensure that trim is firmly seated.

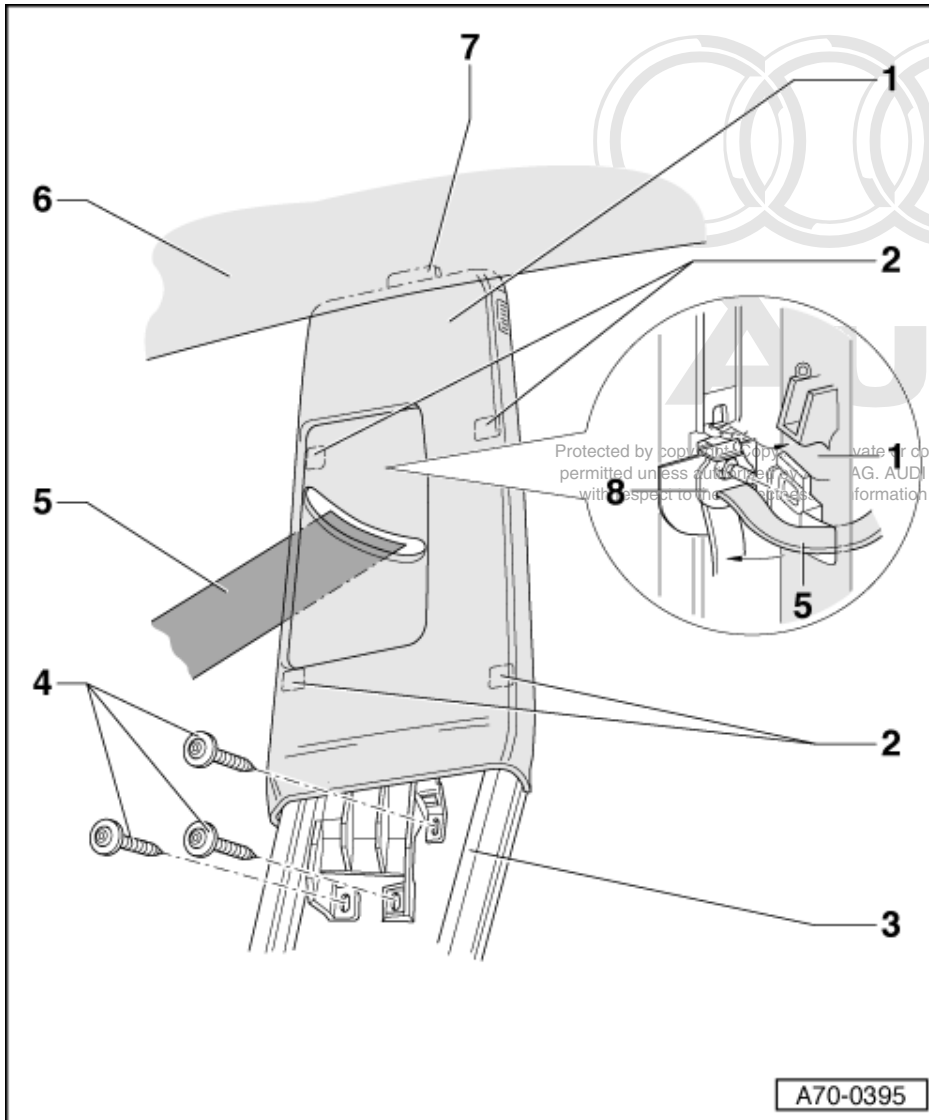
- Screw in bolts -Item 4- (3x).

**Notes:**

- ◆ Manual belt height adjustment mechanism must be heard to engage in all 5 positions.
- ◆ After being actuated button must always return to upper position.

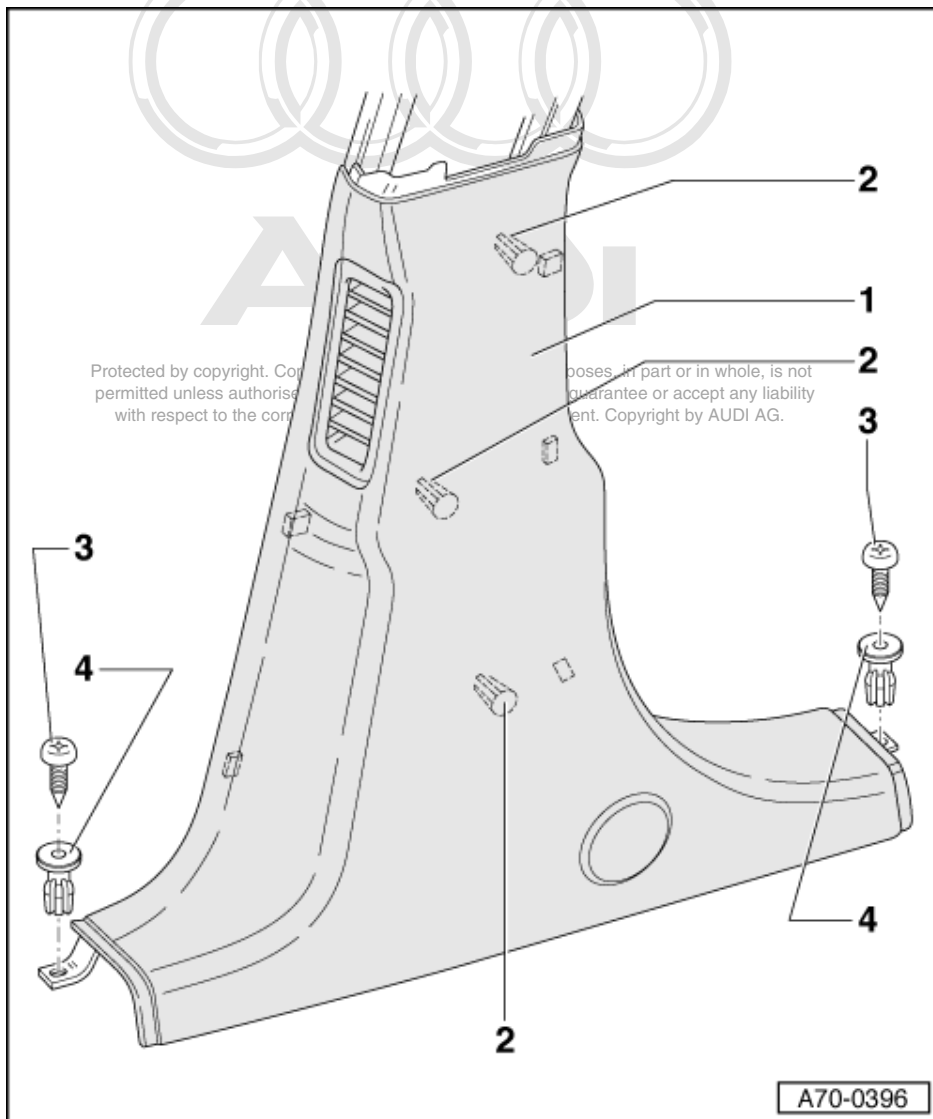
**2 Tab**

- ◆ 4 off



- 3 B-pillar
- 4 Cross-head screw - 4 Nm
  - ◆ 3 off
- 5 Three-point seat belt
- 6 Upper A-pillar trim
- 7 Tab
- 8 Height adjuster

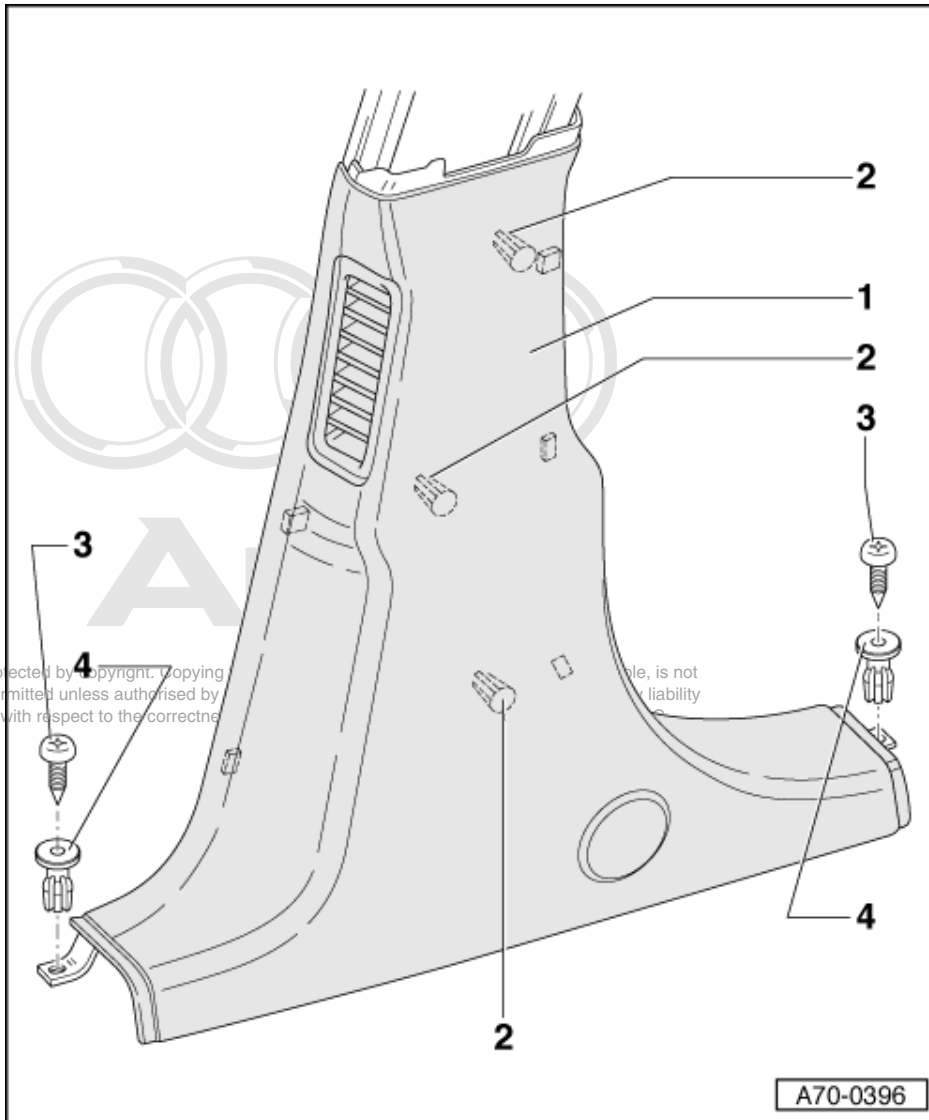
### 5.4 - Removing and installing lower B-pillar trim



#### 1 Lower B-pillar trim

- ◆ Removing:
  - Unclip front sill panel trim => Page 212 .
  - Unclip lower C-pillar trim at transition to B-pillar trim.
  - Remove cross-head screws -Item 3-.
  - Remove split rivet -Item 4-.
  - Lift trim slightly and detach connectors.
  - Detach trim downwards.





Protected by copyright. Copying  
permitted unless authorised by  
with respect to the correctne

le, is not  
liability

- ◆ Installing:
- Fix trim in position at B-pillar with locating pins -Item 2-.
- Press in split rivet -Item 4-.
- Screw in cross-head screws -Item 3-.

**2 Locating pins**

- ◆ 3 off

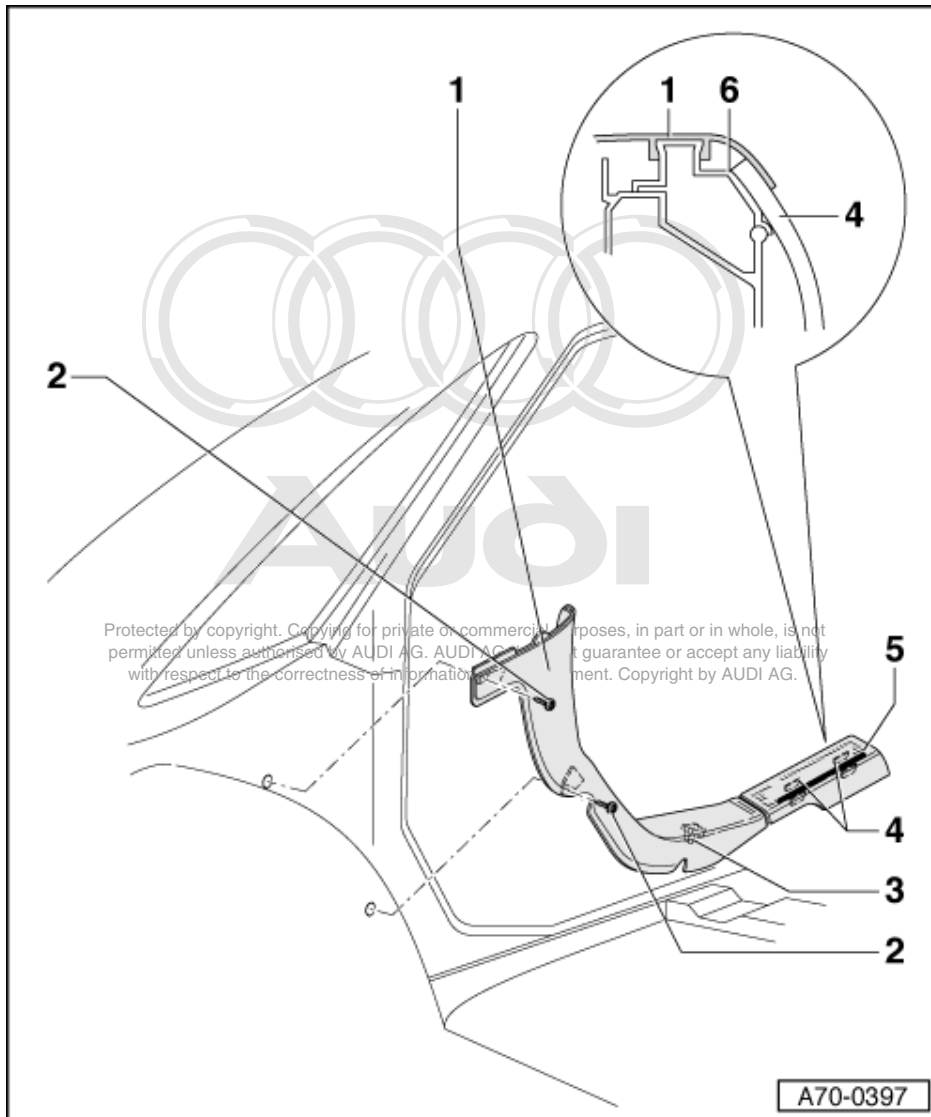
**3 Cross-head screw - 3 Nm**

- ◆ 2 off

**4 Spreader rivet**

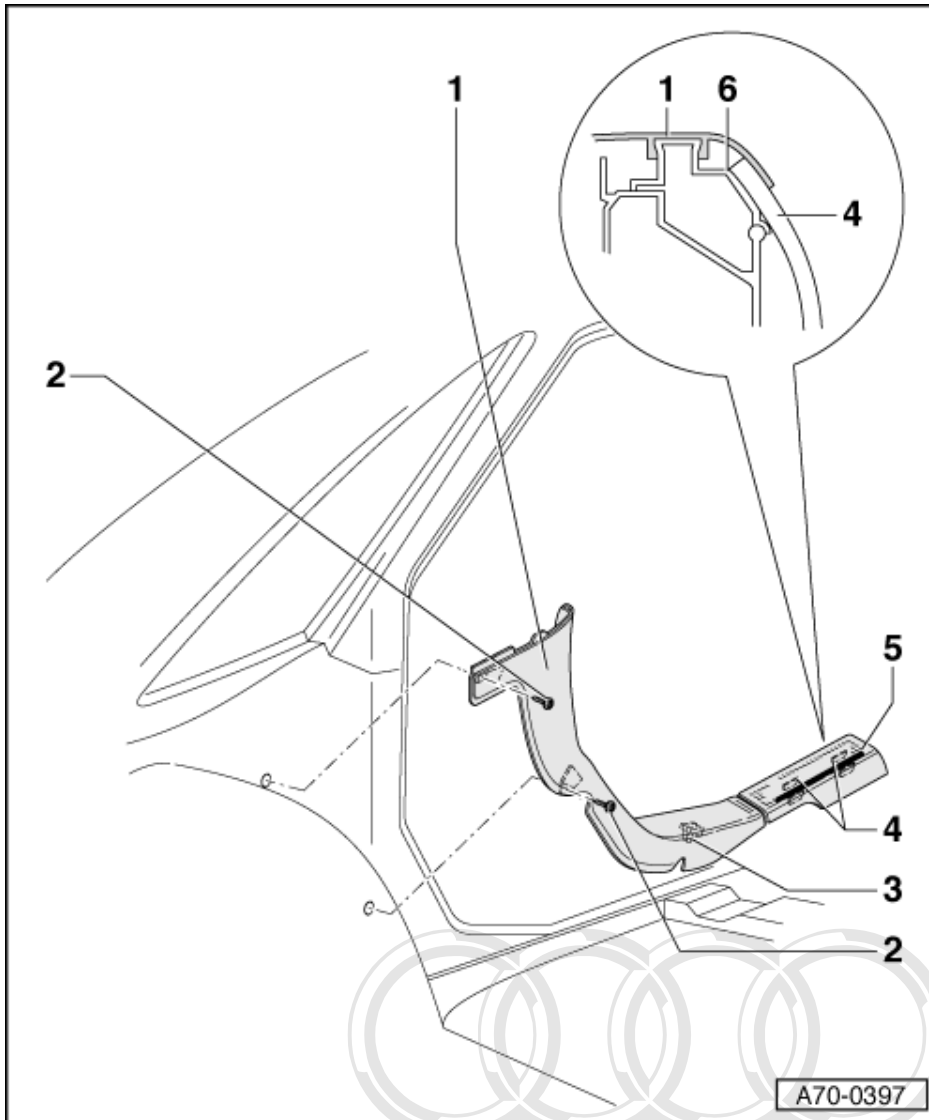
- ◆ 2 off

## 5.5 - Removing and installing lower C-pillar trim



### 1 Lower C-pillar trim

- ◆ Removing:
  - Remove rear seat backrest=>Page 369 .
  - Remove cross-head screws -Item 2 -.
  - Unclip trim at fastener -Item 3-.
  - Unclip engaging hook -Item 4- of C-pillar trim from fastening strip -Item 6- at transition to B-pillar trim.
  - Pull C-pillar trim downwards out of upper trim.



**2 Cross-head screw - 0.5 Nm**

- ◆ 2 off

**3 Clamp**

**4 Locking tab**

**5 Butyl cord**

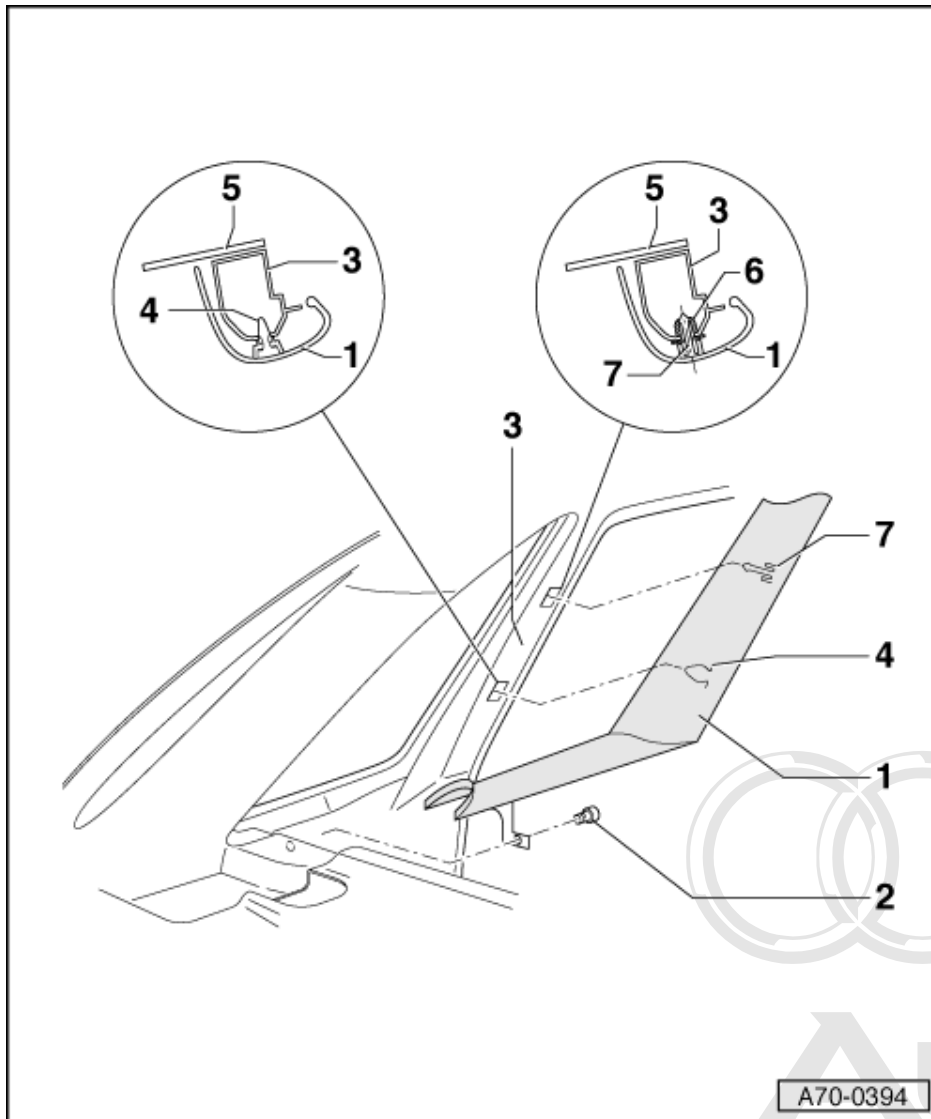
- ◆ 40 mm long
- ◆ AKL 450 005 05

**6 Retaining strip**

**7 Rear floor covering**

Protected by copyright. Copying for private or commercial purposes, in part or in whole, is not permitted unless authorised by AUDI AG. AUDI AG does not guarantee or accept any liability with respect to the correctness of information in this document. Copyright by AUDI AG.

## 5.6 - Removing and installing upper C-pillar trim



### Important

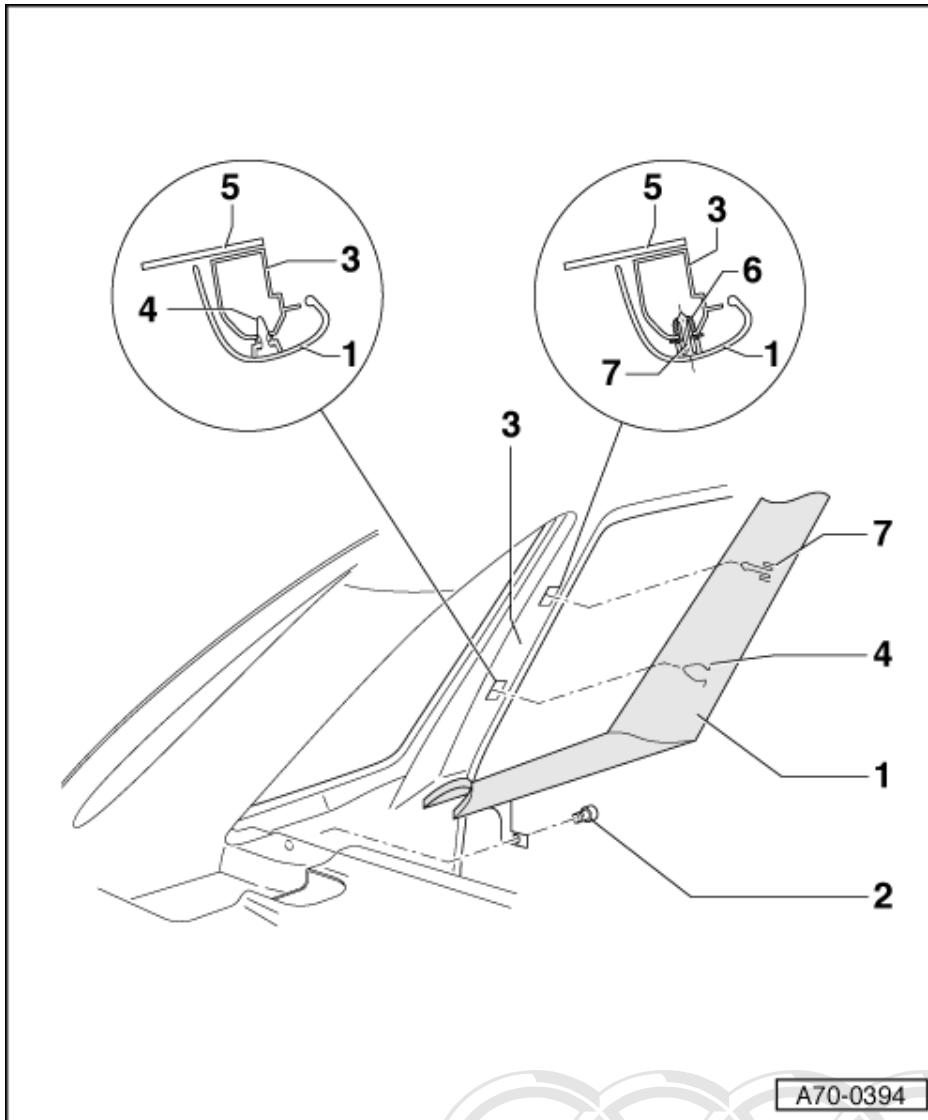
Protected by copyright. Copying for private or commercial purposes, in part or in whole, is not permitted unless authorised by AUDI AG. AUDI AG does not guarantee or accept any liability with respect to the correctness of information in this document. Copyright by AUDI AG.

### Note:

Removal and installation of upper C-pillar trim -1- is the same in vehicles with or without head airbag.

### 1 Upper C-pillar trim

- ◆ Removing:
  - Remove rear seat backrest=>Page 369 .
  - Remove lower C-pillar trim =>Page 226 .



- Remove front side retaining clip of rear shelf.
- Unscrew bolt -Item 2-.
- Unclip trim from C-pillar - 3 -.

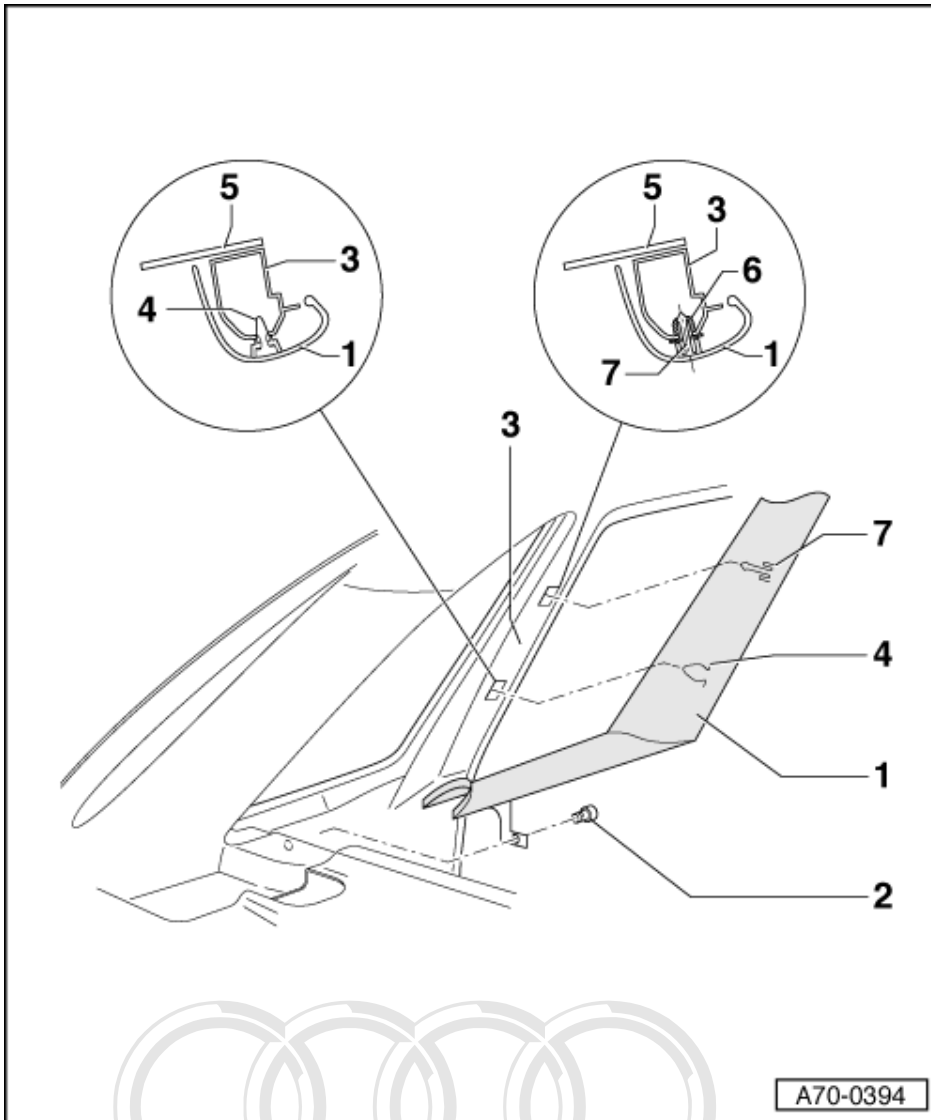
**Important**  
Always adhere to installation sequence for C-pillar trim

- ◆ Installing:
- Clip trim into C-pillar -Item 3 - (2x).

**Important**  
Ensure that trim is firmly seated.

Protected by copyright. Copying for private or commercial purposes, in part or in whole, is not permitted unless authorised by AUDI AG. AUDI AG does not guarantee or accept any liability with respect to the correctness of information in this document. Copyright by AUDI AG.

- Check firmness by pulling on top edge of trim.
- Screw in bolt -Item 2-.
- Remainder of installation is carried out in reverse order of removal.

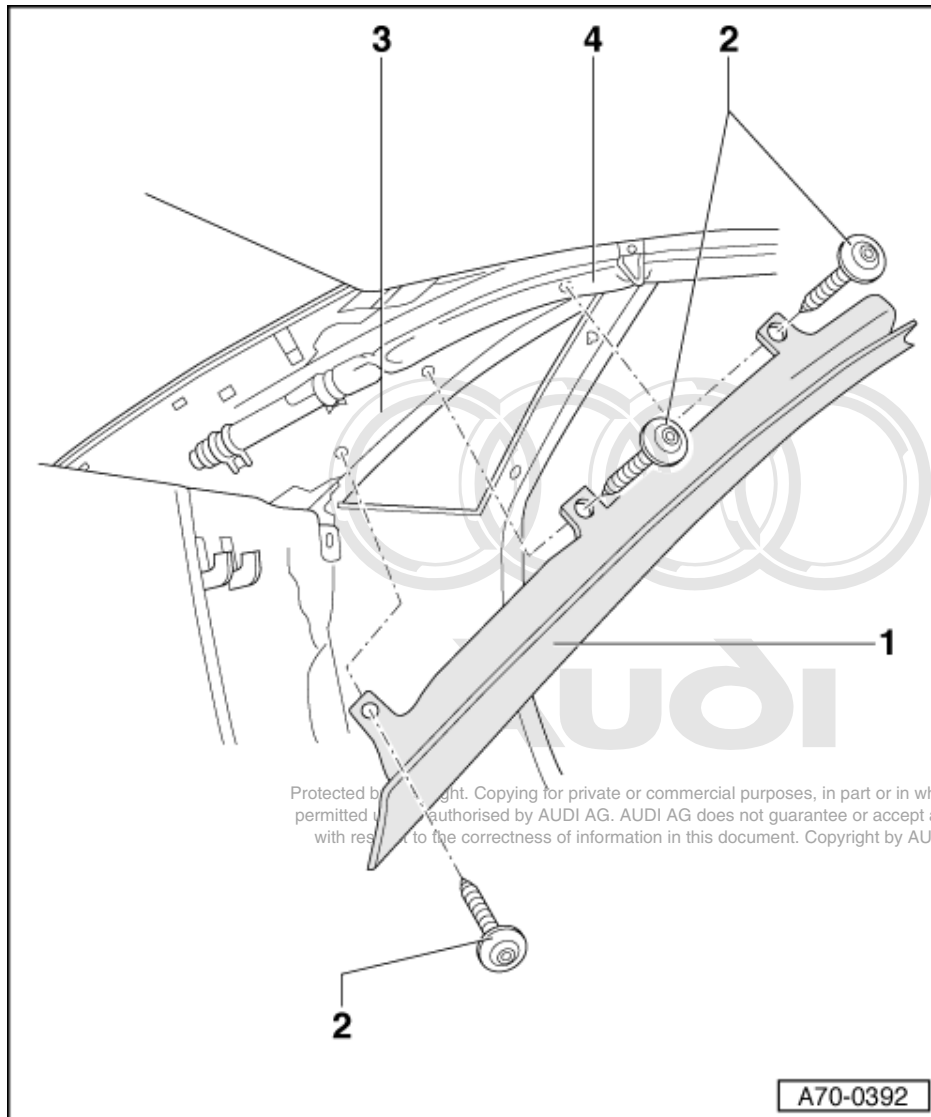


A70-0394

- 2 Cross-head screw - 4 Nm
- 3 C-pillar
- 4 Bracket
- 5 Side window
- 6 Grommet
  - ◆ Replace
- 7 Locking tab

Protected by copyright. Copying for private or commercial purposes, in part or in whole, is not permitted unless authorised by AUDI AG. AUDI AG does not guarantee or accept any liability with respect to the correctness of information in this document. Copyright by AUDI AG.

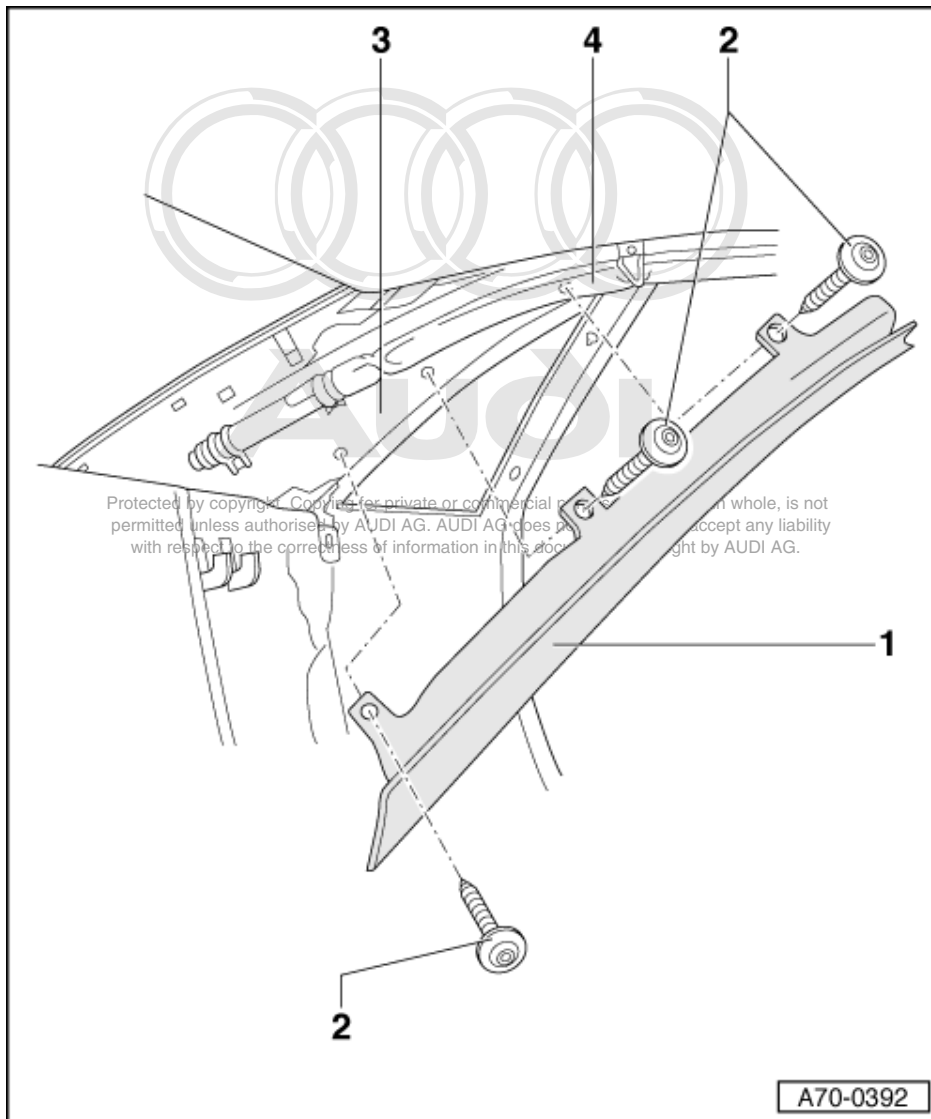
## 5.7 - Removing and installing narrow D-pillar trim



### Important

#### 1 Narrow D-pillar trim

- ◆ Removing:
  - Remove D-pillar trim => Page 233 .
  - Press head airbag -Item 4- upwards at upper bolt -Item 2- (do not use pointed or sharp object).
  - Unscrew bolts -Item 2- (3x).



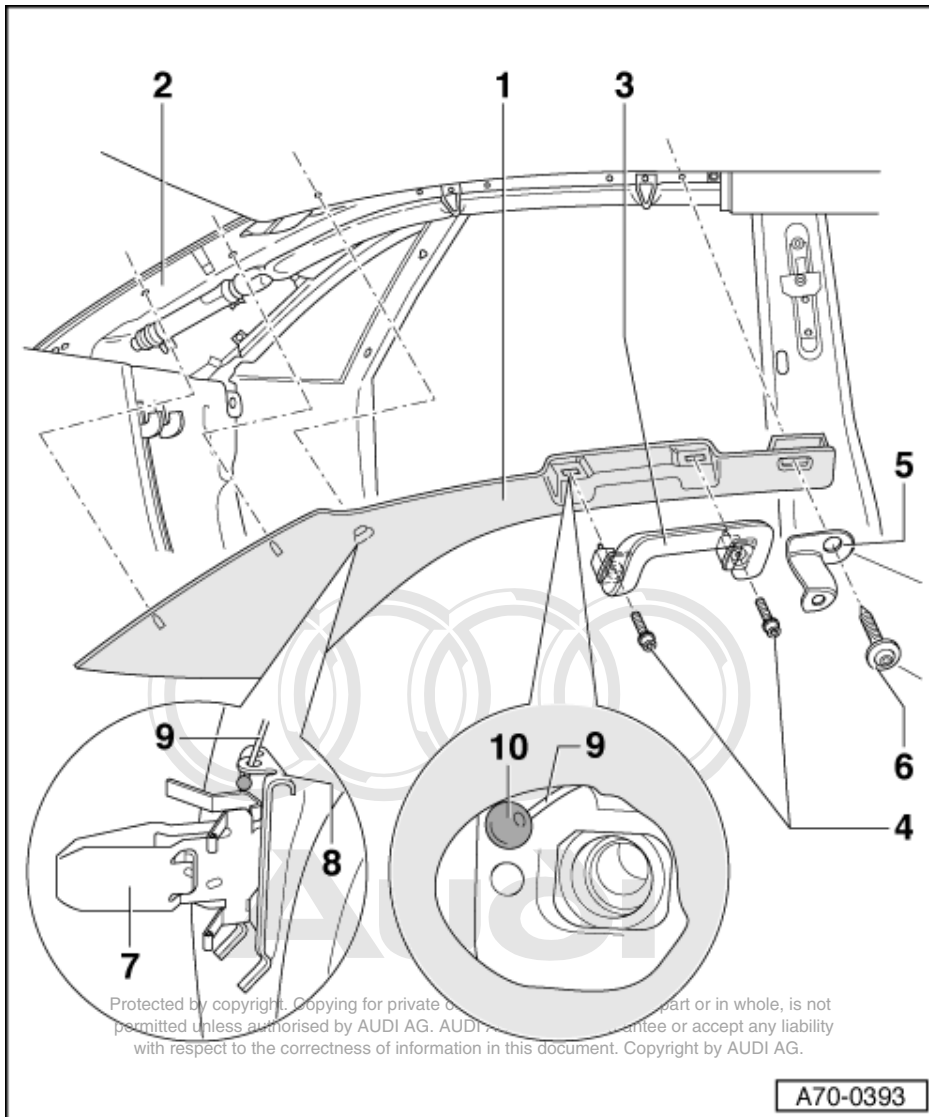
- ◆ Installing:
- Align narrow D-pillar trim with C-pillar trim.

Important  
Ensure that trim is firmly seated.

- 2 Bolt - 5.5 Nm**
  - ◆ 3 off
  - ◆ Self-locking
  - ◆ Replace
- 3 D-pillar trim**
- 4 Head airbag**



## 5.8 - Removing and installing D-pillar trim



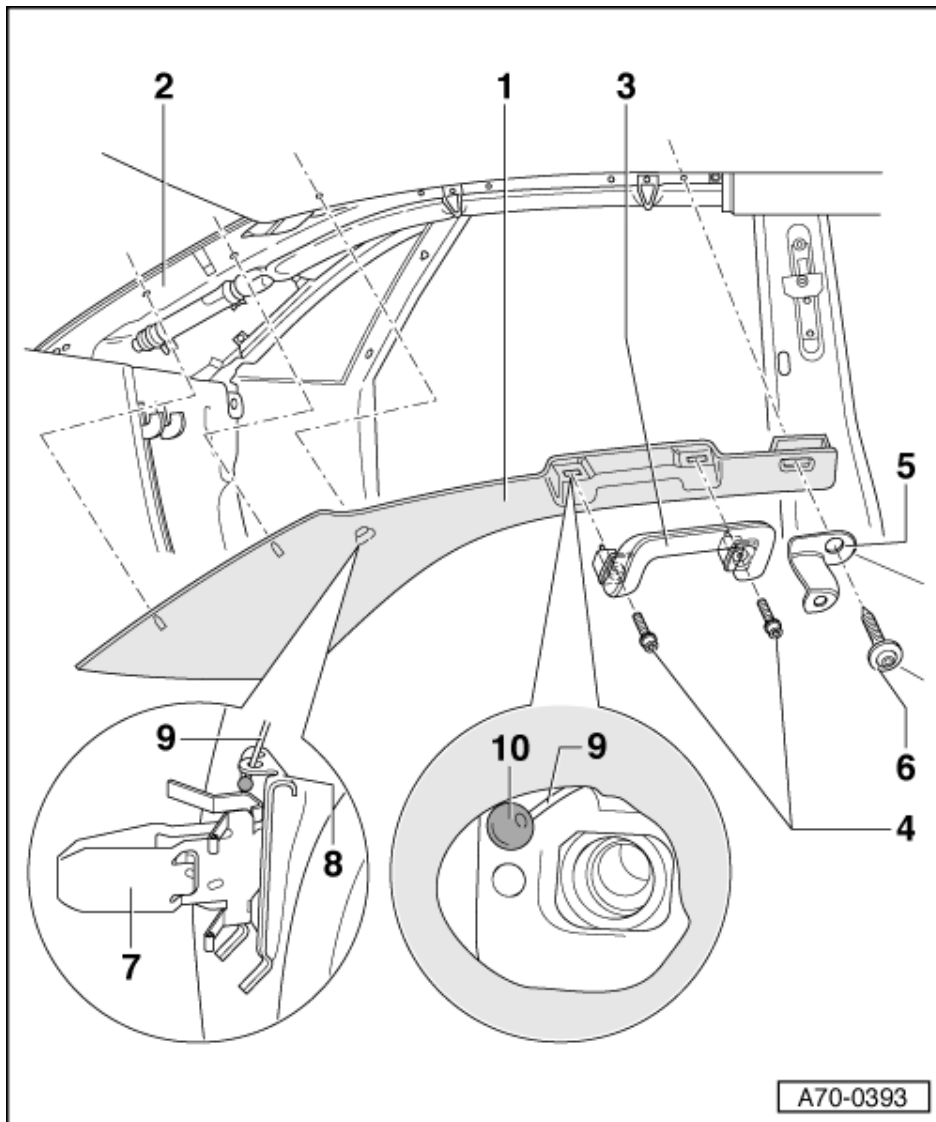
### Important

#### Note:

Removal and installation of C-pillar trim -Item 1- is the same in vehicles with or without head airbag.

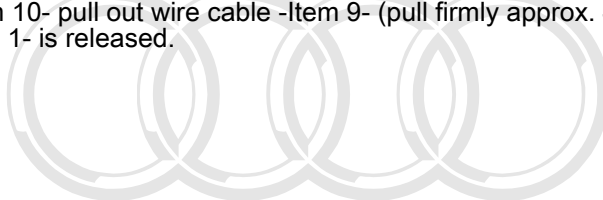
#### 1 D-pillar trim

- ◆ Removing:
  - Remove respective head restraint by pressing button on head restraint guide.



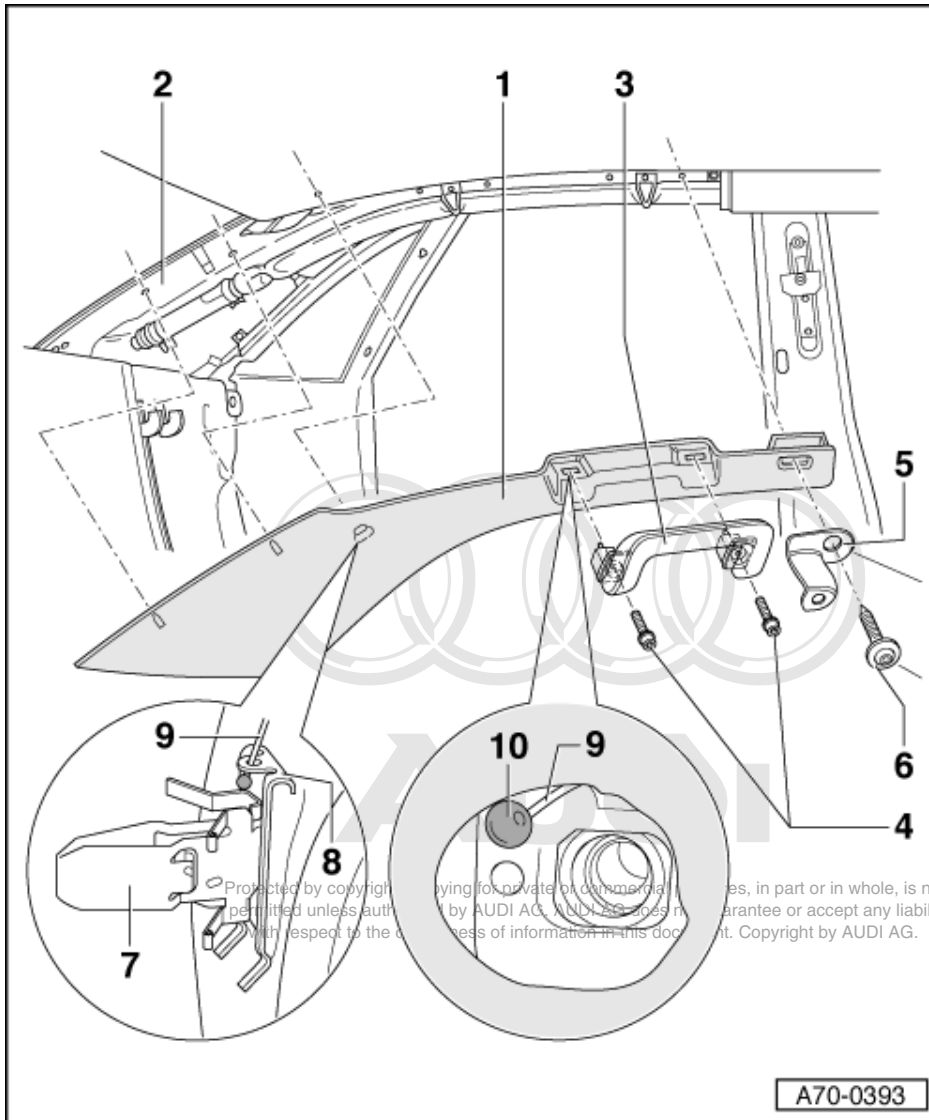
A70-0393

- Remove coat hook =>Page 199 .
- Remove grab handle -Item 3- =>Page 199 .
- Unscrew bolt -Item 6-
- Take out coat hook bracket -Item 5-
- Use small screwdriver to lever stud -Item 10- out of rear cut-out in D-pillar trim -Item 1- for grab handle.
- By applying pliers to stud -Item 10- pull out wire cable -Item 9- (pull firmly approx. 40 mm in direction of B-pillar) until D-pillar trim -Item 1- is released.



Audi

Protected by copyright. Copying for private or commercial purposes, in part or in whole, is not permitted unless authorised by AUDI AG. AUDI AG does not guarantee or accept any liability with respect to the correctness of information in this document. Copyright by AUDI AG.



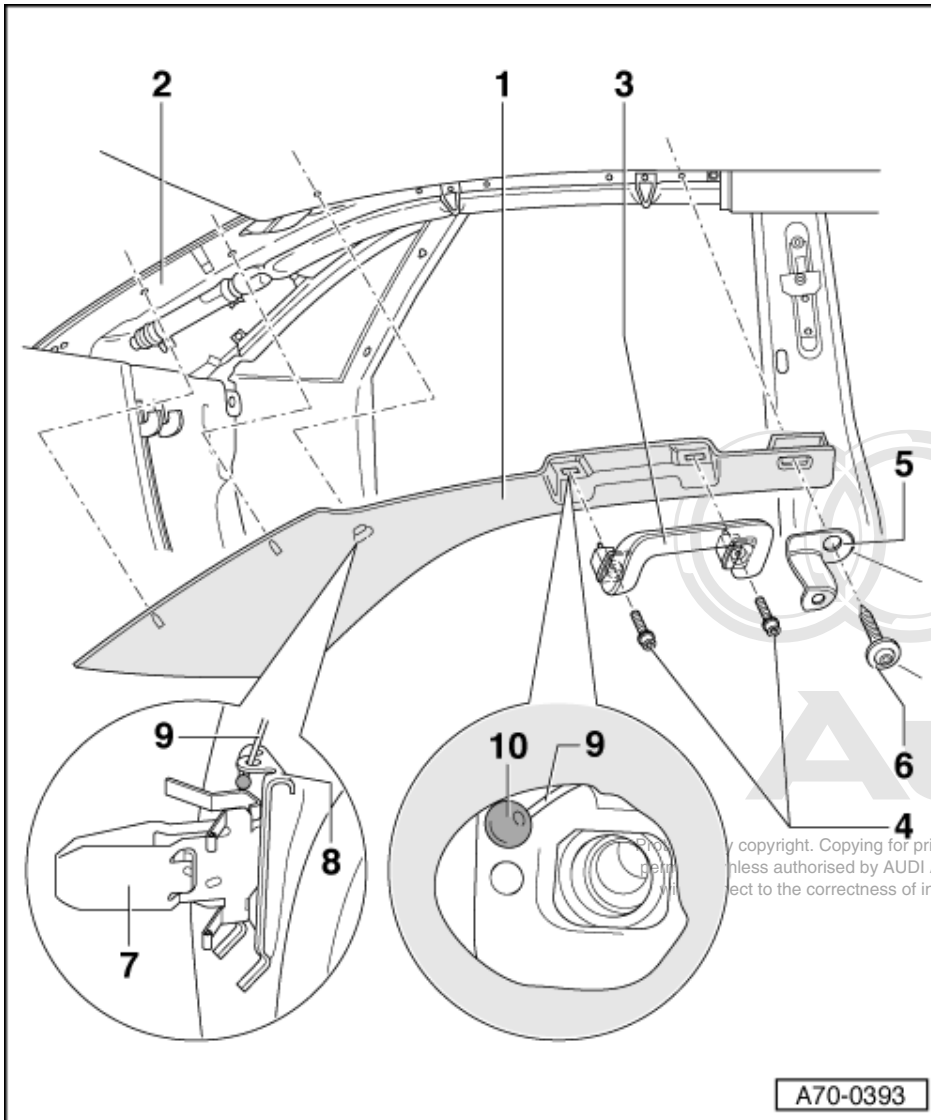
**Note:**

*When disassembling trim of D-pillar -Item 1- only pull on side facing headliner.*

- Detach trim -1- from clip -7- by shaking it gently.
- Unclip trim from D-pillar -Item 2 -.

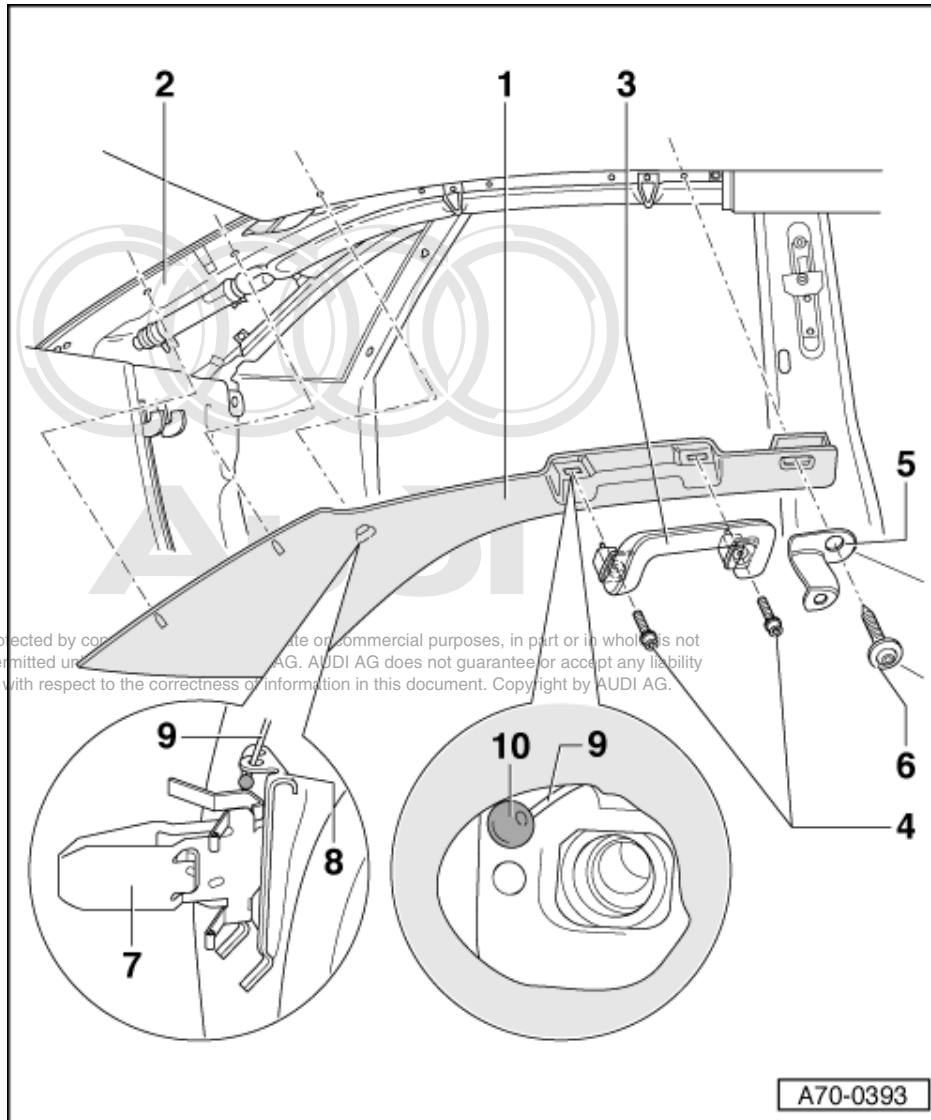
**Important**  
Always adhere to installation sequence for D-pillar trim

- ◆ Installing:
  - By squeezing it together in centre remove clip -Item 7- from D-pillar -Item 2- (always replace clip).
  - Insert new clip -Item 7- in D-pillar trim -Item 1- and press in fastener -Item 8- (ensure firm fit).



Copyright. Copying for private or commercial purposes, in part or in whole, is not permitted without the express written permission of Audi AG. Audi AG does not guarantee or accept any liability for the correctness of information in this document. Copyright by Audi AG.

- Clip -7- must be perpendicular to contact surface.
- Clip in stud -Item 10- at rear cut-out in D-pillar trim -Item 1- for grab handle.
- Stud must make contact with fastener -Item 8- (fix in position with hot-set adhesive).
- Align trim at clips.
- Insert D-pillar trim -Item 1- in narrow D-pillar trim.
- Insert D-pillar trim -Item 1- in rubber door seal.
- Screw in bolt -Item 6- with bracket -Item 5-.
- Fit grab handle => Page 199 .



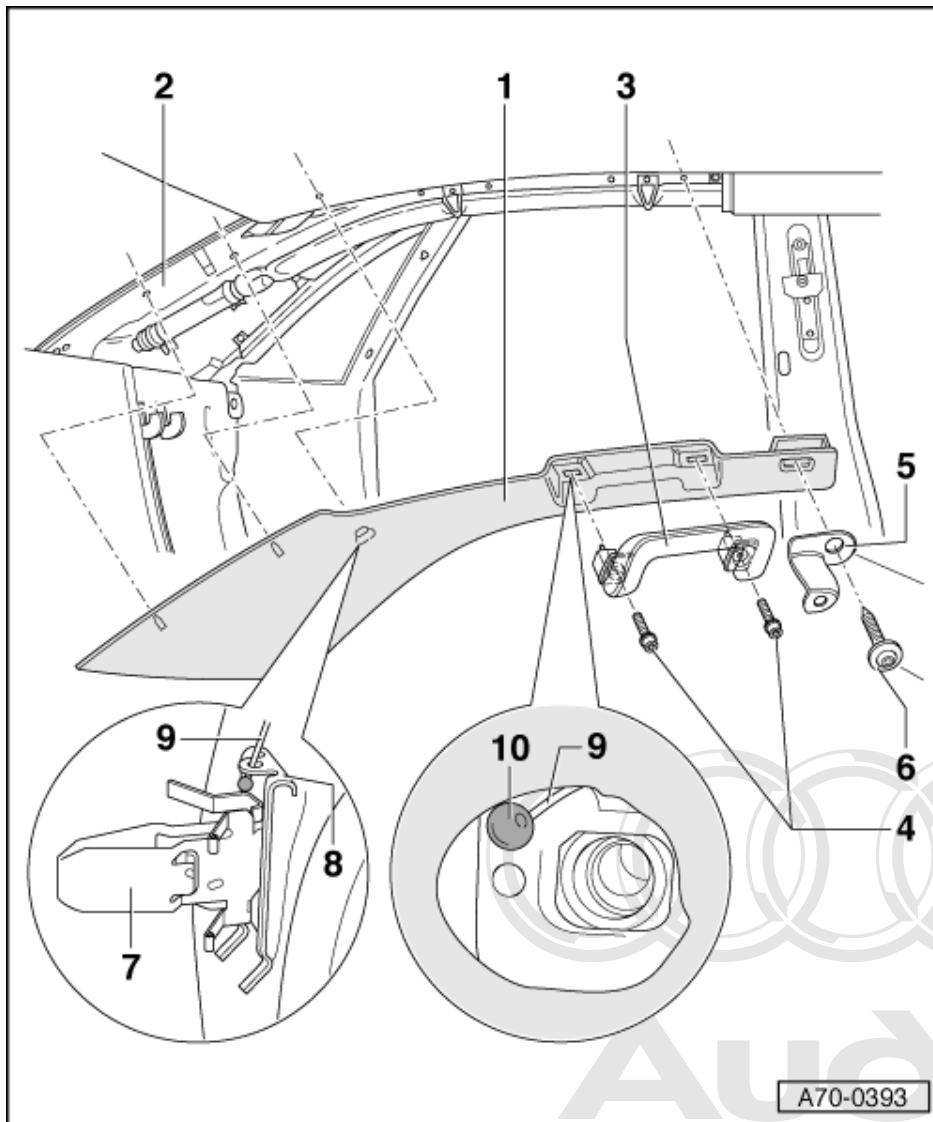
**Note:**

*When fitting D-pillar trim only press on side facing windscreen/headliner; do not knock into position.*

- Clip in D-pillar trim -Item 1- (3x).
- At clip -7- press home trim -1- with palm of hand.

Important  
Ensure that trim is firmly seated.

- 2 D-pillar trim**
- 3 Front grab handle**
  - ◆ Removing => Page 199
- 4 Bolt - 5.5 Nm**
  - ◆ 2 off
  - ◆ Self-locking
  - ◆ Replace



- 5 Bracket for coat hook**
- 6 Bolt - 5.5 Nm**
  - ◆ Self-locking
  - ◆ Replace
- 7 Clips**
  - ◆ Replace
- 8 Clamp**
- 9 Wire cable**
- 10 Stud**

Protected by copyright. Copying for private or commercial purposes, in part or in whole, is not permitted unless authorised by AUDI AG. AUDI AG does not guarantee or accept any liability with respect to the correctness of information in this document. Copyright by AUDI AG.

## 6 - Roof trim

### 6.1 - Roof trim

### 6.2 - Replacing moulded headliner

#### *Notes:*

- ◆ The moulded headliner, which is directly bonded to the roof, cannot be removed non-destructively.
- ◆ Vehicles without sliding/tilting roof: To prevent the roof from being deformed, the headliner must first be cut into approx. 100 mm wide strips and then detached strip by strip from the roof. Since the strength of the roof is least at the centre, stripping is begun from the centre.
- ◆ When panel-beating on the roof, the moulded headliner should initially only be removed in the damaged area. Only when the panel-beating is completed should the moulded headliner be removed, as described below.

#### **Special tools, testers and auxiliary items required**

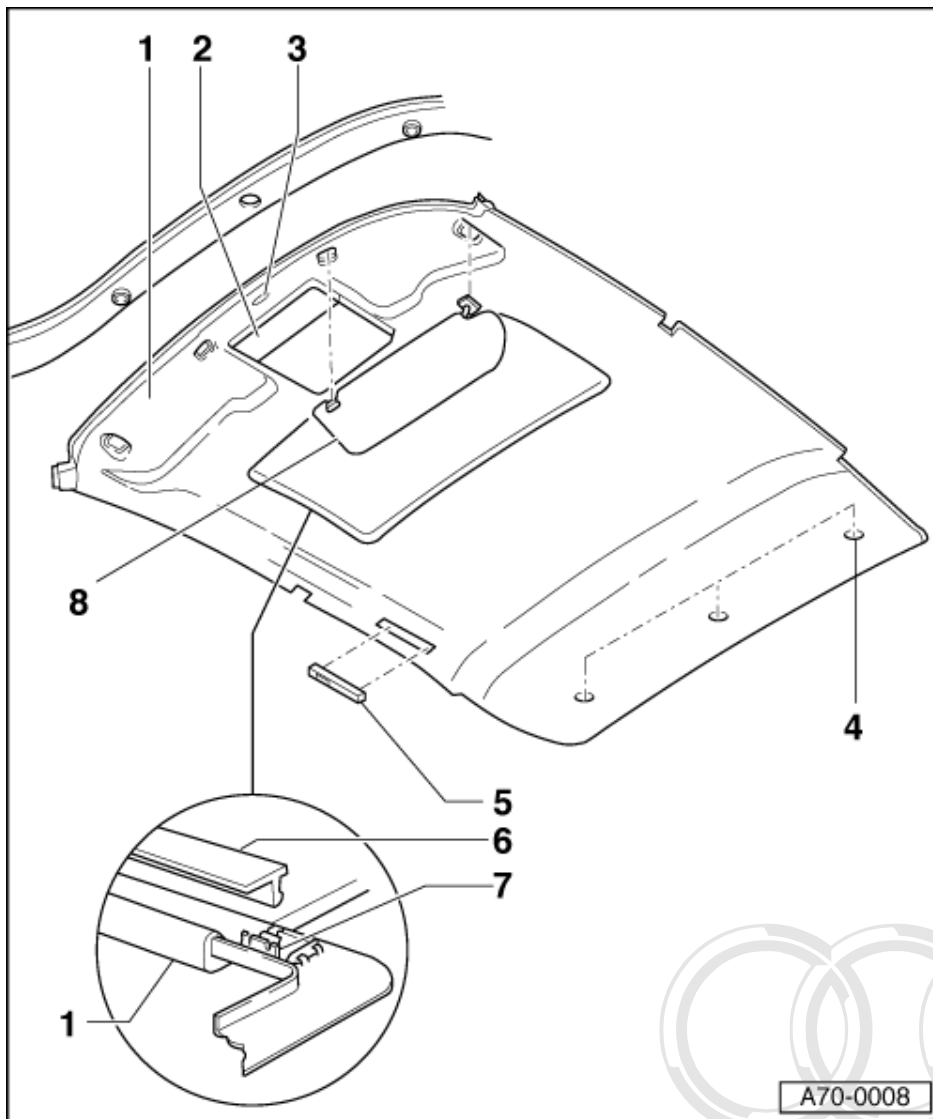
- ◆ Wallpaper roller
- ◆ Carpet knife with serrated blade
- ◆ Hot-air blower



Audi

Protected by copyright. Copying for private or commercial purposes, in part or in whole, is not permitted unless authorised by AUDI AG. AUDI AG does not guarantee or accept any liability with respect to the correctness of information in this document. Copyright by AUDI AG.

### 6.3 - Removing moulded headliner



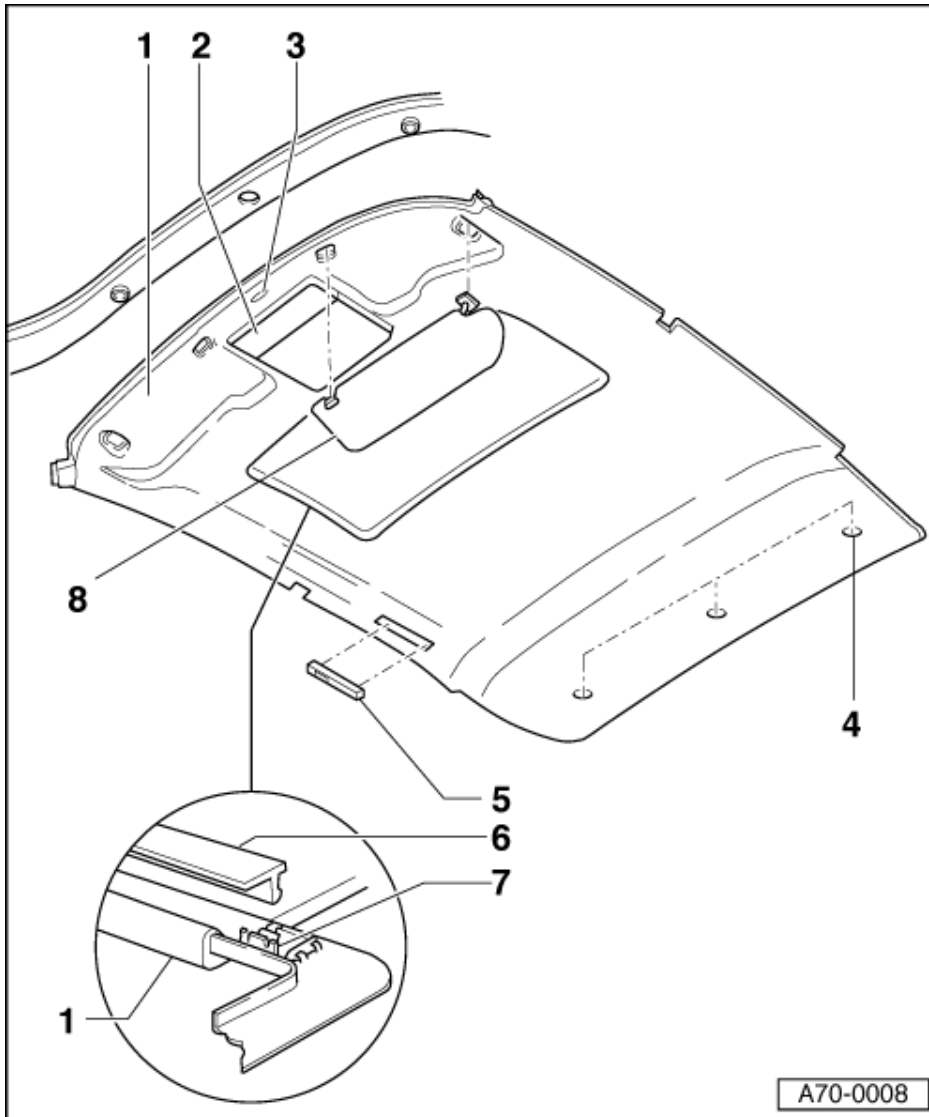
- Refer to coding on vehicles with encoded radio/radio navigation system (RNS); if necessary, interrogate.
- Disconnect battery earthing strap/cable.

#### 1 Moulded headliner

- ◆ Removing:
  - Remove A-pillar trim =>Page 189 .
  - Remove D-pillar trims =>Page 197 .
  - Removing sun visor =>Page 246 .
  - Remove centre sun visor -Item 3 -.
  - Remove cover for sun roof motor =>Page 248 .
  - Lever out interior light -Item 5 -.

Protected by copyright. Copying for private or commercial purposes, in part or in whole, is not permitted unless authorised by AUDI AG. AUDI AG does not guarantee or accept any liability with respect to the correctness of information in this document. Copyright by AUDI AG.





- ◆ Detach moulded headliner from roof => Page 243
- ◆ Installing and fixing moulded headliner in position =>Page 244

## 2 Cover for sun roof motor

- ◆ Removing and installing=>Page 248 .

## 3 Centre sun visor

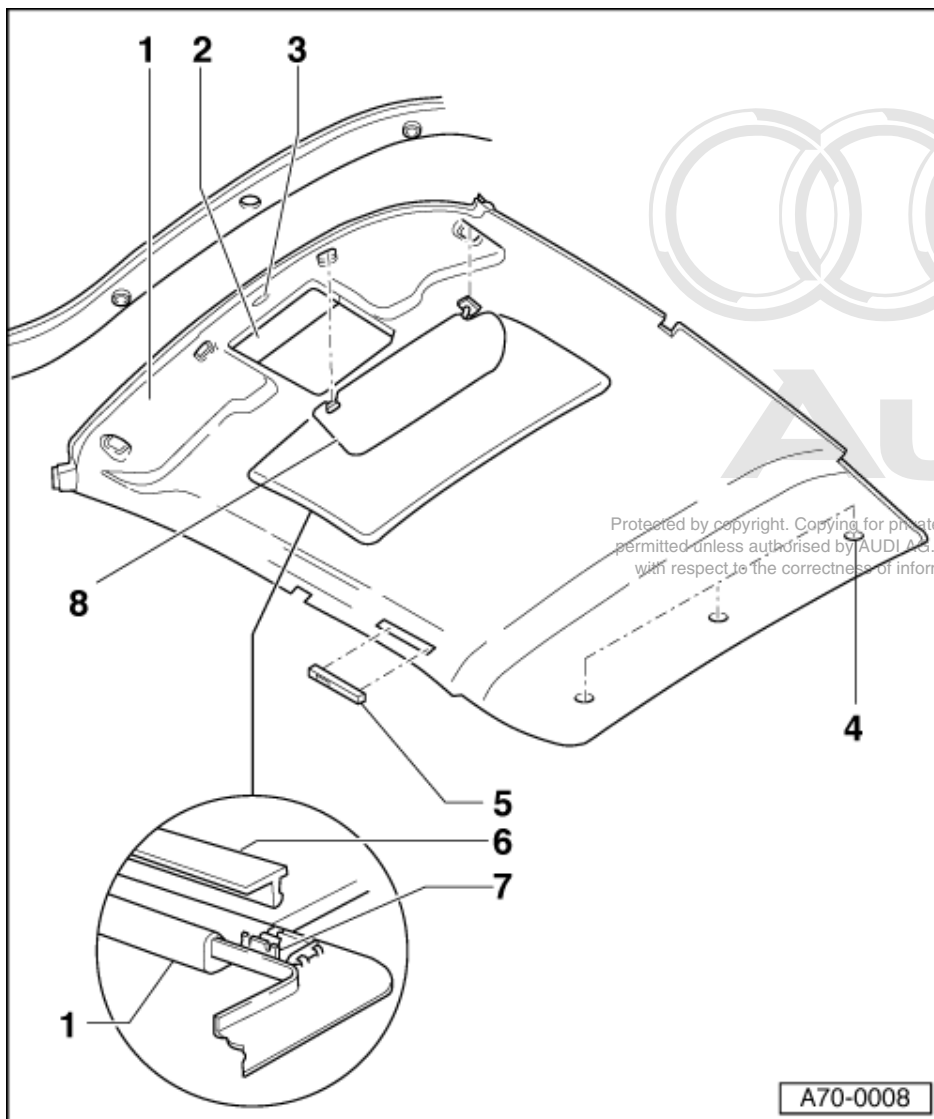
- ◆ Removing:
  - Unclip cover for base of sun visor.
  - Screw out bolts.

## 4 Retaining clip

- ◆ 3 off
- ◆ Installing and fixing moulded headliner in position => Page 244

Audi

Protected by copyright. Copying for private or commercial purposes, in part or in whole, is not permitted unless authorised by AUDI AG. AUDI AG does not guarantee or accept any liability with respect to the correctness of information in this document. Copyright by AUDI AG.



A70-0008

**5 Interior light**

- ◆ 2 off
- ◆ Removing:
  - Insert screwdriver under front of light and lever out.
  - Unfasten wires and detach light.

**6 Masking frame**

- ◆ Lever out of fasteners -Item 7 -

**7 Clamp**

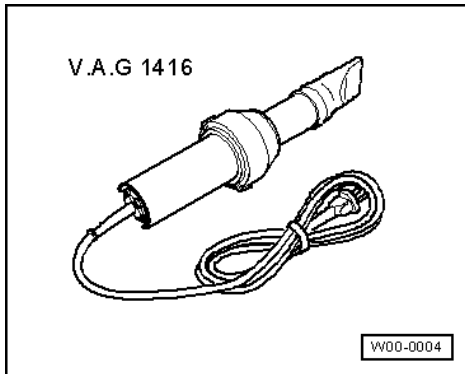
- ◆ 12 off
- ◆ Part of moulded headliner assembly

**8 Sun visor**

- ◆ Removing and installing  
=>Page 246 .

## 6.4 - Detaching moulded headliner from roof

### Special tools, testers and auxiliary items required



- ◆ V.A.G 1416

### Vehicles with sliding/tilting roof:

- Lever off masking frame for sliding/tilting roof => Page 242 .
- Carefully detach moulded headliner from plenum chamber and unfasten from rear guide clips (3x).

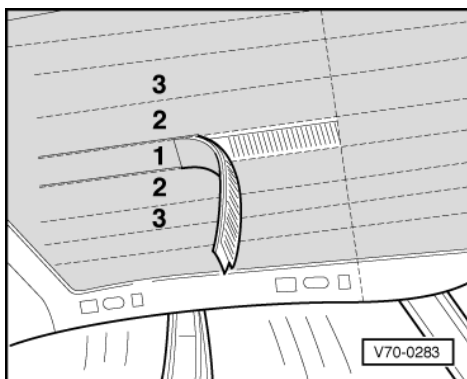
### Notes:

- ◆ The paper remaining on the plenum chamber when the moulded headliner has been detached can be removed by applying heat to it with a hot-air blower. Only small paper residues need not be removed.
- ◆ The temperature on the roof must not exceed 100 °C, otherwise the paintwork may be damaged.

### Vehicles without sliding/tilting roof:

#### Important

The bonded headliner must not be detached from the roof in one piece, because the roof may be deformed. For this reason the headliner must be cut into approx. 100 mm wide strips.



- -> Make a parting cut in the centre of the roof transverse to the roof.
- Cut headliner into approx. 100 mm wide strips.
- Starting from the parting cut, detach the individual strips from the roof from the centre towards the outer in the order 1, 2, 3 etc. Use your other hand to support the roof.

### Notes:

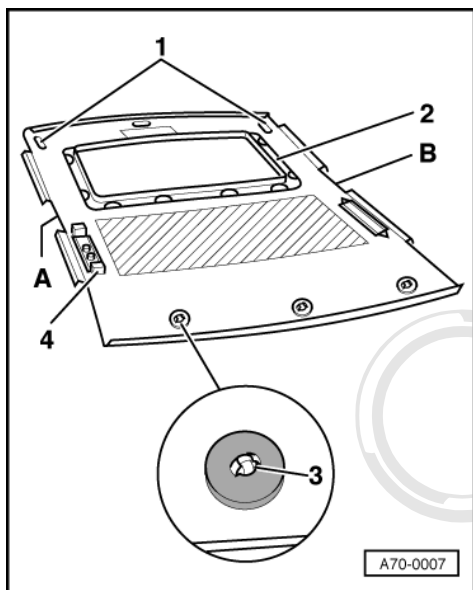
- ◆ If the paint system on the inside of the roof is damaged when cutting with the carpet knife, always be sure to prime the affected area.

- ♦ The paper remaining on the roof when the moulded headliner has been detached can be removed by applying heat to it with a hot-air blower. Only small paper residues need not be removed.
- ♦ The temperature on the roof must not exceed 100°C, otherwise the paintwork may be damaged.

## 6.5 - Installing moulded headliner

### Installing moulded headliner and fixing it in position

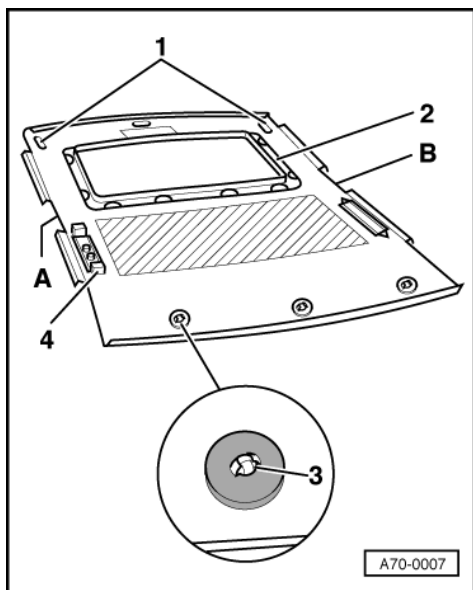
- Tilt front seat backrests rearwards.
- Move gear lever to rear most position.
- Remove rear head restraints.



- Ease moulded headliner diagonally through open passenger's door into passenger compartment.
- Pull backing for adhesive off moulded headliner.
- -> Fix moulded headliner in position in longitudinal direction with the aid of the sun visor mounts -1- (screw on sun visors loosely).
- On vehicles with sun roof fix moulded headliner in position in opening -2-

... or in whole, is not permitted unless authorised by AUDI AG. AUDI AG does not guarantee or accept any liability with respect to the correctness of information in this document. Copyright by AUDI AG.

### Notes:



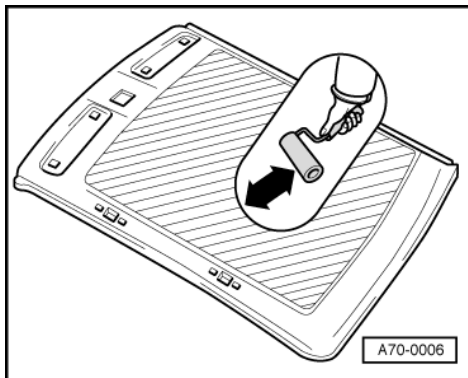
- ◆ -> Pull moulded headliner down slightly in centre -A- and -B- in area of bonding surfaces to stop it sticking to roof in incorrect position.
- ◆ Moulded headliner must be supported at rear by second mechanic to stop it kinking.
- Insert wires for interior light through openings.
- Press in guide clips -3- before moulded headliner makes contact with roof in area of bonding surface (hatched area).

4 - Spacer

**Note:**

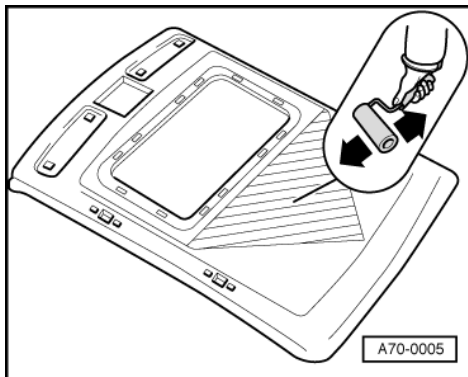
*When applying with the roller, exert only sufficient force on the headliner to stick it to the roof, without leaving press marks on it.*

**Fitting moulded headliner with roller on vehicles without sun roof**

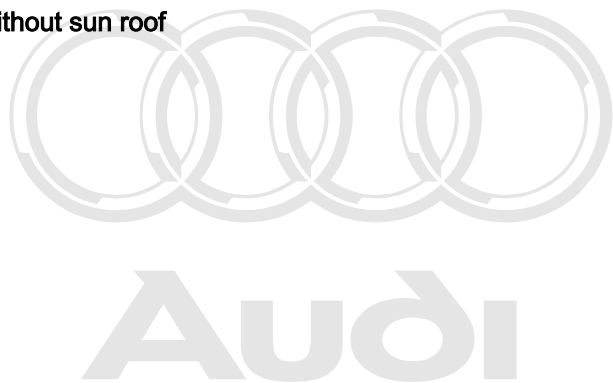


- -> Starting in centre use wallpaper roller to affix moulded headliner to roof in direction of arrow. It sticks in seconds.

**Fitting moulded headliner with roller on vehicles with sun roof**

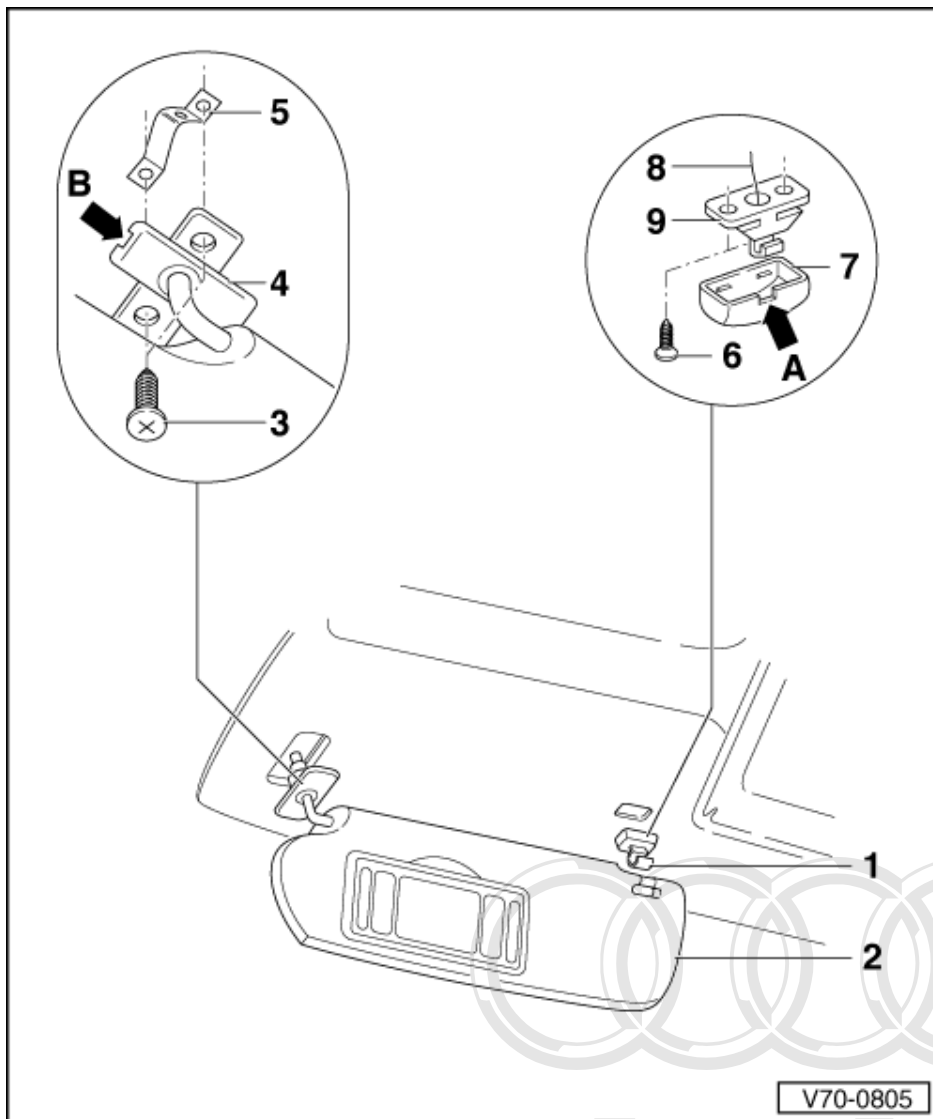


- -> Starting in centre of hatched area use wallpaper roller to affix moulded headliner to roof in direction of arrow. It sticks in seconds.



Protected by copyright. Copying for private or commercial purposes, in part or in whole, is not permitted unless authorised by AUDI AG. AUDI AG does not guarantee or accept any liability

## 6.6 - Removing and installing sun visor



1 Sun visor bracket

2 Sun visor

◆ Removing:

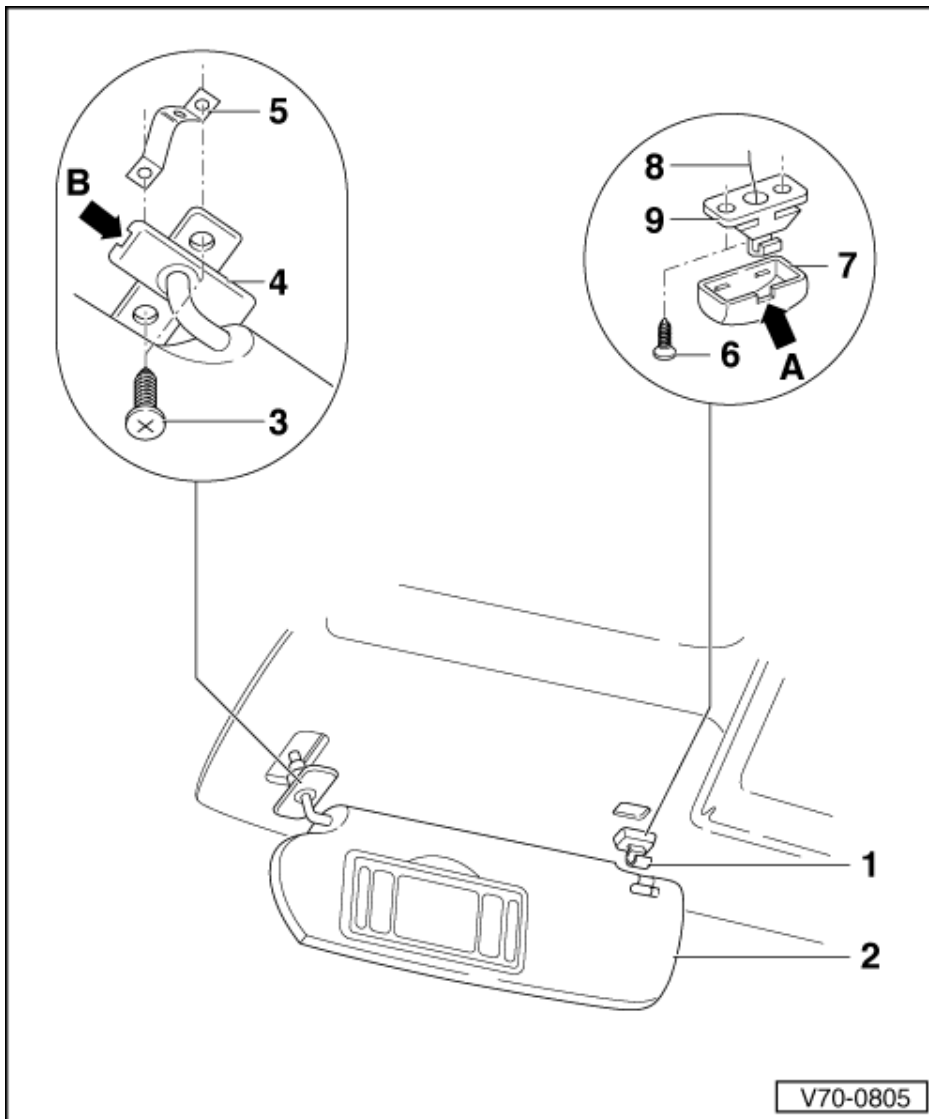
- Insert approx. 5 mm wide screwdriver into recess -B- and lever off cap -Item 4 -.
- Turn cap through 90°.
- Remove bolts -Item 3 -.
- Detach sun visor and spring -Item 5 -.

3 Cross-head screw - 4.5 Nm

◆ 2 off

4 Trim cap

Protected by copyright. Copying for private or commercial purposes, in part or in whole, is not permitted unless authorised by AUDI AG. AUDI AG does not guarantee or accept any liability with respect to the correctness of information in this document. Copyright by AUDI AG.



5 Spring

6 Cross-head screw - 4.5 Nm

- ◆ 2 off

7 Trim cap

- ◆ Insert approx. 5 mm wide screwdriver into recess -A- and lever off

8 Electrical connection

- ◆ To detach electrical connection remove cover for sun roof motor  
=>Page 248

9 Sun visor bracket

- ◆ Removing:

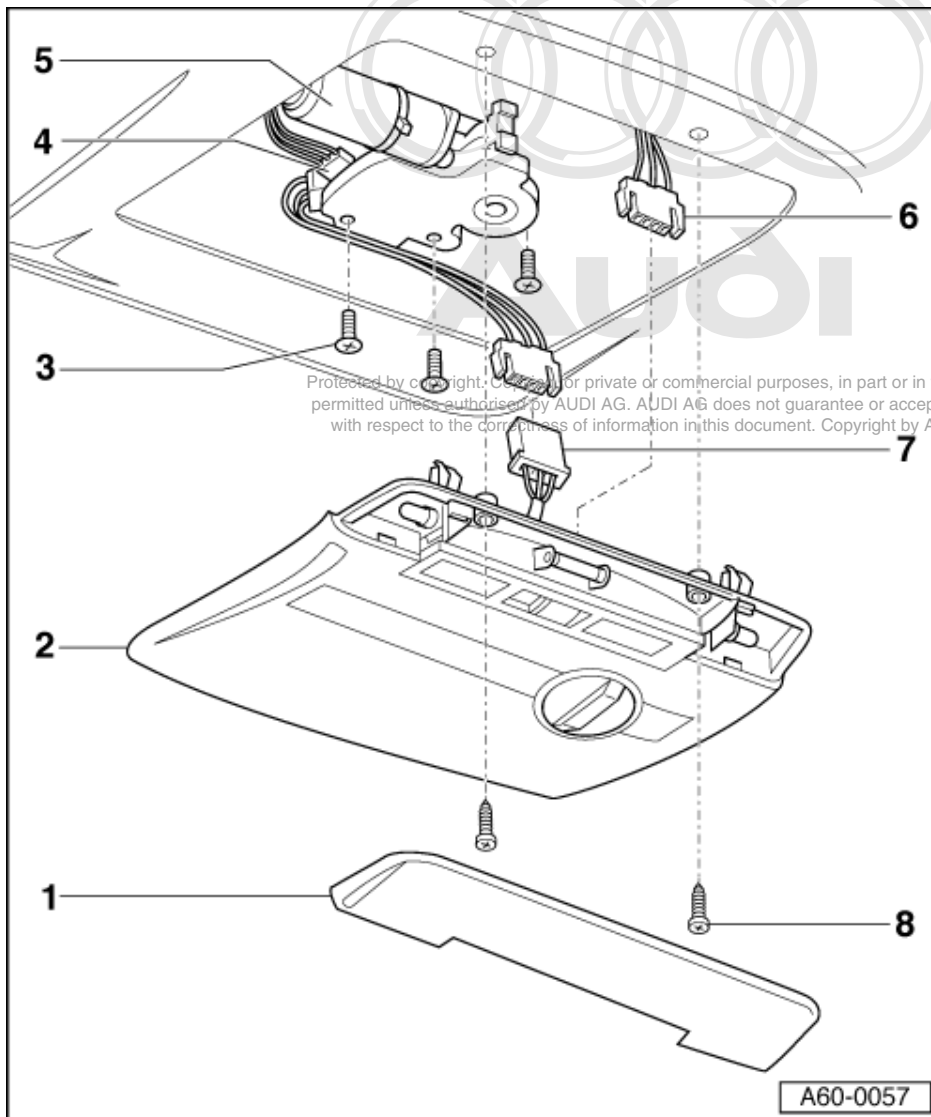
- Remove trim cap -Item 7 -.

- Remove bolts -Item 6 -.

- To detach electrical connection remove cover for sun roof motor => Page 248 .

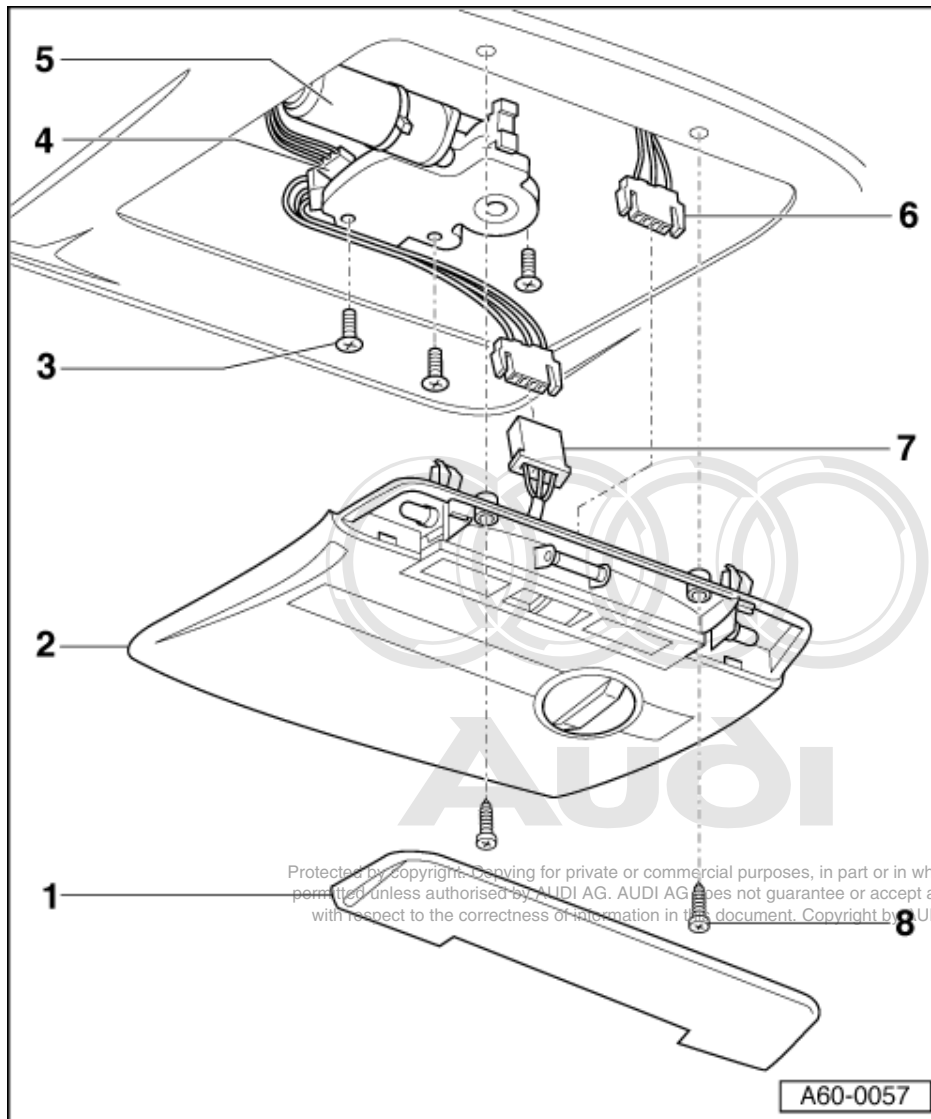
Protected by copyright. Copying for private or commercial purposes, in part or in whole, is not permitted unless authorised by AUDI AG. AUDI AG does not guarantee or accept any liability with respect to the correctness of information in this document. Copyright by AUDI AG.

## 6.7 - Removing cover for sun roof motor



- 1 Cover
  - ◆ For interior light
  - ◆ Unclip downwards
- 2 Cover
  - ◆ For sun roof motor
  - ◆ Slacken off bolts -Item 8 - and pull forwards out of clips
- 3 TORX bolt
  - ◆ 3 off
- 4 Connector
  - ◆ For sun roof motor
- 5 Sun roof motor





Protected by copyright. Copying for private or commercial purposes, in part or in whole, is not permitted unless authorised by AUDI AG. AUDI AG does not guarantee or accept any liability with respect to the correctness of information in this document. Copyright by AUDI AG.

- 6 Connector
  - ◆ For interior light
- 7 Connector
  - ◆ For sun roof motor
- 8 Bolt - 4.5 Nm
  - ◆ 2 off

## 7 - Roof trim introduced as of 10.98 (with interior mirror at headliner)

### 7.1 - Roof trim introduced as of 10.98 (with interior mirror at headliner)

### 7.2 - Replacing moulded headliner without sun roof

#### Notes:

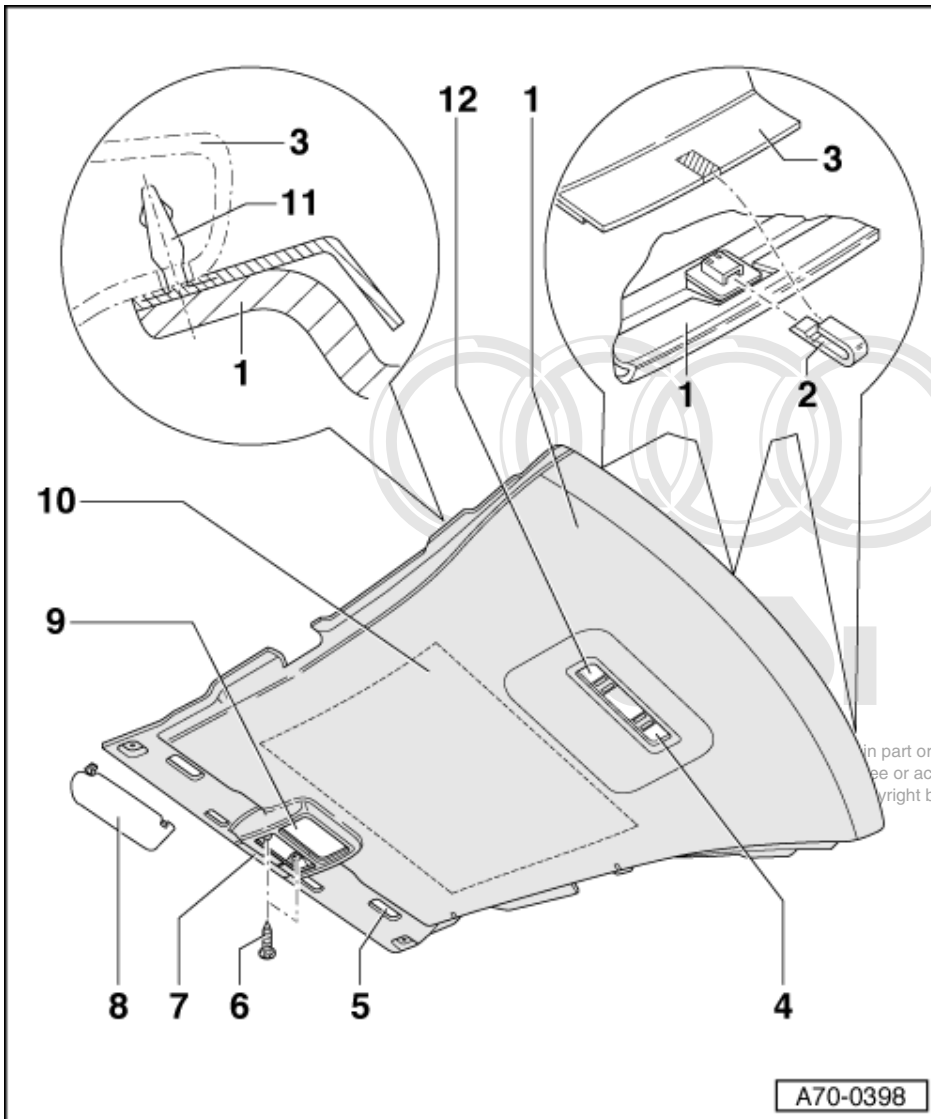
- ◆ The moulded headliner, which is directly bonded to the roof, cannot be removed non-destructively.

- ◆ To prevent the roof from being deformed, the headliner must first be cut into approx. 100 mm wide strips and then detached strip by strip from the roof. Since the strength of the roof is least at the centre, stripping is begun from the centre.
- ◆ When panel-beating on the roof, the moulded headliner should initially only be removed in the damaged area. Only when the panel-beating is completed should the moulded headliner be removed, as described below.

**Special tools, testers and auxiliary items required**

- ◆ Wallpaper roller
- ◆ Carpet knife with serrated blade
- ◆ Hot-air blower

**7.3 - Removing moulded headliner without sun roof**



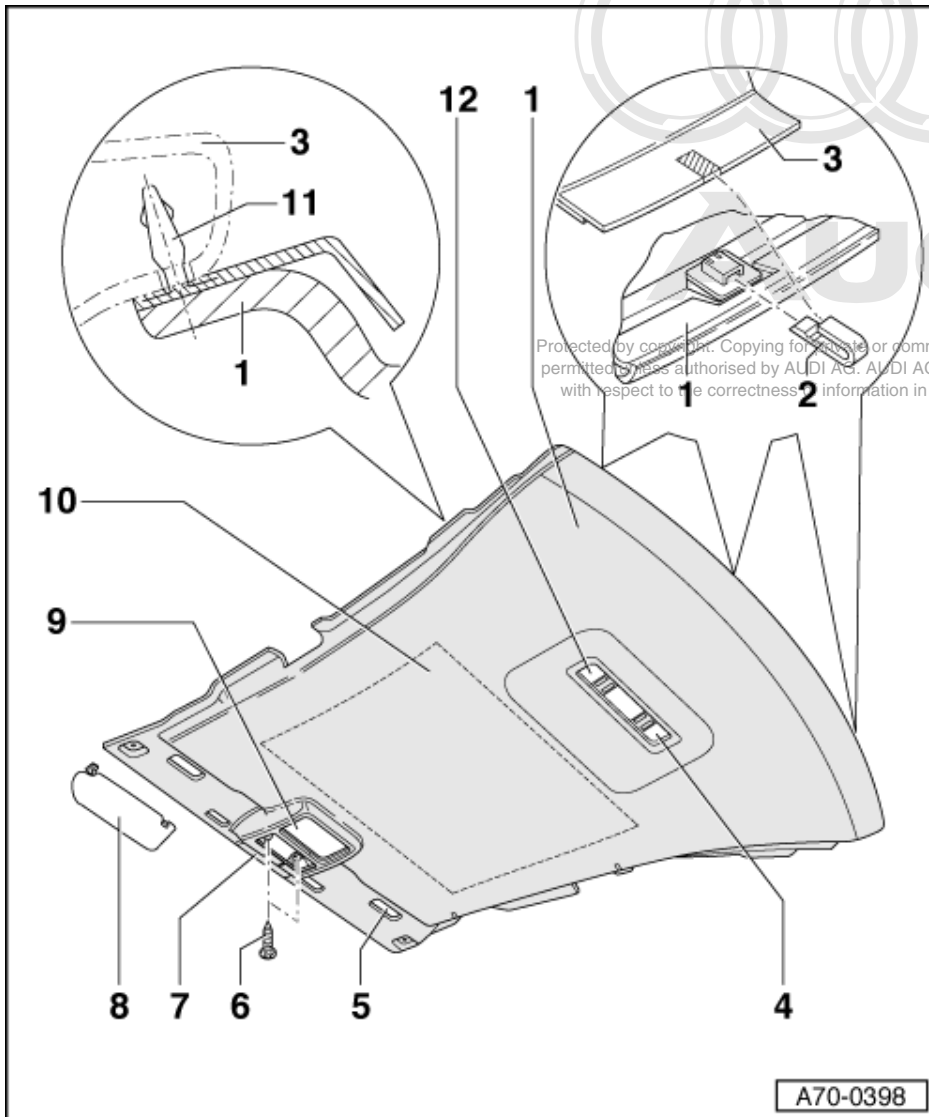
in part or in whole, is not  
 free or accept any liability  
 copyright by AUDI AG.

- Refer to coding on vehicles with encoded radio/radio navigation system (RNS); if necessary, interrogate.
- Disconnect battery earthing strap/cable.

**1 Moulded headliner**

- ◆ Removing:
  - Remove A-pillar trims => Page 214 .
  - Remove D-pillar trims => Page 231 .
  - Removing sun visor=>Page 263 .
  - Remove interior rear-view mirror => Page 62 .

- Remove cover for sun roof motor => Page 265 .
- Screw out bolts -Item 6-



- Prise out rear interior light -Item 4-
- On vehicles with head airbag: Remove both head airbags => Page 159 .
- Detach moulded headliner from fasteners -Item 11-
- ◆ Detach moulded headliner from roof => Page 254
- ◆ Installing and fixing moulded headliner in position => Page 255

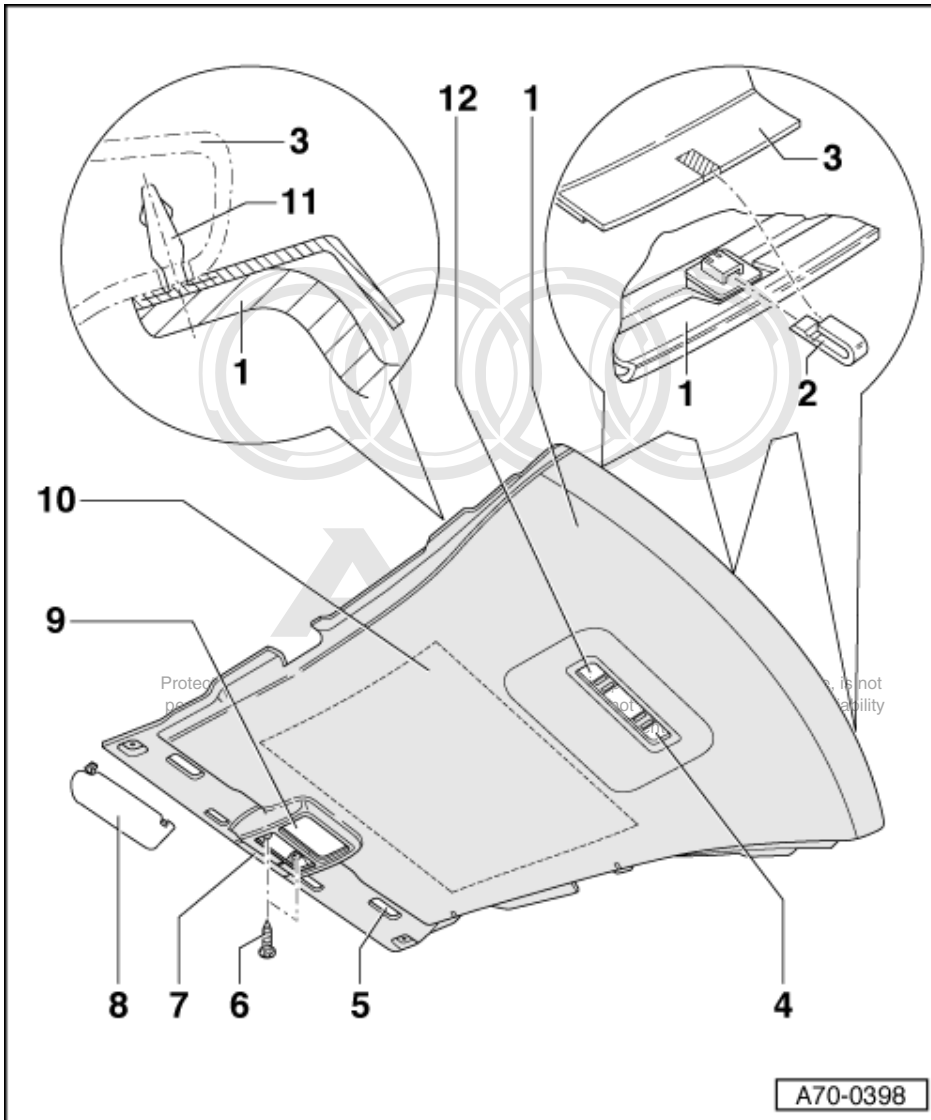
#### 2 Retaining clip

- ◆ 3 off
- ◆ Installing and fixing moulded headliner in position => Page 244

#### 3 Body

#### 4 Rear interior light

- ◆ Removing:
  - Insert screwdriver under side of interior light and lever out.
  - Unfasten wires and detach light.



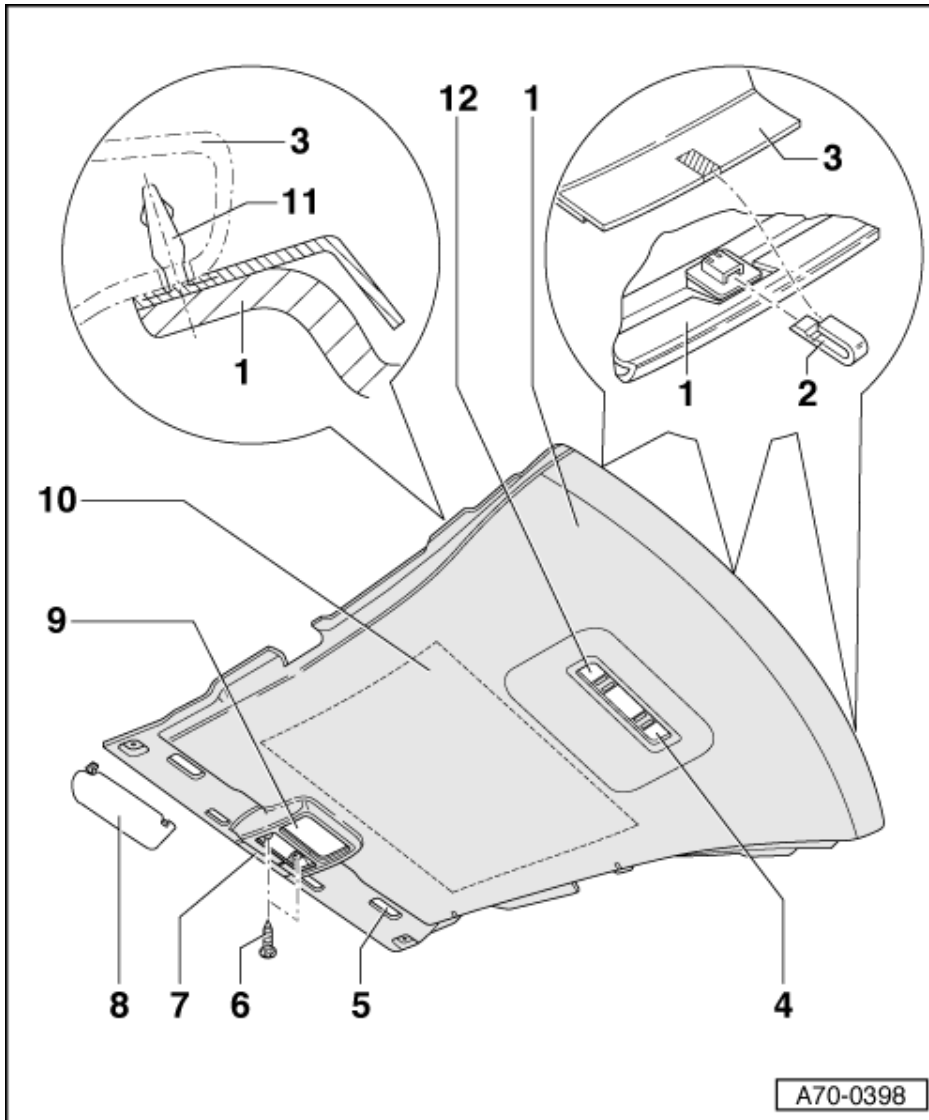
**5 Make-up mirror light**

- ◆ 2 off
- ◆ Removing:
  - Insert screwdriver under side of light and lever out.
  - Unfasten wires and detach light.

**6 Bolt - 3 Nm**

- ◆ 2 off

**7 Centre sun visor**



**8 Sun visor**

- ◆ Removing and installing  
=>Page 263 .

**9 Cover for sun roof motor**

- ◆ Removing and installing  
=>Page 265 .

**10 Bonding surface**

**11 Clamp**

- ◆ 2 off

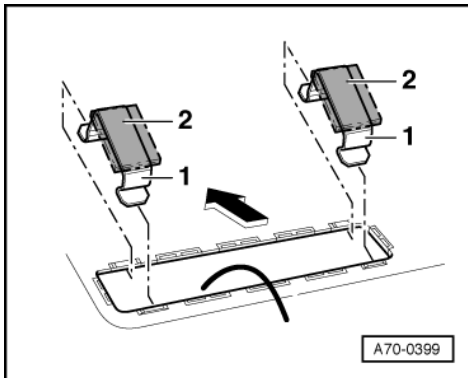
**12 Guard clip**

- ◆ 2 off
- ◆ Attached to roof with Velcro strip
- ◆ Removing => Fig.: 1



Protected by copyright. Copying for private or commercial purposes, in part or in whole, is not permitted unless authorised by AUDI AG. AUDI AG does not guarantee or accept any liability with respect to the correctness of information in this document. Copyright by AUDI AG.

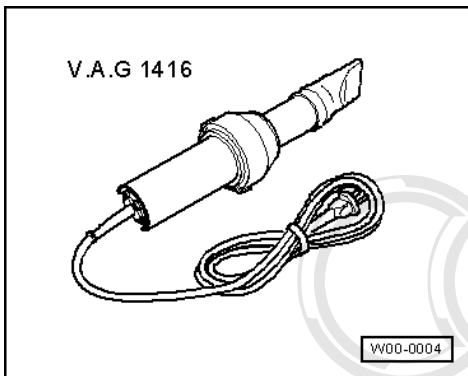
Fig.:1 Detaching guard strip from roof



- Pull moulded headliner with guard clips -Item 1- off roof at Velcro strip -Item 2-.
- Arrow points in direction of travel.

## 7.4 - Detaching moulded headliner from roof without sun roof

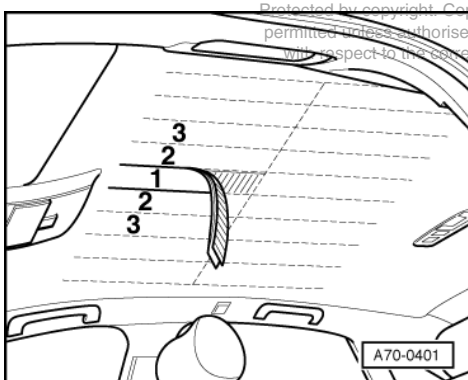
### Special tools, testers and auxiliary items required



- ♦ V.A.G 1416

### Important

The bonded headliner must not be detached from the roof in one piece, because the roof may be deformed. For this reason the headliner must be cut into approx. 100 mm wide strips.



- -> Make a parting cut in the centre of the roof transverse to the roof.
- Moulded headliner is therefore to be cut into approx. 100 mm wide strips.
- Starting from the parting cut, detach the individual strips from the roof from the centre towards the outer in the order 1, 2, 3 etc. Use your other hand to support the roof.
- Detach guard clips from roof => Fig.: 254 .

- Pull remaining moulded headliner forwards out of clips -Item 2-, Page 250

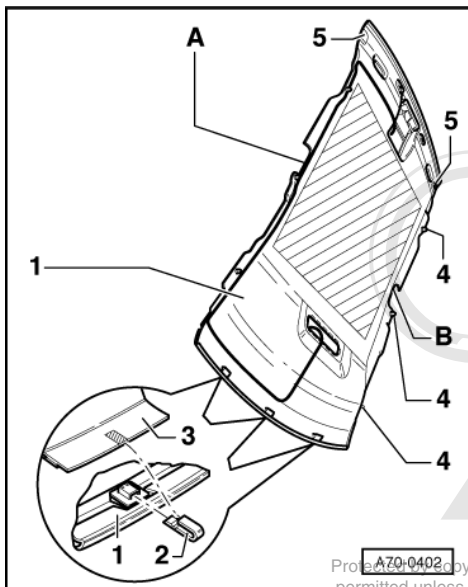
**Notes:**

- ◆ If the paint system on the inside of the roof is damaged when cutting with the carpet knife, always be sure to prime the affected area.
- ◆ The paper remaining on the roof when the moulded headliner has been detached can be removed by applying heat to it with a hot-air blower. Only small paper residues need not be removed.
- ◆ The temperature on the roof must not exceed 100 °C, otherwise the paintwork may be damaged.

## 7.5 - Installing moulded headliner without sun roof

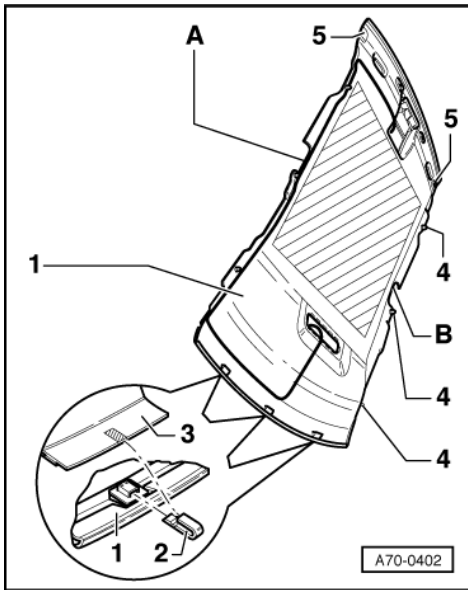
### Installing moulded headliner and fixing it in position

- Tilt front seat backrests rearwards.
- Move gear lever to rearwards most position.
- Remove rear head restraints.



- Ease moulded headliner diagonally through open passenger's door into passenger compartment.
- Pull backing for adhesive off moulded headliner.
- -> Fix moulded headliner in position in longitudinal direction with the aid of the sun visor mounts -5- (screw on sun visors loosely).

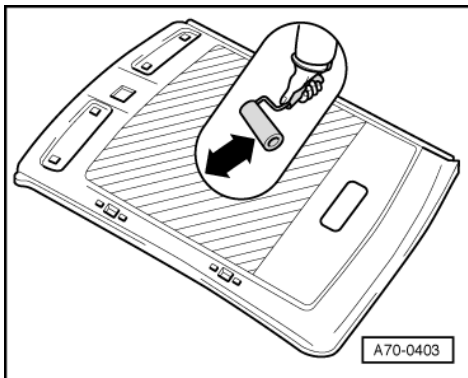
**Notes:**



- ◆ -> Pull moulded headliner down slightly in centre -A- and -B- in area of bonding surfaces to stop it sticking to roof in incorrect position.
- ◆ Moulded headliner must be supported at rear by second mechanic to stop it kinking.
- Insert wires for interior light through openings.
  - Guide clips -2- remain on body -3- on removing moulded headliner -1-.
- Press moulded headliner -1- into guide clips -2- before moulded headliner makes contact with roof in area of bonding surface (hatched area).

**Note:**

*When applying with the roller, exert only sufficient force on the headliner to stick it to the roof, without leaving press marks on it.*



- -> Starting in centre use wallpaper roller to affix moulded headliner to roof in direction of arrow. It sticks in seconds.

**Notes:**

- ◆ After connecting the battery, please ensure that the vehicle accessories (radio, clock, electric window lifters) are checked according to workshop manual and/or operating instructions.

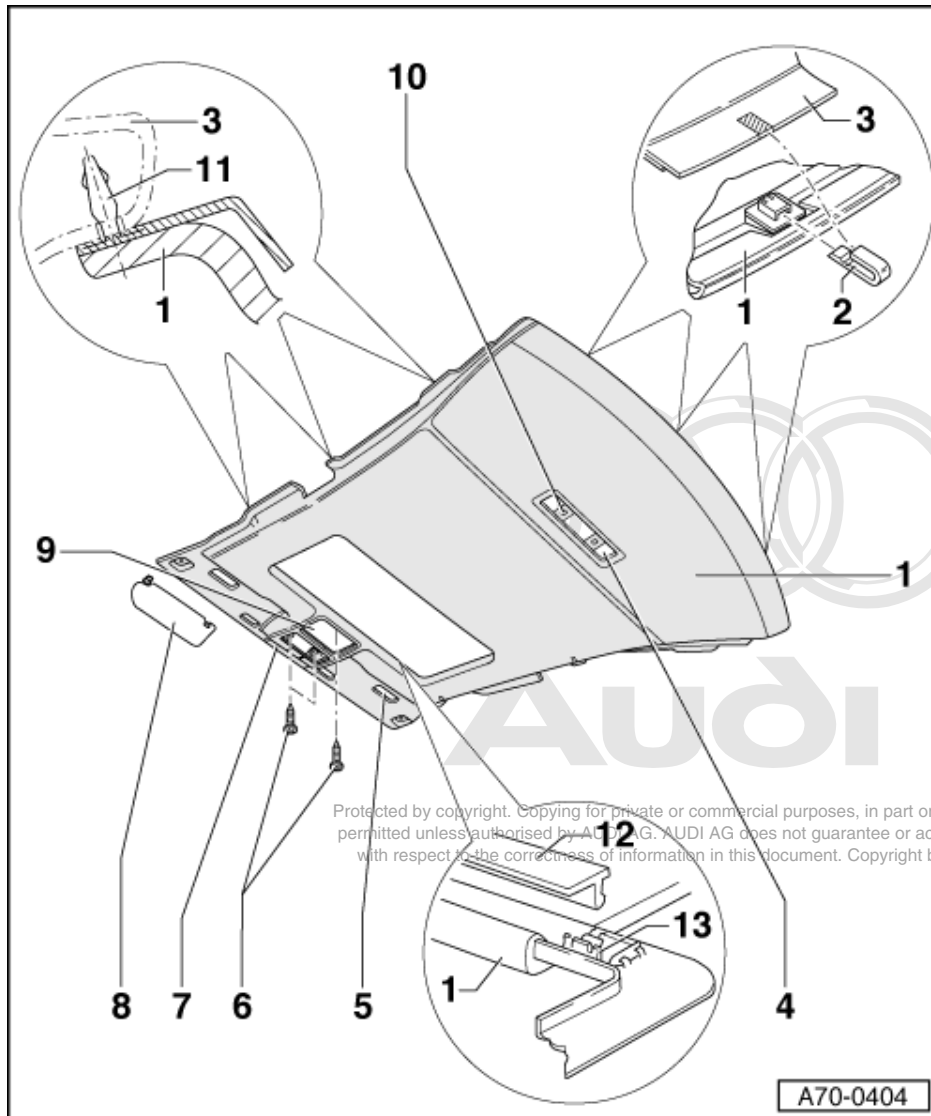
=> Electrical System; Repair group 27; Battery Battery

- ◆ If the fault warning light (K 75) for airbag signals a fault after assembly the fault memory must be erased and again be interrogated by using fault reader V.A.G 1551.



=> Body Self-diagnosis; Repair group 01

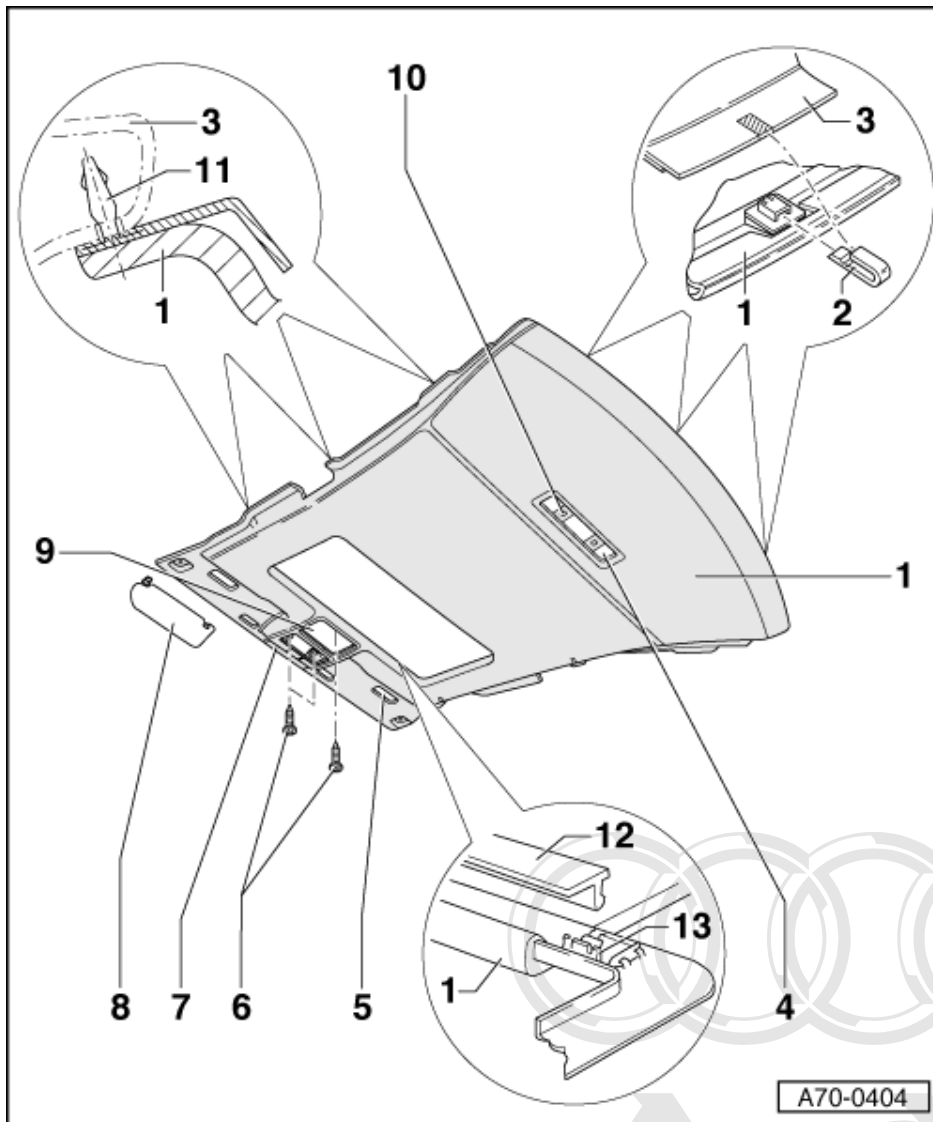
## 7.6 - Removing moulded headliner with sun roof



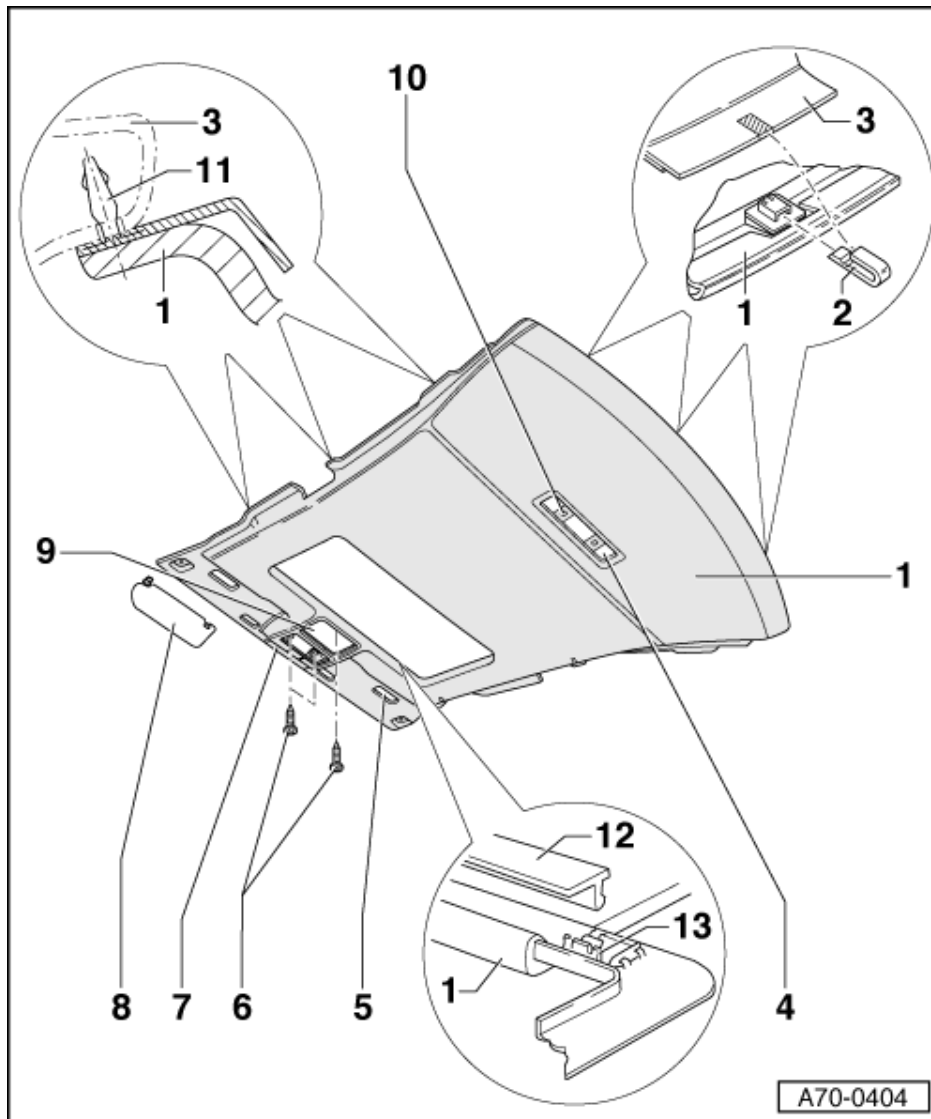
- Refer to coding on vehicles with encoded radio/radio navigation system (RNS); if necessary, interrogate.
- Disconnect battery earthing strap/cable.

### 1 Moulded headliner

- ◆ Removing:
  - Remove A-pillar trims => Page 214 .
  - Remove D-pillar trims => Page 231 .
  - Removing sun visor=>Page 263 .
  - Remove interior rear-view mirror => Page 62 .



- Remove cover for sun roof motor  
=> Page 265 .
- On vehicles with head airbag: Remove both head airbags=> Page 159 .
- Screw out bolts -Item 6-.
- Carefully lever out trim surround -Item 12- out of fasteners -Item 13-.
- Prise out rear interior light -Item 4-.
- Tilt backrest of passenger's seat as far back as possible.
- Tilt backrest of driver's seat as far back as possible.
- A second person is required to support the moulded headliner.
- Detach moulded headliner from fasteners -Item 11-.
- Detach guard clip -Item 10- from roof => Fig.: 2 .



- Pull moulded headliner forward and detach from clips -Item 2- at rear.
- ◆ Clips -Item 2- remain in vehicle
- Remove moulded headliner through one of the rear doors.

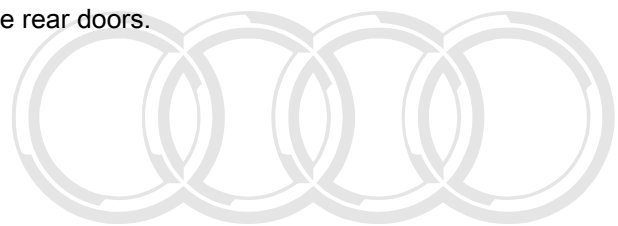
**2 Retaining clip**

- ◆ 3 off

**3 Body**

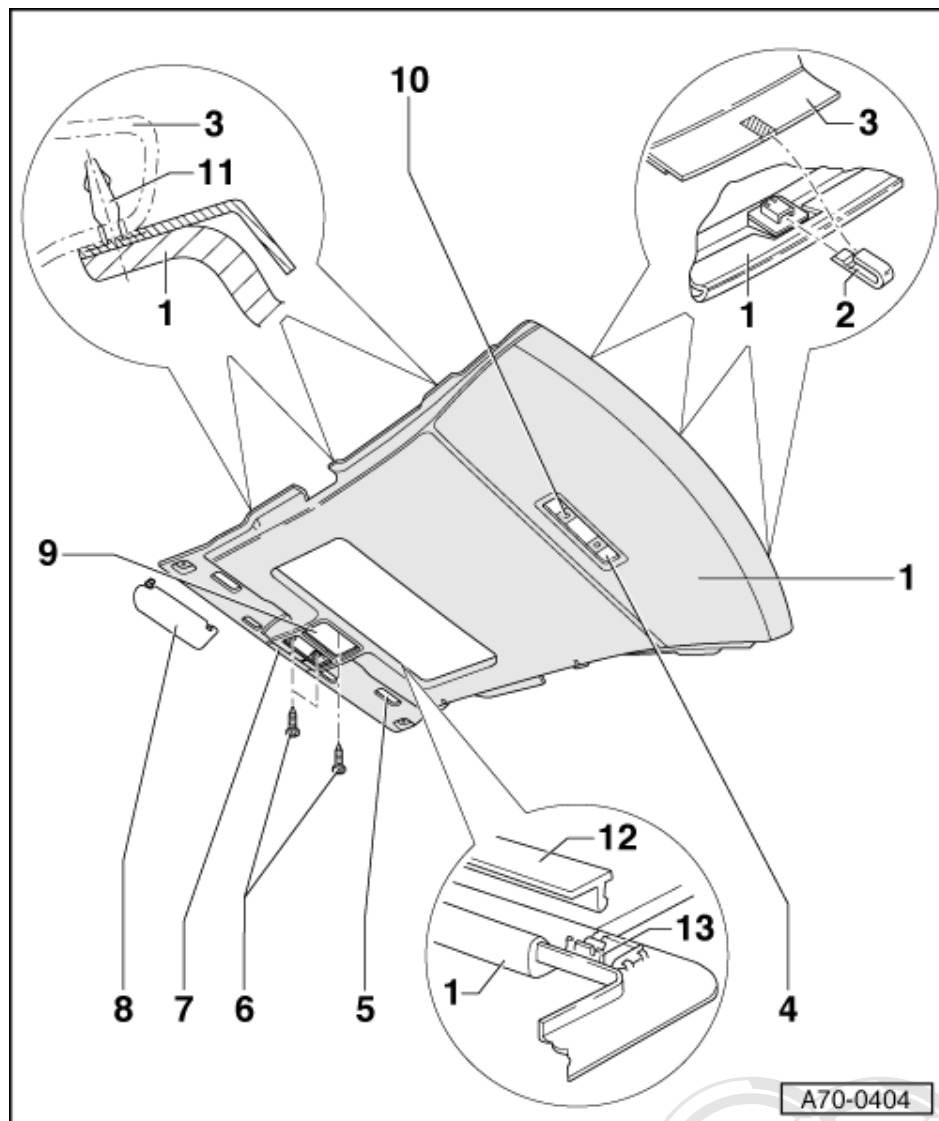
**4 Rear interior light**

- ◆ Removing:
  - Insert screwdriver under side of interior light and lever out.
  - Unfasten wires and detach light.



Audi

Protected by copyright. Copying for private or commercial purposes, in part or in whole, is not permitted unless authorised by AUDI AG. AUDI AG does not guarantee or accept any liability with respect to the correctness of information in this document. Copyright by AUDI AG.



**5 Make-up mirror light**

- ◆ 2 off
- ◆ Removing:
  - Insert screwdriver under side of light and lever out.
  - Unfasten wires and detach light.

**6 Bolt - 3 Nm**

- ◆ 3 off

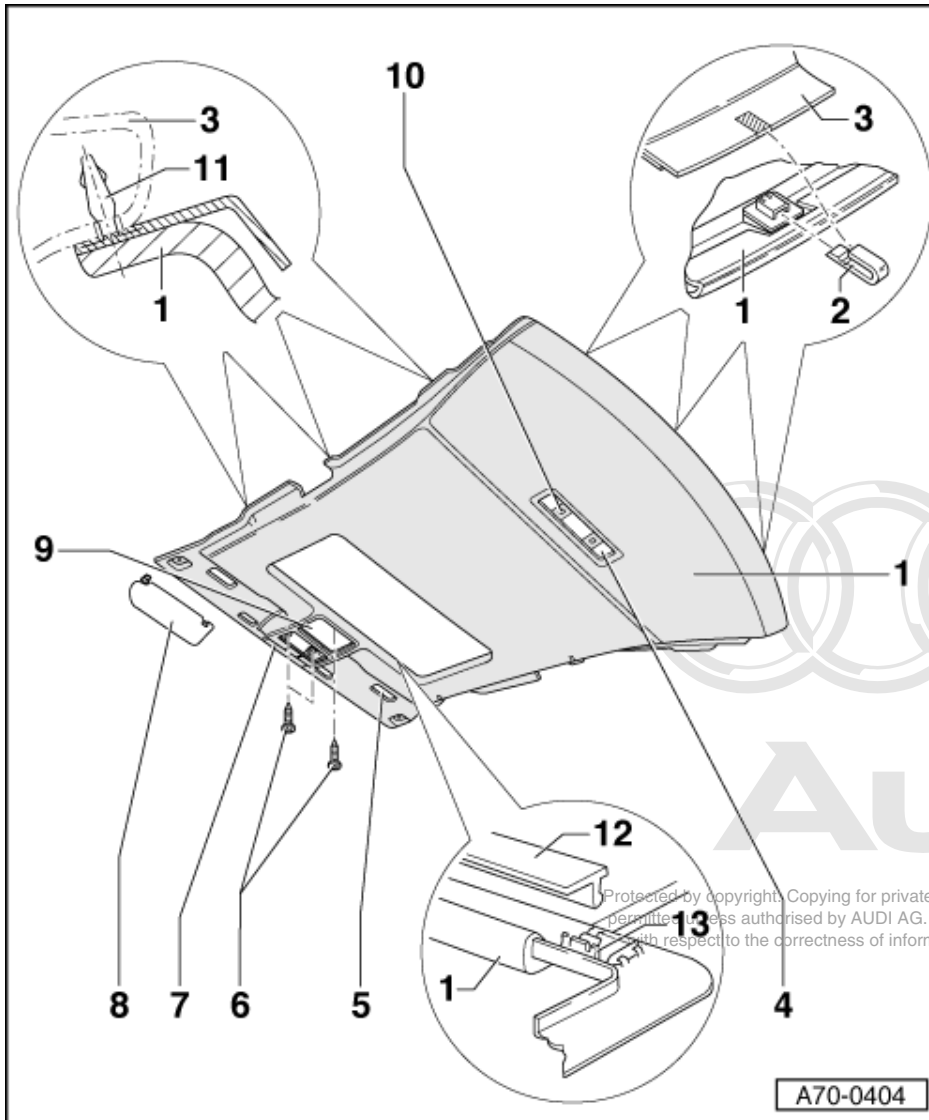
**7 Centre sun visor**

**8 Sun visor**

- ◆ Removing and installing  
=>Page 263



Protected by copyright. Copying for private or commercial purposes, in part or in whole, is not permitted unless authorised by AUDI AG. AUDI AG does not guarantee or accept any liability with respect to the correctness of information in this document. Copyright by AUDI AG.



**9 Cover for sun roof motor**

- ◆ Removing and installing  
 =>Page 265

**10 Guard clip**

- ◆ 2 off
- ◆ Removing => Fig.: 2

**11 Clamp**

- ◆ 2 off

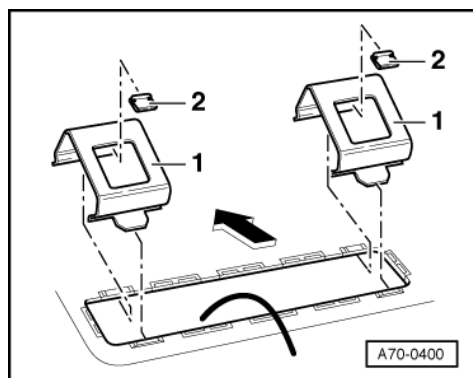
**12 Masking frame**

- ◆ Prise out of fasteners -Item 13-

**13 Clamp**

- ◆ 14 off
- ◆ Part of moulded headliner assembly

Fig.:2 Detaching guard strip from roof



- Detach clips -Item 2- (2x).
- 1 - Guard clip
- Arrow points in direction of travel.

**Notes:**

- ◆ After connecting the battery, please ensure that the vehicle accessories (radio, clock, electric window lifters) are checked according to workshop manual and/or operating instructions.

=> Electrical System; Repair group 27; Battery Battery

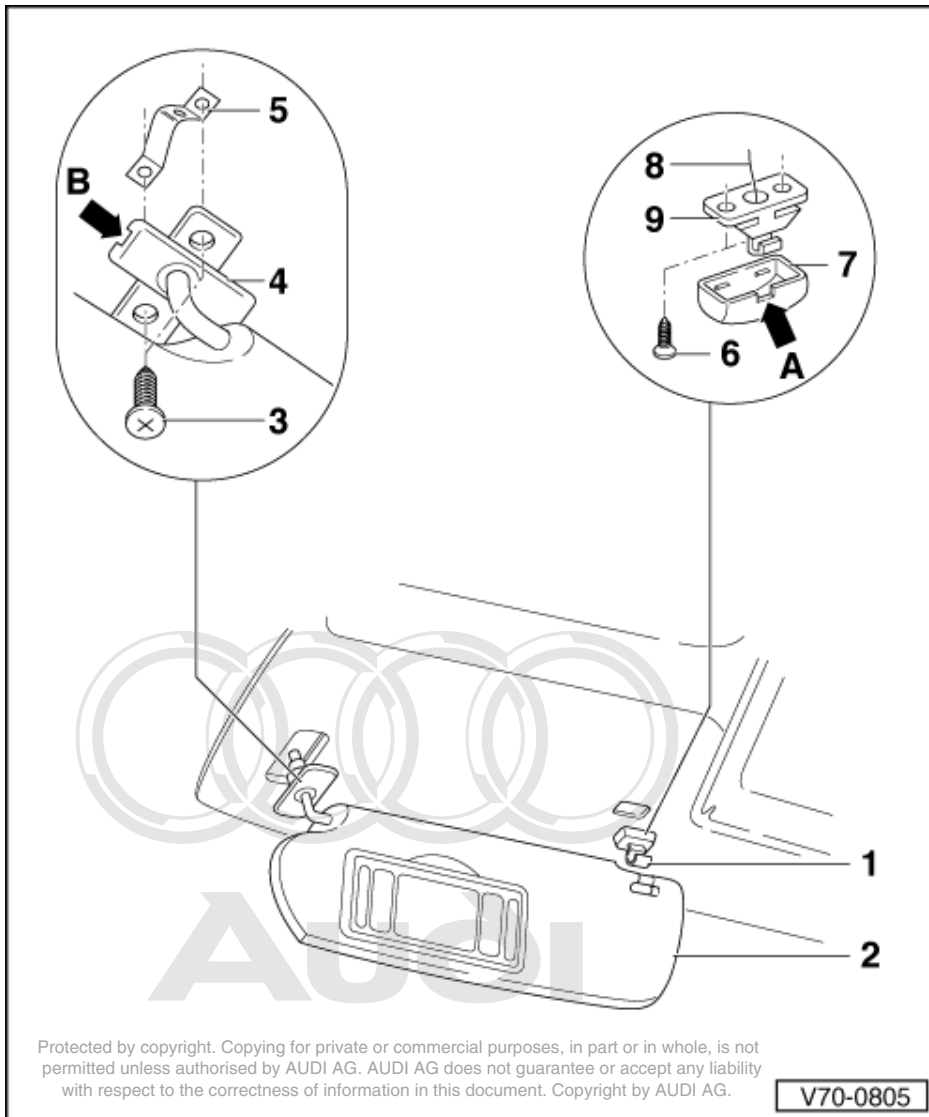
- ◆ If the fault warning light (K 75) for airbag signals a fault after assembly the fault memory must be erased and again be interrogated by using fault reader V.A.G 1551.

=> Body Self-diagnosis; Repair group 01



Protected by copyright. Copying for private or commercial purposes, in part or in whole, is not permitted unless authorised by AUDI AG. AUDI AG does not guarantee or accept any liability with respect to the correctness of information in this document. Copyright by AUDI AG.

## 7.7 - Removing and installing sun visor



### 1 Sun visor bracket

### 2 Sun visor

- ◆ Removing:
  - Insert approx. 5 mm wide screwdriver into recess -B- and lever off cap -Item 4 -.
  - Turn cap through 90°.
  - Remove bolts -Item 3 -.
  - Detach sun visor and spring -Item 5 -.

### 3 Cross-head screw - 4.5 Nm

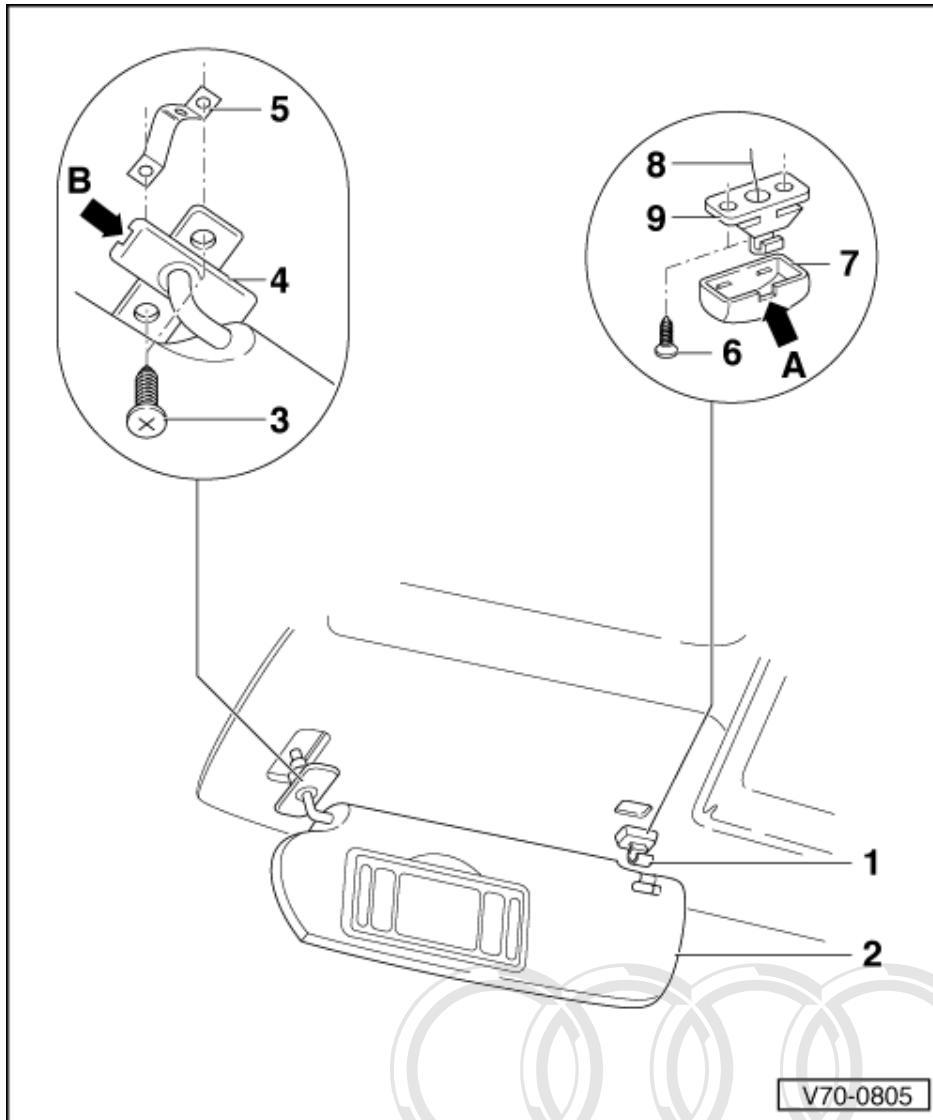
- ◆ 2 off

### 4 Trim cap

### 5 Spring

### 6 Cross-head screw - 4.5 Nm

- ◆ 2 off



V70-0805

### 7 Trim cap

- ◆ Insert approx. 5 mm wide screwdriver into recess -A- and lever off.

### 8 Electrical connection

- ◆ To detach electrical connection remove cover for sun roof motor  
=>Page 248
- ◆ From 10.98 onwards electrical connection is on outer sun visor mount.

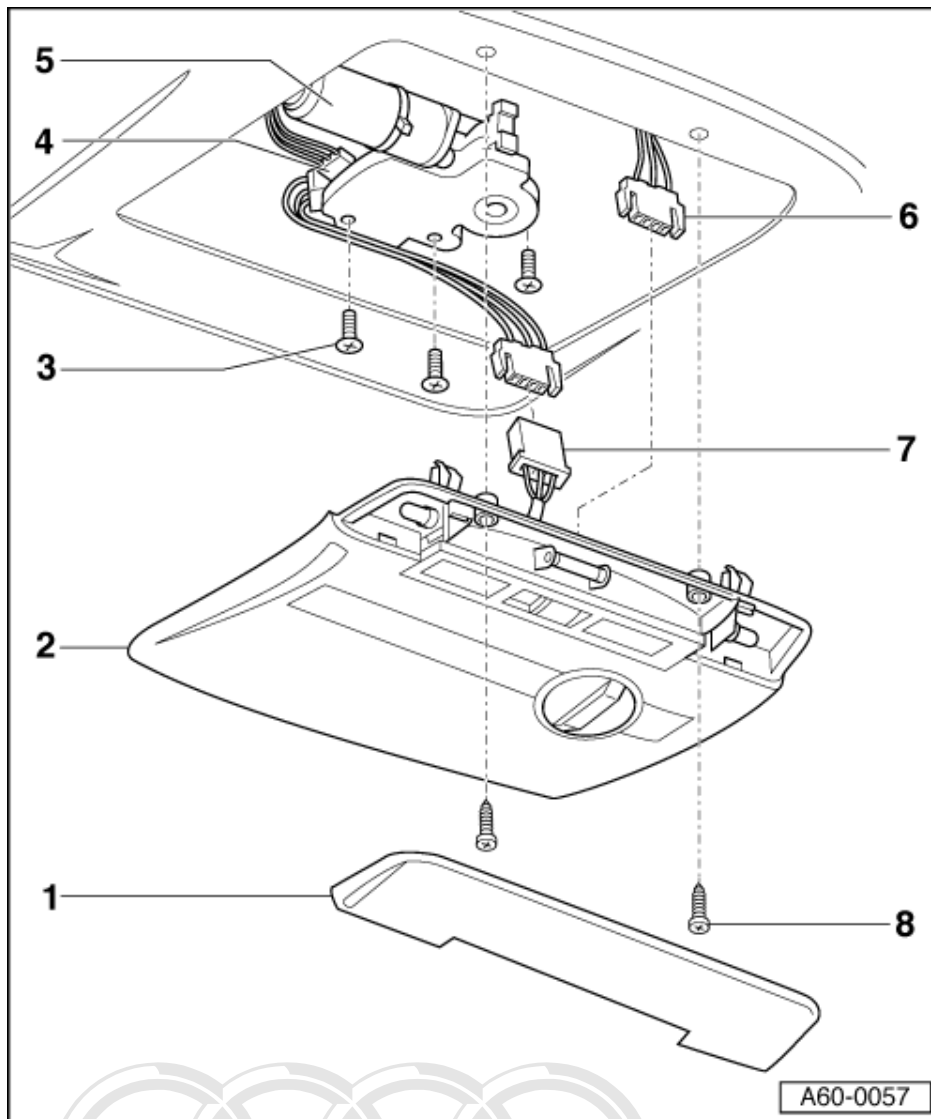
### 9 Sun visor bracket

- ◆ Removing:
  - Remove trim cap -Item 7-
  - Unscrew bolts -Item 6 -.
  - To detach electrical connection remove cover for sun roof motor  
=> Page 248 .

Protected by copyright. Copying for private or commercial purposes, in part or in whole, is not permitted unless authorised by AUDI AG. AUDI AG does not guarantee or accept any liability with respect to the correctness of information in this document. Copyright by AUDI AG.

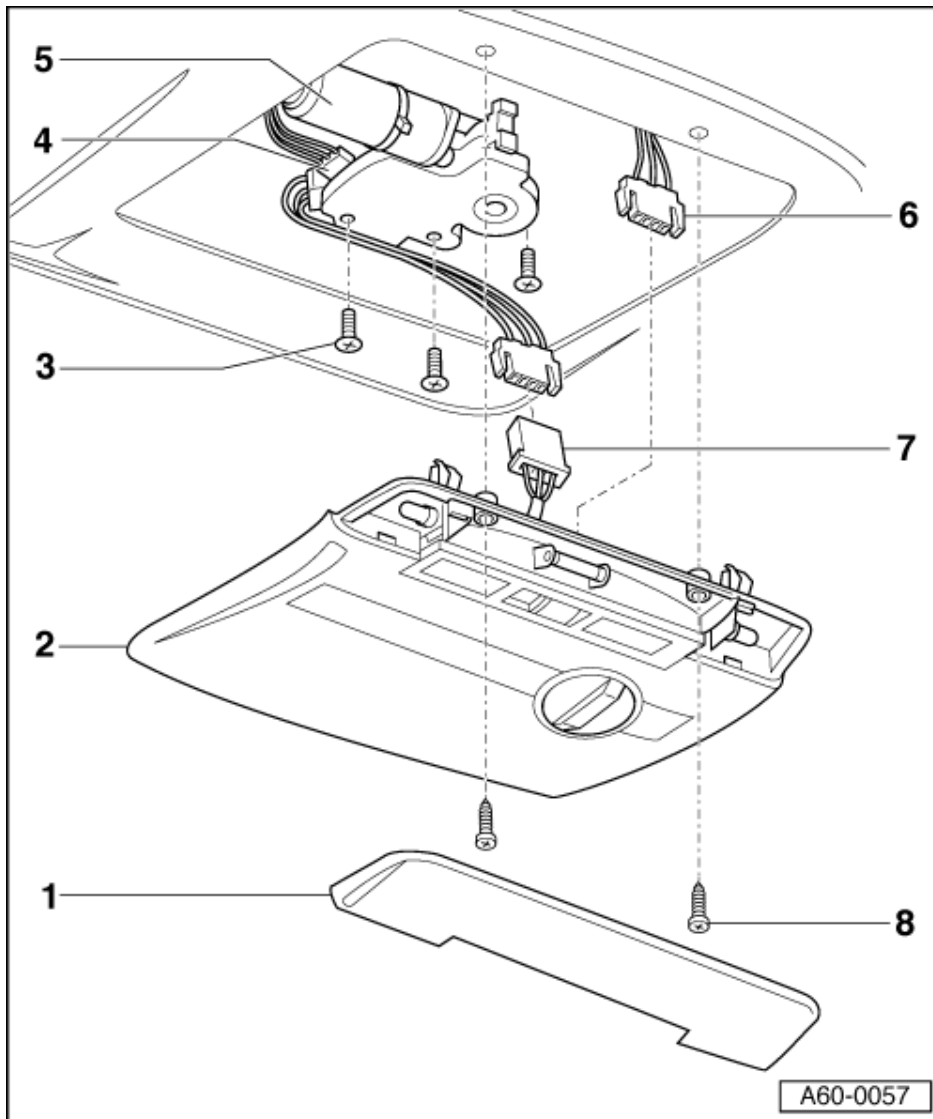


## 7.8 - Removing cover for sun roof motor



- 1 Cover
  - ◆ For interior light
  - ◆ Unclip downwards
- 2 Cover
  - ◆ For sun roof motor
  - ◆ Loosen bolts -Item 8 - and pull forwards out of clips
- 3 TORX bolt
  - ◆ 3 off
- 4 Connector
  - ◆ For sun roof motor
- 5 Sun roof motor

Copyright © 2002 Audi AG. Copying for private or commercial purposes, in part or in whole, is not permitted unless authorised by AUDI AG. AUDI AG does not guarantee or accept any liability with respect to the correctness of information in this document. Copyright by AUDI AG.



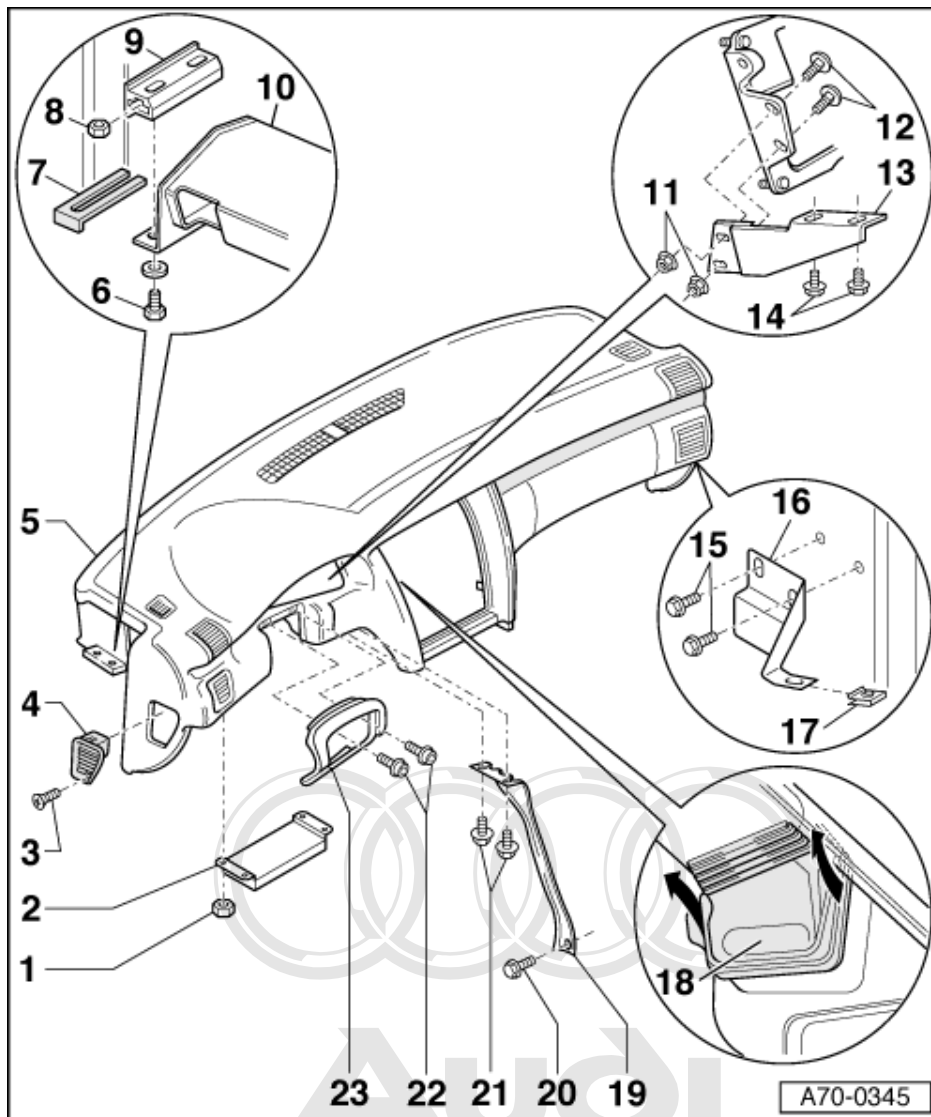
- 6 Connector**
  - ◆ For interior light
- 7 Connector**
  - ◆ For sun roof motor
- 8 Bolt - 4.5 Nm**
  - ◆ 2 off



Protected by copyright. Copying for private or commercial purposes, in part or in whole, is not permitted unless authorised by AUDI AG. AUDI AG does not guarantee or accept any liability with respect to the correctness of information in this document. Copyright by AUDI AG.

## 8 - Dash panel

### 8.1 - Dash panel

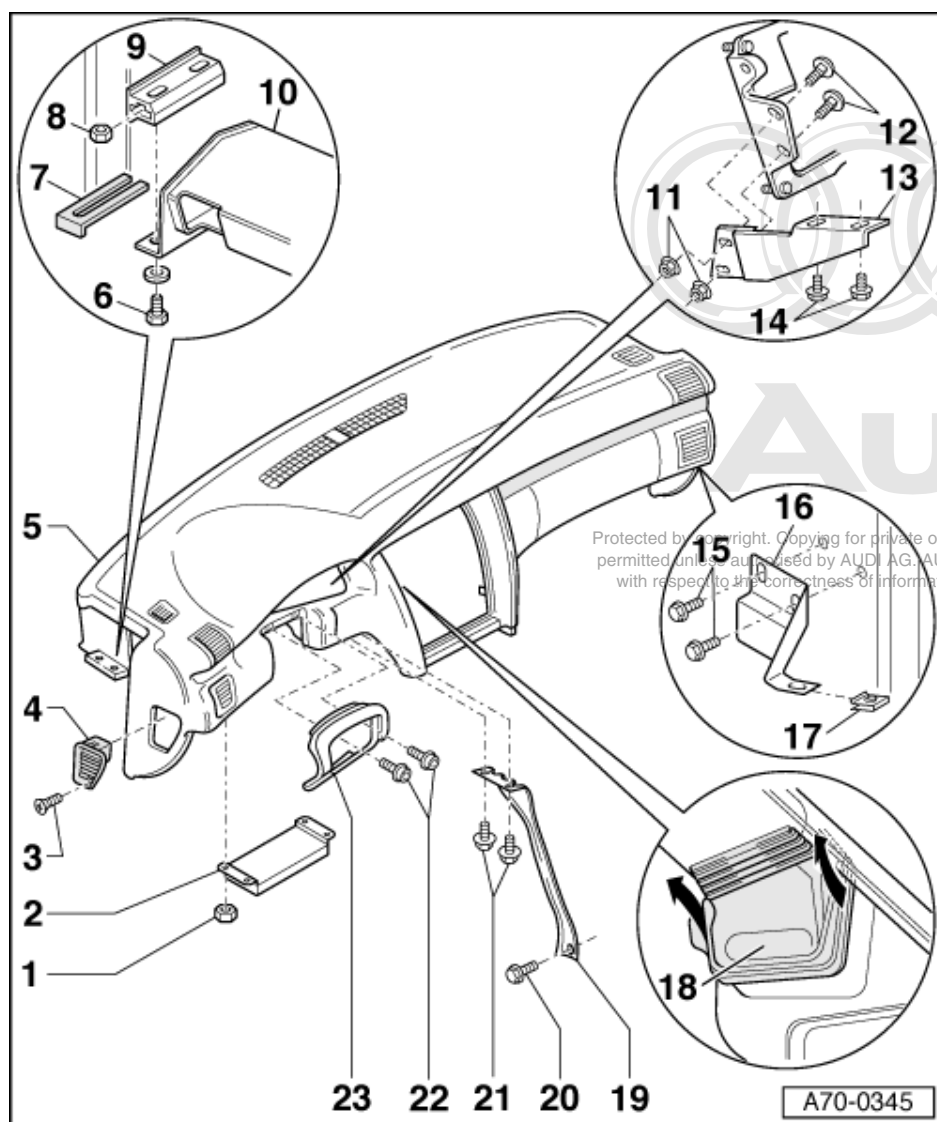


Protected by copyright. Copying for private or commercial purposes, in part or in whole, is not permitted unless authorised by AUDI AG. AUDI AG does not guarantee or accept any liability in this document. Copyright by AUDI AG.

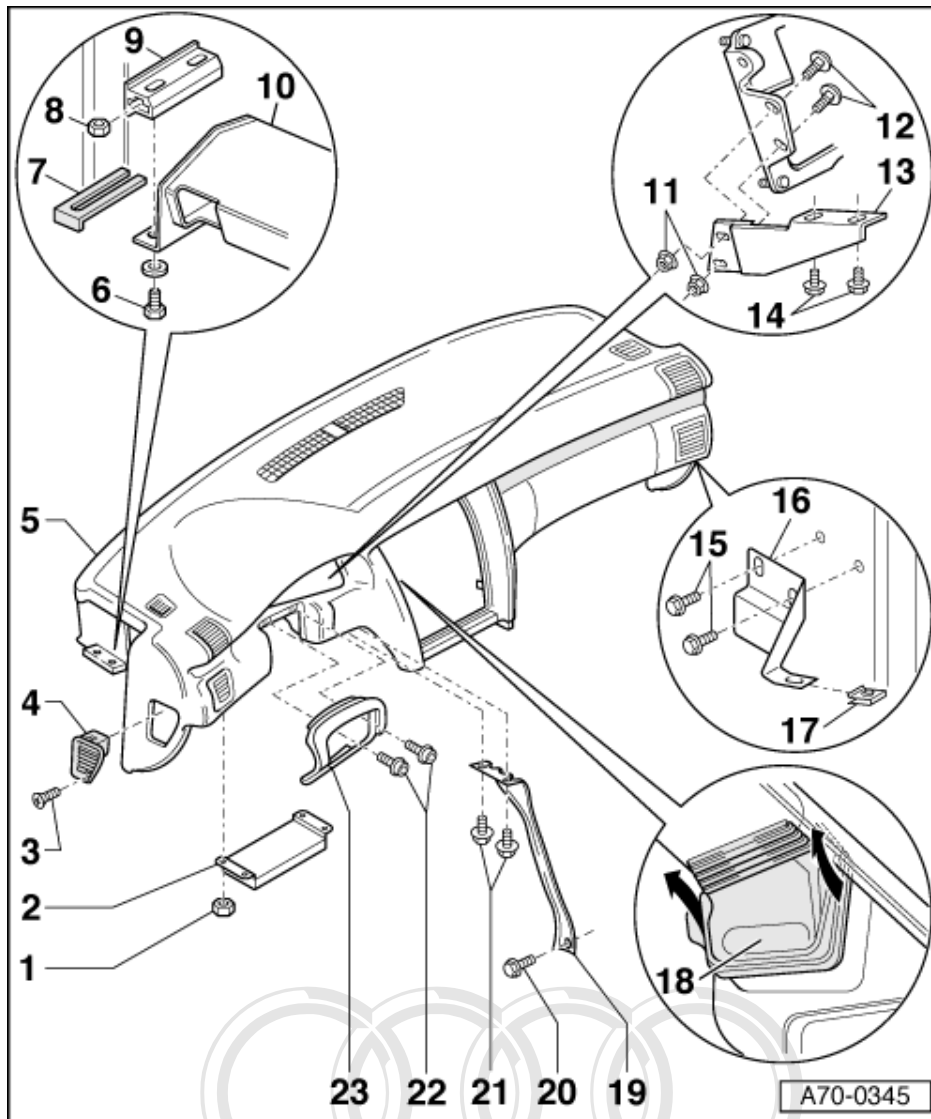
### 8.2 - Fitting locations - Exploded view

- 1 Nut- 6 Nm
  - ◆ 4 off
- 2 Control unit for ABS/EDL -J104
- 3 Crosshead screw - 1.5 Nm
- 4 Vent
  - ◆ Remove to adjust height of dash panel
- 5 Dash panel
  - ◆ Removing and installing  
=>Page 269 .
- 6 Hexagon bolt - 45 Nm
  - ◆ 4 off
- 7 Spacer

- ◆ For adjusting height of dash panel



- 8 Nut**
  - ◆ 4 off
  - ◆ Insert into bolt-on point -Item 9 - at A-pillar
- 9 Bolting point**
  - ◆ Dash panel to A-pillar
- 10 Dash panel support**
  - ◆ Can be detached from dash panel after removing dash panel
- 11 Nut - 10 Nm**
  - ◆ 2 off
- 12 Bolt -10 Nm**
  - ◆ 2 off
- 13 Dash panel bracket**
- 14 Hexagon bolt - 22 Nm**
  - ◆ 2 off



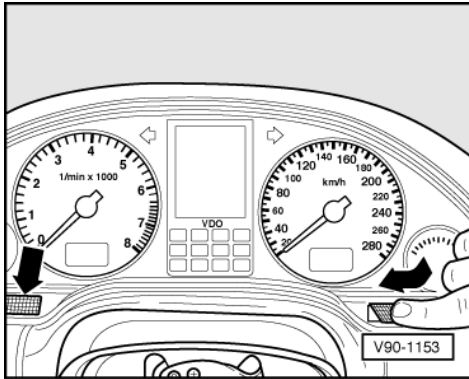
- 15 Hexagon bolt - 7 Nm
  - ◆ 4 off
- 16 Bracket
- 17 Speed nut
- 18 Air duct
  - ◆ To remove dash panel detach air distributor housing on left and right -arrows-
- 19 Dash panel support bracket
- 20 Hexagon bolt - 22 Nm
- 21 Hexagon bolt - 22 Nm
  - ◆ 2 off
- 22 Hexagon socket-head bolt - 2.5Nm
  - ◆ 2 off
- 23 Cover

### 8.3 - Removing and installing dash panel

#### Removing

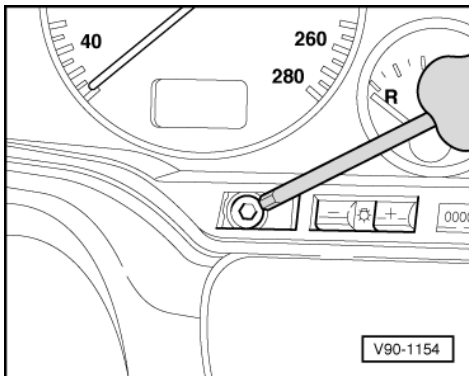
- Cover the driver's and passenger's seat with protective covers.
- Switch the ignition on.

- In vehicles with electrically adjustable seats, move them back as far as possible before disconnecting the battery.
- Move steering wheel as far back as it will go.
- Set flaps for windscreen dash panel vents to "close" press "Def" button on vehicles with air conditioning.
- Refer to coding on vehicles with encoded radio/radio navigation system (RNS); if necessary, interrogate.
- Disconnect earthing strap at battery with ignition switched off.
- Remove driver's stowage compartment =>Page 6 .
- Unscrew footwell vents in driver's footwell.
- Detach connector for footwell light and then detach footwell vent.



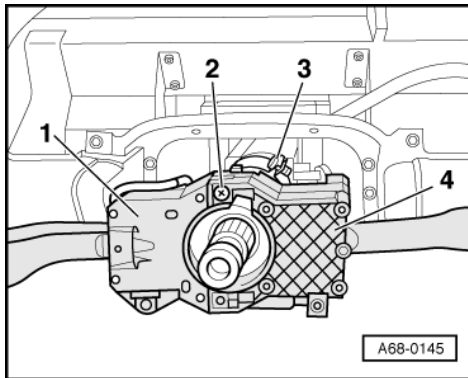
Protected by copyright. Copying for private or commercial purposes, in part or in whole, is not permitted unless authorised by AUDI AG. AUDI AG does not guarantee or accept any liability with respect to the correctness of information in this document. Copyright by AUDI AG.

- Remove glove compartment => Page 2 .
- Remove inner sill panel trims => Page 212 .
- Remove centre console => Page 14 .
- Remove steering wheel =>from Page 103 .
- -> Press each cover panel inwards -arrows- and detach.



- -> Unscrew the 2 bolts.
- Pull dash panel insert out of dash panel.
- Cut through cable ties on back of dash panel insert.
- Release catches of connectors and detach connectors.
- Detach steering-column switch trim => Page 9 .

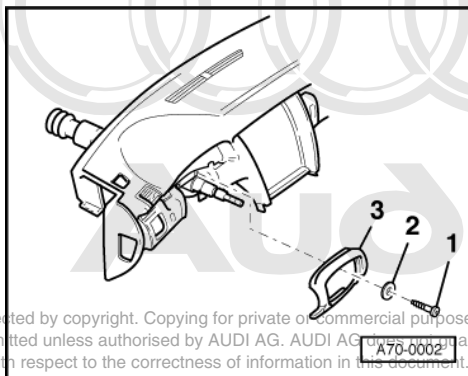
Vehicles 07.97 ä:



- Remove self-cancelling ring with coil connector and slip ring => Page 126 .
- -> Remove screw -2-.

All models:

- Lay aside right steering column switch -4- with connected wires.
- Loosen clamping bolt -3- and pull left steering-column switch -1- off steering column.
- Leave wires connected.

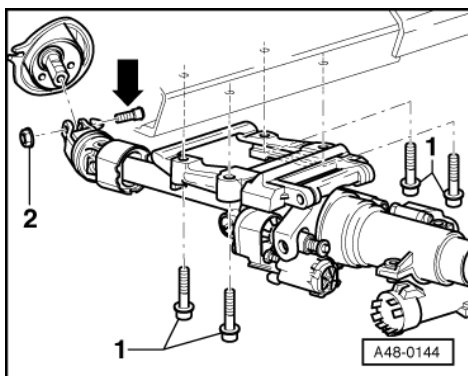


Protected by copyright. Copying for private or commercial purposes, in part or in whole, is not permitted unless authorised by AUDI AG. AUDI AG does not guarantee or accept any liability with respect to the correctness of information in this document. Copyright by AUDI AG.

- -> Screw out the two bolts -1- with washers -2- (2.5 Nm).
- Unclip cover -3-.

Vehicles with automatic gearbox:

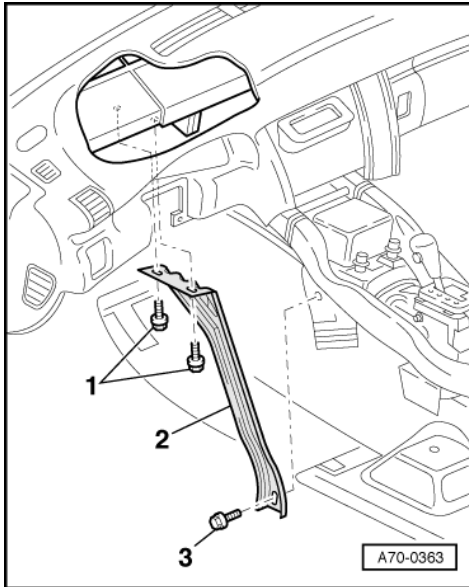
- Screw off holder (steel wire bracket) of cable for selector lever lock.



All models:

- -> Screw steering column off dash panel support (bolts -1-) and lay aside in driver's footwell.
- Do not pull steering column apart.

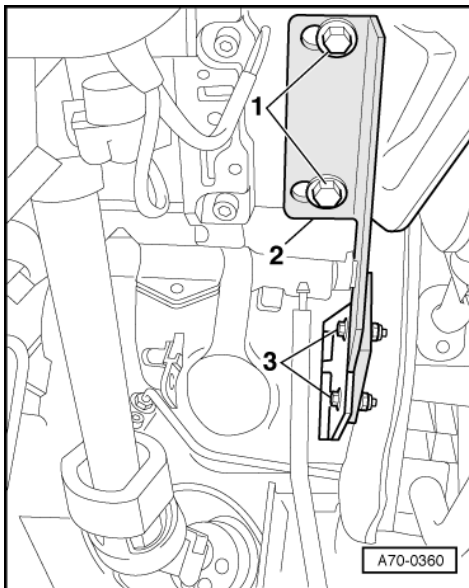
- Do not loosen nut -2-.



- Unscrew ABS/EDL control unit from dash panel support.
- If applicable, detach auxiliary relay at dash panel support.
- -> Screw off support bracket -2- between dash panel support and transmission tunnel (bolts -1- and -3-).

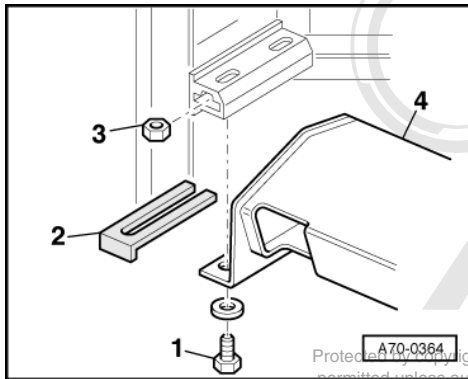
**Vehicles with manually adjustable headlight range control:**

- Detach connector from switch for headlight range control.

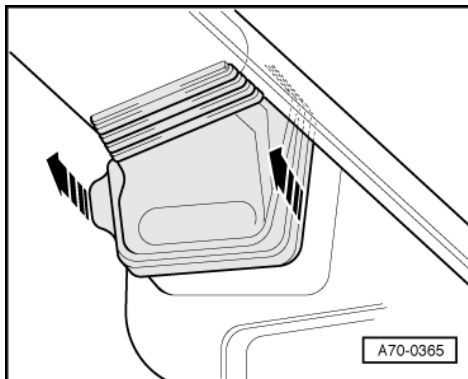


- Remove passenger's airbag unit => Page 131 .
- Detach connector for vent illumination.
  - Installation position: Passenger's side A-pillar above fuse holder.
- -> Screw out bolts -1- at holder -2- at pedal bracket.





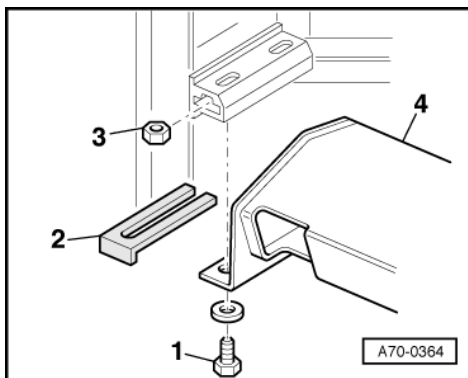
- -> Unscrew dash panel on left and right at A-pillar (4 bolts -1-).



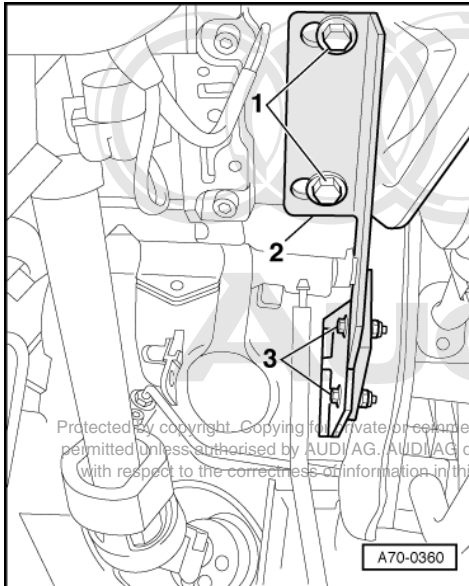
- -> Press air ducts on left and right off air distributor housing.
- Pull dash panel rearwards and take it out.
- Second mechanic required.

### Installing

- Move dash panel to installation position in vehicle.



- -> Before bolting on adjust height of dash panel by fitting spacers -2-.
- Vent -Item 267 must be removed to carry out adjustment.
- Height of dash panel must be on a level with door trim.
- Following adjustment screw on (45 Nm) support for dash panel -4- with bolts -1- and nuts -3- inserted at bolting-on point.



Protected by copyright. Copying for private or commercial purposes, in part or in whole, is not permitted unless authorised by AUDI AG. AUDI AG does not guarantee or accept any liability with respect to the correctness of information in this document. Copyright by AUDI AG.

- -> Loosen bolts -3- for stress-free installation of support -2-.
- Tighten bolts -1- to 22 Nm.
- Tighten bolts -3- to 10 Nm.

The remaining installation steps are carried out in the reverse sequence.

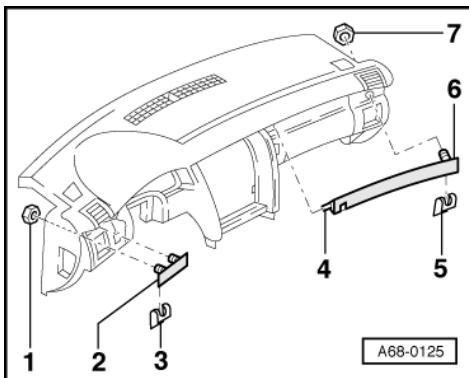
#### Removing and installing dash panel trim

- Remove top left/right dash panel vent.

=> Heating; Repair group 80; Components in passenger compartment Components in passenger compartment

=> Air Conditioner; Repair group 87; Components for control and regulation in passenger compartment Components for control and regulation in passenger compartment

- Remove driver's stowage compartment => Page 2 .

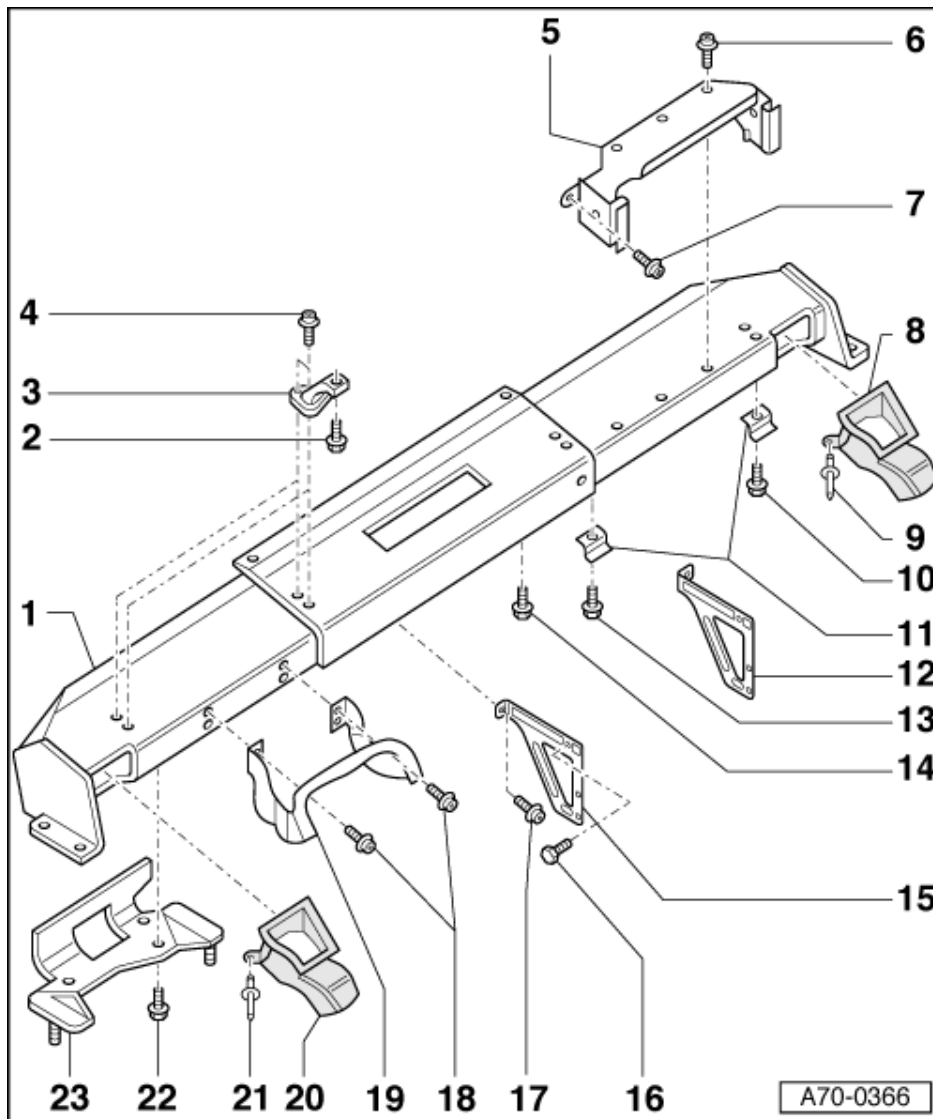


- -> Remove spring clips -3- and -5- between nuts -1- and -7- and dash panel.
- Detach left trim -2-.
- Pull right trim -6- to right out of fastener -4-.

#### Note:

*On nuts -1- and -7- pre-loading of trims can be adjusted.*

## 8.4 - Removing and installing dash panel support



### 1 Dash panel support

- ◆ With air ducts inserted in support
- ◆ Removing:
  - Remove dash panel =>Page 269 .
  - Remove acoustic brace => Page 279 .
  - Screw out dash panel/dash panel support bolts.
  - Detach dash panel support from dash panel.

### 2 Hexagon bolt - 8 Nm

- ◆ 4 off

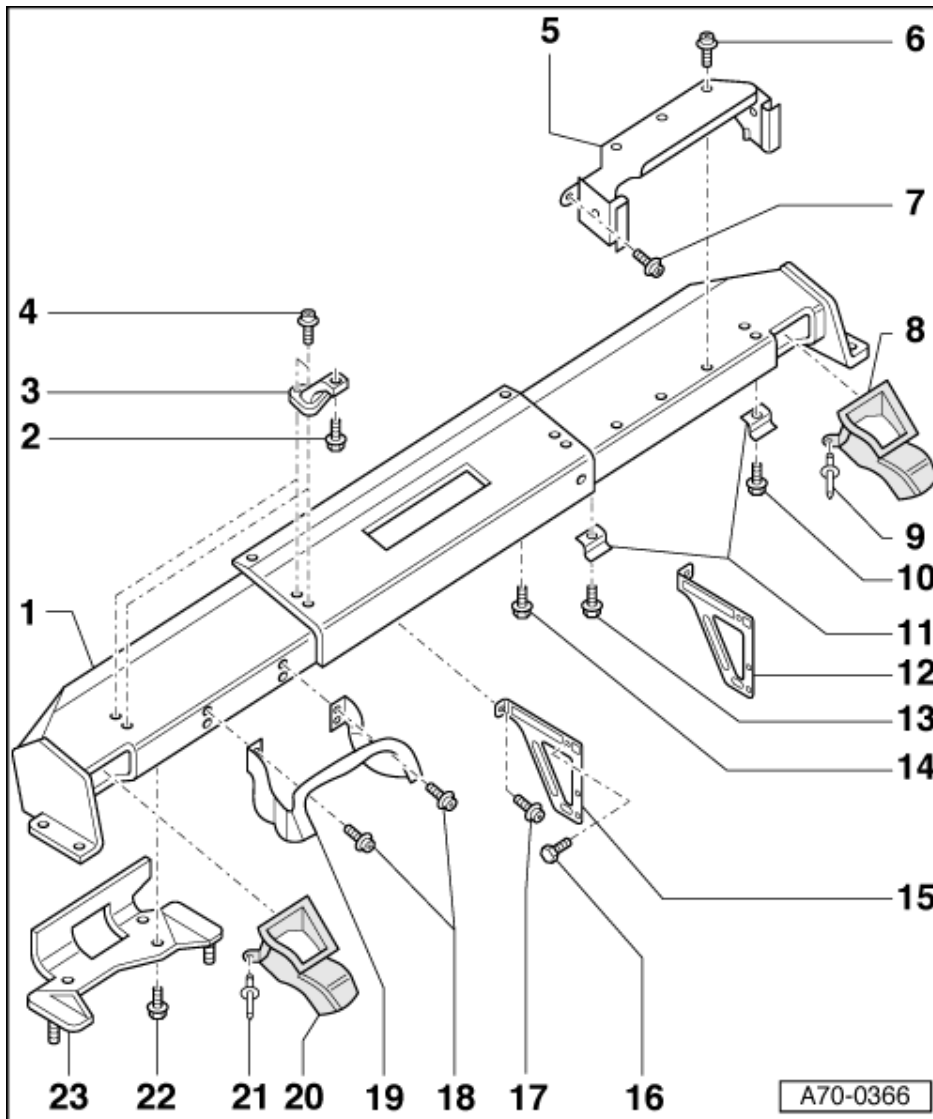
### 3 Dash panel bracket

- ◆ 4 off

### 4 Hexagon socket-head bolt - 5Nm

- ◆ 8 off

Protected by copyright. Copying for private or commercial purposes, in part or in whole, is not permitted unless authorised by AUDI AG. AUDI AG does not guarantee or accept any liability with respect to the correctness of information in this document. Copyright by AUDI AG.

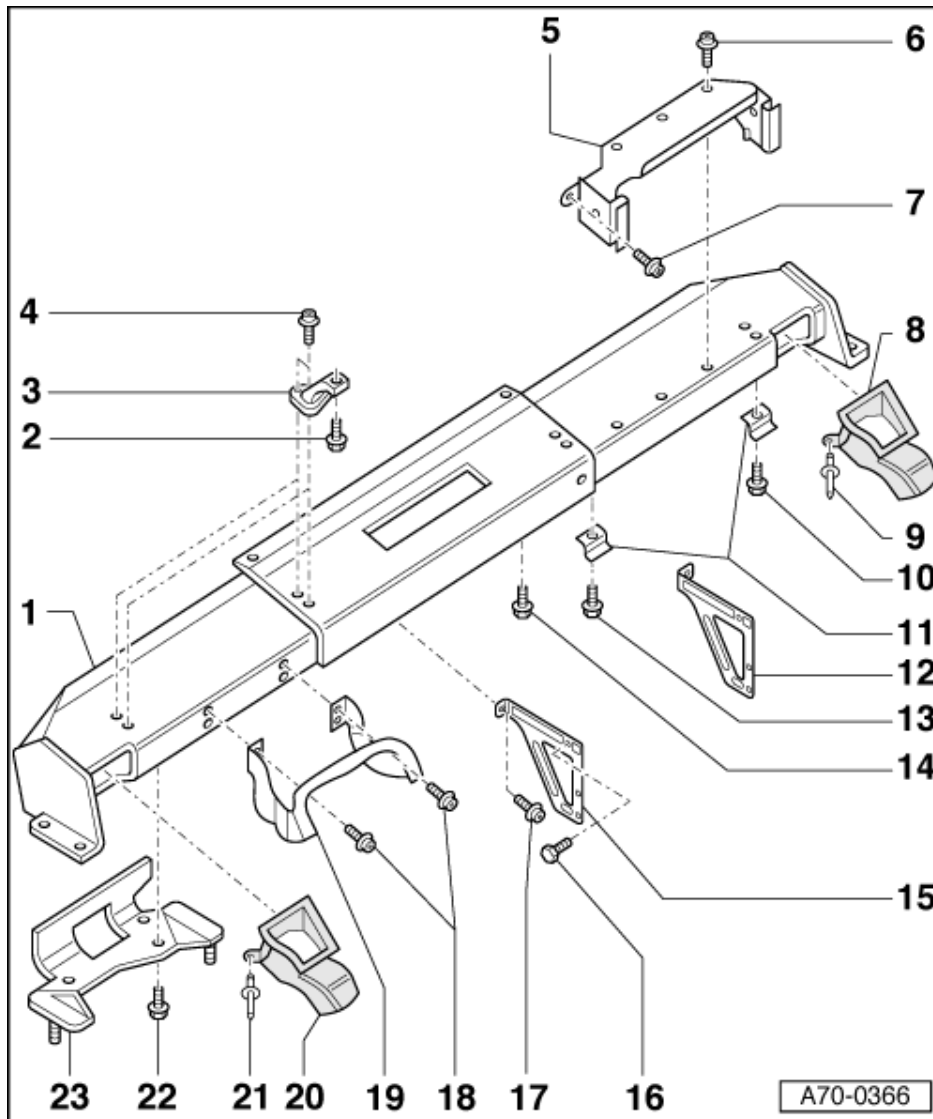


- 5 Support for passenger's airbag
- 6 Hexagon socket-head bolt - 5Nm
  - ◆ 3 off
- 7 Hexagon socket-head bolt - 5Nm
  - ◆ 2 off
- 8 Right air distributor
- 9 Blind rivet
  - ◆ 6 off
- 10 Hexagon socket-head bolt - 5Nm
- 11 Glove compartment catch
  - ◆ 2 off



**Audi**

Protected by copyright. Copying for private or commercial purposes, in part or in whole, is not permitted unless authorised by AUDI AG. AUDI AG does not guarantee or accept any liability with respect to the correctness of information in this document. Copyright by AUDI AG.



**12 Right support bracket for radio navigation system**

- ◆ Align accordingly with bolts -Item **16** - loosened to adjust gap between centre and end sections of dash panel.

**13 Hexagon socket-head bolt - 5Nm**

**14 Hexagon socket-head bolt - 8Nm**

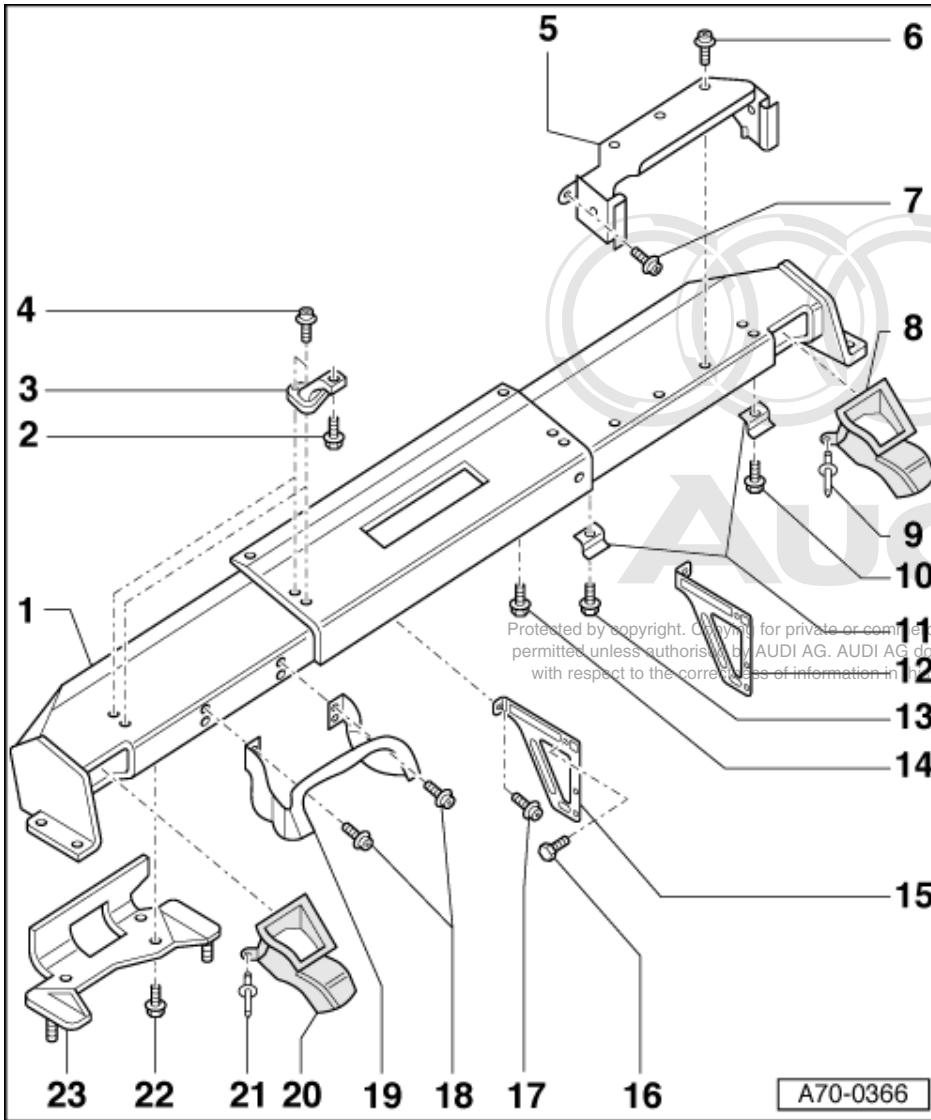
- ◆ 2 off

**15 Left support bracket for radio navigation system**

- ◆ Align accordingly with bolts -Item **16** - loosened to adjust gap between centre and end sections of dash panel.

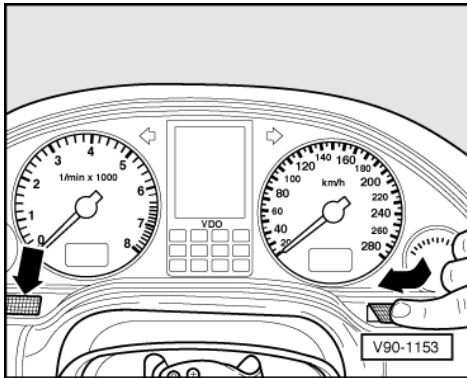


Protected by copyright. Copying for private or commercial purposes, in part or in whole, is not permitted unless authorised by AUDI AG. AUDI AG does not guarantee or accept any liability with respect to the correctness of information in this document. Copyright by AUDI AG.

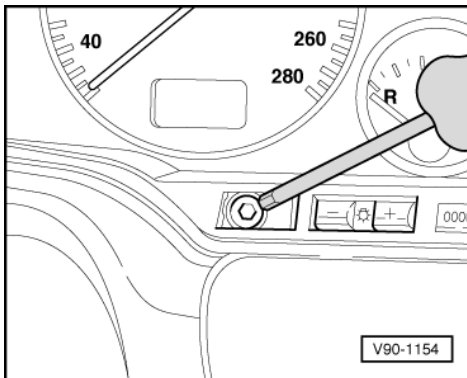


- 16 Hexagon bolt - 5 Nm**
- 17 Hexagon socket-head bolt - 5Nm**
  - ◆ 2 off
- 18 Hexagon socket-head bolt - 5Nm**
  - ◆ 4 off
- 19 Reinforcement piece**
- 20 Left air distributor**
- 21 Blind rivet**
  - ◆ 6 off
- 22 Hexagon socket-head bolt - 5Nm**
  - ◆ 3 off
- 23 Holder for ABS/EDL control unit**

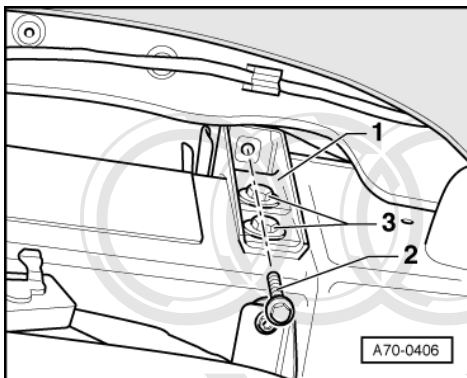
## 8.5 - Removing acoustic brace at dash panel support



- Move steering wheel as far downwards and to the rear as it will go.
- -> Press each cover panel inwards -arrows- and detach.



- -> Unscrew the 2 bolts.
- Pull dash panel insert out of dash panel.
- Cut through cable ties on back of dash panel insert.
- Release catches of connectors and detach connectors.



- Take out dash panel insert.
- -> Unscrew bolt -2- (8 Nm).

1 - Acoustic brace

3 - Bolts (8 Nm).

Protected by copyright. Copying for private or commercial purposes, in part or in whole, is not permitted unless authorised by AUDI AG. AUDI AG does not guarantee or accept any liability with respect to the correctness of information in this document. Copyright by AUDI AG.

## 72 - Seat frames

### 1 - Contact corrosion

#### 1.1 - Contact corrosion

Contact corrosion can occur if non approved fasteners are used on the vehicle (bolts, nuts, washers etc.).

For this reason, all the fasteners used in production are specially treated. These components can be identified by their greenish surface finish.

In addition to this, all rubber and plastic parts and all adhesives are made of non-electrically conductive materials.

If you are not sure whether used parts can be refitted, always fit new parts.

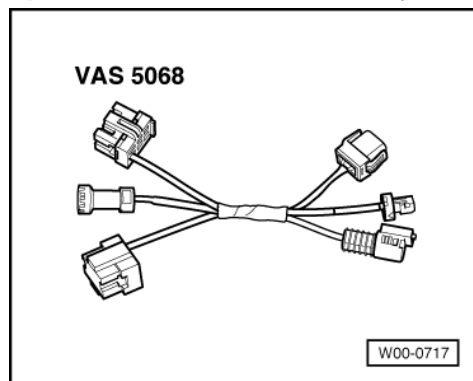
#### Important

- ◆ Use only genuine Audi A8 Parts.
- ◆ Accessories must be approved by AUDI AG.
- ◆ Damage resulting from contact corrosion is not covered by the warranty.

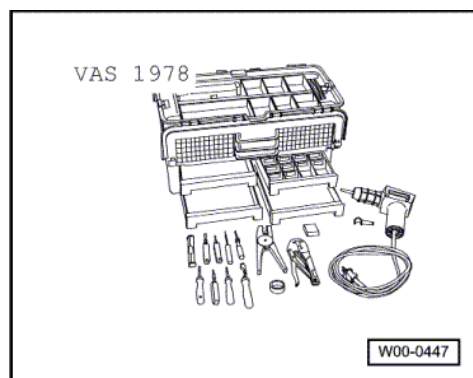
### 2 - Front seats

#### 2.1 - Front seats

#### Special tools, testers and auxiliary items required



- ◆ VAS 5068

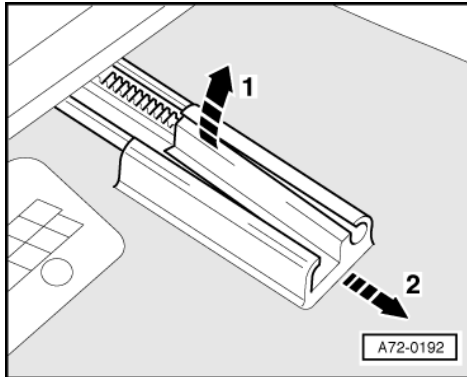




- ◆ VAS 1978

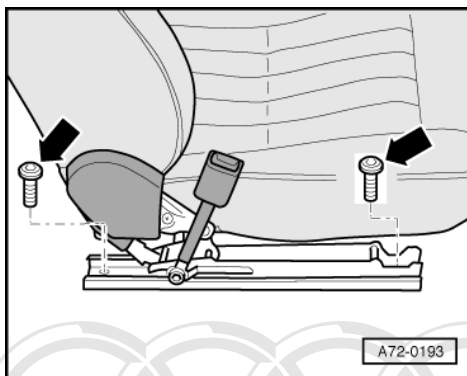
## 2.2 - Removing and installing front seat

### Removing



**Important**  
Observe safety precautions for working on airbag =>Page 89 .

- -> Slightly raise -arrow 1- retainers for rear trim strips (long) and detach -arrow 2- trim strips rearwards.



- -> Screw out (23 Nm) bolts -arrows-.

### Notes:

- ◆ To loosen front bolts move seat backwards and upwards.
- ◆ To loosen rear bolts move seat forwards and upwards.
- ◆ Mechanical longitudinal seat adjustment in the event of a fault in the electrical adjustment mechanism => Page 310 .

### Vehicles with side airbag:

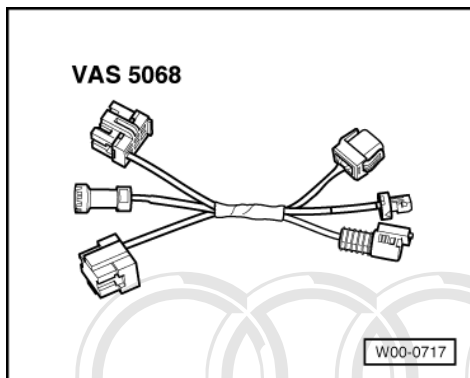
- Refer to coding on vehicles with encoded radio/radio navigation system (RNS); if necessary, interrogate. **Detach battery earthing strap/cable and cover negative terminal.**

Protected by copyright. All rights reserved. Reproduction, distribution and use of this document is permitted unless authorised by AUDI AG. AUDI AG does not guarantee or accept any liability with respect to the correctness of information in this document. Copyright by AUDI AG.

### Note:

*The mechanic must electrostatically discharge him/herself before separating igniter and earth wiring (briefly touch closing wedge for door or body).*

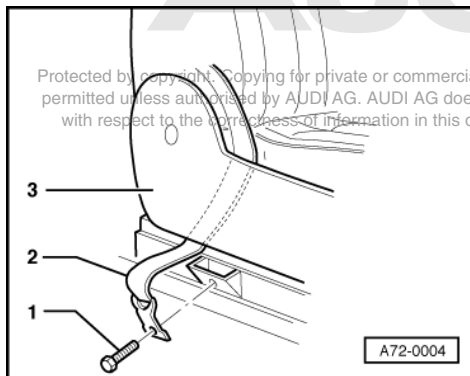
- Detach connectors at seat.



- -> Attach airbag connector of seat to mating piece on adapter VAS 5068.
- Connect appropriate coupling on VAS 5058 to any connector on seat.
  - Airbag wire is now connected to seat "earth" and seat can be removed.

#### All models:

- Detach connectors at seat.



- -> Screw out (55 Nm) bolt -1-.
- Route seat belt -2- past back of seat cover panel -3-.

#### Note:

*Cover over floor covering to protect against damage/dirt.*

- Take seat out off vehicle.

#### Installing

Installation is carried out in the reverse order; note the following:

#### Vehicles with side airbag:

- Switch the ignition on.

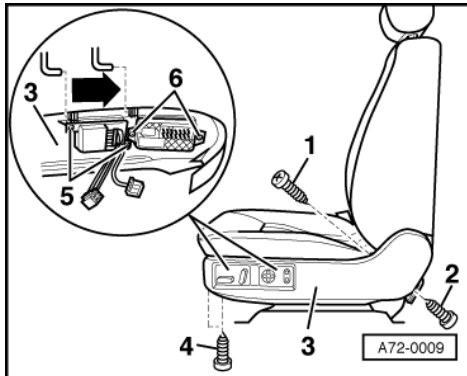
**Important**  
There must be no-one in the vehicle when the battery is being connected.

- Connect battery.

## 2.3 - Removing and installing outer seat frame trim

Important  
Observe safety precautions for working on airbag =>

- Remove front seat => Page 281 .



- -> Screw out bolts -1-, -2- and -4- (2 Nm).
- Detach trim -3- frontward in direction of arrow.
- Detach connectors.

### Remove seat adjustment switch

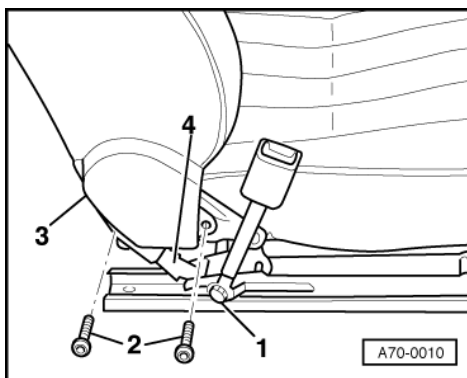
- Screw out bolts -5- and -6- (2 Nm).

Important  
Observe seat installation instructions for vehicles with side airbag =>Page 282 .

## 2.4 - Removing and installing inner seat frame trim

Important  
Observe safety precautions for working on airbag =>

- Remove front seat => Page 281 .



- -> Screw out (2 Nm) bolts -2-.
- Remove trim -3-.

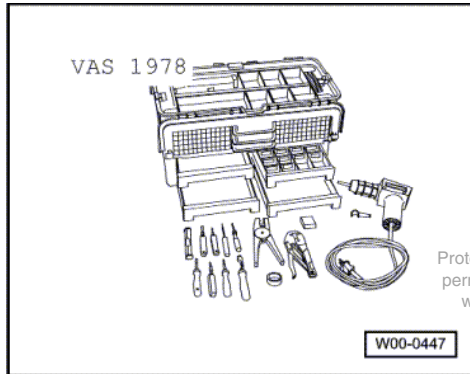


Protected by copyright. Copying for private or commercial purposes, in part or in whole, is not permitted unless authorised by AUDI AG. AUDI AG does not guarantee or accept any liability with respect to the correctness of information in this document. Copyright by AUDI AG.

**Important**

Observe seat installation instructions for vehicles with side airbag =>Page **282** .

## 2.5 - Removing and installing back rest



Protected by copyright. Copying for private or commercial purposes, in part or in whole, is not permitted unless authorised by AUDI AG. AUDI AG does not guarantee or accept any liability with respect to the correctness of information in this document. Copyright by AUDI AG.

### Special tools, testers and auxiliary items required

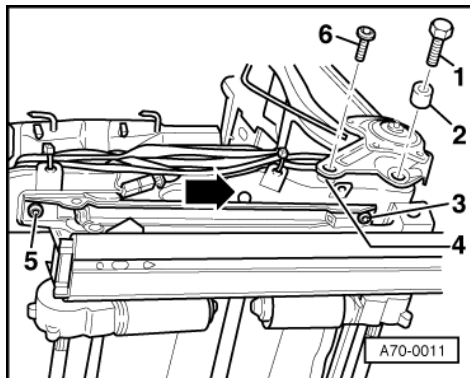
- ◆ VAS 1978

### Removing

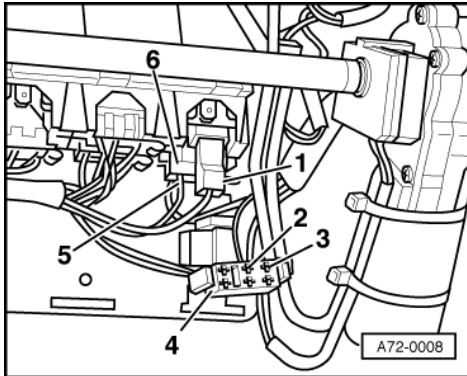
**Important**

Observe safety precautions for working on airbag =>

- Remove front seat => Page **281** .
- Remove outer seat frame trim => Page **283** .



- Remove inner seat frame trim =>Page **283** .
- Unfasten backrest panel at bottom from seat frame =>Page **385** .
- -> Screw out bolts -1- and -6-.(45 Nm).
  - Adapter socket -2- is only fitted on left side of seat. The spacers -4- are installed on left and right.
- Unfasten cable attachment and cable tie at seat.



- -> Eject wires -2- and -3- from plug -4-.
- Detach wire -1-.
- Pull connecting lead -5- with VAS 1978 out of connector housing -6-.
- Ease wires out of seat frame.

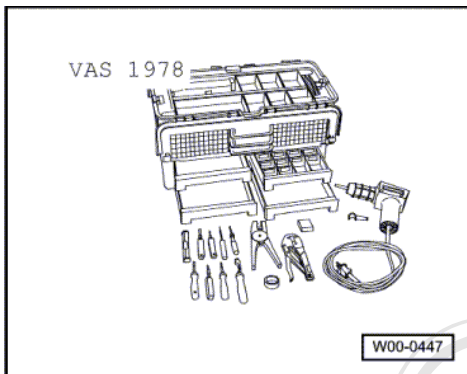
### Installing

Installation is carried out in the reverse order; note the following:

#### Important

Observe seat installation instructions for vehicles with side airbag =>Page 282 .

## 2.6 - Removing and installing backrest with sports seat



### Special tools, testers and auxiliary items required

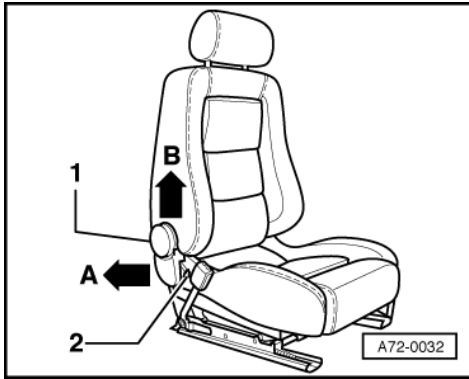
- ◆ VAS 1978

### Removing

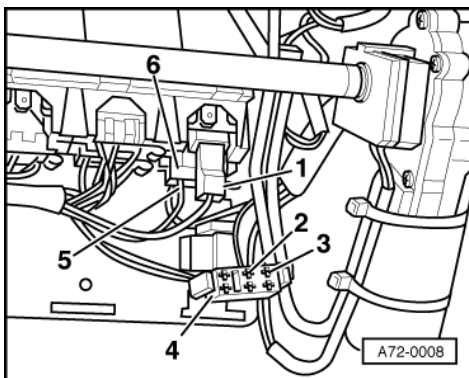
#### Important

Observe safety precautions for working on airbag =>

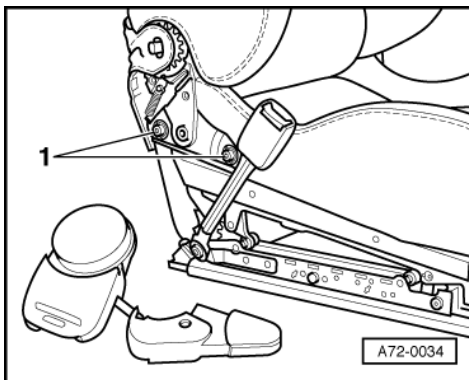
- Remove front seat => Page 281
  - Remove outer seat frame trim => Page 287
- Protected by copyright. Copying for private or commercial purposes, in part or in whole, is not permitted without the written consent of AUDI AG. AUDI AG does not guarantee or accept any liability with respect to the correctness of information in this document. Copyright by AUDI AG.



- -> Carefully pull trim for backrest hinge -1- in direction of arrow -A- at the same time push it upwards in direction of arrow -B- and disconnect.
- Unclip trim -2-.



- -> Eject wires -2- and -3- from plug -4-.
- Detach wire -1-.
- Pull connecting lead -5- with VAS 1978 out of connector housing -6-.
- Ease wires out of seat frame.



- -> Screw out bolts -1- on left and right.
- Detach backrest.

### Installing

Installation is carried out in the reverse order; note the following:

### Important

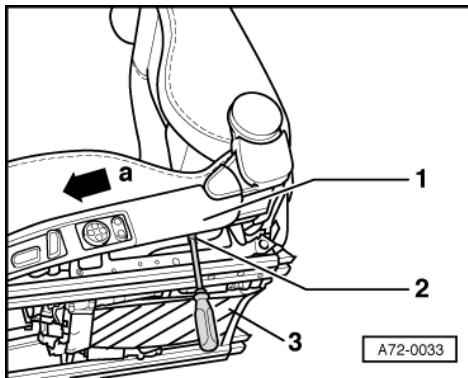
Observe seat installation instructions for vehicles with side airbag => Page 282

Protected by copyright. Copying for private or commercial purposes, in part or in whole, is not permitted unless authorised by AUDI AG. AUDI AG does not guarantee or accept any liability for the accuracy of the information in this document. Copyright by AUDI AG.



**Audi**

## 2.7 - Removing and installing outer seat frame trim with sports seat



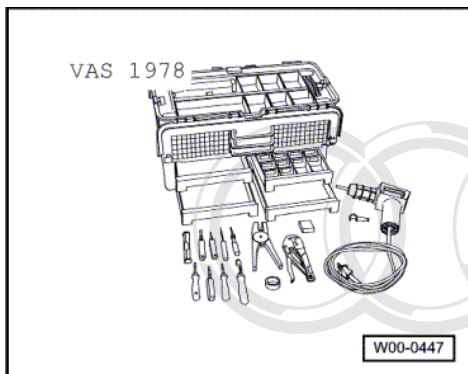
- -> Screw out the two bolts -2- on the underside of trim -1-.
- Pull trim off retaining pin in direction of arrow -a-
- Unscrew switch from trim.
- Detach connectors.

### Important

Observe seat installation instructions for vehicles with side airbag =>Page 282 .

## 2.8 - Removing and installing runner

### Special tools, testers and auxiliary items required

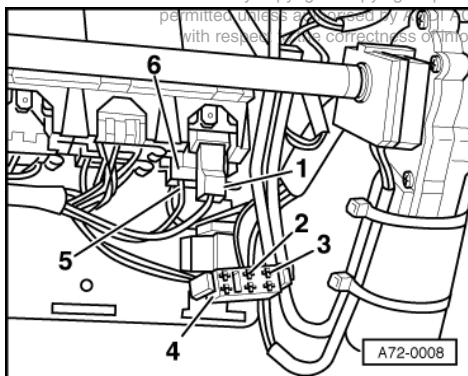


- ◆ VAS 1978

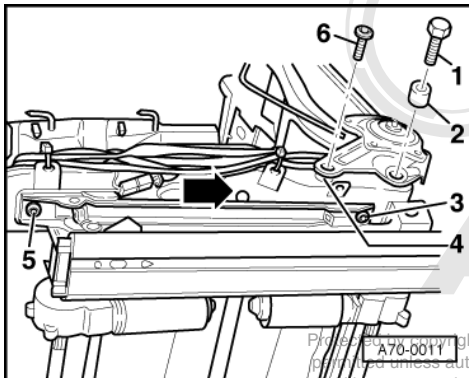
### Procedure

- Remove front seat => Page 281 .

Protected by copyright. Copying for private or commercial purposes, in part or in whole, is not permitted unless expressly permitted by Audi AG. AUDI AG does not guarantee or accept any liability with respect to the correctness of information in this document. Copyright by AUDI AG.



- -> Eject wires -2- and -3- from plug -4-.
- Detach connector -1-.
- Pull connecting lead -5- with VAS 1978 out of connector housing -6-.
- Ease wires out of seat frame.

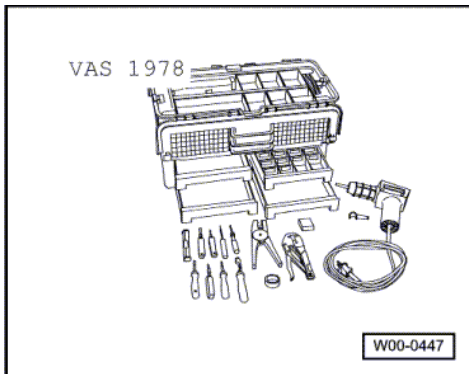


Picture is copyright. Copying for private or commercial purposes, in part or in whole, is not permitted unless authorised by AUDI AG. AUDI AG does not guarantee or accept any liability with respect to the correctness of information in this document. Copyright by AUDI AG.

- -> Screw out (20 Nm) bolt -6-.
- Slide runner slightly rearwards -arrow-.
- Detach runner downwards.

## 2.9 - Removing and installing runner with sports seat

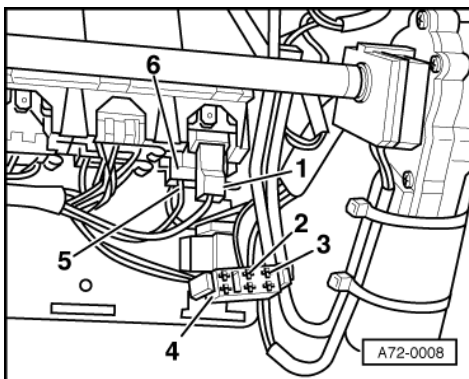
### Special tools, testers and auxiliary items required



- ◆ VAS 1978

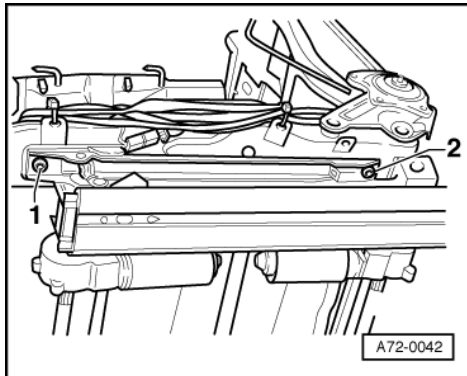
### Procedure

- Remove front seat => Page 281 .





- -> Eject wires -2- and -3- from plug -4-.
- Detach connector -1-.
- Pull connecting lead -5- with VAS 1978 out of connector housing -6-.
- Ease wires out of seat frame.



- -> Screw out bolts -1- and -2- on left and right.
- Unscrew bracket for control unit =>Page 327 .

## 2.10 - Removing and installing lumbar support and head restraint mount

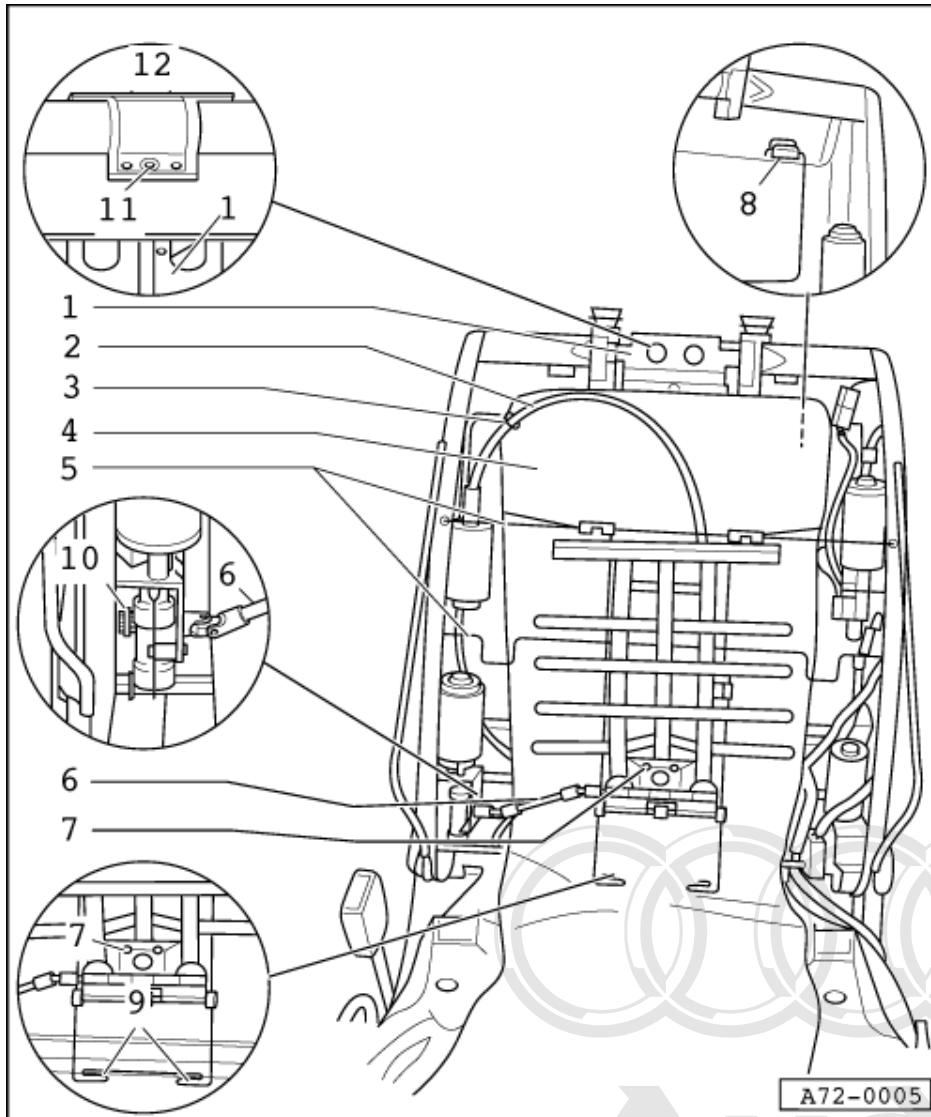
Important  
Observe safety precautions for working on airbag =>

### Notes:

- ◆ Slacken off lumbar support.
- ◆ Backrest frame is not unscrewed from seat frame.
- Remove front seat => Page 281 .
- Detach upholstery from backrest =>Page 388 .



Protected by copyright. Copying for private or commercial purposes, in part or in whole, is not permitted unless authorised by AUDI AG. AUDI AG does not guarantee or accept any liability with respect to the correctness of information in this document. Copyright by AUDI AG.



**1 Head restraint mount**

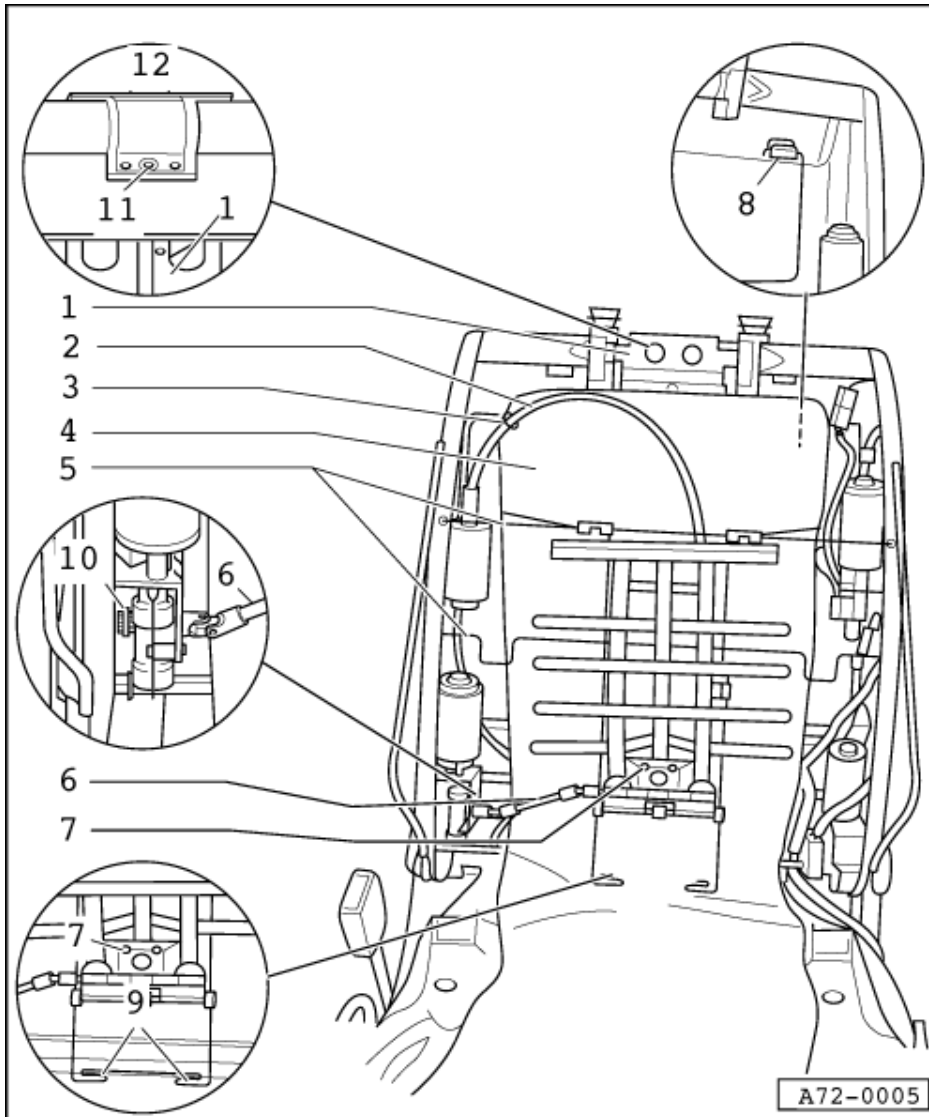
- ◆ On vehicles with electrically adjustable head restraints
- ◆ Removing:
  - Screw out bolt -Item **11** - and detach retainer (backrest frame is shown from rear in detail view).
  - Detach drive shaft from drive motor.

**2 Height adjustment drive shaft**

- ◆ For lumbar support

**3 Drive shaft retaining ring**

- ◆ Attached with anti-squeak pad -Item **4** - to backrest frame using cable tie.



#### 4 Anti-squeak pad

- ◆ Lumbar support is also to be removed
- ◆ Re-attach cable ties at same position on installation

#### 5 Linkage

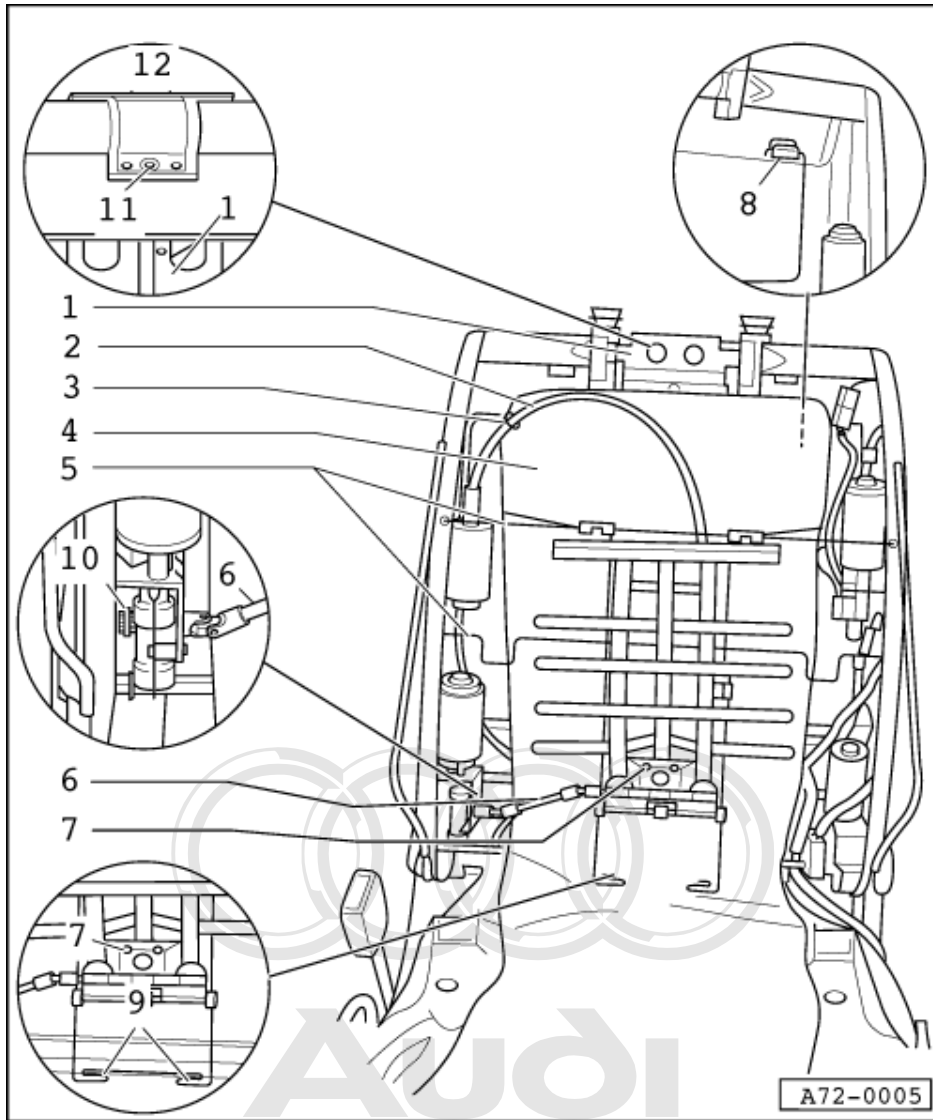
#### 6 Input shaft

- ◆ Detach circlip -Item 10 - and detach drive shaft

#### 7 Lumbar support

- ◆ Removing:
  - Unfasten all cable ties for anti-squeak pad -Item 4 -.
  - Remove circlip -Item 10 -.
  - Detach linkage -Item 5 -.
  - Detach lumbar support from retainers -Item 8 - and -Item 9 -.
  - Detach drive shaft -Item 2 - from lumbar support.

Protected by copyright. Copying for private or commercial purposes, in part or in whole, is not permitted unless authorised by AUDI AG. AUDI AG does not guarantee or accept any liability with respect to the correctness of information in this document. Copyright by AUDI AG.



**8 Retainer**

- ◆ 2 off
- ◆ Press on firmly when fitting retainer

**9 Retainer**

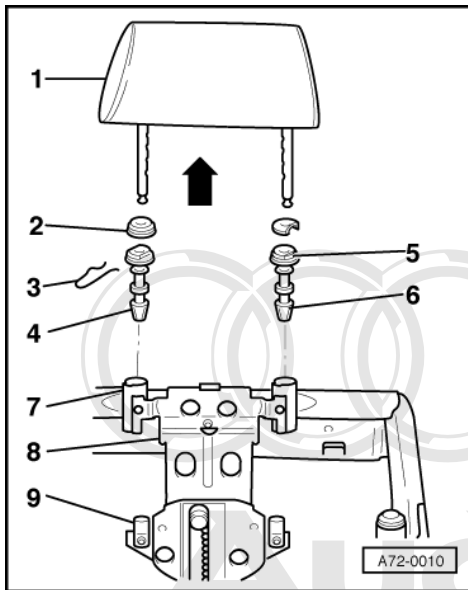
- ◆ 2 off
- ◆ Press on firmly when fitting retainer

**10 Circlip**

**11 Bolt**

**12 Cover**

## 2.11 - Removing and installing head restraints



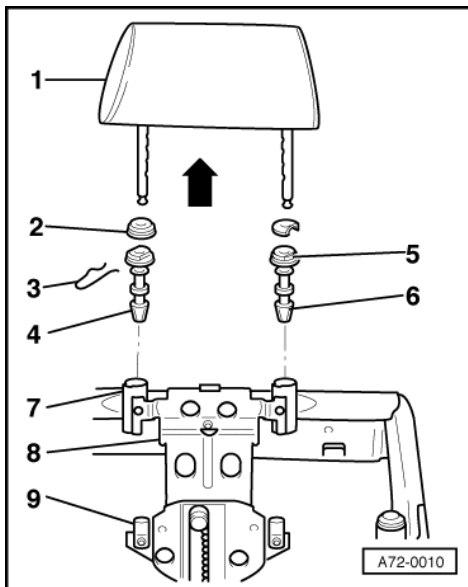
- Remove front seat =>Page 281 .
- Detach upholstery from rear seat backrest =>Page 388 .

Protected by copyright. Copying for private or commercial purposes, in part or in whole, is not permitted unless authorized by AUDI AG. AUDI AG does not guarantee or accept any liability with respect to the correctness of information in this document. Copyright by AUDI AG.

### Removing head restraints

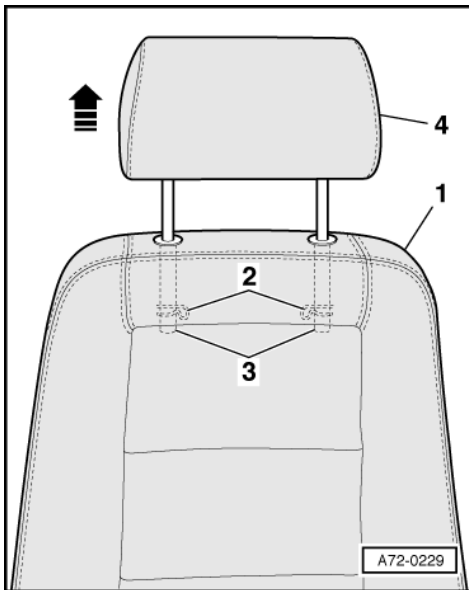
- -> Press catch -5- and pull off head restraint -1- upwards.
- Pull off head restraint -1- in direction of arrow.

### Removing electrically adjustable head restraints



- -> Remove head restraint -1- by hitting hard in direction of arrow out of the retaining clips -9-.
- Press release mechanism -5- and take out head restraint -1-.

### Removing electrically adjustable head restraints with sports seat



- -> Remove head restraint -4- by hitting hard in direction of arrow from backrest -1- and pull up until limit stop.
- Feel for clips -2- through cover -1-.
- Press clips -2- (2x) and take out head restraint -4- from the head restraint guide -3-.

## 2.12 - Removing and installing head restraints with monitor

### Removing

#### Note:

*All cable ties which are released or cut open when removing must be fitted in the same position when installing.*

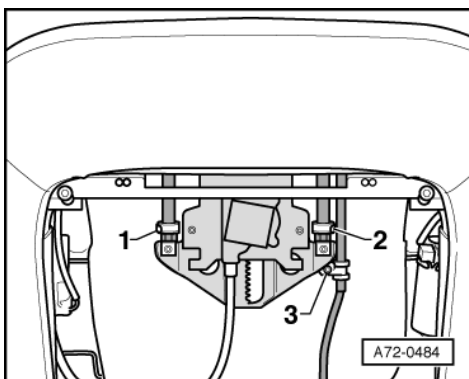
- Remove front seat => Page 281 .
- Remove outer seat frame trim => Page 283 .

### Seat without folding table

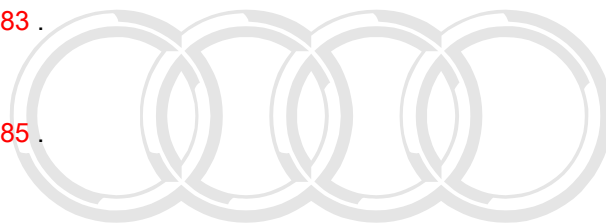
- Remove backrest cover panel => Page 385 .

### Seat with folding table

- Remove folding table => Page 301 .



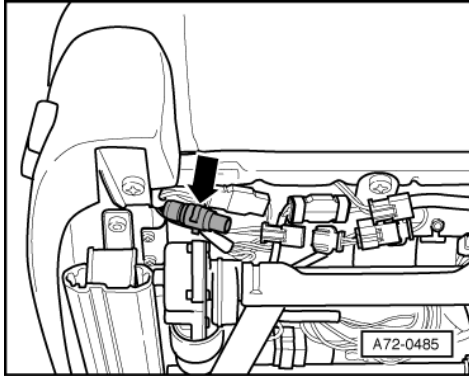
- -> Release hose clamps -1- and -2-.



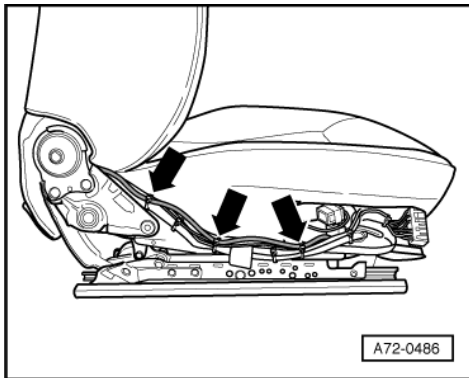
**Audi**

Protected by copyright. Copying for private or commercial purposes, in part or in whole, is not permitted unless authorised by AUDI AG. AUDI AG does not guarantee or accept any liability with respect to the correctness of information in this document. Copyright by AUDI AG.

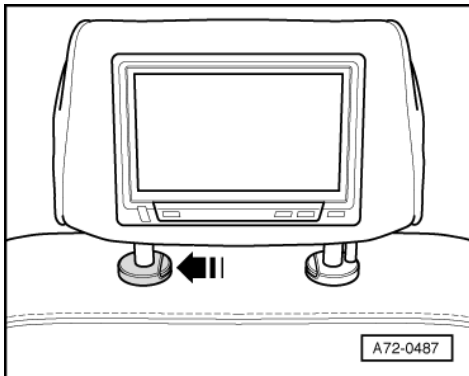
- Remove bolt -3- at the cable clip.



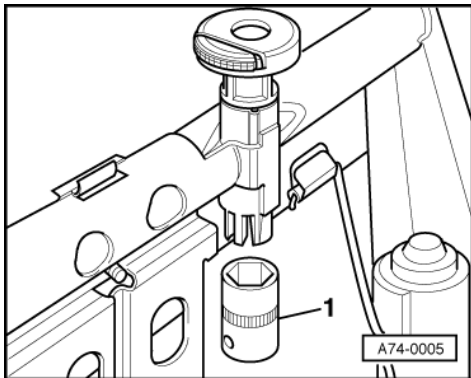
- -> Unclip the connector from the front bracket under the seat cushion -arrow-.



- -> Detach the cable ties -arrows- and expose the wiring to the monitor.
- Pull through the wiring to the monitor rearwards.



- -> Press catch -arrow- and remove head restraint upwards.
- Carefully lay the head restraint with the monitor on the seat cushion - the wiring remains in the head restraint guide.



- -> Use 17 mm wrench socket -item 1- to release the head restraint guide with wiring guide.

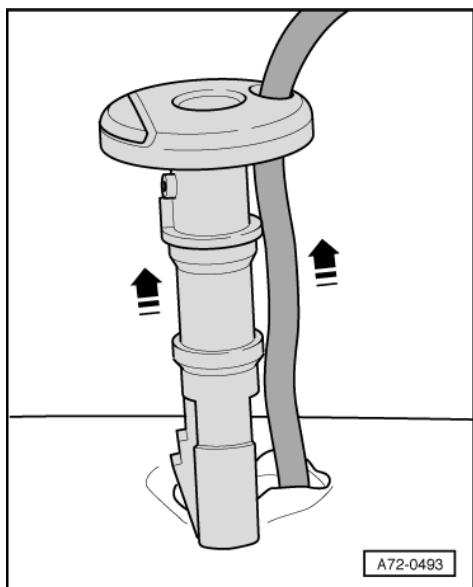
**Note:**

*Shown in illustration with backrest upholstery removed.*

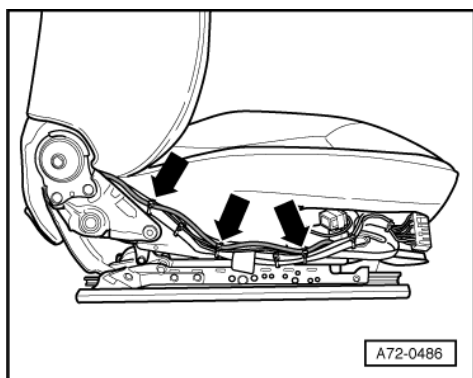


Audi

Protected by copyright. Copying for private or commercial purposes, in part or in whole, is not permitted unless authorised by AUDI AG. AUDI AG does not guarantee or accept any liability with respect to the correctness of information in this document. Copyright by AUDI AG.



- -> Pull out the head restraint guide upwards out of the backrest together with the wiring -arrows-.
- Detach the connector from the backrest through the head restraint guide mount.



**Installing**

Installation is carried out in the reverse order; note the following:



- -> Route the wiring to the monitor parallel to the seat wiring harness as shown in the illustration.
- Attach the cable ties at the locations indicated by the arrows.

#### Seat without folding table

- Fit backrest cover => Page 385 .

#### Seat with folding table

- Install folding table => Page 302 .

#### All models:

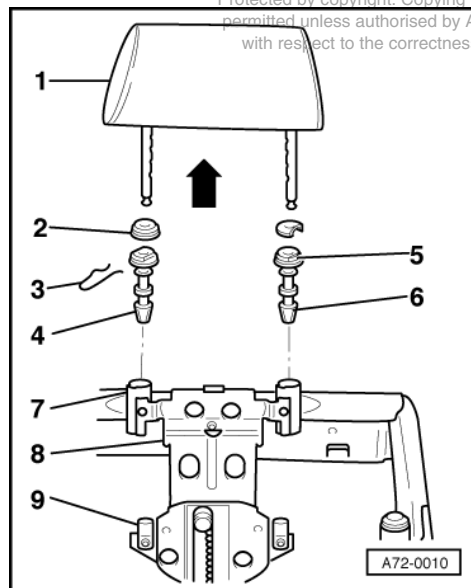
- Install outer seat frame trim => Page 283 .

#### Tightening torques

Component	Nm
Cable clip for pipe for monitor cable to head restraint mount	2
Hose clamp for head restraint attachment	2

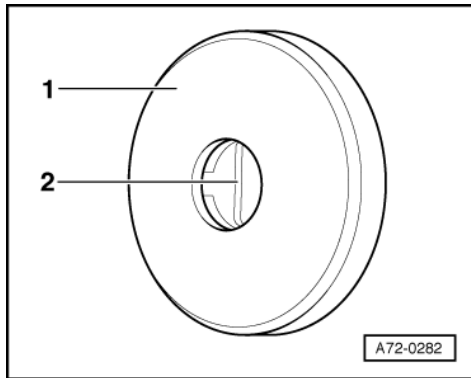
### 2.13 - Removing and installing head restraint guides

Protected by copyright. Copying for private or commercial purposes, in part or in whole, is not permitted unless authorised by AUDI AG. AUDI AG does not guarantee or accept any liability with respect to the correctness of information in this document. Copyright by AUDI AG.



#### Notes:

- ◆ Head restraint guide -6- with release mechanism -5- is fitted on left side of backrest.
- ◆ Head restraint guide -4- without release mechanism is fitted on right side of backrest.
- ◆ Release mechanism -5- must face left in the case of manually adjustable head restraints.
- ◆ Release mechanism -5- must face left in the case of electrically adjustable head restraints.
- ◆ An Omega-spring -3- is only fitted in combination with manually adjustable head restraints.

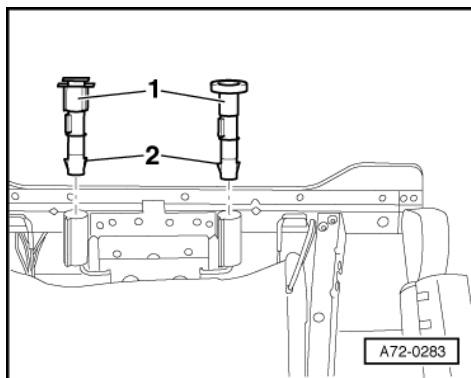


◆ Removing

- Remove head restraints => Page 293 .

-> With manually adjustable head restraints:

- Remove trim cap -1- from head restraint guide without release.
- Remove Omega clip -2-.

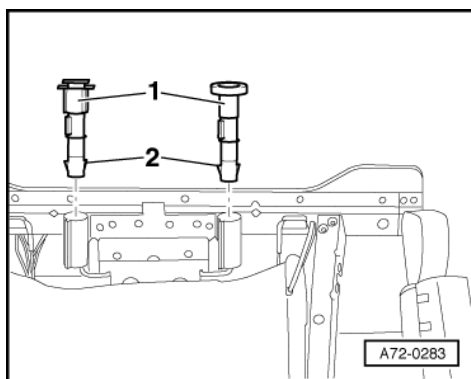


**Note:**

*For better illustration the head restraint guides are shown with upholstery removed.*

*The head restraint guides cannot be removed without any damage.*

- -> Press retainer tabs -2- (4x) together.
- Remove head restraint guides -1- (2x) upwards.



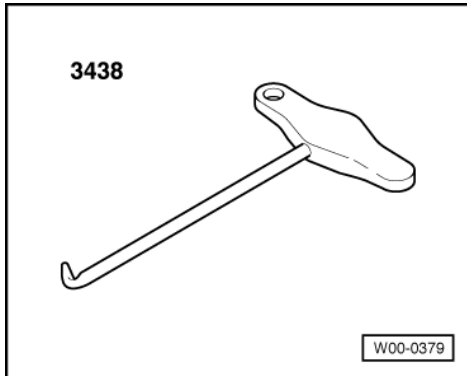
◆ Installing



Protected by copyright. Copying for private or commercial purposes, in part or in whole, is not permitted unless authorised by AUDI AG. AUDI AG does not guarantee or accept any liability with respect to the correctness of information in this document. Copyright by AUDI AG.

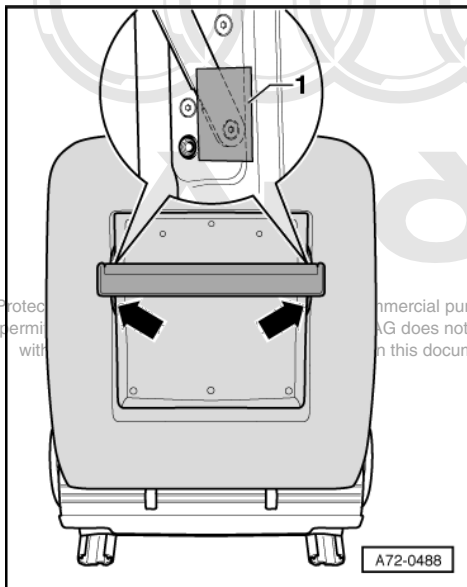
- -> Install in reverse order.

## 2.14 - Removing and installing mechanical folding table



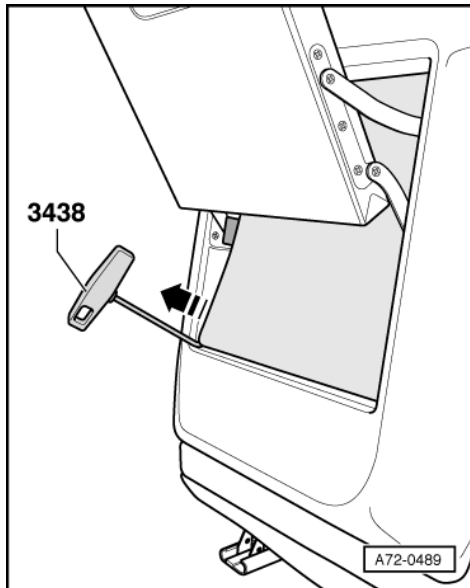
### Special tools and workshop equipment required

- ◆ Hook 3438

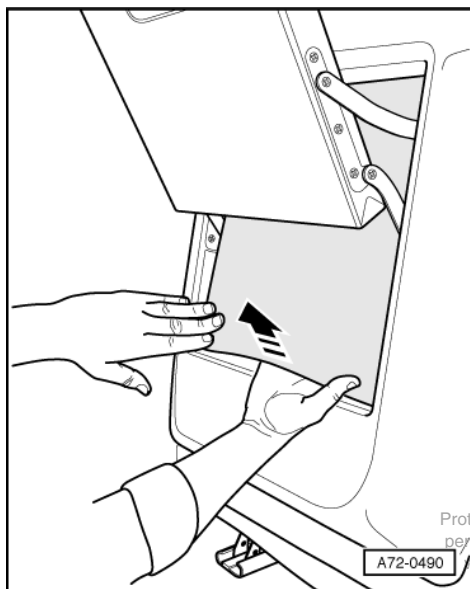


### Removing

- Open the folding table.
- -> Mask the hinges using fabric-reinforced adhesive tape -1- to protect the cover -arrows-.

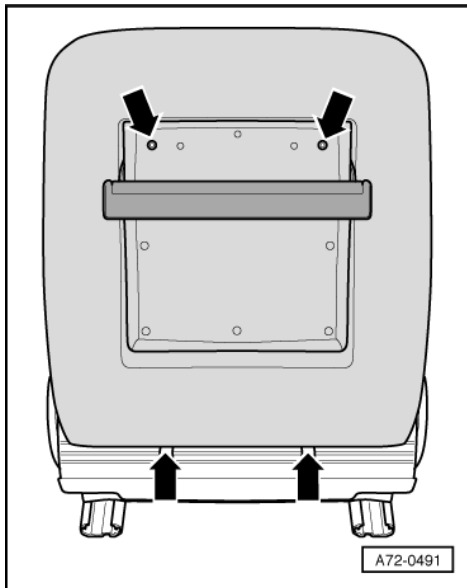


- -> Carefully detach part of the backrest trim at one bottom end using hook 3438.



Protected by copyright. Copying for private or commercial purposes, in part or in whole, is not permitted unless authorised by AUDI AG. AUDI AG does not guarantee or accept any liability with respect to the correctness of information in this document. Copyright by AUDI AG.

- -> Pass your hand underneath the backrest trim, bowing back the centre section -arrow-.
- Detach the backrest trim from the Velcro fastening in this manner.
- Lift the trim (still bowed) over both buffer stops and remove the backrest cover downwards.



- -> Unscrew the bolts -arrows- and remove the mechanical folding table.

### Installing

Installation is carried out in the reverse order; note the following:

- Check for correct installation:
  - The housing of the mechanical folding table must fit evenly in the backrest all around
  - The backrest cover must be free of folds
- If necessary, align the folding table => Page 302 .

### Tightening torque

Component	Nm
Folding table to folding table bracket	3.5
Top	2.0
Bottom	

## 2.15 - Removing and installing electric folding table

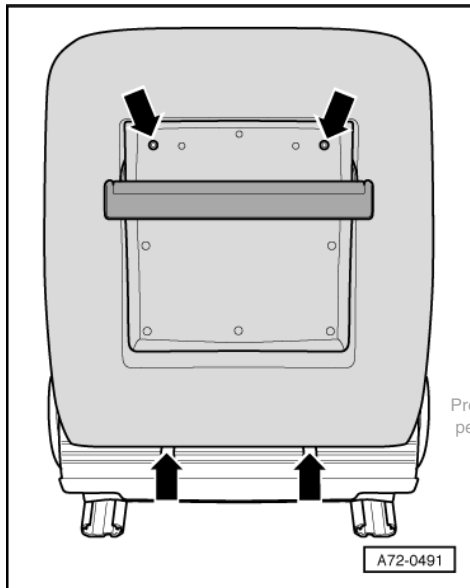
### Removing

- Open the folding table.

#### **Note:**

*If the folding table cannot be opened owing to an electrical fault, the fault memory for the folding table must be erased => Page 304 .*

permitted unless authorised by AUDI AG. AUDI AG does not guarantee or accept any liability with respect to the correctness of information in this document. Copyright by AUDI AG.



Protected by copyright. Copying for private or commercial purposes, in part or in whole, is not permitted unless authorised by AUDI AG. AUDI AG does not guarantee or accept any liability with respect to the correctness of information in this document. Copyright by AUDI AG.

- -> Unscrew the bolts -arrows- and remove the electric folding table.
- Detach connector.

### Installing

Installation is carried out in the reverse order; note the following:

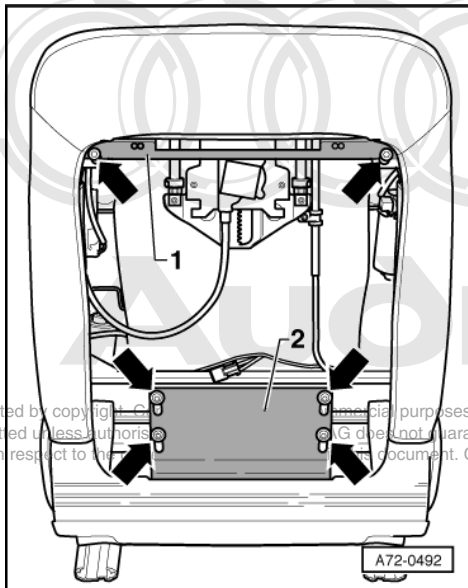
- Check for correct installation:
  - The housing of the electric folding table must fit evenly in the backrest all around
  - The backrest cover must be free of folds
- If necessary, align the folding table => Page 302 .

### Tightening torque

Component	Nm
Folding table to folding table bracket	6
Top	
Bottom	2

## 2.16 - Aligning the folding table to backrest

- Remove folding table => Page 301 .



Protected by copyright. This document is intended for technical purposes, in part or in whole, is not permitted unless authorized. Audi AG does not guarantee or accept any liability with respect to this document. Copyright by AUDI AG.

- -> Release the bolts -arrows- by a few turns.
- Tighten the bolts until the folding table brackets -1- and -2- can still just be moved by hand.
- Install the folding table and align by striking lightly with the ball of the hand.
  - The housing of the folding table must fit evenly in the backrest all around
  - The backrest cover must be free of folds
- Remove the folding table again and tighten the bolts of the folding table brackets.
- Install folding table => Page 302 .

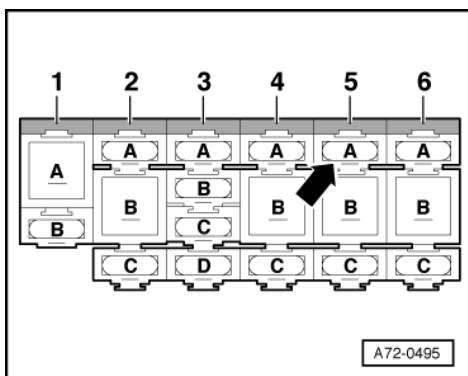
#### Tightening torque

Component	Nm
Bracket for folding table at backrest	6

## 2.17 - Erasing fault memory for folding table motor

#### Notes:

- ◆ The microprocessor which controls the folding table motor is able to store an "undervoltage" fault.
- ◆ When a fault is stored, the folding table motor ceases to function. The fault memory must be erased as described below.



- -> Remove the fuse for the folding table motor -arrow- for approx. 5 seconds.
- Fitting location of fuse: In relay and fuse carrier in right-hand side of luggage compartment
- Reinsert the fuse into the socket - the fault memory has been erased.

## 2.18 - Operating emergency release for electric folding table

- Erase the folding table motor fault memory => Page 303 before operating the emergency release. It may be possible to operate the motor in this manner.

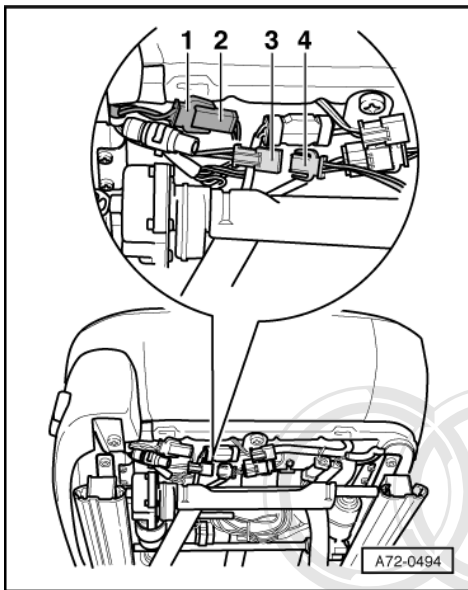
### Note:

Power supply of the folding table motor is via a microprocessor.

In the event of a defective microprocessor, the table can be folded open via an emergency release in order to permit removal.

For this purpose, the motor is connected directly to the voltage supply by switching the position of two connectors. This operation must be interrupted before the folding table has been completely folded down.

If the folding table continues to the stop, the gearing of the folding table mechanism will be damaged.



- -> Unplug connectors -1- and -2- as well as connectors -3- and -4- under the seat.
- Connect the voltage supply wire -4- from the body to the folding table motor via wire -2-.

### Important

- ◆ The wires must be disconnected before the folding table has been completely folded down.
- ◆ If the folding table continues to the stop, the gearing of the folding table mechanism will be damaged.

Protected by copyright. Copying for private or commercial purposes, in part or in whole, is not permitted unless authorised by AUDI AG. AUDI AG does not guarantee or accept any liability with respect to the correctness of information in this document. Copyright by AUDI AG.

## 2.19 - Replacing crown wheel for electric folding table

### Auxiliary equipment required

- ◆ Multi-purpose grease
- ◆ Fabric reinforced adhesive tape

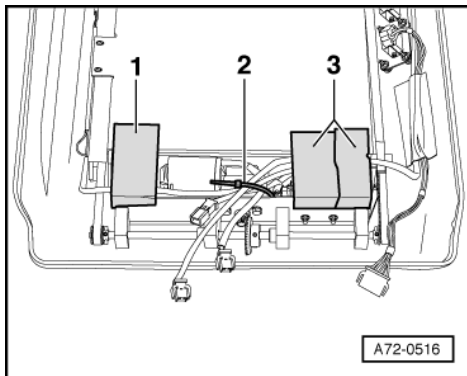
### Removing

- Remove electric folding table => Page 301 .

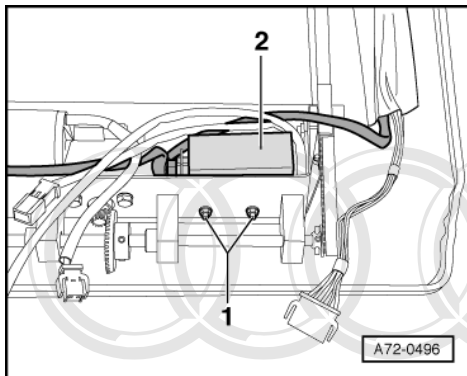


**Note:**

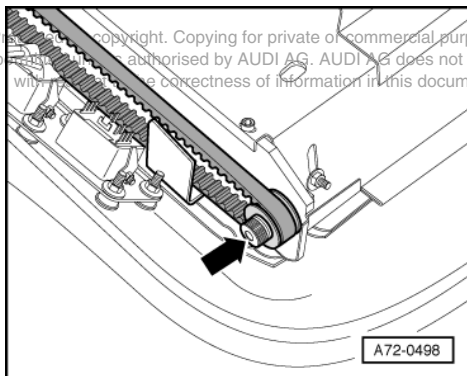
The cable ties and adhesive strips must be reattached in their prior locations.



- -> Remove adhesive strips -1- and -3-.
- Cut open cable tie -2-.

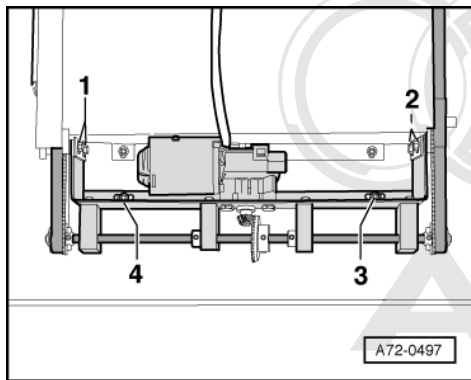


- -> Unscrew the nuts -1- and remove the washers.
- Remove the folding table control unit -2-; note the inserted spacers.
- Set the folding table control unit aside with the wiring still connected.

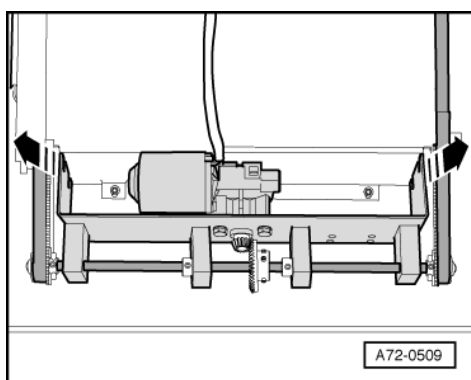


- -> Release the upper guide rollers of both toothed belts -arrow-. The tooth belt is slackened thereby.

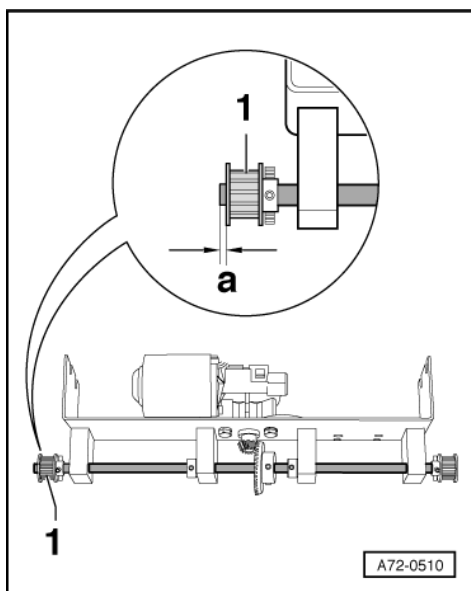
Copyright. Copying for private or commercial purposes, in part or in whole, is not permitted without the written authorisation of AUDI AG. AUDI AG does not guarantee or accept any liability for the correctness of information in this document. Copyright by AUDI AG.



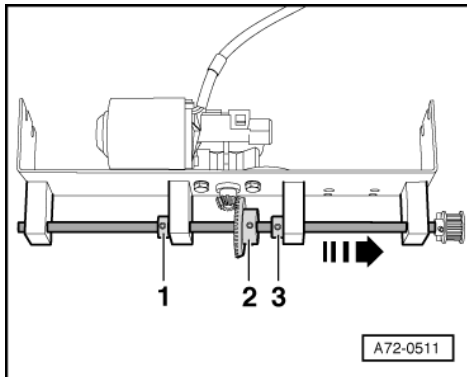
- -> Unscrew the nuts -3- and -4- and remove the washers.
- Remove bolts -1- and -2- and remove the washers and packing plates.



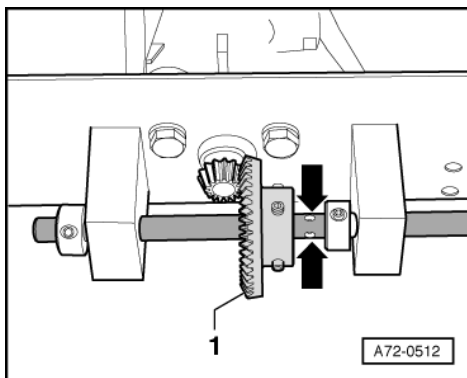
- -> Swivel the drive motor with bracket out the folding table housing -arrows-.
- Remove both toothed belts.



- -> Measure dimension -a- for reinstallation of the left toothed belt pulley -1- (plan view).
- Remove the left toothed belt pulley (plan view).



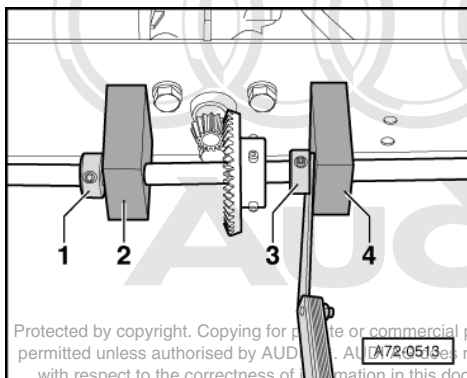
- -> Loosen the grub screws in the adjustment rings -1- and -3-.
- Loosen the grub screws in the crown wheel -2-.
- Pull the drive shaft in direction of arrow until the crown wheel can be replaced.



### Installing

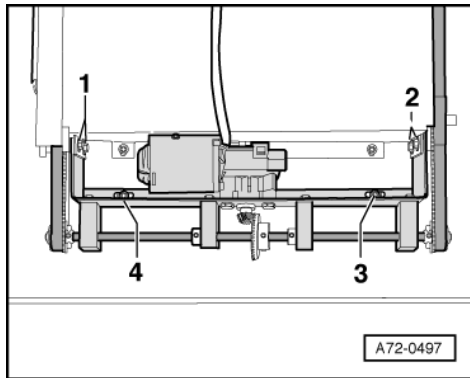
Installation is carried out in the reverse order; note the following:

- -> Install the crown wheel -1- so that the grub screws engage in the holes -arrows- on the drive shaft.

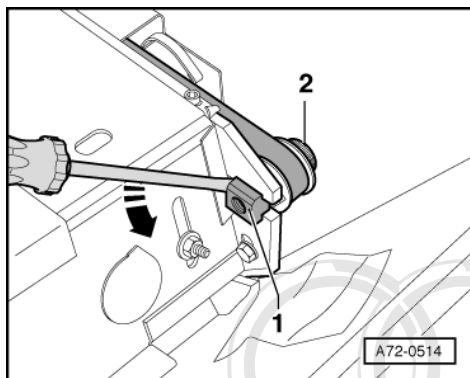


Protected by copyright. Copying for private or commercial purposes, in part or in whole, is not permitted unless authorised by AUDI AG. Audi AG does not guarantee or accept any liability with respect to the correctness of the information in this document. Copyright by AUDI AG.

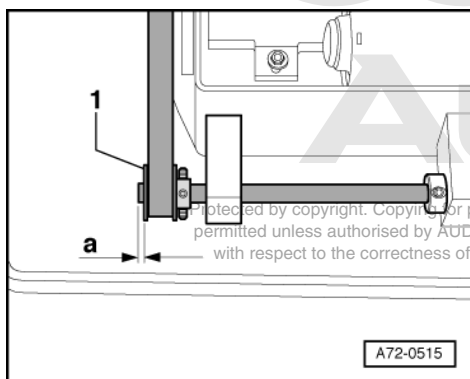
- Grease the bearings and splines of the crown wheel with multi-purpose grease.
- -> Push the drive shaft into the installation position until the crown wheel contacts the bevel gear of the drive motor (press lightly).
- Insert a 0.05 mm feeler gauge -arrow- between the adjustment ring -3- and the bearing bracket -4- and tighten the adjustment ring grub screw.
- Repeat the procedure at adjustment ring -1- and bearing bracket -2-.



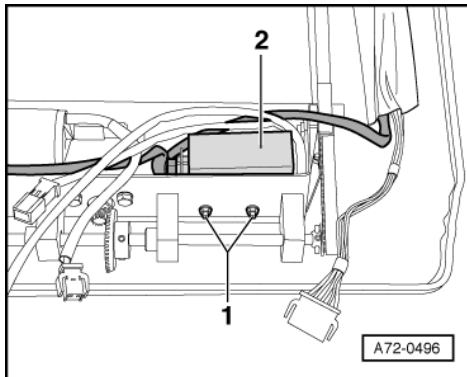
- -> Insert the drive motor with bracket into the folding table housing,
- while fitting both toothed belts onto the drive shaft.
- Install nuts -3- and -4- with washers and tighten.
- Install bolts -1- and -2- with washers and packing plates and tighten.
- Fit the left toothed belt pulley (plan view) with the toothed belt installed, but do not yet tighten the grub screws.



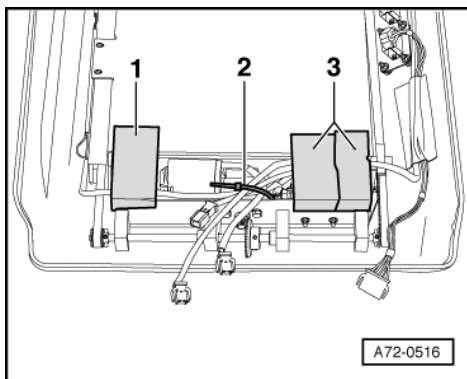
- -> Tension the left and right toothed belts by moving the sliding block -1- at the upper guide roller and tighten the hexagon socket-head bolts -2-.



- -> Align the left toothed belt pulley -1- (plan view) in accordance with distance -a-, measured during removal and secure in place with at least 2 grub screws.



- -> Install control unit for folding table motor -2- with spacers and washers, and tighten nuts -1-.



- -> Attach the cable tie -2- and fabric-reinforced adhesive strips -1- and -3-, as shown in the illustration.
- Electrically close the folding table at the seat and fold the table out and back in.
- Check the function and parallel running of the table on the left and right.
  - If the table does not fold out parallel, loosen the grub screws at the right toothed belt pulley (plan view) and turn the toothed belt pulley as required.
- Tighten all the grub screws at the right toothed belt pulley to final torque.

**Tightening torques**

Component		Nm
Crown wheel to drive shaft		0.5
Adjustment ring to drive shaft		0.5
Frame for drive motor to folding table housing	M3	1
	M4	3
Idler roller		10
Toothed belt pulley to drive shaft		0.5
Control unit for folding table motor to retaining frame		3

**3 - Electrically adjustable sports seats**

Protected by copyright. Copying for private or commercial purposes, in part or in whole, is not permitted unless authorised by AUDI AG. AUDI AG does not guarantee or accept any liability for errors or omissions in this document. Copyright by AUDI AG.

**3.1 - Electrically adjustable sports seats**

**Important**  
 Observe safety precautions for working on airbag =>

**General notes:**

- ◆ Remove front seat => Page 281 .
- ◆ Bolts to which locking compound had been applied must be cleaned prior to pre-fitting and coated with liquid locking compound D 000 600 on insertion. Clean mating threads beforehand with thread cutter.
- ◆ Refer to cable routing on removal and take care not to alter on installation.
- ◆ Mark installation position of cable ties on dismantling and re-attach cable ties at same location. Re-attach cable ties at same location.
- ◆ Connectors which had been attached with clips must be secured in the same manner on re-assembly.
- ◆ Make use of current flow diagram:

=> Binder "Current flow diagrams, Electrical Fault-finding and Fitting Locations"; Electric seat adjustment and seat heating, Recaro sports seats

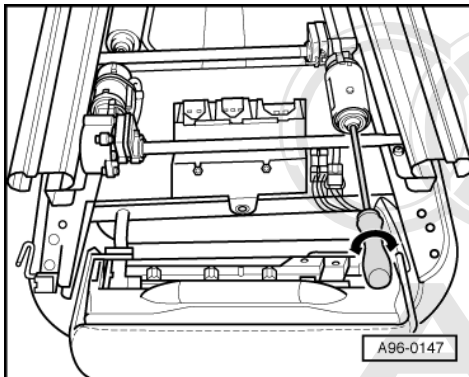
- ◆ The backrest or seat heating elements are bonded to the upholstery. Removing and installing => Page 394 .

### 3.2 - Mechanical longitudinal seat adjustment

**Note:**

*Mechanical longitudinal seat adjustment must be performed to provide access to seat bolts if electrical longitudinal adjustment mechanism is defective.*

- If possible move front and rear seat height adjustment mechanism to highest position.



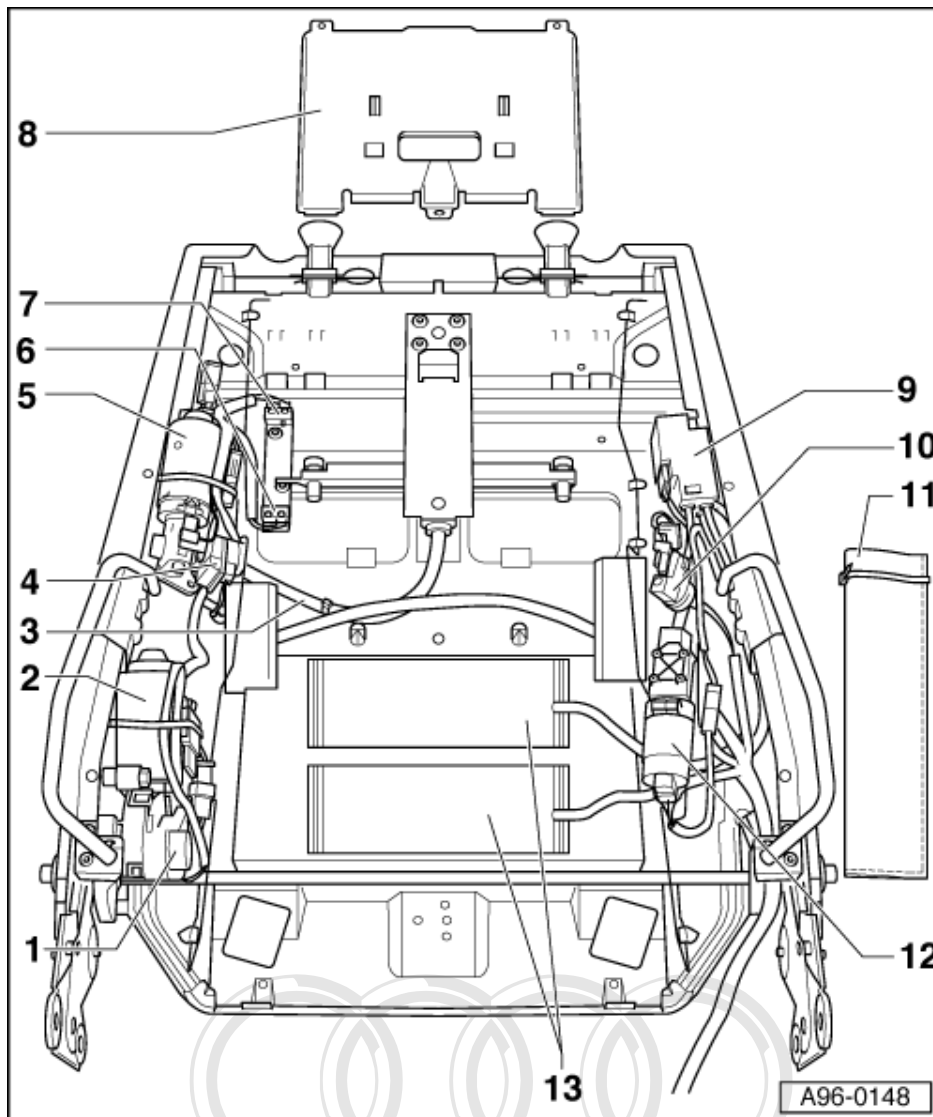
- -> Apply screwdriver or drill with flexible shaft and screwdriver attachment to end face of motor for longitudinal adjustment and turn in desired direction -arrow-

Protected by copyright. Copying for private or commercial purposes, in part or in whole, is not permitted unless authorised by AUDI AG. AUDI AG does not guarantee or accept any liability with respect to the correctness of information in this document. Copyright by AUDI AG.

**Note:**

*Shown in illustration with seat removed.*

### 3.3 - Removing and installing electrical components with backrest



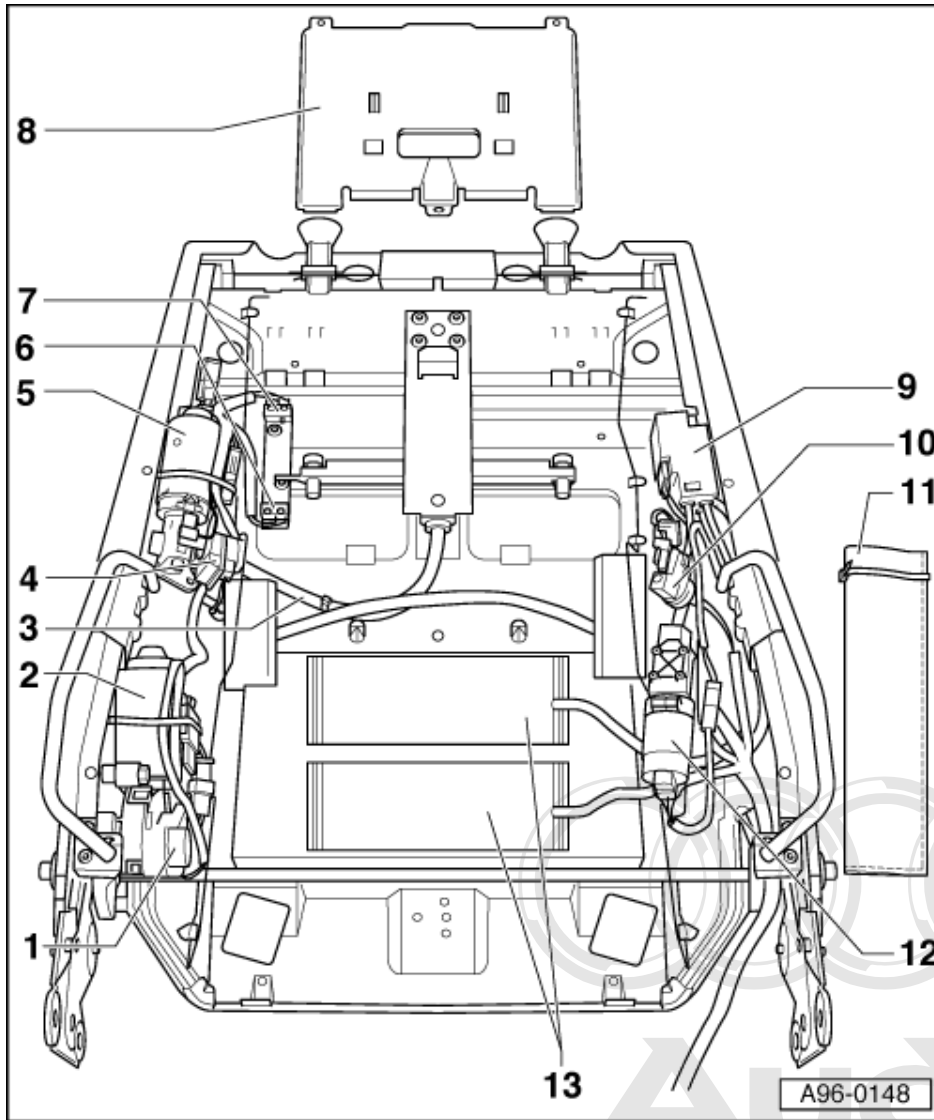
- Remove backrest cover and backrest upholstery => Page 389 .

#### 1 Driver's seat backrest adjustment sender -F86

- ◆ Only fitted in driver's seat
- ◆ Removing and installing  
=>Page 323

#### 2 Driver's seat backrest adjustment motor -V45 Passenger's seat backrest adjustment motor -V46

- ◆ Removing and installing  
=>Page 323
- Reproduction, copying, or using for private or commercial purposes, in part or in whole, is not permitted unless authorised by AUDI AG. AUDI AG does not guarantee or accept any liability with respect to the correctness of information in this document. Copyright by AUDI AG.



**3 Flexible drive shaft**

- ◆ For head restraint adjustment
- ◆ Inserted in motor for head restraint adjustment
- ◆ Attached using two cable ties

Protected by copyright. Copying for private or commercial purposes, in part or in whole, is not permitted unless authorised by AUDI AG. AUDI AG does not guarantee or accept any liability with respect to the correctness of information in this document. Copyright by AUDI AG.

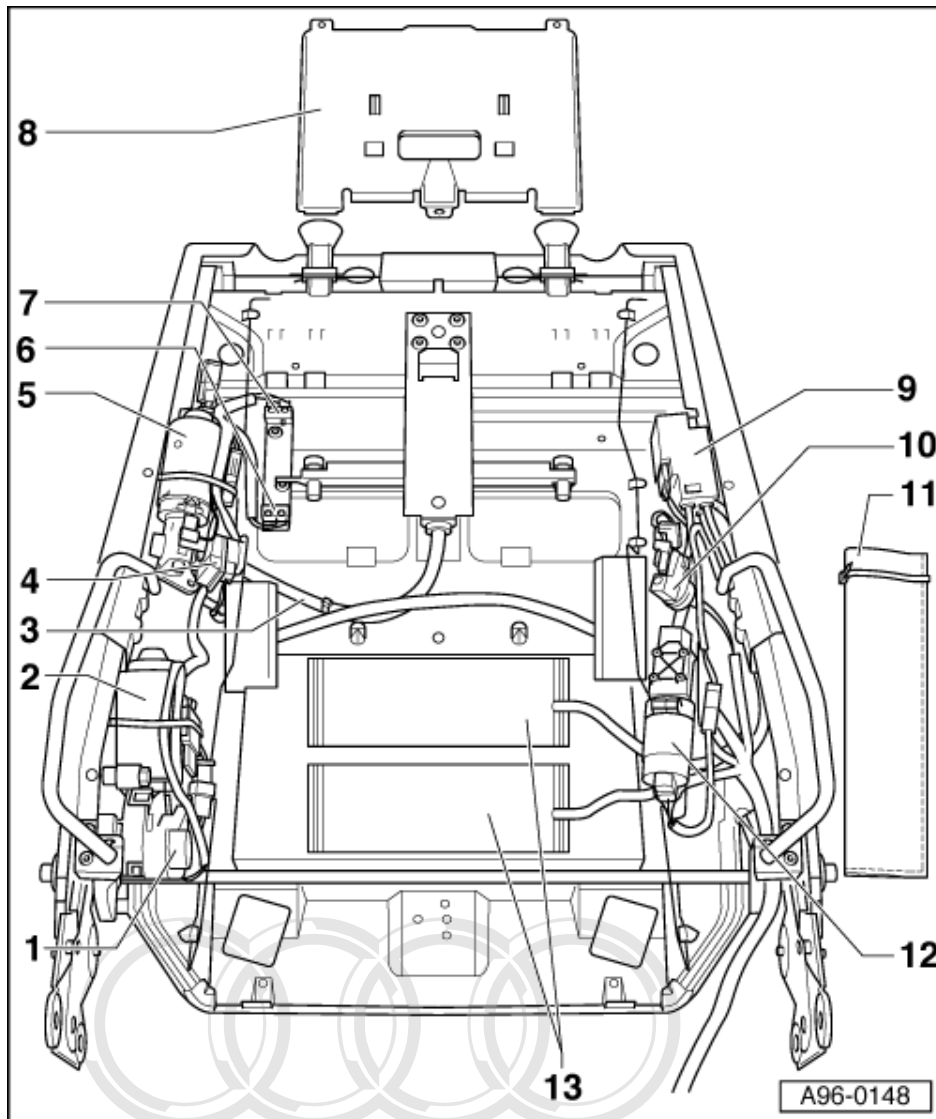
**4 Head restraint adjustment sender -G129**

- ◆ Only fitted in driver's seat
- ◆ Removing and installing  
=>Page 321

**5 Head restraint adjustment motor left -V103  
Head restraint adjustment motor right -V104**

- ◆ Removing and installing  
=>Page 321

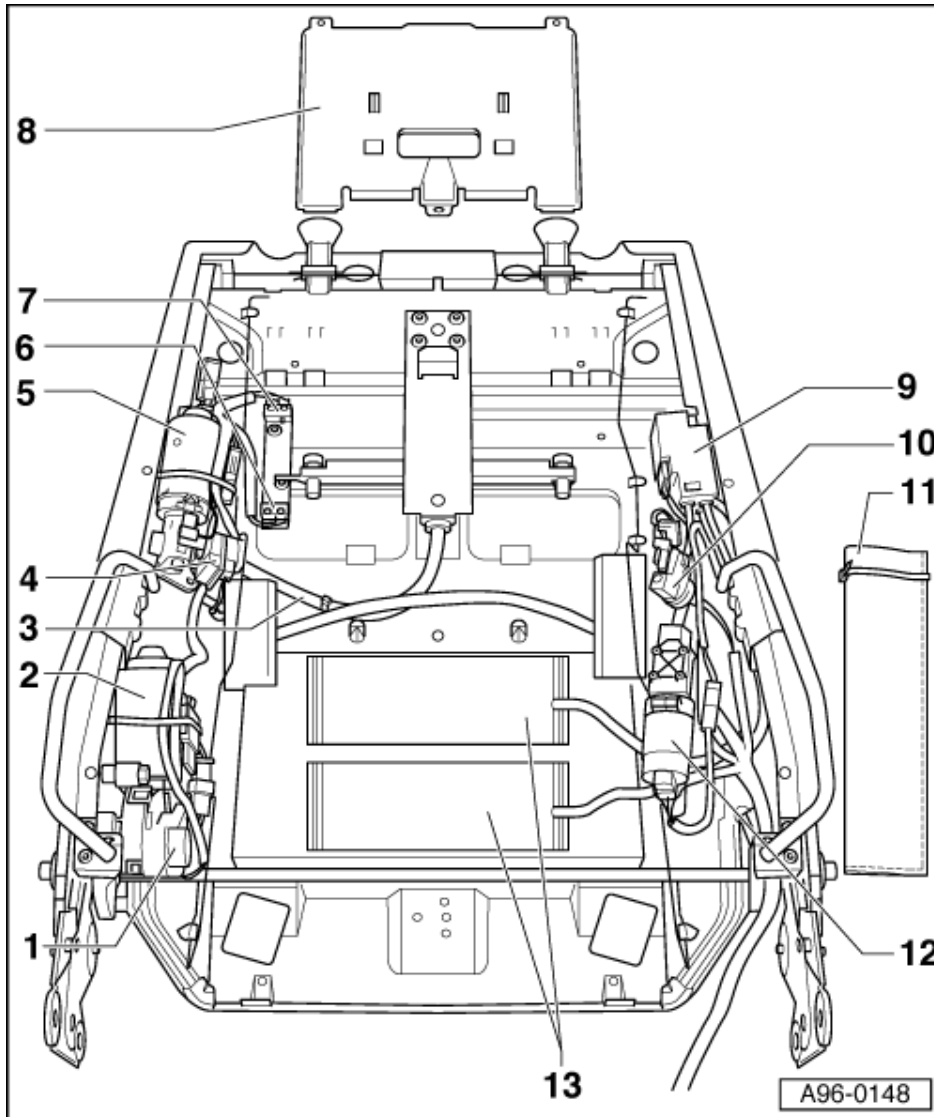




**6 Driver's head restraint downward adjustment limit switch -E196  
Passenger's head restraint downward adjustment limit switch -E197**

- ◆ Replacements only available in combination with upward limit switch -Item **7** -
- ◆ To remove take out cover for head restraint adjustment mechanism -Item **8** -
- ◆ Removing and installing  
=>Page **322**

Protected by copyright. Copying for private or commercial purposes, in part or in whole, is not permitted unless authorised by AUDI AG. AUDI AG does not guarantee or accept any liability with respect to the correctness of information in this document. Copyright by AUDI AG.



**7 Driver's head restraint upward adjustment limit switch -E194  
Passenger's head restraint upward adjustment limit switch -E195**

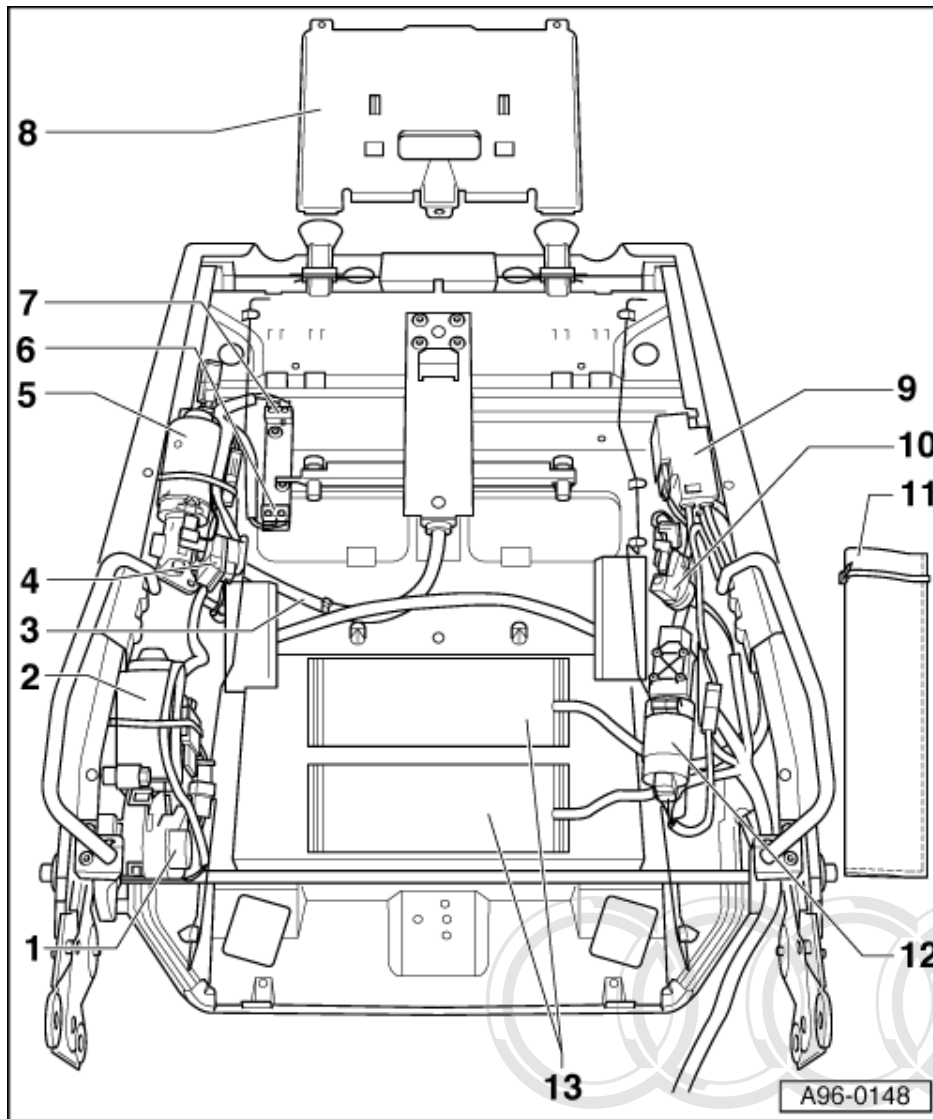
- ◆ Replacements only available in combination with downward limit switch -Item 6 -
- ◆ To remove take out cover for head restraint adjustment mechanism -Item 8 -
- ◆ Removing and installing  
=>Page 322

**8 Cover for head restraint adjustment mechanism**

- ◆ Removing: Drill out rivets and detach cover
- ◆ Installing: Engage cover and rivet on

Audi

Protected by copyright. Copying for private or commercial purposes, in part or in whole, is not permitted unless authorised by AUDI AG. AUDI AG does not guarantee or accept any liability with respect to the correctness of information in this document. Copyright by AUDI AG.



**9 Valve block for driver's lumbar support adjustment mechanism -N209**  
**Valve block for passenger's lumbar support adjustment mechanism -N210**

- ◆ Removing and installing=>Page **323**

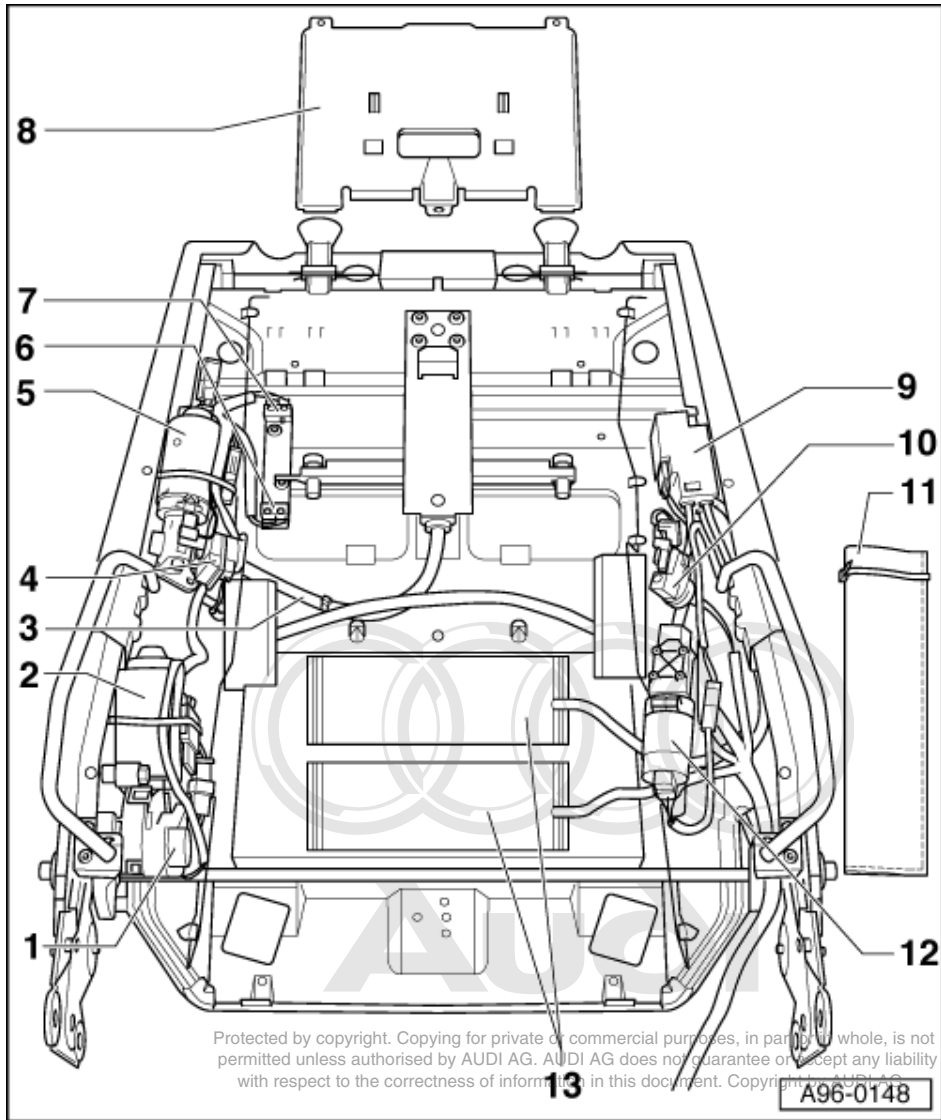
**10 Pressure switch for driver's lumbar support adjustment mechanism -F224**  
**Pressure switch for passenger's lumbar support adjustment mechanism -F225**

- ◆ Inserted in protective case -Item **11**
- ◆ Removing and installing =>Page **323**

Protected by copyright. Copying for private or commercial purposes, in part or in whole, is not permitted unless authorised by AUDI AG. AUDI AG does not guarantee or accept any liability with respect to the correctness of information in this document. Copyright by AUDI AG.

**11 Protective case**

- ◆ For pressure switch and pump for lumbar support adjustment mechanism
- ◆ Attached with double-sided adhesive tape to backrest frame
- ◆ Sealed with cable tie



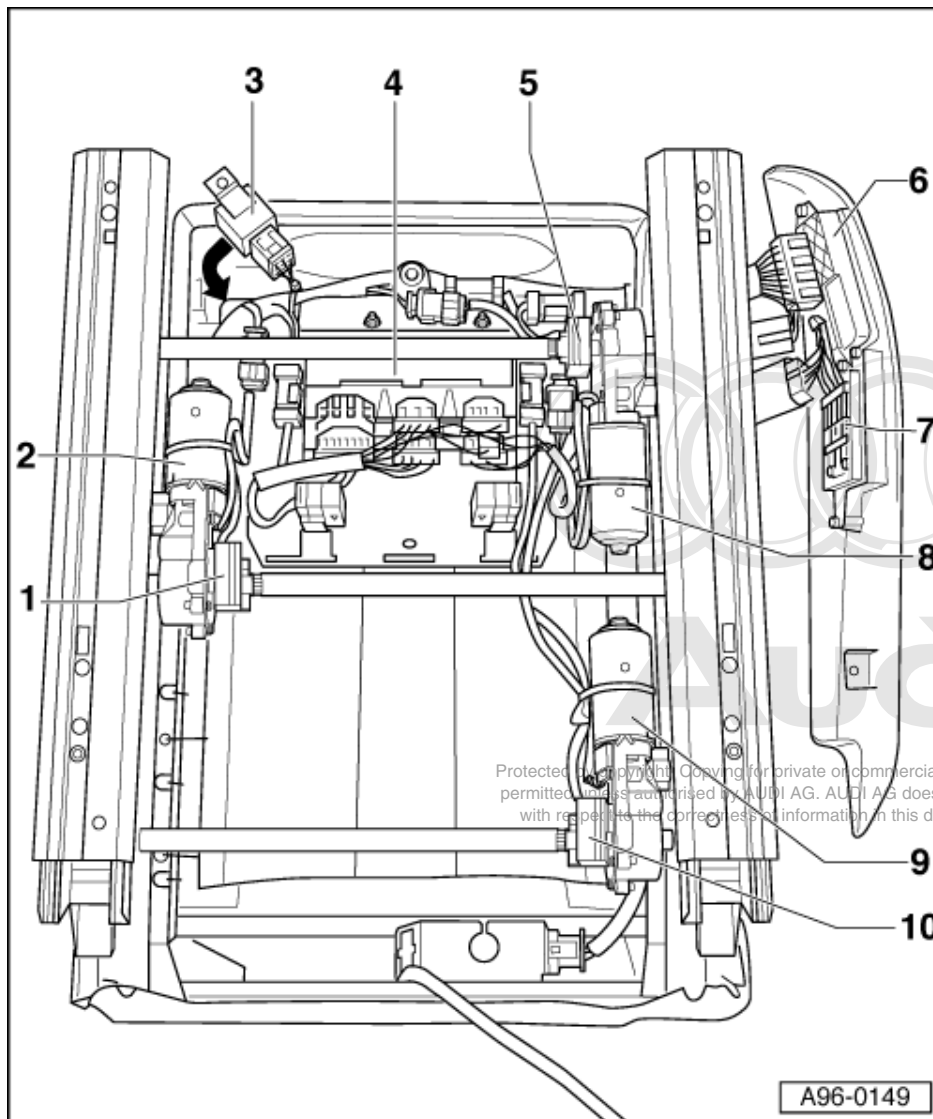
**12 Pump for driver's lumbar support adjustment mechanism -V152**  
**Pump for passenger's lumbar support adjustment mechanism -V153**

- ◆ Inserted in protective case -Item 11 -
- ◆ Removing and installing  
 =>Page 323

**13 Air cushion for lumbar support adjustment mechanism**

- ◆ Attached on underside with double-sided adhesive tape

### 3.4 - Removing and installing electrical components in seat frame



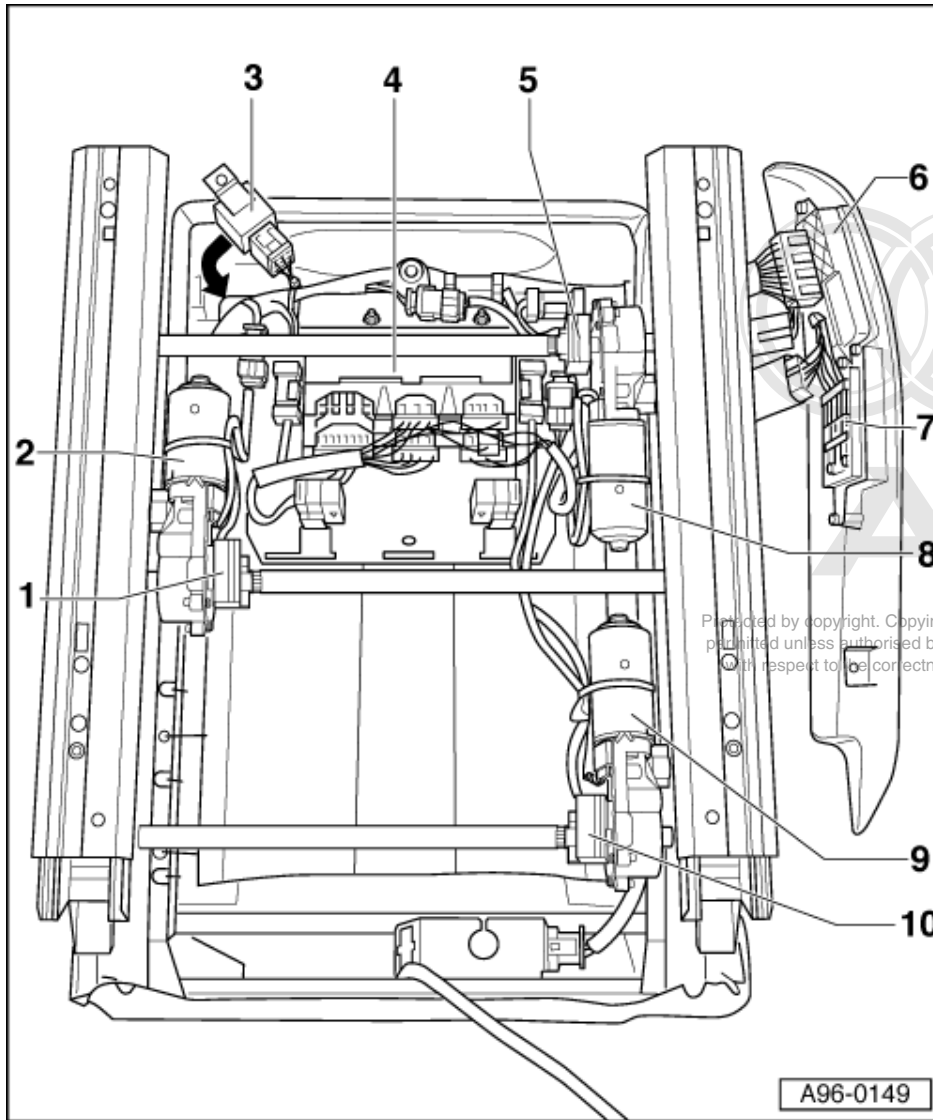
- Remove seat cover and seat upholstery => Page 382 .

#### 1 Driver's seat longitudinal adjustment sender -F83

- ◆ Only fitted in driver's seat
- ◆ Removing and installing  
=>Page 324

#### 2 Driver's seat longitudinal adjustment motor -V28 Passenger's seat longitudinal adjustment motor -V31

- ◆ Removing and installing  
=>Page 324
- ◆ Moving seat mechanically forwards and backwards to remove if motor defective Page 310



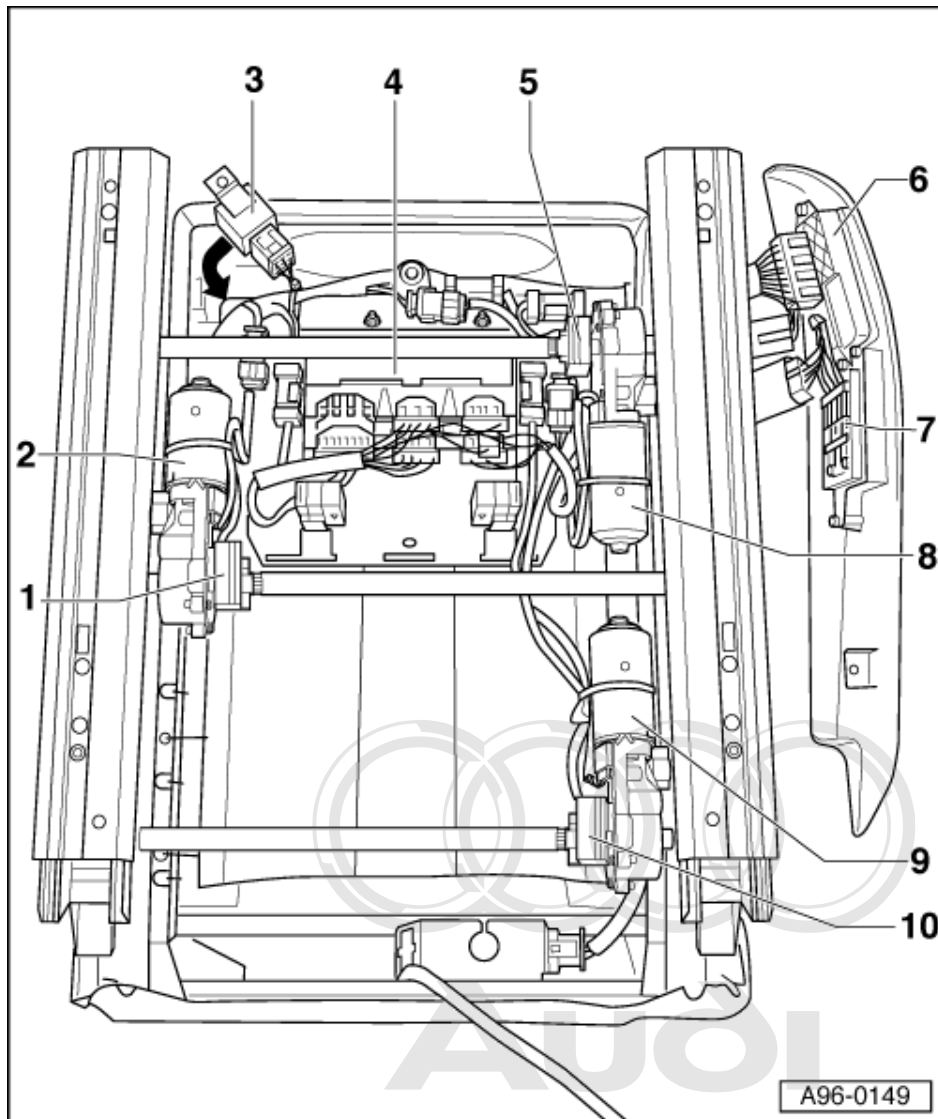
Protected by copyright. Copying for private or commercial purposes, in part or in whole, is not permitted unless authorised by AUDI AG. AUDI AG does not guarantee or accept any liability with respect to the correctness of information in this document. Copyright by AUDI AG.

**3 Seat adjustment current supply relay -J137**

- ◆ Shown removed
- ◆ Fitting location: Beneath retaining plate for control unit -arrow-
- ◆ Removing and installing  
=>Page 326

**4 Control unit for seat adjustment with memory -J136**

- ◆ Only fitted in driver's seat
- ◆ Removing and installing  
=>Page 327
- ◆ Plug colours are marked on control unit plug panels

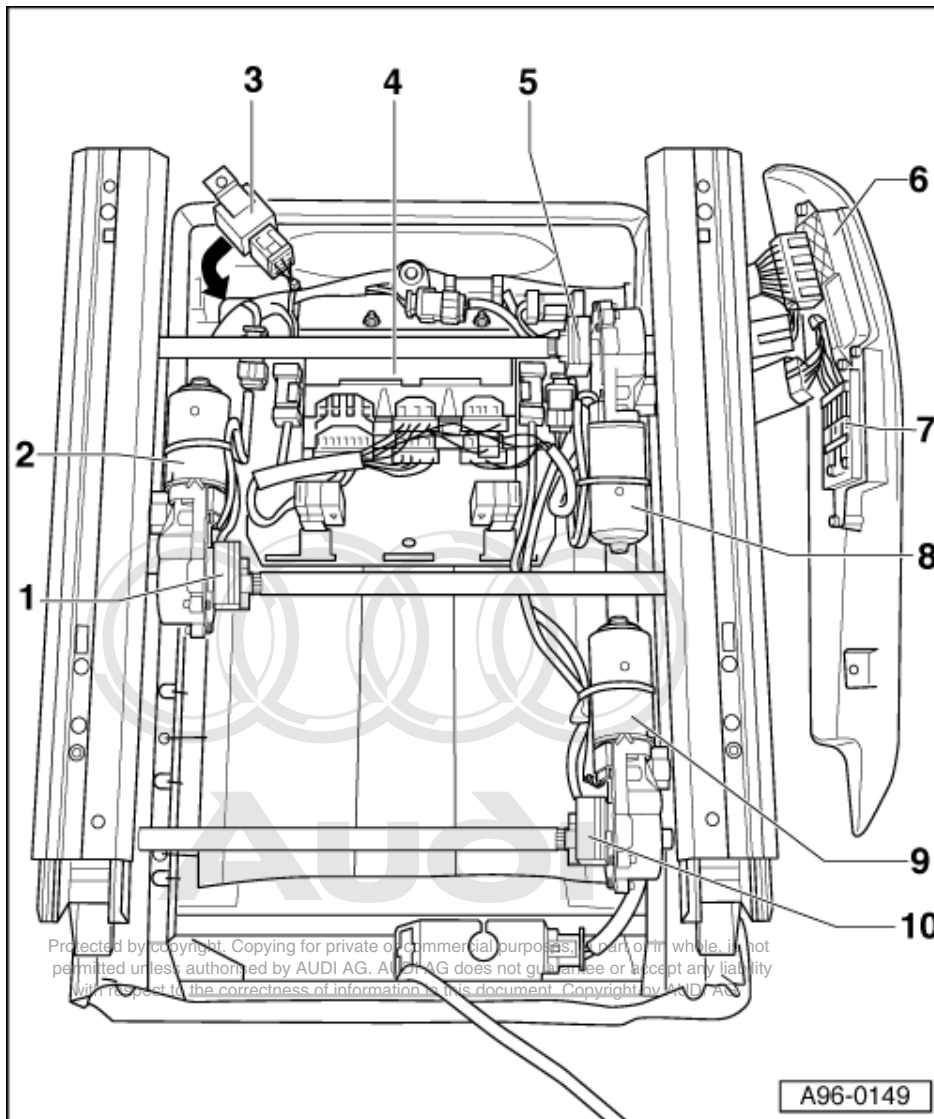


**5 Driver's seat front height adjustment sender -F84**

- ◆ Only fitted in driver's seat
- ◆ Removing and installing  
=>Page 324

**6 Driver's seat unit switch**

- ◆ Longitudinal adjustment switch -E61
- ◆ Front height adjustment switch -E62
- ◆ Rear height adjustment switch -E63
- ◆ Backrest adjustment switch -E96
- ◆ Head restraint adjustment switch -E155
- ◆ Removing and installing  
=>Page 328



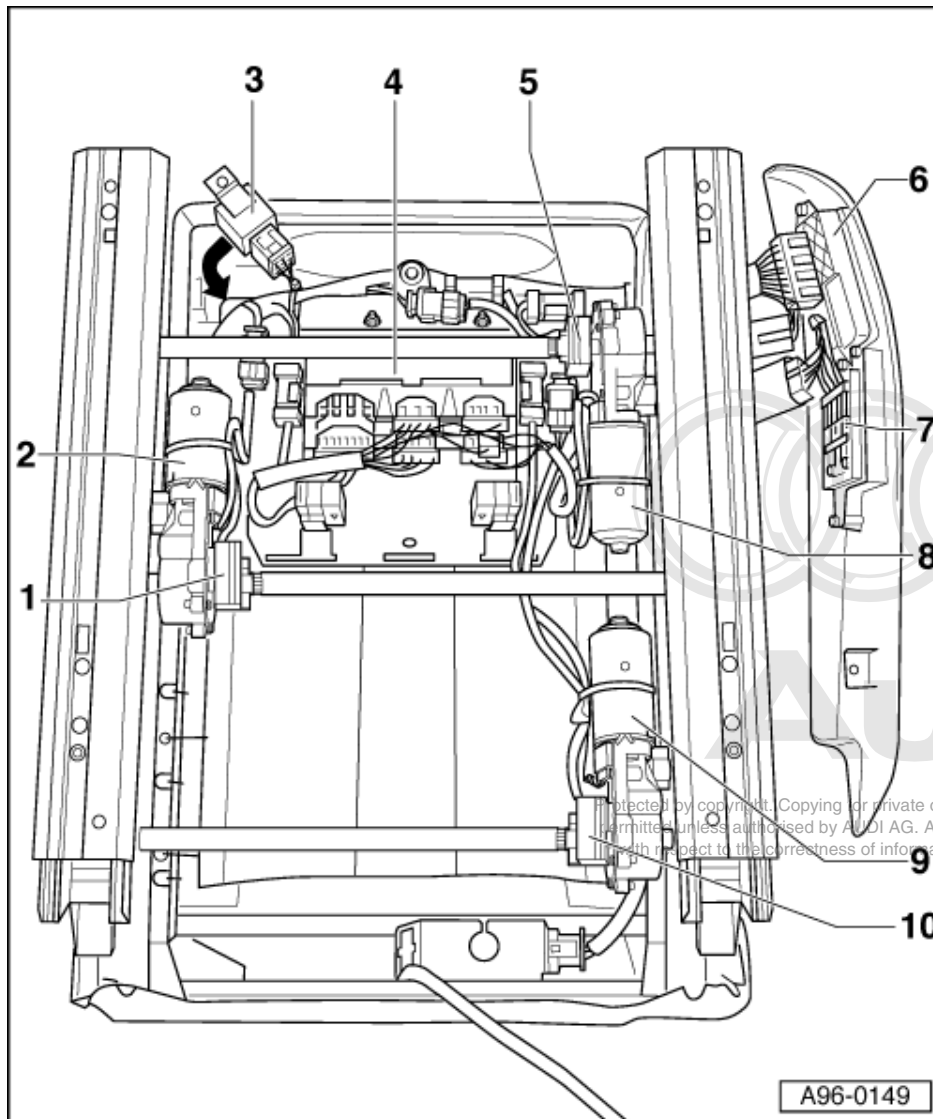
**6 - Passenger's seat switch unit**

- ◆ Longitudinal adjustment switch -E64
- ◆ Front height adjustment switch -E65
- ◆ Rear height adjustment switch -E66
- ◆ Backrest adjustment switch -E98
- ◆ Head restraint adjustment switch -E170
- ◆ Removing and installing  
=>Page **328**

**7 Memory operating unit -E97**

- ◆ Removing and installing  
=>Page **328**





**8 Driver's seat front height adjustment motor -V29  
Passenger's seat front height adjustment motor -V32**

- ◆ Removing and installing  
=>Page 324

**9 Driver's seat rear height adjustment motor -V30  
Passenger's seat rear height adjustment motor -V33**

- ◆ Removing and installing  
=>Page 324

**10 Driver's seat rear height adjustment sender -F85**

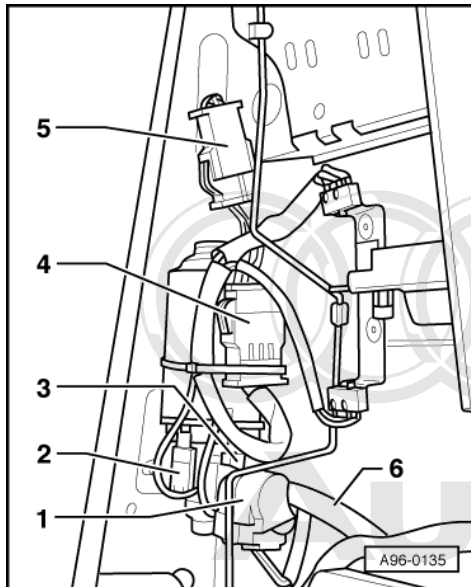
- ◆ Only fitted in driver's seat
- ◆ Removing and installing  
=>Page 324

### 3.5 - Removing and installing motor and sender for head restraint adjustment

- Seat removed
- Backrest cover and backrest upholstery detached.

### Removing

- Screw out 3 hexagon bolts of motor for head restraint adjustment at backrest frame.



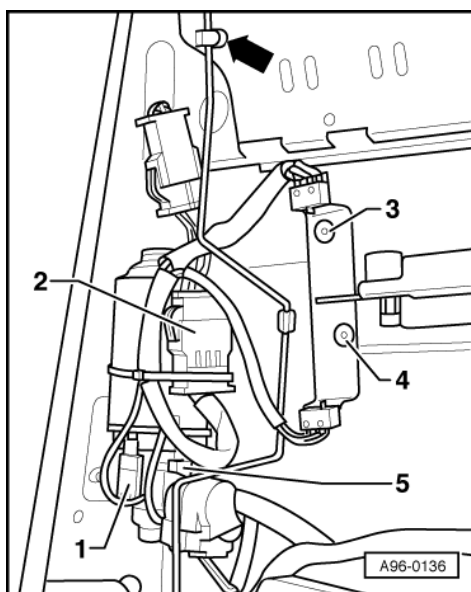
- -> Detach flexible shaft -6- from motor.
- Cut open cable ties and detach connectors -2- 5-
- Unclip sender for head restraint adjustment -Item 1- from motor.
- Screw retaining bracket off motor.

### Installing

- Clip sender for head restraint adjustment to motor.
- Screw (6 Nm) retaining bracket to motor/seat backrest.

## 3.6 - Removing and installing limit switch for head restraint adjustment

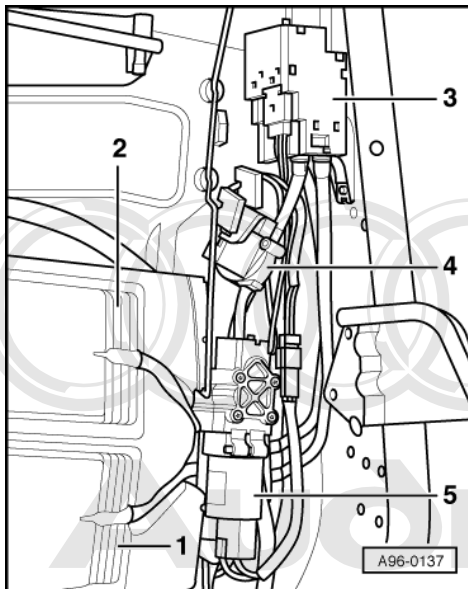
- Seat removed
- Backrest cover and backrest upholstery detached.
- Drill out 2 rivets at cover for head restraint adjustment mechanism and detach cover.



- -> Drill out the 2 rivets -3- and -4-.
- Detach retaining bracket for limit switch for head restraint adjustment.
- Detach wire clip for backrest upholstery at upper tab -arrow-.
- Cut open cable ties and detach connectors -1-, -2- and -5-.

### 3.7 - Removing and installing pump, pressure switch and valve block for lumbar support adjustment

- Seat removed
- Backrest cover and backrest upholstery detached.
- Cut open cable tie at protective case detach protective case from backrest frame (double-sided adhesive tape) and remove.



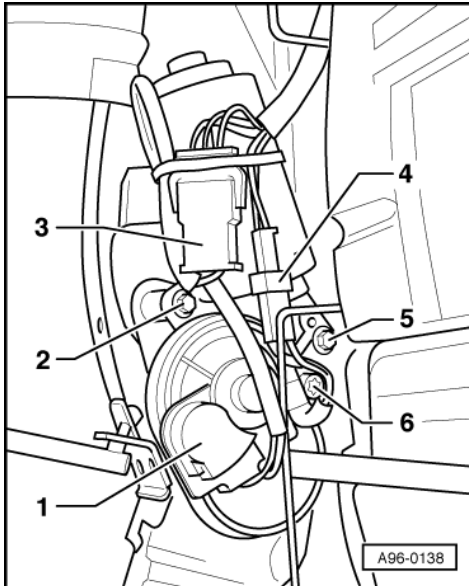
- Protected by copyright. All rights reserved. No part of this document may be reproduced, stored in a retrieval system, or transmitted in any form or by any means, electronic, mechanical, photocopying, recording, or by any information storage and retrieval system, without the prior written permission of Audi AG.
- > Unscrew valve block for lumbar support adjustment -3- from backrest frame.  
Carefully unfasten air cushions -1- and -2- from polystyrene panel (double-sided adhesive tape).  
Detach connectors to pump for lumbar support adjustment -5- to pressure switch for lumbar support adjustment -4- and to valve block -3- for lumbar support adjustment.
- Disconnect appropriate hoses.

### 3.8 - Removing and installing motor and sender for backrest adjustment

- Seat removed
- Backrest cover and backrest upholstery detached

#### Removing

- Cut open cable tie.



- -> Screw out the two bolts -2- and -5- for motor for backrest adjustment.
- Detach connectors -3- and -4-.
- Screw out bolt -6-.
- Unclip sender for backrest adjustment -Item 1-.

#### Installing

- Screw on motor for backrest adjustment to 10 Nm.

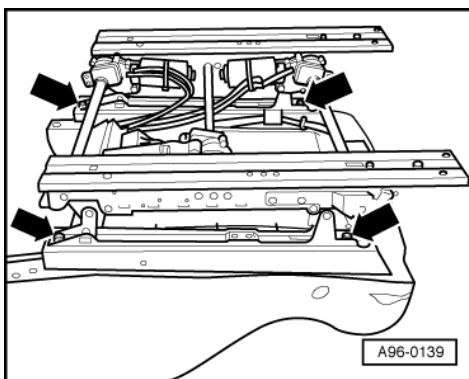
### 3.9 - Removing and installing motors and senders for height/longitudinal adjustment

- Front and rear seat height adjustment mechanism moved to highest position.
- Seat removed

#### Notes:

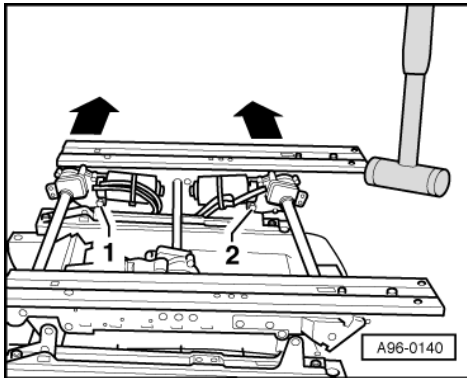
- ♦ Moving seat mechanically forwards and backwards to remove in the event of defective longitudinal adjustment mechanism => Page 310 .
- ♦ After removing seat raising can be achieved by connecting height adjustment motors directly to a voltage source. Connector to motor must be detached.
- ♦ Voltage must not be applied to control unit for seat adjustment with memory.
- ♦ If seat cannot be raised due to defective height adjustment motor, cut through appropriate drive shaft with cut-off grinder (remove cover seat when doing so) and remove motor. Replace drive shaft that has been cut.

#### Removing



- -> Unscrew the 4 bolts -arrows- for seat bracket.

- Detach bracket to seat frame.

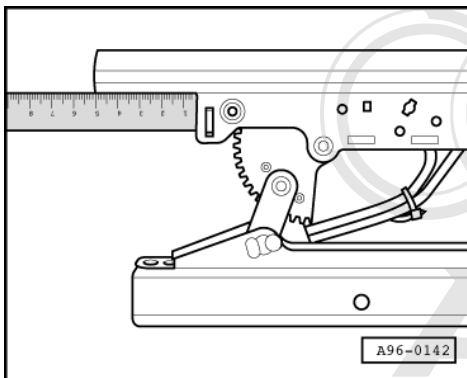


- -> Screw out nuts -1- and -2- at motors for front/rear height adjustment.
- Cut open cable tie.
- Detach connectors.
- Use plastic-headed hammer to drive runner outwards -arrows- on height adjustment motor side.
- Pull motor for front/rear height adjustment off drive shaft.
- Press sender for front/rear height adjustment out of clamp at motor.
- Detach motor for longitudinal adjustment.
- Detach connectors.
- Detach drive shaft and pull motor for longitudinal adjustment off drive shaft.
- Press sender for longitudinal adjustment out of clamp at motor.

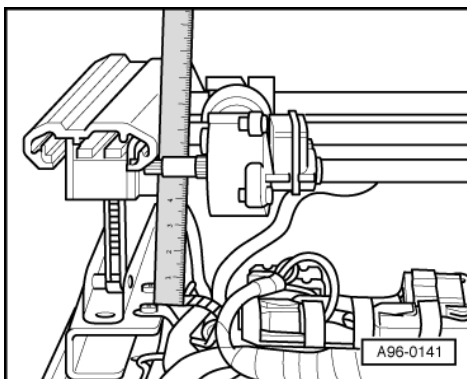
### Installing

**Note:**

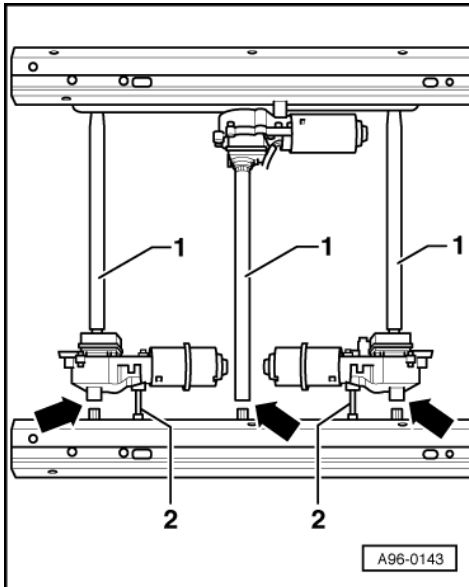
*Ensure that the two runners are parallel.*



- Refer to installation position (lug) when fitting new sender.
- Attach motor with drive shaft for longitudinal adjustment at runner.
- -> Measure fore-and-aft setting of runner on motor side and adjust opposite runner to same dimension.



- Attach motor for front and rear height adjustment to drive shafts.
- Position both runners on seat frame and insert guide lugs into holes at seat frame.
- -> Measure height adjustment setting at front and rear of one runner and adjust opposite runner to same dimensions.

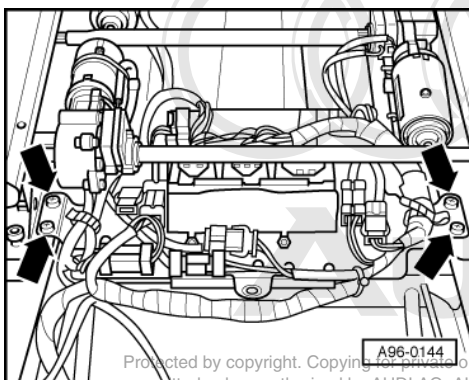


- -> Attach runner to drive shafts -1- in this position and at the same time insert motor securing pins -2-.
- Measure parallel adjustment again.
- Screw runner to seat frame to 20 Nm.
- Screw on motor for longitudinal adjustment to 10 Nm.
- Screw on (6 Nm) height adjustment motors.

**Note:**

*Synchronisation of sender for longitudinal adjustment/height adjustment senders involves completely traversing entire fore-and-aft, front height and rear height adjustment range.*

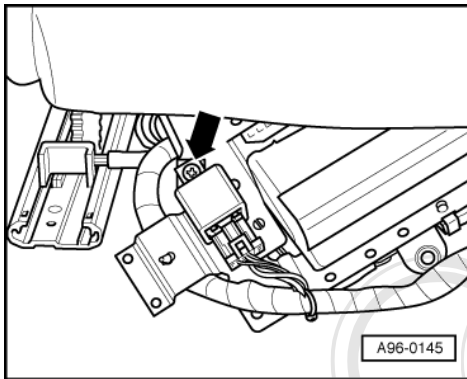
### 3.10 - Removing and installing power supply relay for seat adjustment



- **Seat removed**

#### Removing

- -> Remove the 4 cross-head screws -arrows- for retaining plate.
- Pull retaining plate forwards.



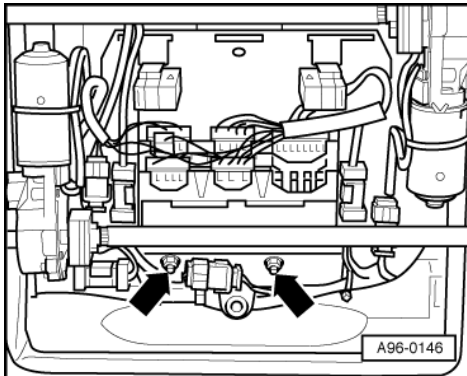
- Detach the connector.
- -> Screw out cross-head screw -arrow- and detach power supply relay for seat adjustment.

### Installing

- Screw (4.5 Nm) relay to retaining plate.

### 3.11 - Removing and installing control unit for seat adjustment in car with memory

- Front and rear seat height adjustment mechanism moved to highest position
- Seat removed

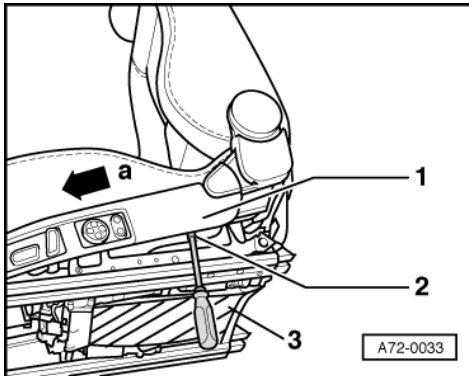


- -> Screw out nuts -arrows- several turns.
- Pull control unit for seat adjustment with memory out of holder.
- Detach the connectors.

#### **Note:**

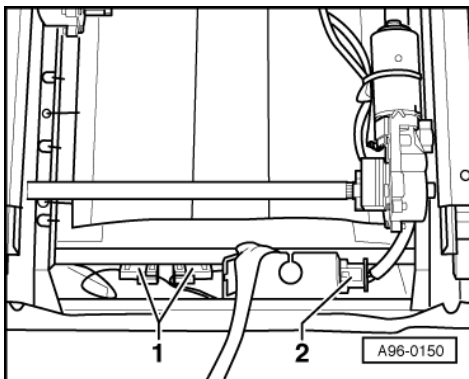
*Plug colours are marked on control unit plug panels.*

### 3.12 - Removing and installing seat switch

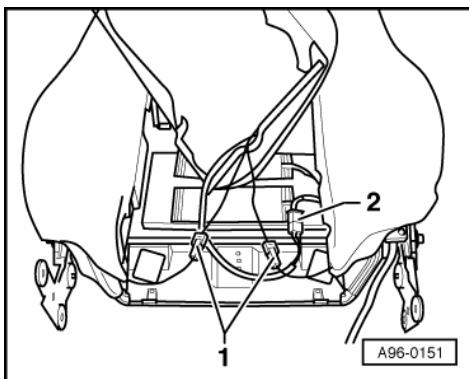


- Seat removed
- -> Screw out the two bolts -2- on the underside of trim -1-.
- Pull trim off retaining pins in direction of arrow -a-.
- Unscrew switch from trim.
- Detach the connectors.

### 3.13 - Installation position of seat heating connectors



- 1 - -> Connectors -T1aa and -T1ac  
(driver's seat)  
Connectors -T1ag and -T1ai  
(passenger's seat)
- 2 - Connector -T6r  
(driver's seat)  
Connector -T6s  
(passenger's seat)



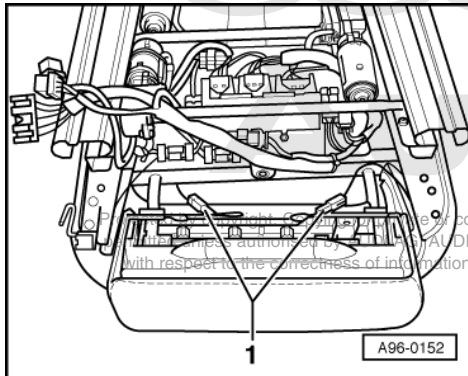
Protected by copyright. Copying for private or commercial purposes, in part or in whole, is not permitted unless authorised by AUDI AG. AUDI AG does not guarantee or accept any liability with respect to the correctness of information in this document. Copyright by AUDI AG.



- 1 - -> Connectors -T1ae and -T1af  
(passenger's seat)
- 2 - Connector -T3ac  
(driver's seat)
- Connector -T6ad  
(passenger's seat)

**Note:**

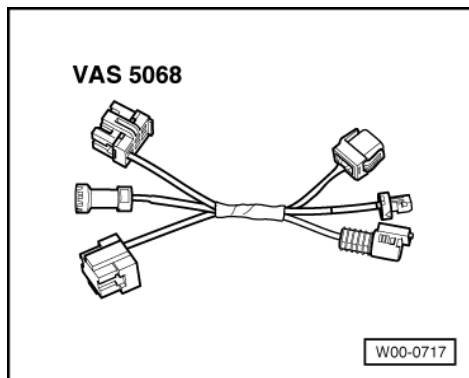
*Fig. shows rear view of removed backrest centre upholstery.*



- 1 - -> Connectors -T1ab and -T1ad  
(driver's seat)
- Connectors -T1ah and -T1ak  
(passenger's seat)

## 4 - Rear seats

### 4.1 - Rear seats

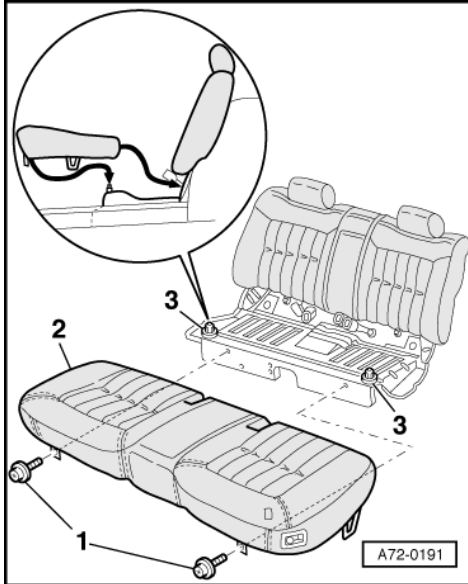


#### Special tools, testers and auxiliary items required

- ◆ VAS 5068

## 4.2 - Removing and installing rear bench seat

### Removing



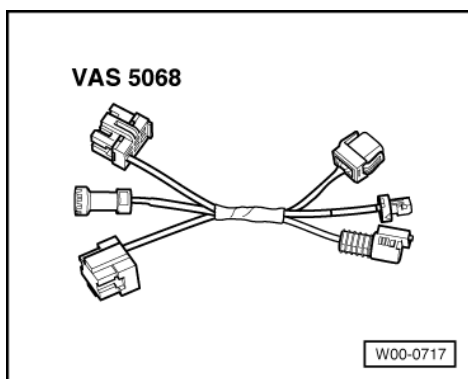
- -> Screw out (8 Nm) bolts -1-.
- Lift rear bench seat -2- slightly and take it out frontward.
- Detach connectors.

### Installing

Installation is carried out in the reverse order; note the following:

- Fix rear bench seat into position with guide clips -3-.

## 4.3 - Removing and installing rear seat backrest



### Special tools, testers and auxiliary items required

- ◆ VAS 5068

Protected by copyright. Copying for private or commercial purposes, in part or in whole, is not permitted unless authorised by AUDI AG. AUDI AG does not guarantee or accept any liability with respect to the correctness of information in this document. Copyright by AUDI AG.

## Removing

- Remove rear bench seat => Page 330 .

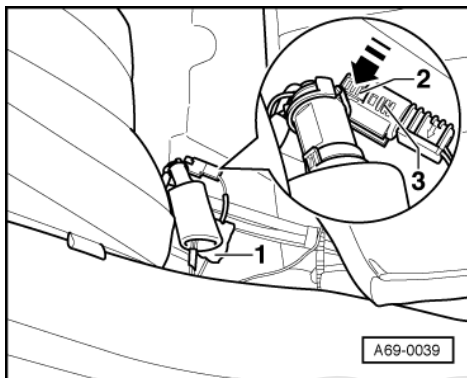
### Vehicles with side airbag:

Important  
Observe safety precautions for working on airbag =>

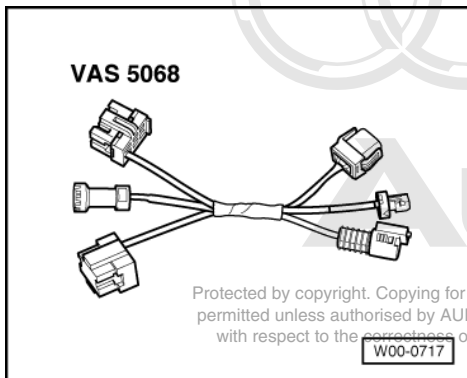
- Refer to coding on vehicles with encoded radio/radio navigation system (RNS); if necessary, interrogate.
- Detach battery earthing strap/cable and cover negative terminal.

### Note:

*The mechanic must electrostatically discharge him/herself before separating igniter and earth wiring (briefly touch closing wedge for door or body).*

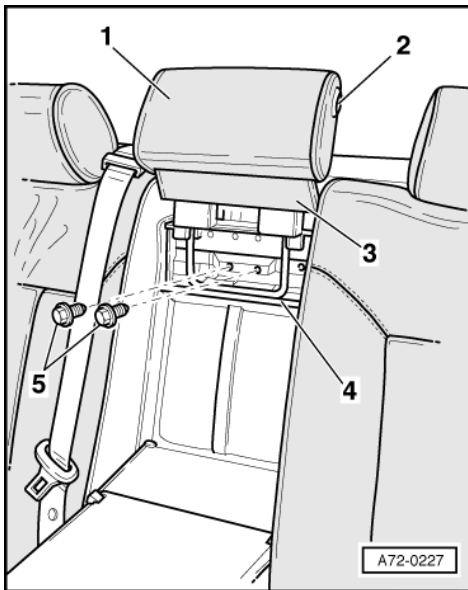


- -> Push back foam conduit -1- of connector on left and right at C-pillar.
- Press catch -2- and detach connector -3- for side airbag.



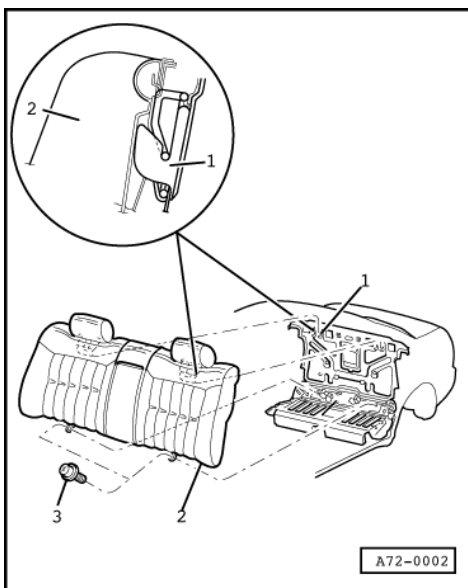
- -> Attach airbag connector of seat to mating piece on adapter VAS 5068 on left and right.
- Connect appropriate coupling on VAS 5058 to any connector on seat.
- Airbag wire is now connected to seat "earth" and seat can be removed.

Vehicles with third head restraint:



- Extend centre head restraint -1-.
- Fold down centre armrest and open cover of ski bag.
- Unclip roller blind-3- at bottom at strip -4-.
- -> Screw out (8 Nm) bolts -5-.
- Press button -2- to retract centre head restraint

All models:



- -> Screw out (8 Nm) bolts -3-.
- Lift rear seat backrest -2- out of holders -1-.
- Detach connectors.

**Note:**

*Removal of rear seat backrest does not involve taking out head restraints.*



Protected by copyright. Copying for private or commercial purposes, in part or in whole, is not permitted unless authorised by AUDI AG. AUDI AG does not guarantee or accept any liability with respect to the correctness of information in this document. Copyright by AUDI AG.

## Installing

Installation is carried out in the reverse order; note the following:

### Vehicles with side airbag:

- Switch the ignition on.

#### Important

There must be no-one in the vehicle when the battery is being connected.

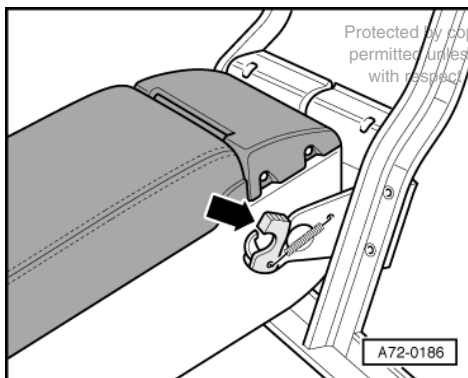
- Connect battery.

## 4.4 - Removing and installing head restraint and head restraint guides

### Note:

Removal and installation of rear head restraints involves the same procedure as for the front head restraints  
=> from Page 293.

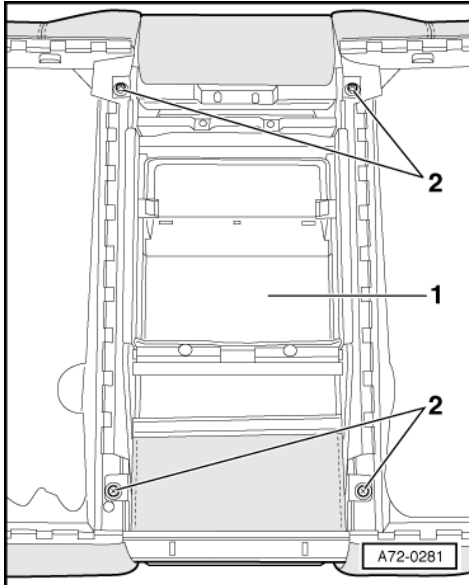
## 4.5 - Removing and installing rear seat armrest



- Fold armrest forwards.
- -> Press back catch on either side of armrest in direction of arrow and detach armrest.

## 4.6 - Centre part for back rest with third head restraint

### Removing and installing centre section



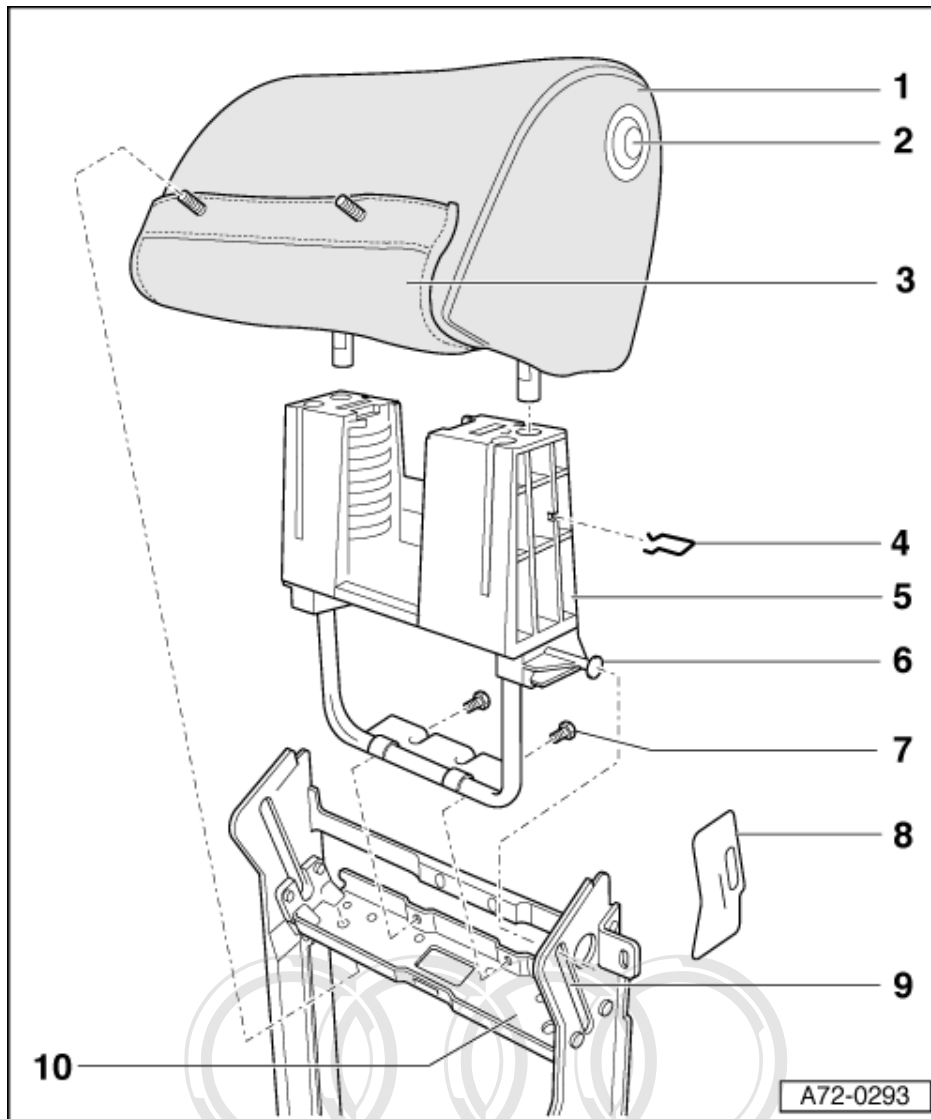
Protected by copyright. Copying for private or commercial purposes, in part or in whole, is not permitted unless authorised by AUDI AG. AUDI AG does not guarantee or accept any liability with respect to the correctness of information in this document. Copyright by AUDI AG.

#### ◆ Removing

- Remove rear seat backrest => Page 330
- -> Unscrew bolts -2- (4x).
- Push centre part -1- upwards and remove.

#### ◆ Installing

- Installation is in reverse order.

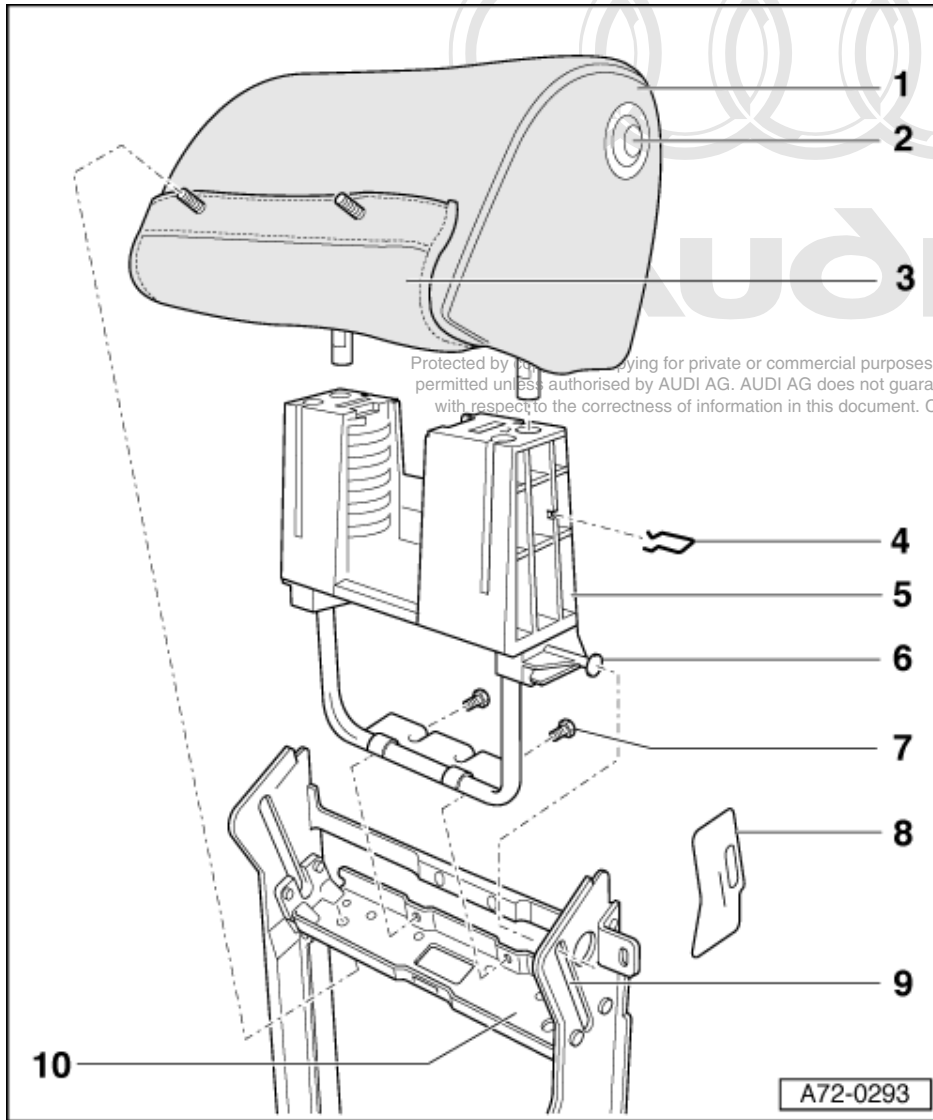


### Removing and installing third head restraint

#### 1 Head restraint

##### ◆ Removing

- Remove rear seat backrest => Page 330.
- Press button -2- (2x) and pull head restraint -1- upwards until it engages.
- Unclip roller blind -3- at bottom at cross piece -10-.
- Remove omega clip -4- (2x) and remove head restraint -1- upwards.
- Remove plastic protection -8- (2x).



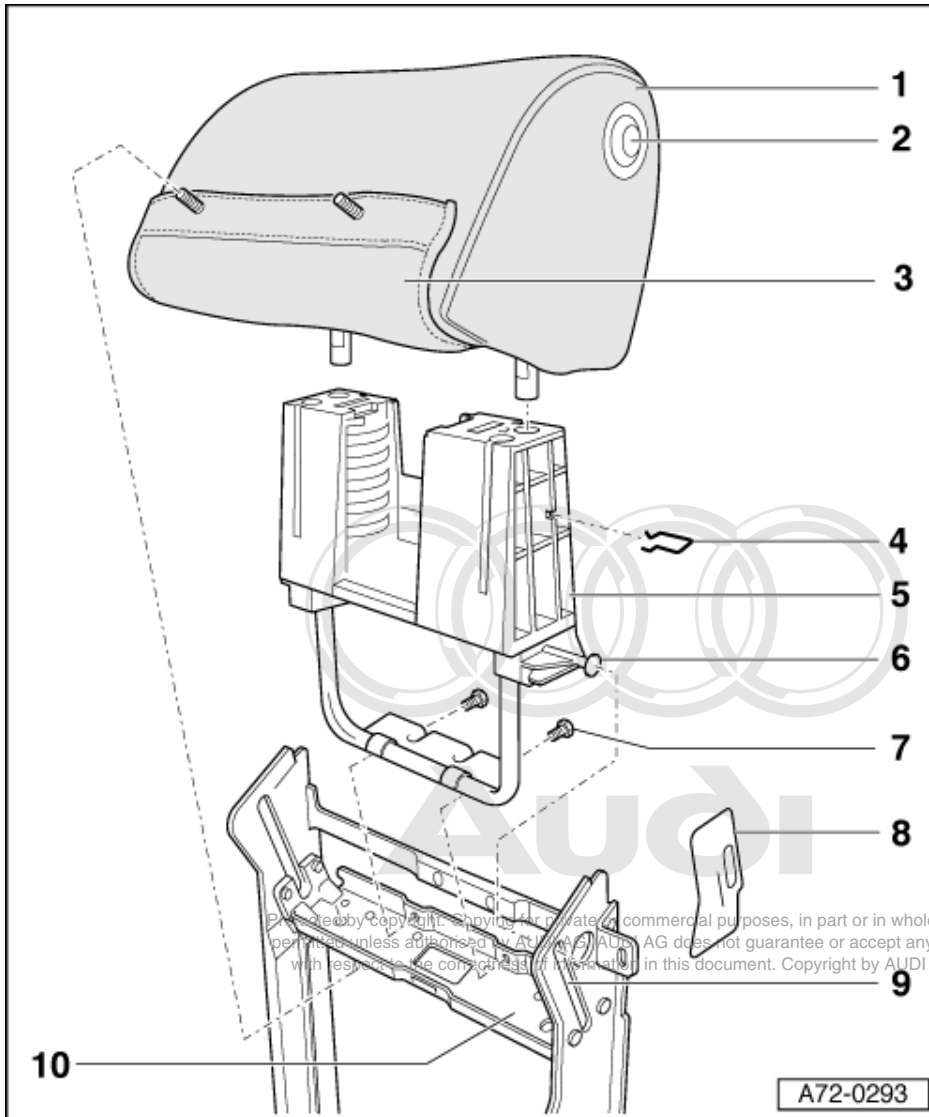
Protected by copyright. Copying for private or commercial purposes, in part or in whole, is not permitted unless authorised by AUDI AG. AUDI AG does not guarantee or accept any liability with respect to the correctness of information in this document. Copyright by AUDI AG.

- Unscrew bolts -7- (2x) from back of cross piece -10-.
- Tilt head restraint frame -5- forward and guide pin -6- (2x) out of guide -9- (2x).

◆ Installing

- Make sure when installing the omega clip -4- (2x) that the end with the stronger tilt points towards the back of the head restraint.
- Installation is in reverse order.
- Check function after installation. The head restraint must engage.

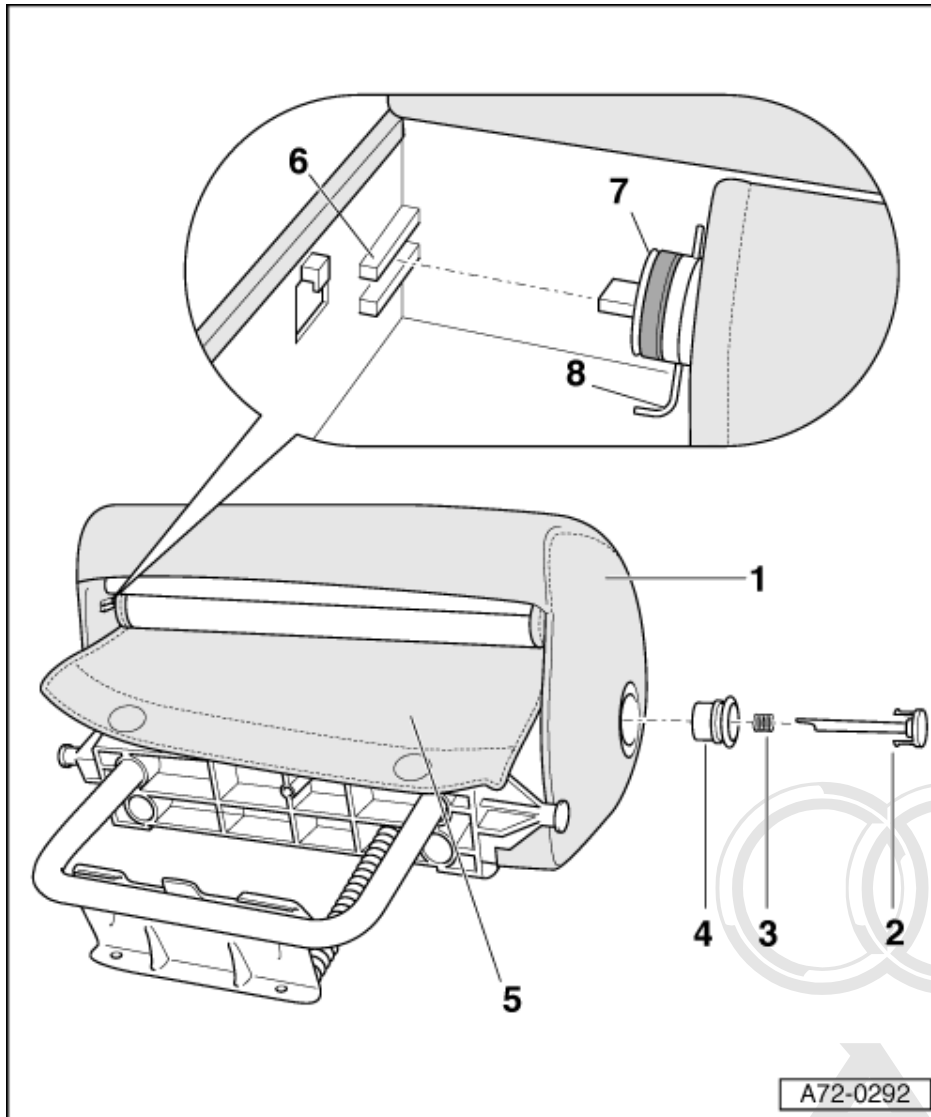




Protected by copyright. Copying for private or commercial purposes, in part or in whole, is not permitted unless authorized by AUDI AG. AUDI AG does not guarantee or accept any liability with respect to the correctness of instructions in this document. Copyright by AUDI AG.

- 2 Button, head restraint (2x)
- 3 Roller blind
- 4 Omega clip (2x)
- 5 Head restraint frame
- 6 Guide pin (2x)
- 7 Bolts (2x)
- 8 Plastic protection (2x)
- 9 Guide (2x)
- 10 Cross member

A72-0293



### Removing and installing button for head restraint

**Note:**

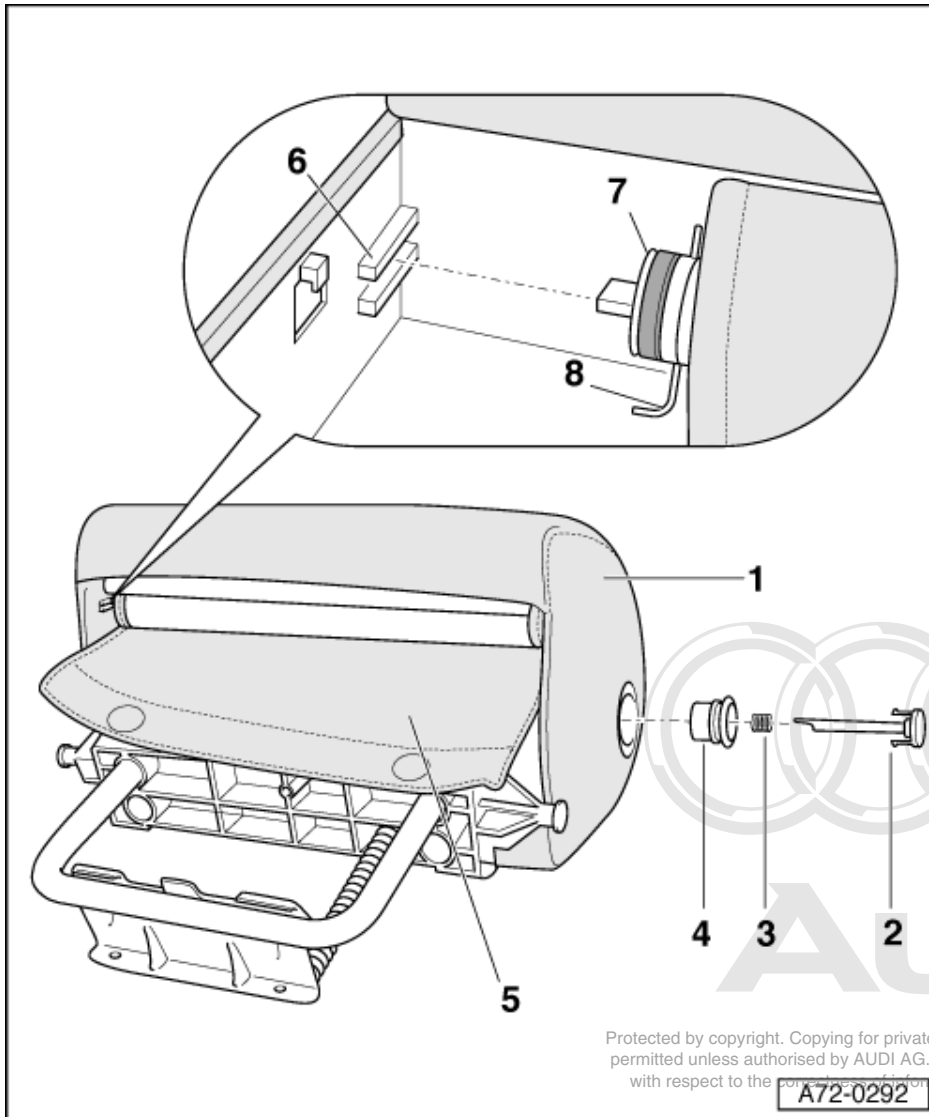
- ◆ For better illustration the head restraint is shown with frame removed.
- ◆ It is not possible to remove the buttons without damaging them.

- 1 Head restraint
- 2 Button (2x)

◆ Removing

- Press button -2- (2x) and pull head restraint -1- upwards until it engages.
- Carefully lever out button -2- (2x) using a flat pen.
- Remove button -2- (2x) and spring -3- (2x).

Protected by copyright. Copying for private or commercial purposes, in part or in whole, is not permitted unless authorised by AUDI AG. AUDI AG does not guarantee or accept any liability with respect to the correctness of information in this document. Copyright by AUDI AG.



Protected by copyright. Copying for private or commercial purposes, in part or in whole, is not permitted unless authorised by AUDI AG. AUDI AG does not guarantee or accept any liability with respect to the correctness of information in this document. Copyright by AUDI AG.

A72-0292

◆ Installing

- Installation is in reverse order.

**3 Springs (2x)**

**Removing and installing button guide of head restraint**

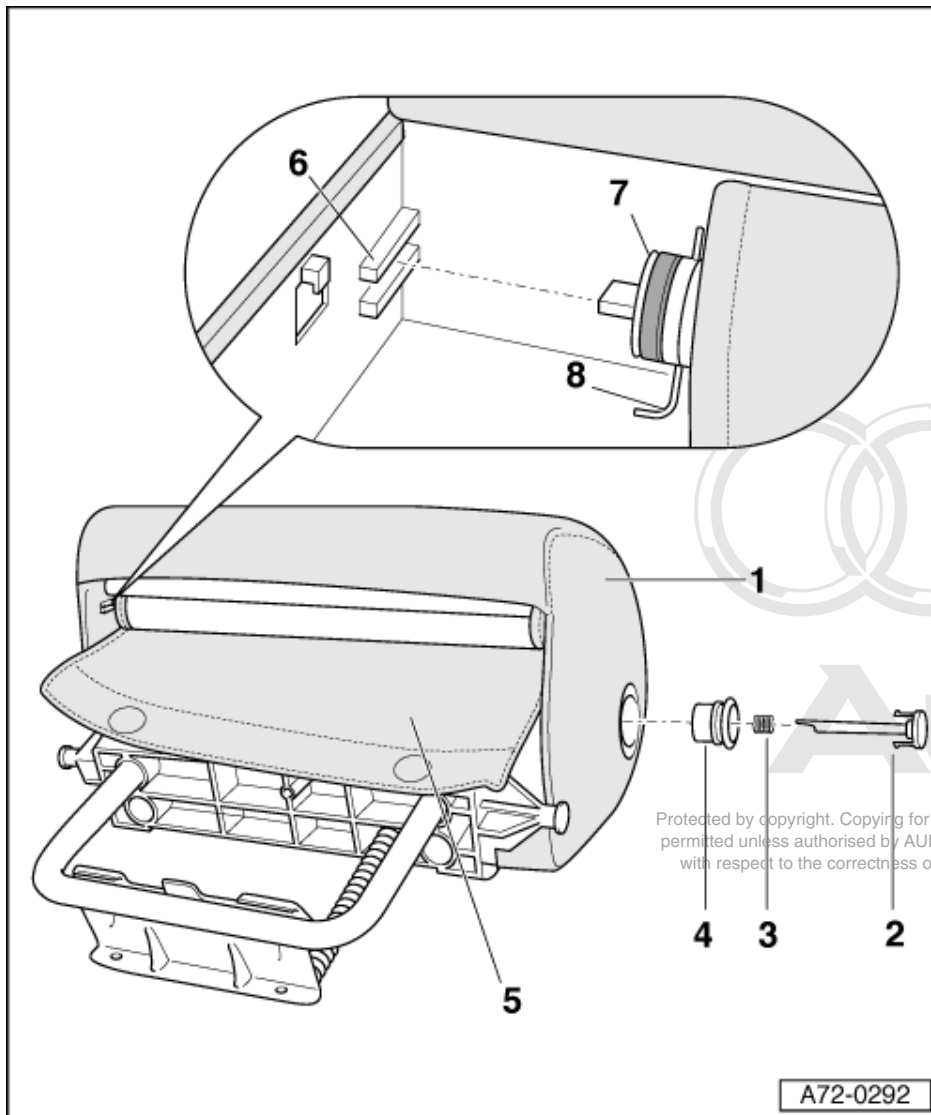
**4 Button guide (2x)**

◆ Removing

- Lever out button guide -4- (2x).

◆ Installing

- Note the position of the retaining lugs when pushing in the button guide -4- (2x).

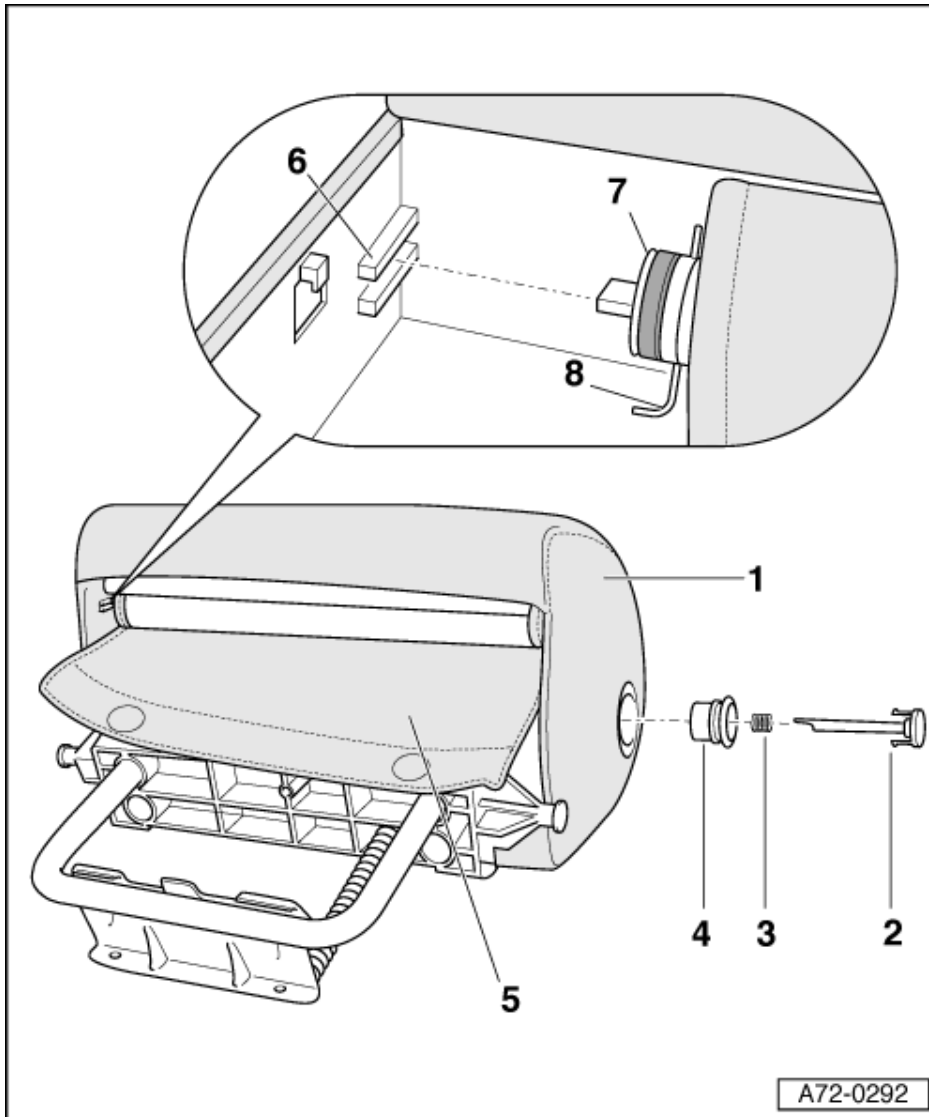


## Removing and installing roller blind

### 5 Roller blind

#### *Note:*

- The roller blind cannot be removed without damaging it.
- ◆ Removing
- Attach flat-headed screwdriver between guide -6- and spring shaft -7- and remove the rolled up roller blind -5- upwards.



◆ Installing

- Start with inserting the spring shaft -7- (in drive direction right).
- Make sure that the roller blind -5- sits tightly in the guide -6- (2x) before pulling the securing pin -8-.
- Check function. The roller blind must roll up at least three quarters.

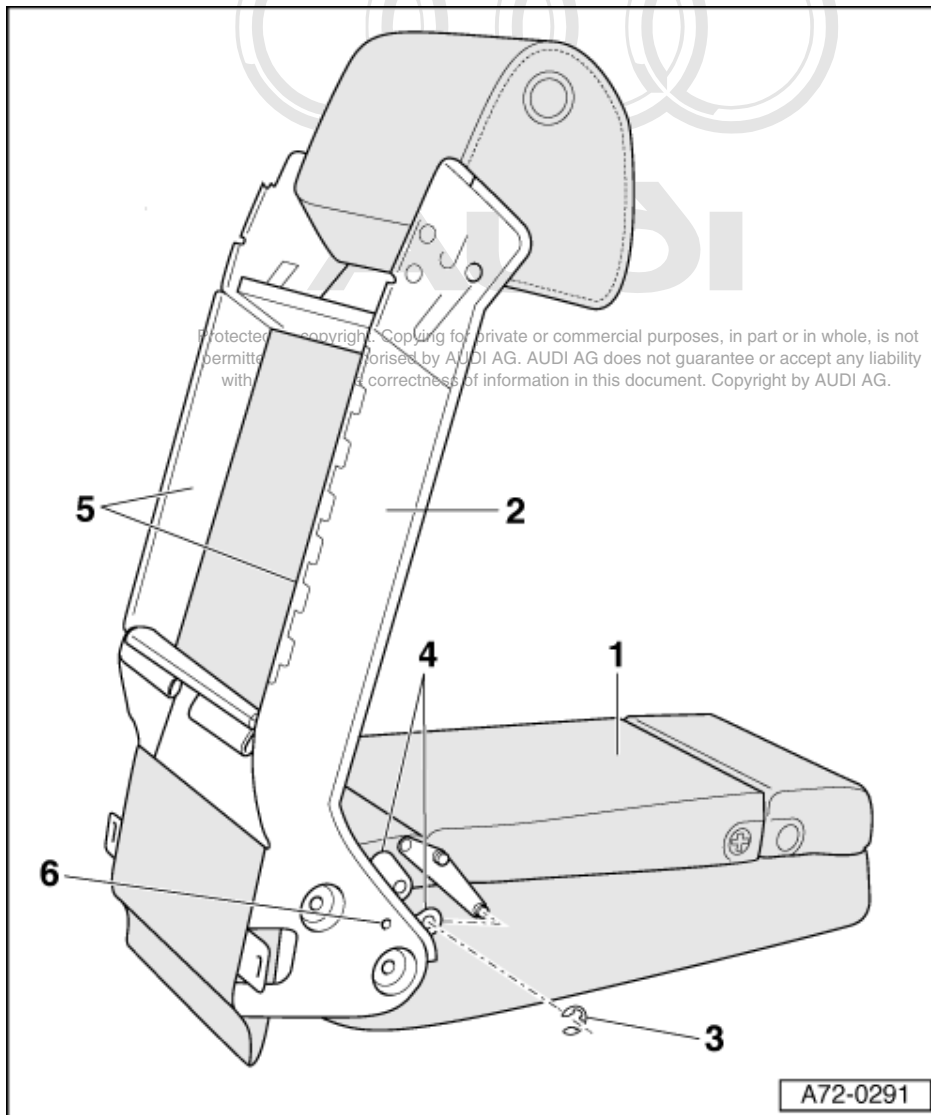
6 Guide (2x)

7 Spring shaft (2x)

8 Locking pin

Audi

Protected by copyright. Copying for private or commercial purposes, in part or in whole, is not permitted unless authorised by AUDI AG. AUDI AG does not guarantee or accept any liability with respect to the correctness of information in this document. Copyright by AUDI AG.

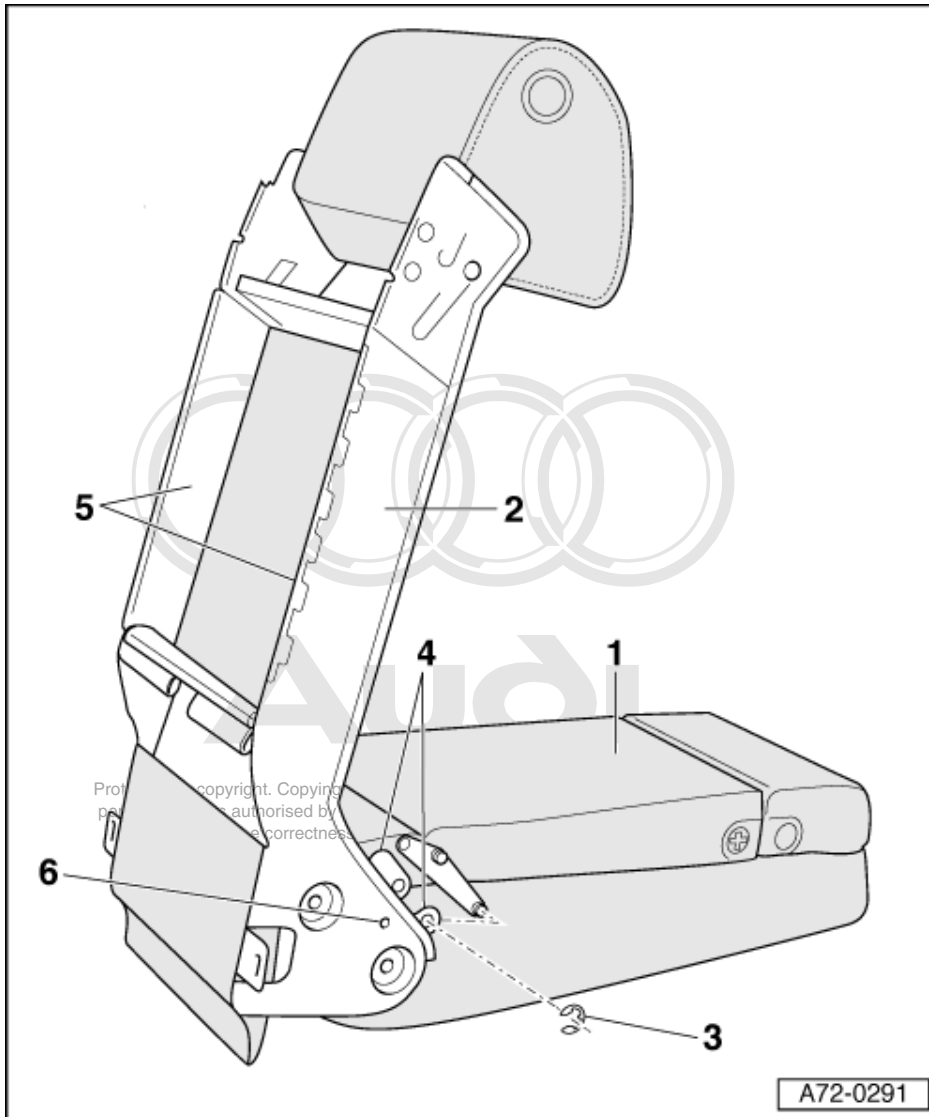


## Removing and installing armrest

### 1 Armrest

#### ◆ Removing

- Remove rear seat backrest => Page 330 .
- Remove centre part =>Page 334 .
- Fold armrest -1- out of frame -2- forward until the circlip -3- (4x) becomes visible.
- Remove circlip -3- (4x) and carefully lever armrest -1- from the metal bracket -4- (4x).



◆ Installing

- Installation is in reverse order.

**2 Frame**

**3 Circlip (4x)**

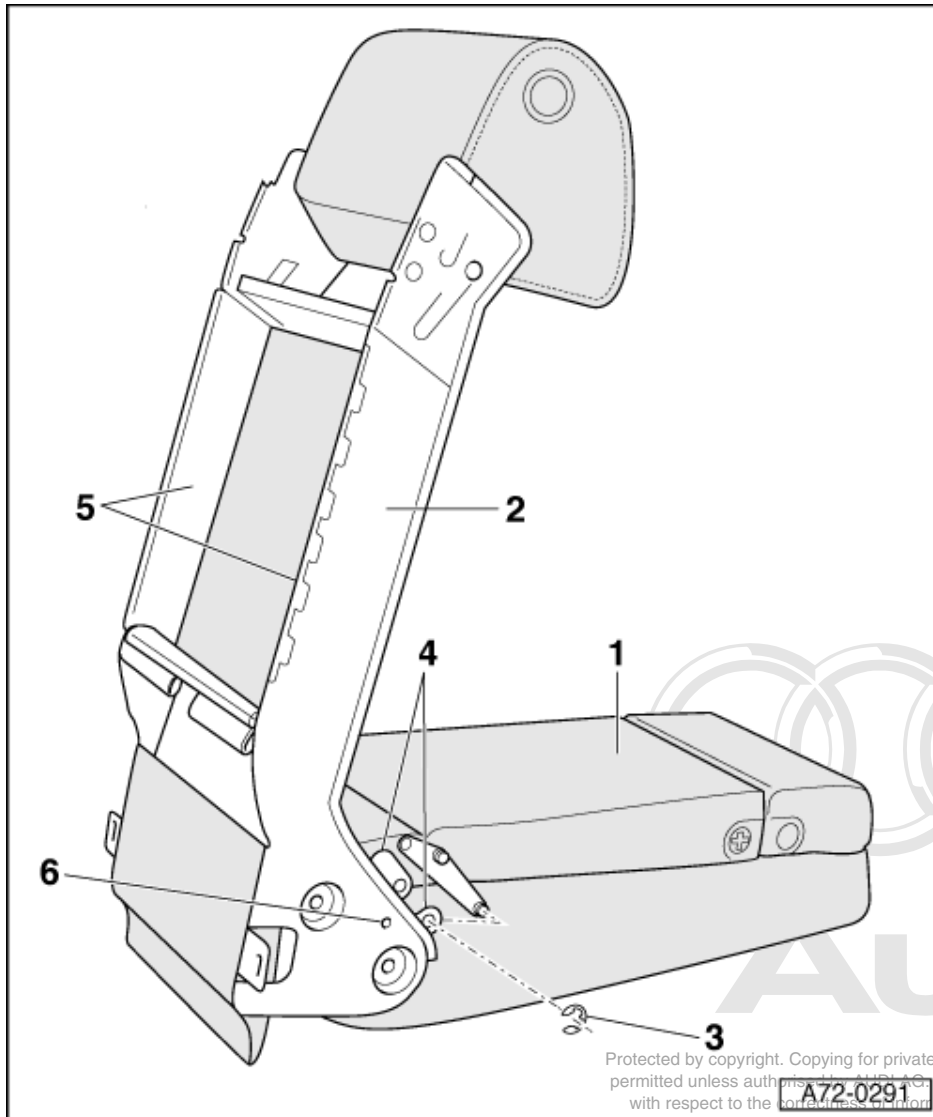
**4 Metal bracket (4x)**

**Removing and installing trim**

**5 Trim (2x)**

◆ Removing

- Remove rear seat backrest => Page 330 .
- Remove centre part => Page 334 .

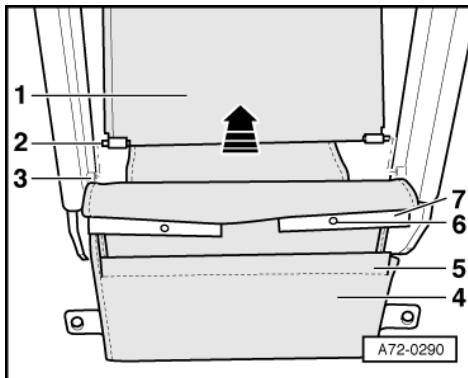


- Drill open rivet -6- (2x).
- Carefully lever off retaining lugs at trim -5- (2x) from frame -2-.
- ◆ Installing
- Press trim -5- (2x) onto frame -2- until it engages and insert a new clamp -6- (2x).

**6 Rivet (2x)**

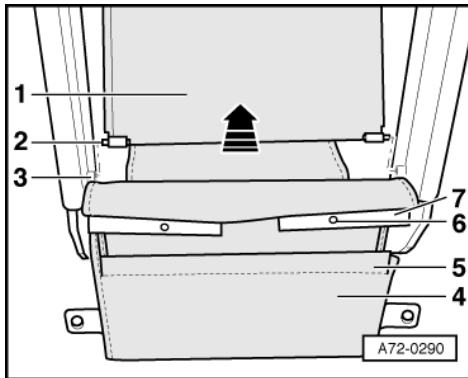


### Removing and installing ski bag cover



#### ◆ Removing

- Remove rear seat backrest=>Page 330 .
- Remove centre part => Page 334 .
- -> Open ski bag cover -1-.
- Bend ski bag cover -1- inwards in direction of arrow and remove the curb pin -2- (2x) from bracket -3- (2x).



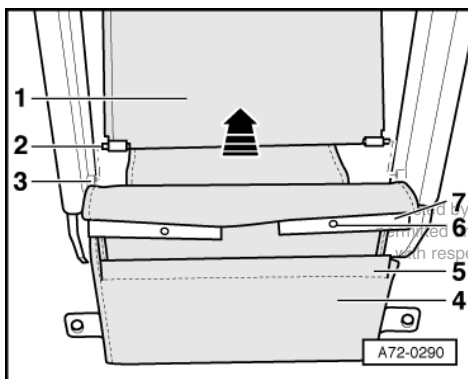
#### ◆ Installing

- Press curb pin -2- inwards until it is flush with the exterior.
- Insert the protruding curb pin -2- into bracket -3- and drive other curb pin -2- from the inside into the bracket -3- until it is flush on the inside.

#### **Note:**

- ◆ With centre armrest removed press curb pin -2- (2x) from the outside through the bracket -3- (2x) and the ski bag cover -1-.

### Removing and installing visor



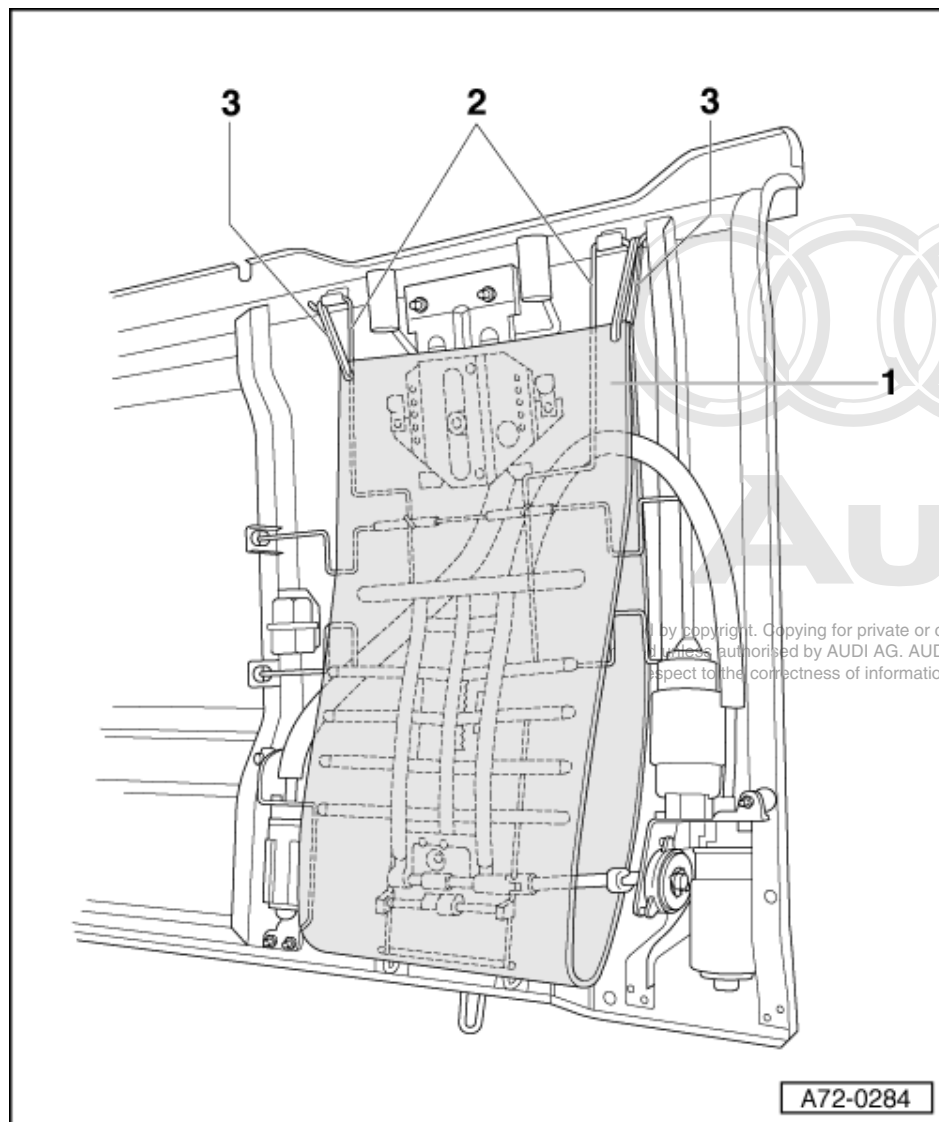
#### ◆ Removing

- Remove rear seat backrest => Page 330 .
- Remove ski bag cover => Page 345
- -> Remove terminal strip -5- of visor -4- upwards.
- Lever off attachment cover -6- (2x).
- Pull terminal strip -7- (2x) downwards and remove visor -4-.

◆ Installing

- Installation is in reverse order.

#### 4.7 - Removing and installing electrical head restraint adjustment mechanism



... by copyright. Copying for private or commercial purposes, in part or in whole, is not permitted without the express written authorisation of Audi AG. Audi AG does not guarantee or accept any liability for the correctness of information in this document. Copyright by Audi AG.

A72-0284

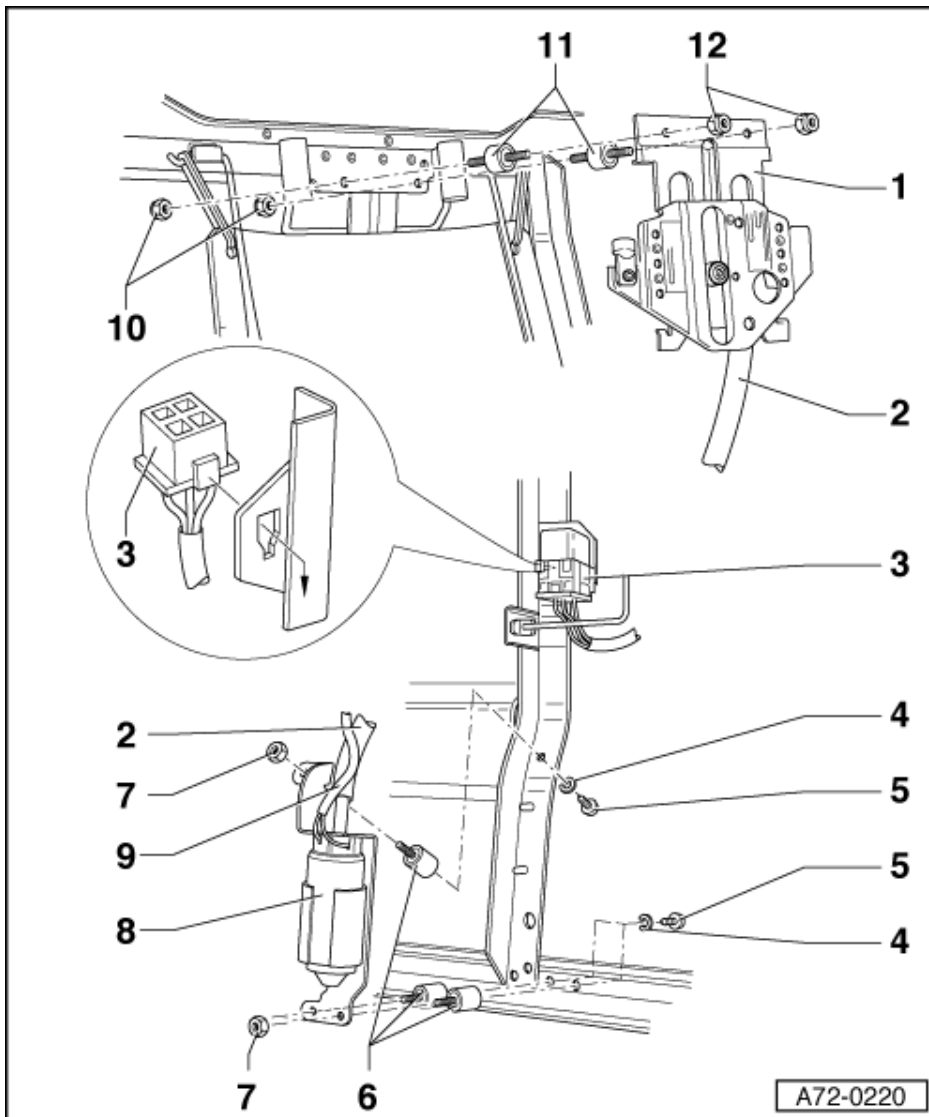
**1 Backrest trim**

◆ Removing

- Remove rear seat backrest=>Page 330 .
- Detach upholstery from rear seat backrest => Page 399 .
- Bend open the metal tabs of bracket -2- (2x).
- Detach the rubber loops -3- (4x).
- Fold cover downward -10-.

**2 Bracket (2x)**

**3 Rubber loops (4x)**



**1 Electrical head restraint adjuster**

- Unscrew nuts -12- (2x).
- Detach connector from cable end -9-.
- Push relay carrier -3- upwards and unclip.
- Unscrew nut -7- (3x).

- ◆ Installing
  - Installation is in reverse order.

**2 Shaft**

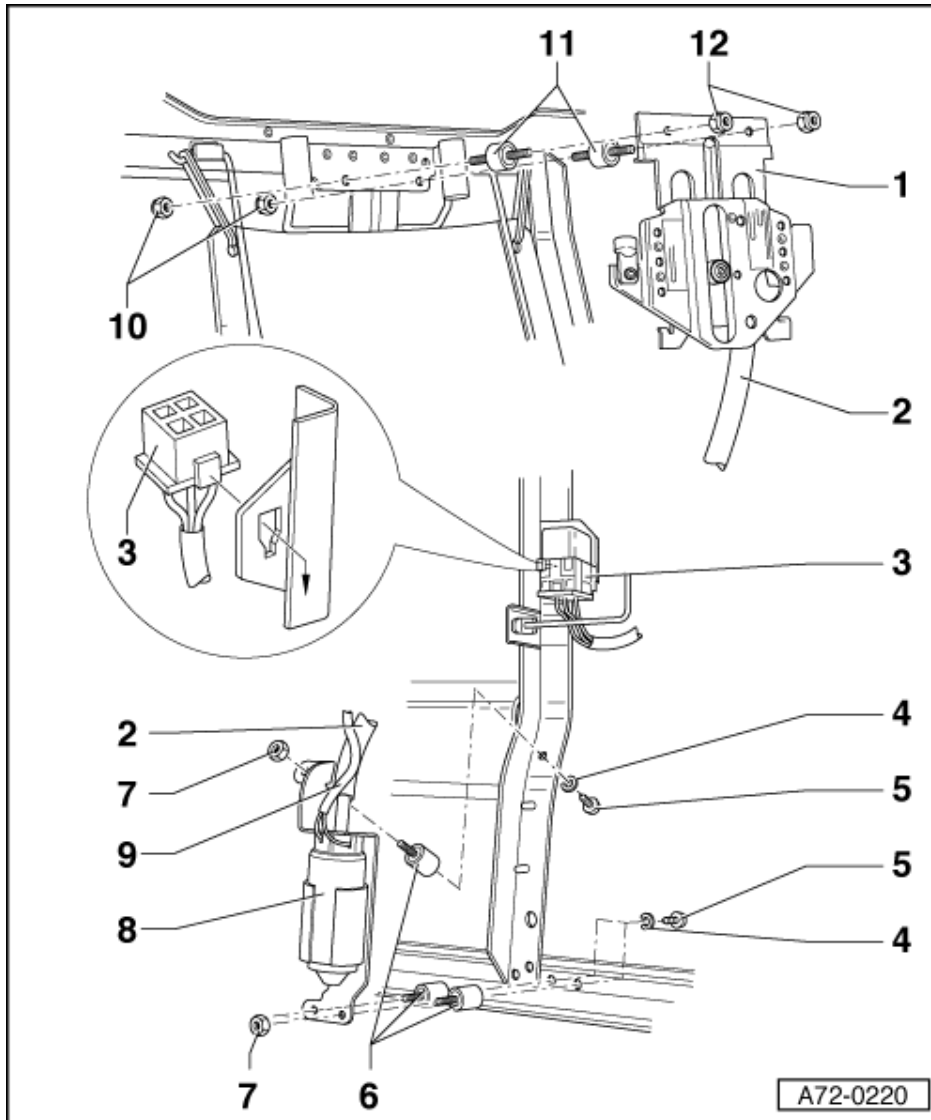
**3 Relay carrier**

**4 Washers**

- ◆ 3 off



Protected by copyright. Copying for private or commercial purposes, in part or in whole, is not permitted unless authorised by AUDI AG. AUDI AG does not guarantee or accept any liability with respect to the correctness of information in this document. Copyright by AUDI AG.



**5 Bolts**

- ◆ 3 off
- Tightening torque 2 Nm

**6 Rubber buffer**

- ◆ 3 off

**7 Nut**

- ◆ 3 off
- Tightening torque 2 Nm

**8 Electric motor for head restraint adjuster**

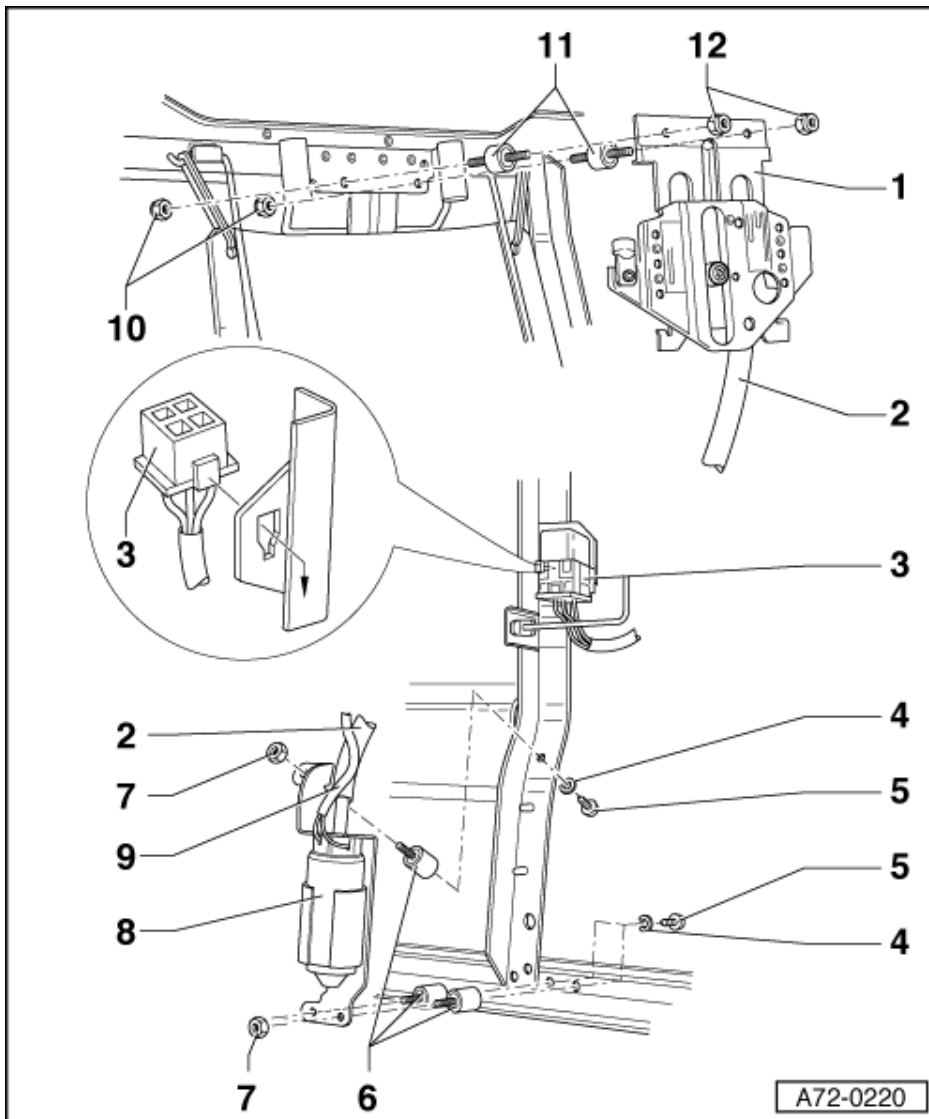
- ◆ Is supplied together with head restraint adjuster

**9 Cable with connector**



Audi

Protected by copyright. Copying for private or commercial purposes, in part or in whole, is not permitted unless authorised by AUDI AG. AUDI AG does not guarantee or accept any liability with respect to the correctness of information in this document. Copyright by AUDI AG.



**10 Nut**

- ◆ 2 off
- Tightening torque 3.5 Nm.

**11 Rubber buffer**

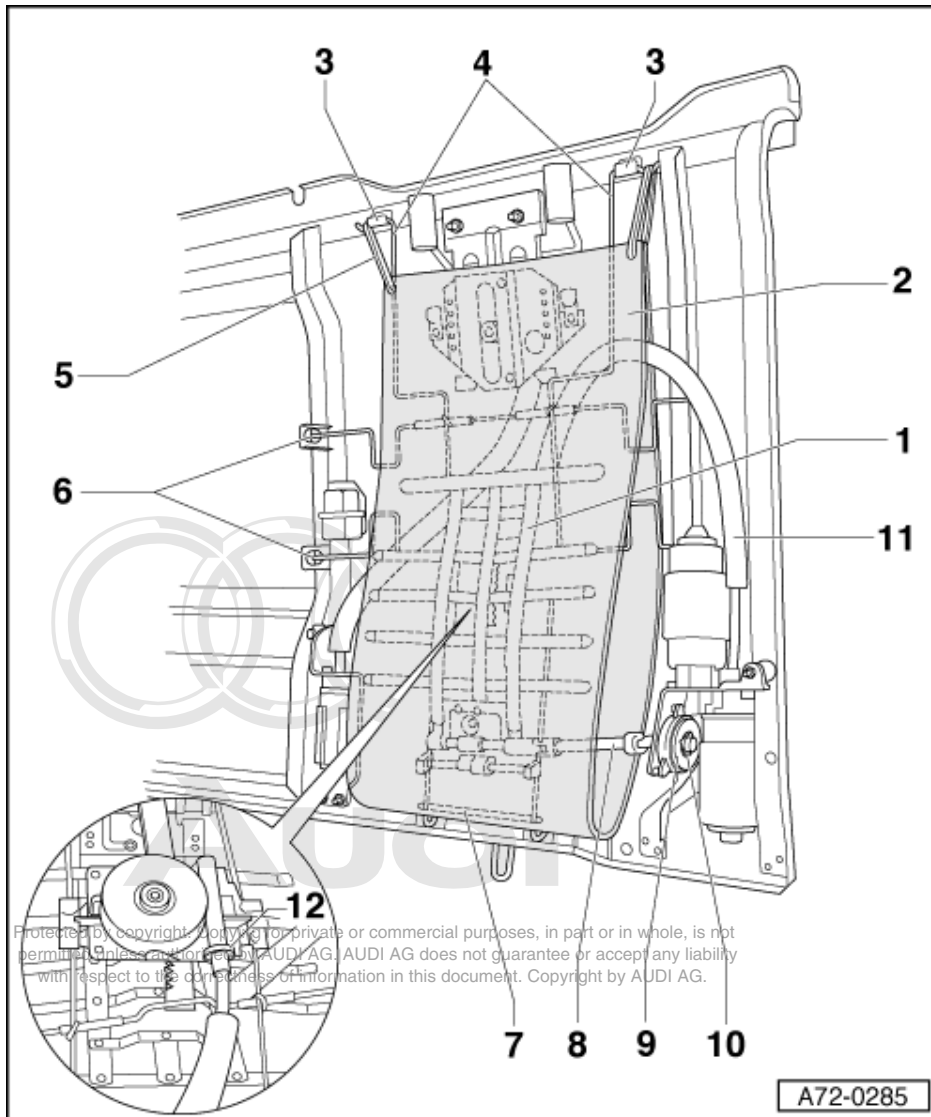
- ◆ 2 off

**12 Nut**

- ◆ 2 off
- Tightening torque 3.5 Nm.

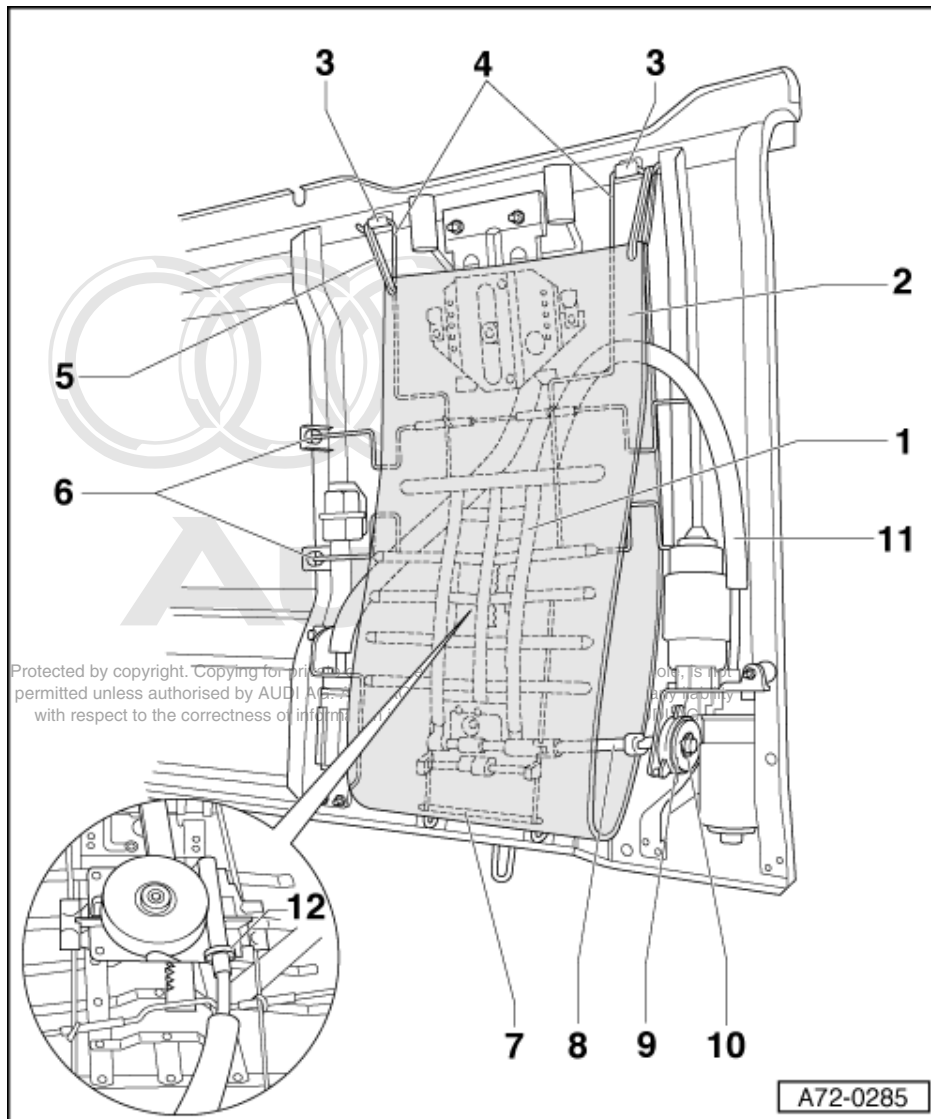
Protected by copyright. Copying for private or commercial purposes, in part or in whole, is not permitted unless authorised by AUDI AG. AUDI AG does not guarantee or accept any liability with respect to the correctness of information in this document. Copyright by AUDI AG.

#### 4.8 - Removing and installing electrical lumbar support adjustment mechanism

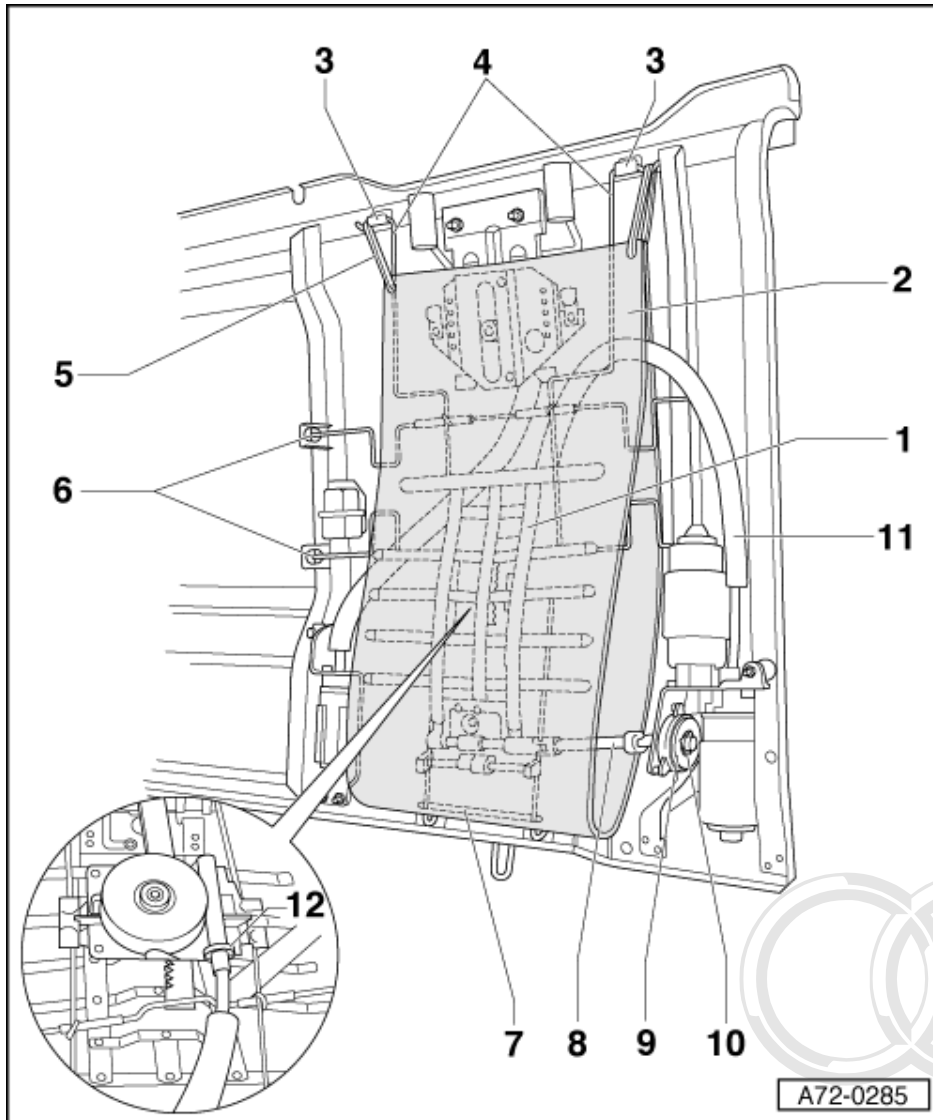


##### 1 Lumbar support adjustment unit

- ◆ Removing
  - Remove rear seat backrest => Page 330 .
  - Detach upholstery from rear seat backrest => Page 399 .
  - Bend open the metal tabs of bracket -4- (2x).
  - Detach the rubber loops -5- (4x).
  - Fold cover downward -2-.
  - Bend open the metal tabs -3- (2x).
  - Detach the tabs -4- (2x).



- Detach bracket -7-.
- Remove the cable ties (4x) from bracket -7-.
- Detach the rubber loops -6- (4x).
- Remove spring clip -10- to joint from gear unit of lumbar support longitudinal adjustment motor -9-.
- Pull out gear -8-.
- Remove the cable ties which connect the lumbar support adjustment unit -1- to the cover -2-.
- Remove the spring clip -12- from the lumbar support height adjustment shaft -11- on the back of the lumbar support adjustment unit -1-.



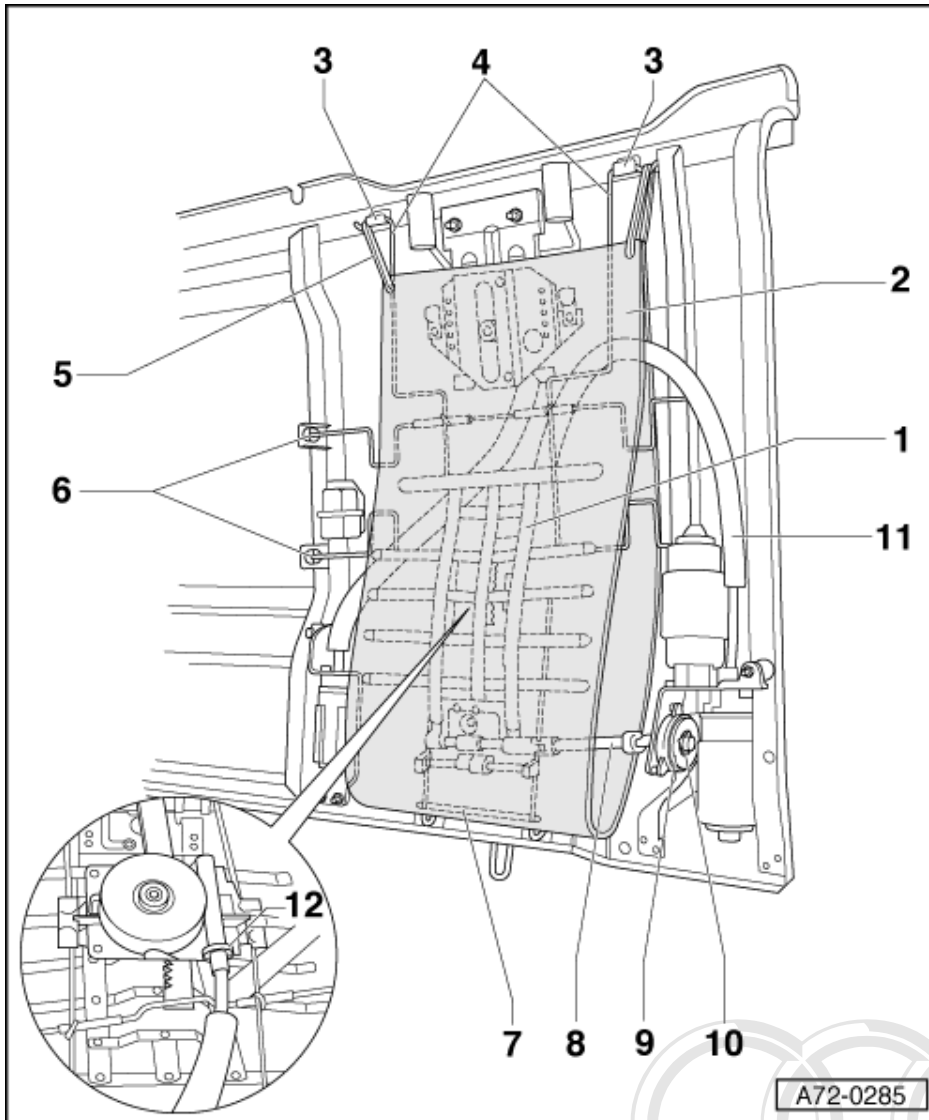
- Remove shaft -11- from lumbar support adjustment unit -1-.
- Detach lumbar support adjustment unit -1-.

- ◆ Installing
  - Installation is in reverse order.

- 2 Cover**
- 3 Tabs (2x)**
- 4 Bracket (2x)**
- 5 Rubber loops (4x)**
- 6 Bracket**
- 7 Bracket**
- 8 Joint**

Protected by copyright. Copying for private or commercial purposes, in part or in whole, is not permitted unless authorised by AUDI AG. AUDI AG does not guarantee or accept any liability with respect to the correctness of information in this document. Copyright by AUDI AG.



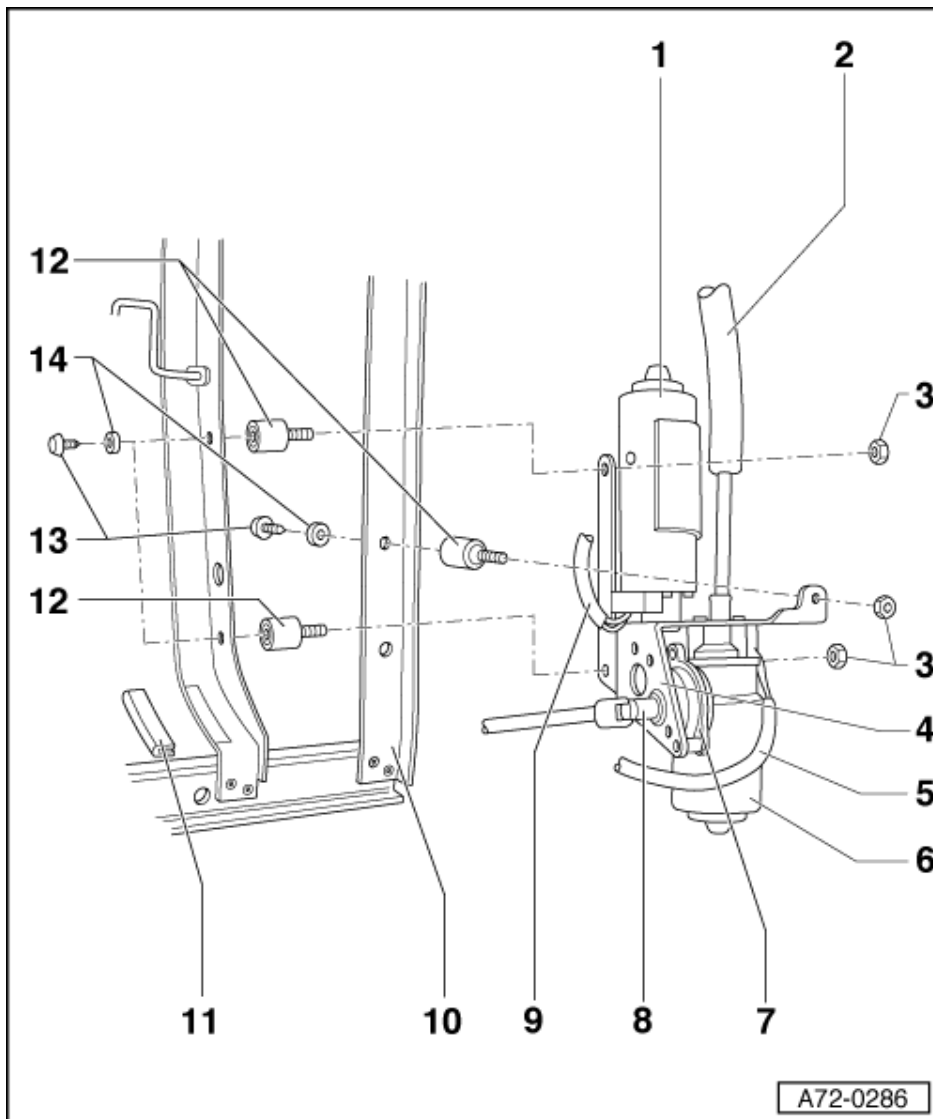


- 9 Gearbox of motor for lumbar support longitudinal adjustment
- 10 Spring clip
- 11 Shaft of lumbar support height adjustment
- 12 Spring clip

Audi

Protected by copyright. Copying for private or commercial purposes, in part or in whole, is not permitted unless authorised by AUDI AG. AUDI AG does not guarantee or accept any liability with respect to the correctness of information in this document. Copyright by AUDI AG.

#### 4.9 - Removing and installing lumbar support adjustment motors

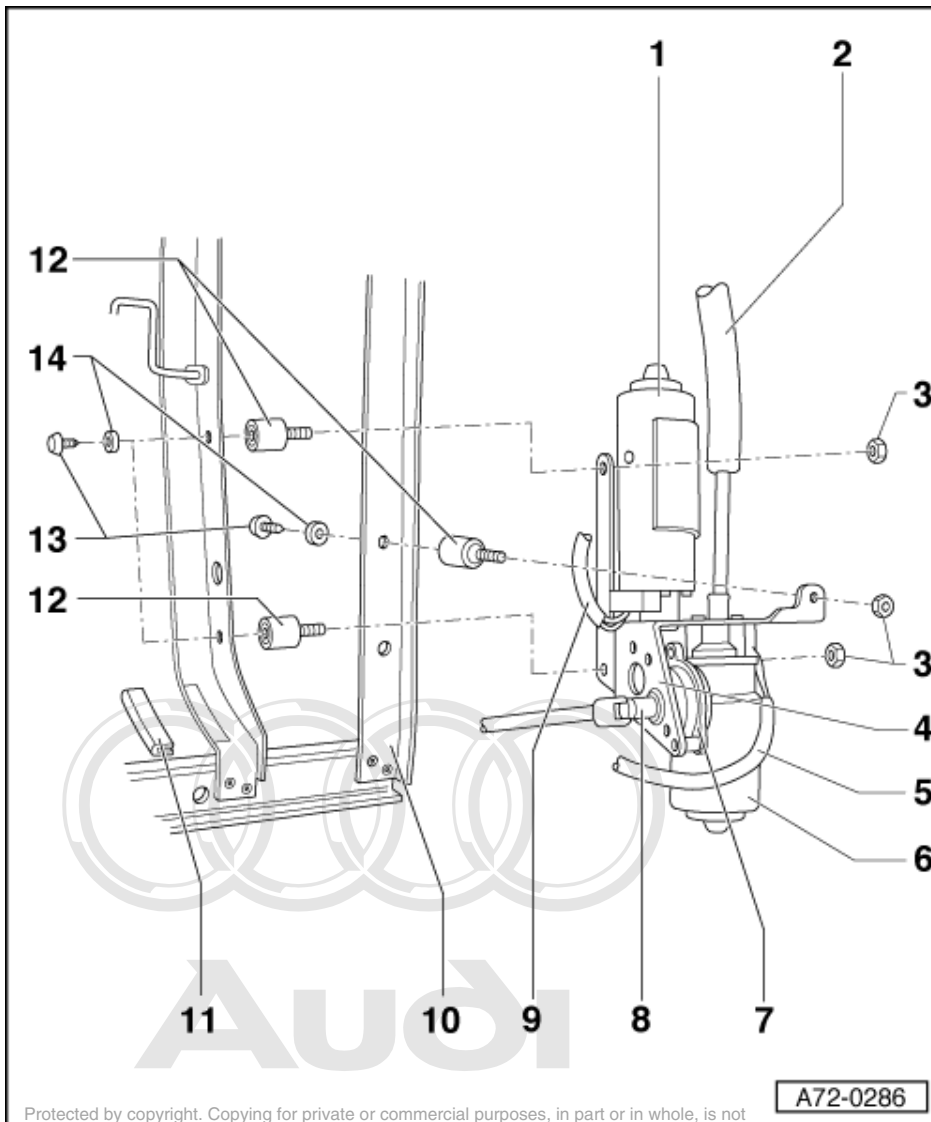


#### 1 Motor for lumbar support longitudinal adjustment

- ◆ Removing
  - Remove rear seat backrest => Page 330 .
  - Detach upholstery from rear seat backrest => Page 399 .
  - Remove adjustment unit for lumbar support => Page 399 .
  - Detach connector from cable end -5-.
  - Detach connector from cable end -9-.
  - Unscrew nut -3-.
  - Detach motors for lumbar support adjustment -1- and -6- with bracket -4-.

Audi

Protected by copyright. Copying for private or commercial purposes, in part or in whole, is not permitted unless authorised by AUDI AG. AUDI AG does not guarantee or accept any liability with respect to the correctness of information in this document. Copyright by AUDI AG.



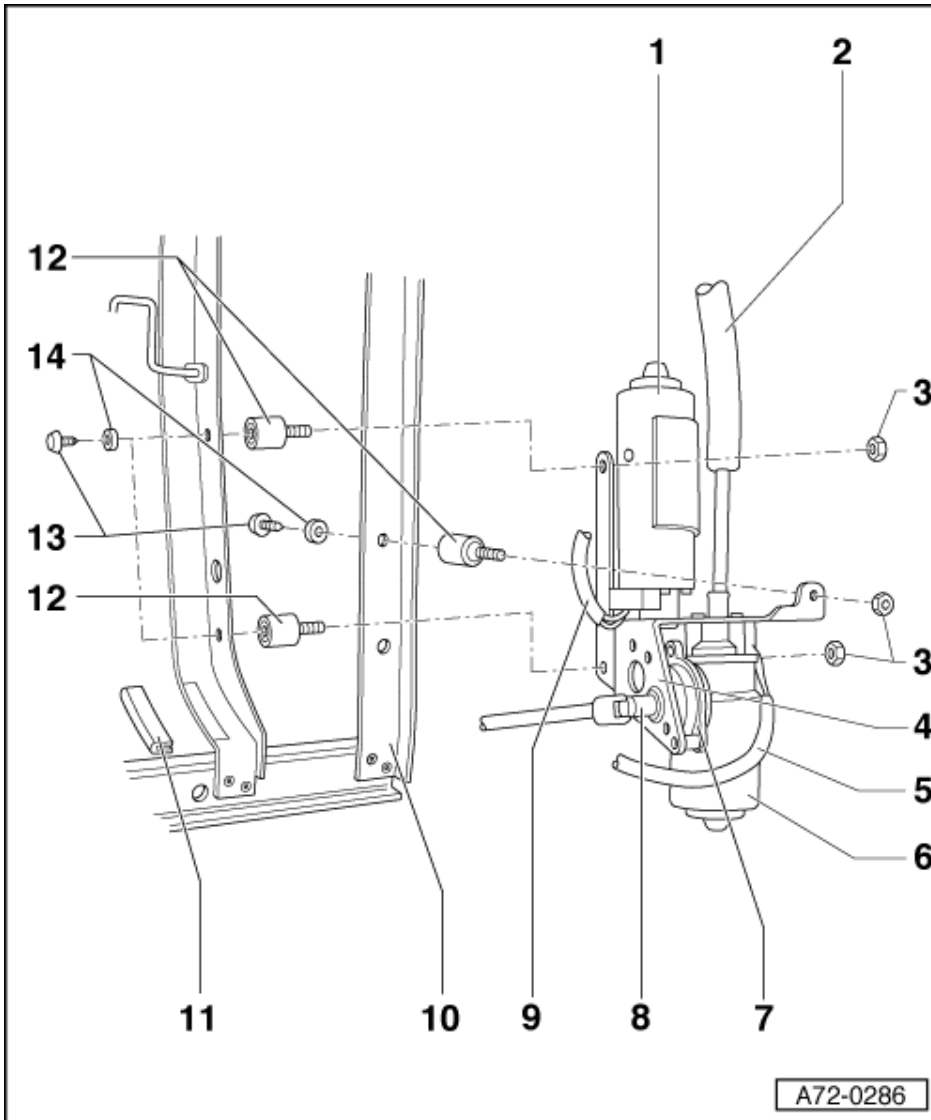
Protected by copyright. Copying for private or commercial purposes, in part or in whole, is not permitted, unless authorised by AUDI AG. AUDI AG does not guarantee or accept any liability with respect to the correctness of information in this document. Copyright by AUDI AG.

A72-0286

◆ **Installing**

- Installation is in reverse order.

- 2 Shaft for lumbar support height adjustment**
- 3 Nut**
  - Tightening torque 2 Nm.
- 4 Bracket**
- 5 Cable with connector**
- 6 Motor for lumbar support height adjustment**

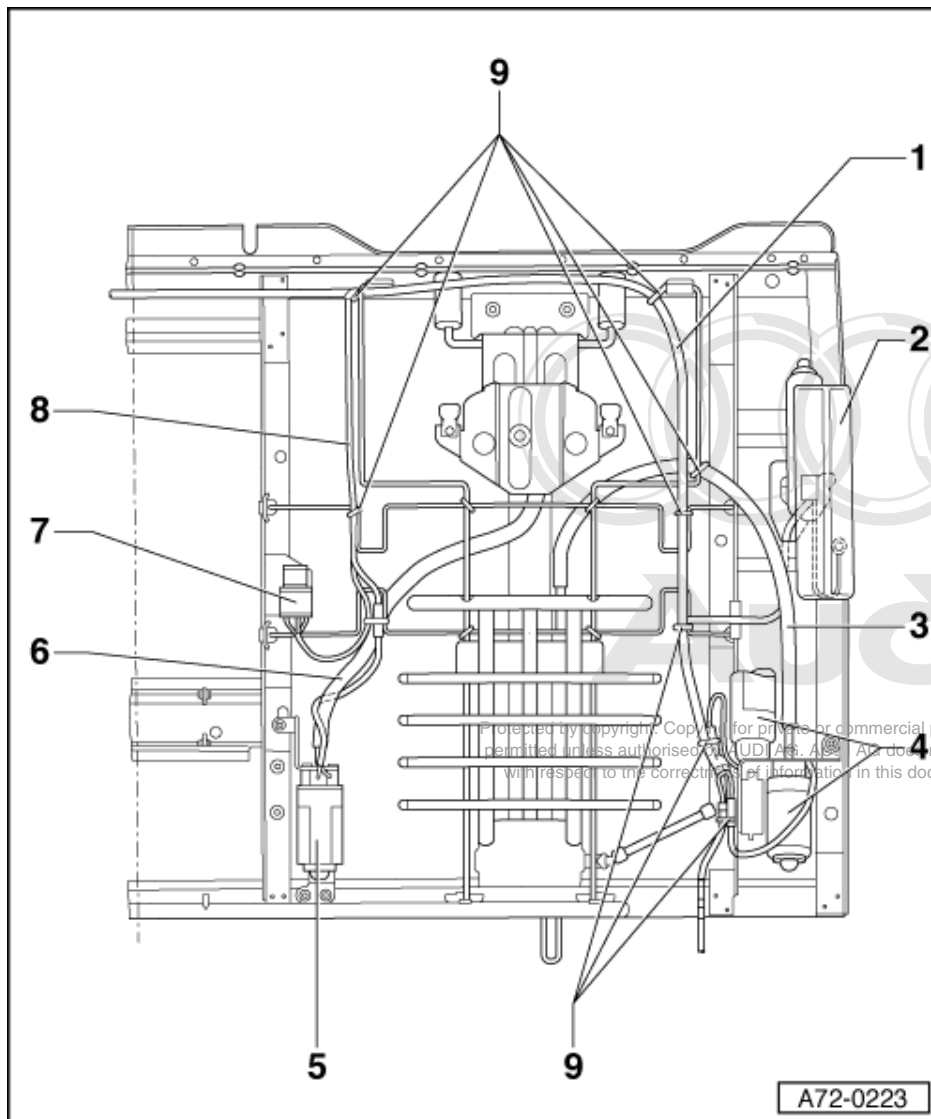


- 7 Shaft for lumbar support height adjustment
- 8 Drive shaft
- 9 Cable with connector
- 10 Rear seat backrest frame
- 11 Edge protection
- 12 Rubber buffer
  - ◆ 3 off
- 13 Bolts
  - ◆ 3 off
  - Tightening torque 2 Nm.
- 14 Washers
  - ◆ 3 off



Protected by copyright. Copying for private or commercial purposes, in part or in whole, is not permitted unless authorised by AUDI AG. AUDI AG does not guarantee or accept any liability with respect to the correctness of information in this document. Copyright by AUDI AG.

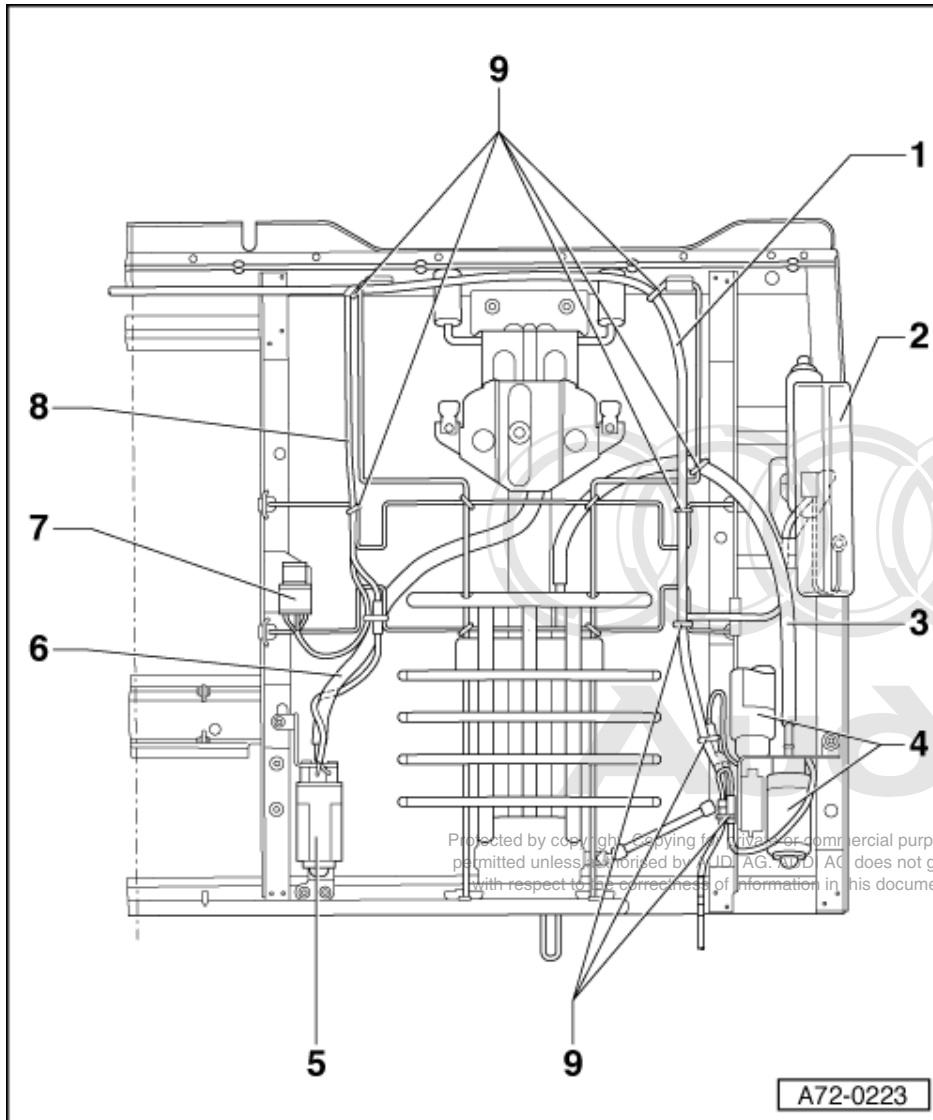
#### 4.10 - Wiring for electrical lumbar support and head restraint adjustment mechanisms



**Note:**

*Fig. shows cable routing on right side as viewed from front; left side is a mirror image.*

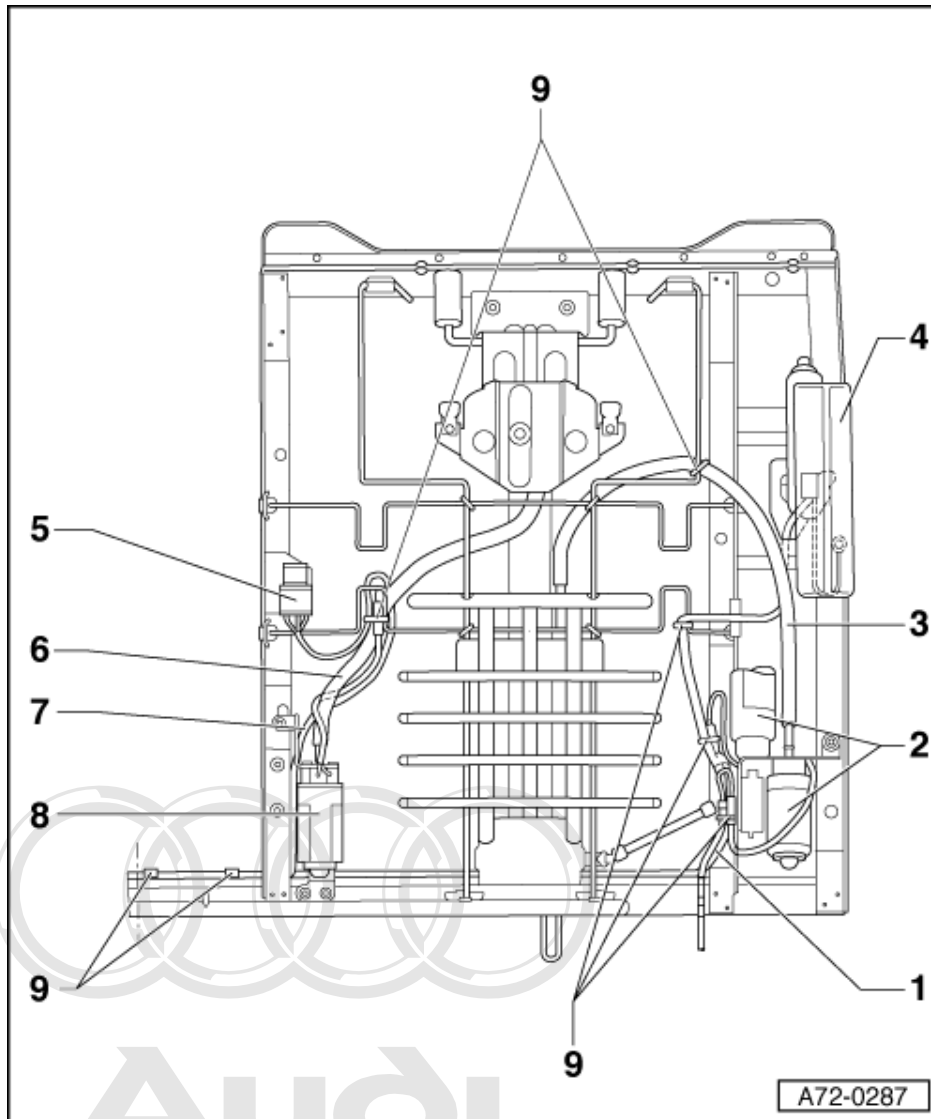
- 1 Wiring harness for electrical lumbar support adjustment mechanism
- 2 Side airbag module
- 3 Shaft for lumbar support height adjustment
- 4 Motor for electrical lumbar support adjustment (2x)



Protected by copyright. Copying for private or commercial purposes, in part or in whole, is not permitted unless authorized by AUDI AG. AUDI AG does not guarantee or accept any liability with respect to the correctness of information in this document. Copyright by AUDI AG.

- 5 Electric head restraint adjustment motor
- 6 Shaft for head restraint adjustment mechanism
- 7 Relay carrier for electrical head restraint adjustment mechanism
- 8 Wiring harness for electrical head restraint adjustment mechanism
- 9 Cable tie

#### 4.11 - Wiring for electrical lumbar support and head restraint adjustment mechanisms

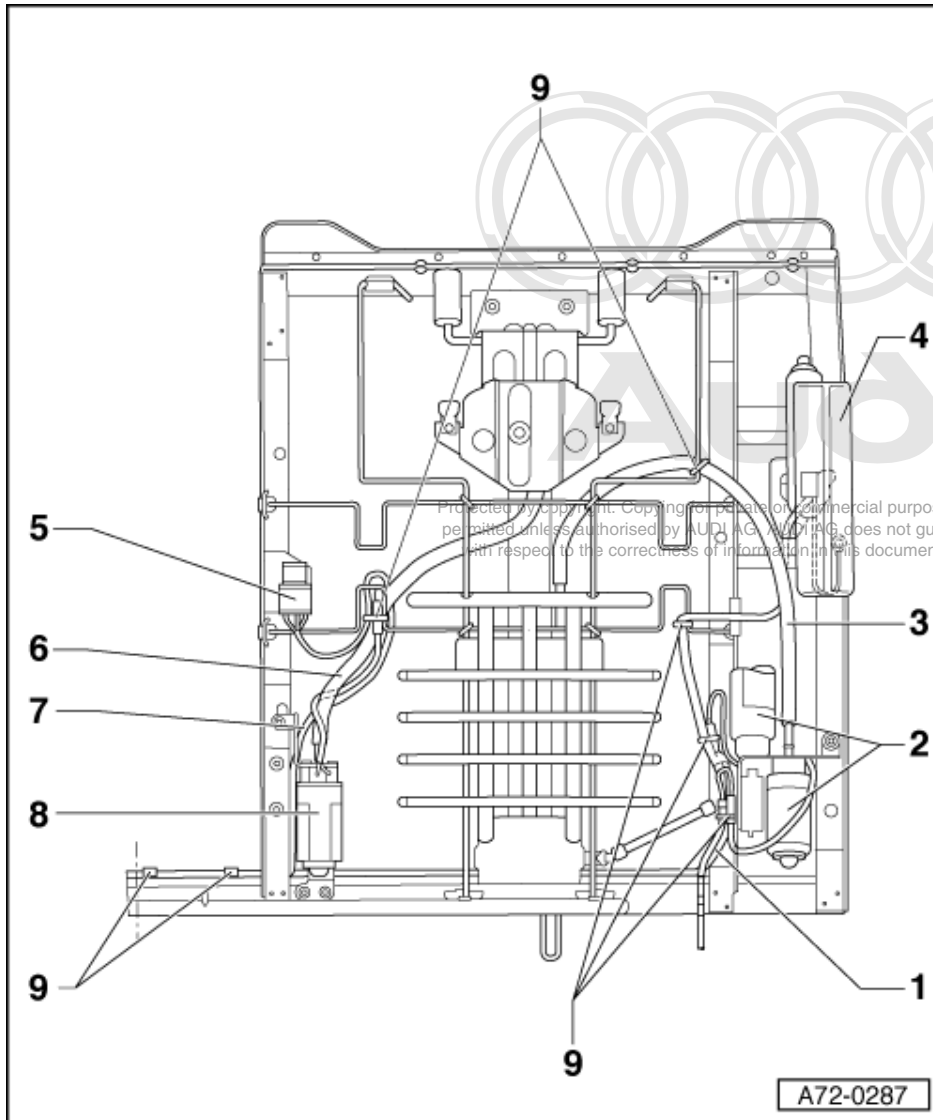


**Note:**

Protected by copyright. Copying for private or commercial purposes, in part or in whole, is not permitted, unless authorised by AUDI AG. AUDI AG does not accept any liability with respect to the correctness of information in this document. Copyright by AUDI AG.

*Fig. shows cable routing on right side as viewed from front; left side is a mirror image.*

- 1 Wiring harness for electrical lumbar support adjustment mechanism
- 2 Motor for electrical lumbar support adjustment (2x)
- 3 Shaft for lumbar support height adjustment
- 4 Side airbag module

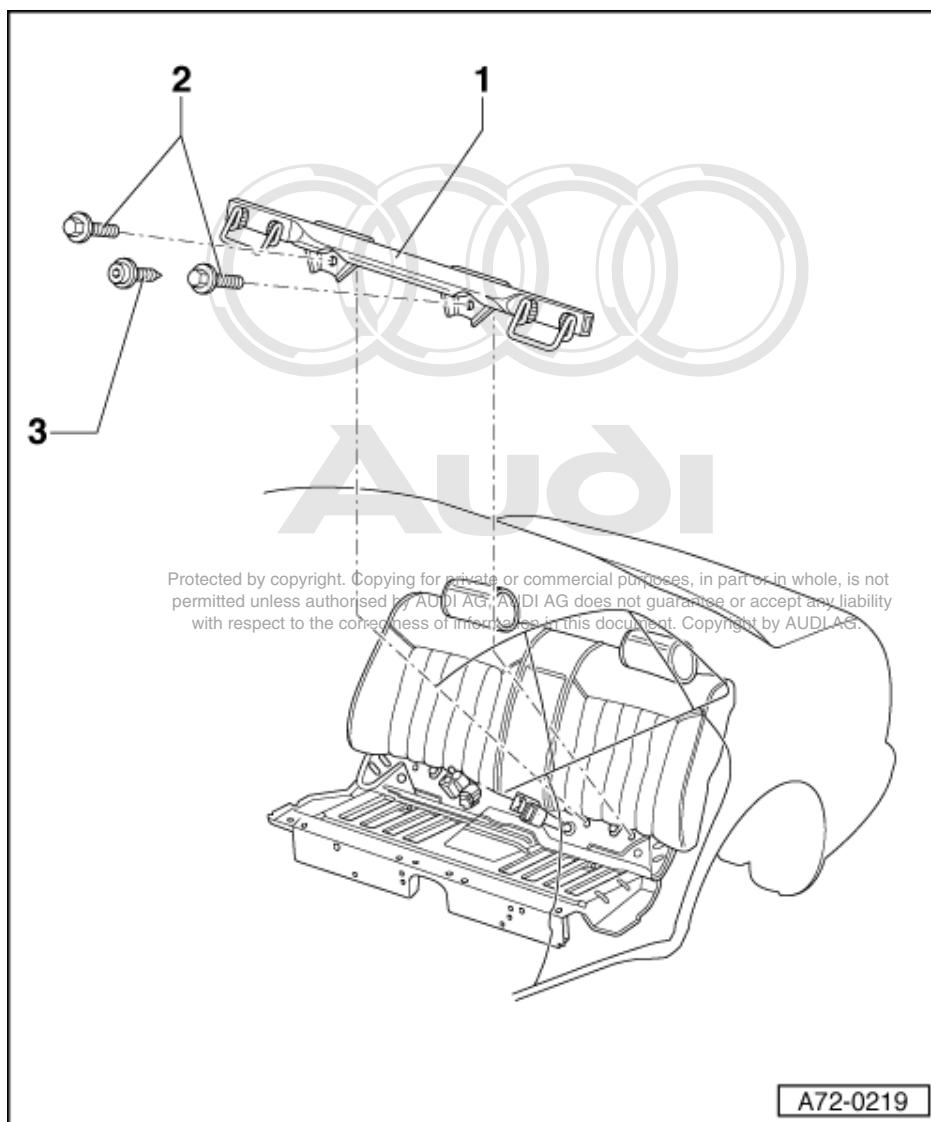


Protected by copyright. Copying or reuse of any commercial purposes, in part or in whole, is not permitted unless authorised by AUDI AG. AUDI AG does not guarantee or accept any liability with respect to the correctness of information in this document. Copyright by AUDI AG.

- 5 Relay carrier for electrical head restraint adjustment mechanism
- 6 Shaft for head restraint adjustment mechanism
- 7 Wiring harness for electrical head restraint adjustment mechanism
- 8 Electric head restraint adjustment motor
- 9 Cable tie



## 4.12 - Removing and installing ISO FIX holder



### 1 ISO FIX holder

- Remove rear bench seat=>Page 330
- Unscrew bolts (4x).

### 2 Hexagon combi bolt (4x)

- Tightening torque 22 Nm.

### 3 Torx socket-head bolt (4x)

- Tightening torque 30 Nm.

#### Notes:

*Either bolts -Item 2- and -Item 3- may be fitted; note different tightening torques.*

*On installing rigid rear seat backrest slip fasteners behind ISO FIX holders -1-.*

## 5 - Electrically adjustable individual rear seats

### 5.1 - Electrically adjustable individual rear seats

Important  
Observe safety precautions for working on airbag =>

#### *General notes:*

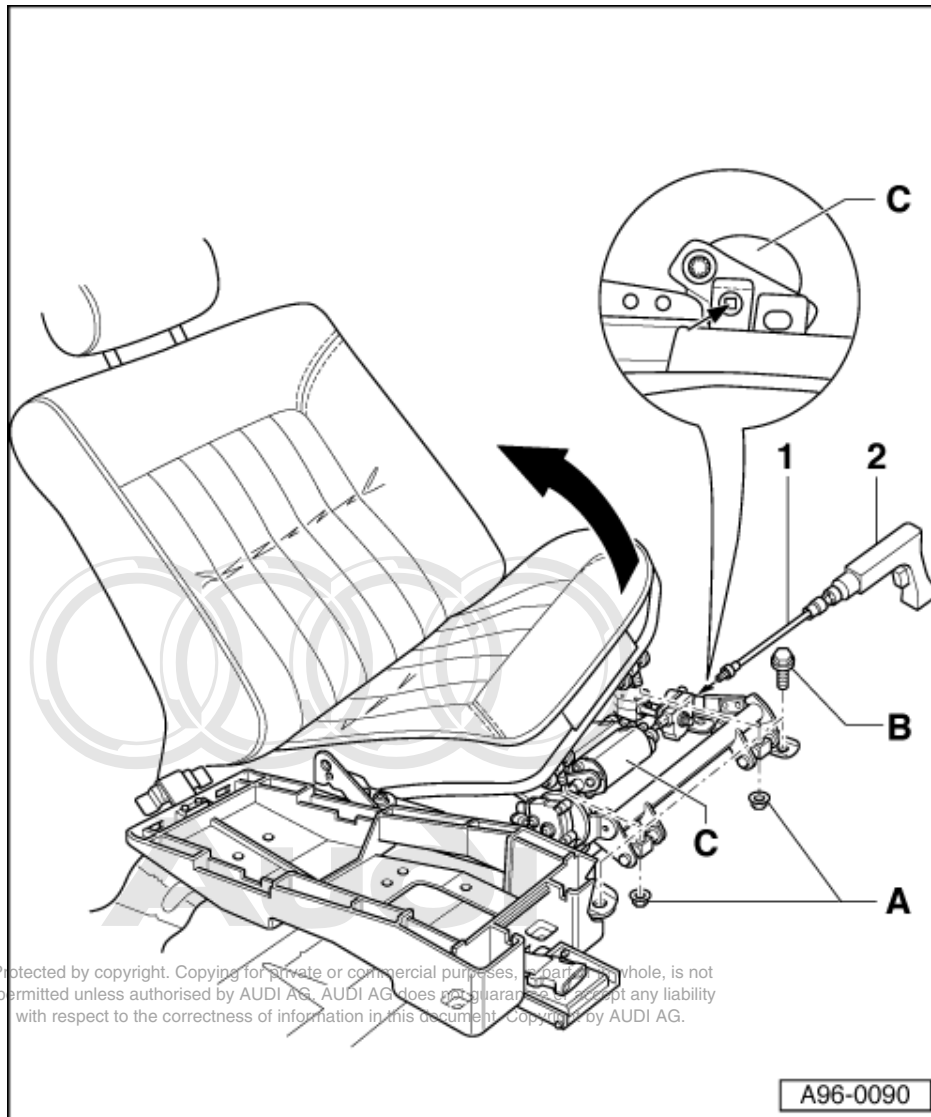
- ◆ Bolts to which locking compound had been applied must be cleaned prior to pre-fitting and coated with liquid locking compound D 000 600 on insertion. Clean mating threads beforehand with thread cutter.
- ◆ Refer to cable routing on removal and take care not to alter on installation.
- ◆ Mark installation position of cable ties on dismantling and re-attach cable ties at same location. Re-attach cable ties at same location.
- ◆ Connectors which had been attached with clips must be secured in the same manner on re-assembly.
- ◆ Removal and installation of switch trim involve taking out switch for rear seat adjustment to permit access to switch trim bolts.
- ◆ Make use of current flow diagram:

=> "Current Flow Diagrams, Electrical Fault-finding and Fitting Locations" binder



Protected by copyright. Copying for private or commercial purposes, in part or in whole, is not permitted unless authorised by AUDI AG. AUDI AG does not guarantee or accept any liability with respect to the correctness of information in this document. Copyright by AUDI AG.

## 5.2 - Mechanical longitudinal seat adjustment



Protected by copyright. Copying for private or commercial purposes, in part or in whole, is not permitted unless authorised by AUDI AG. AUDI AG does not guarantee or accept any liability with respect to the correctness of information in this document. Copying by AUDI AG.

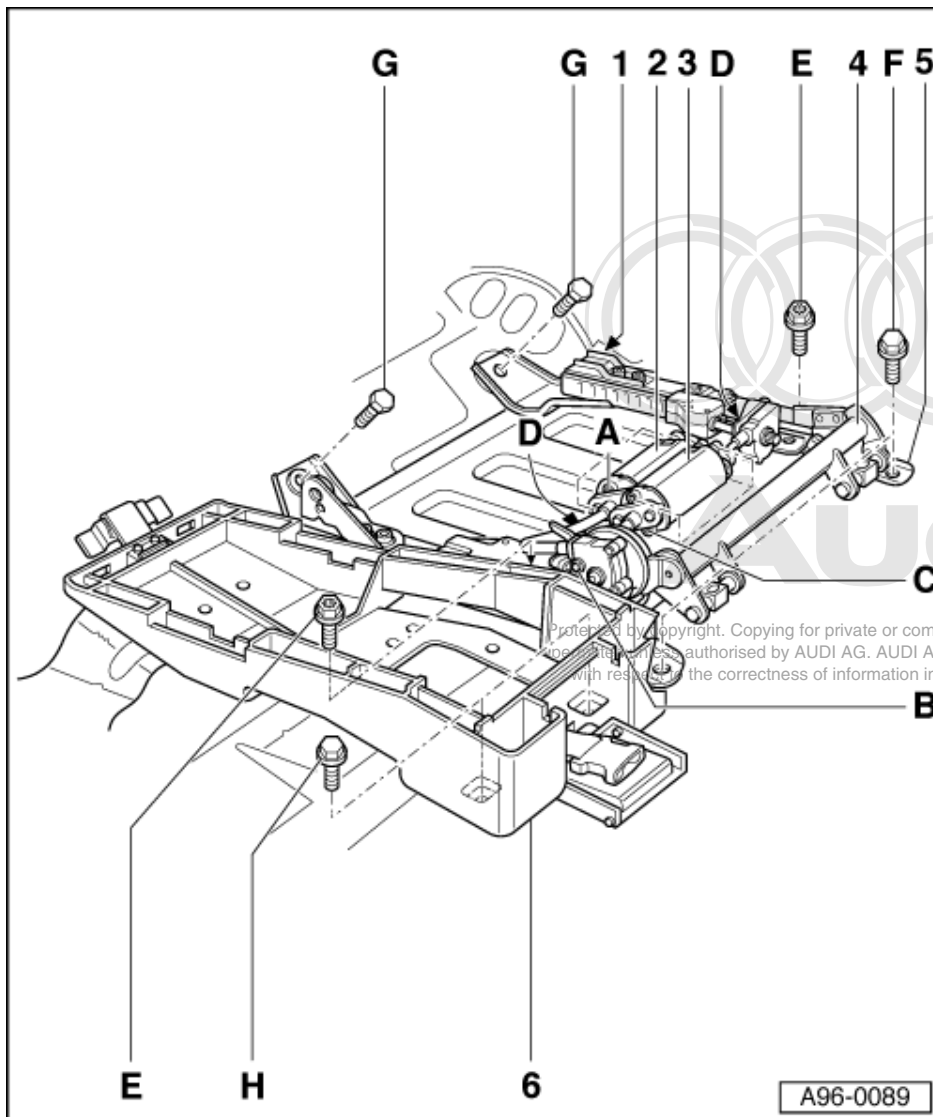
### **Note:**

*Seat must be moved forwards mechanically to provide access to seat bolts if electrical longitudinal adjustment mechanism is defective.*

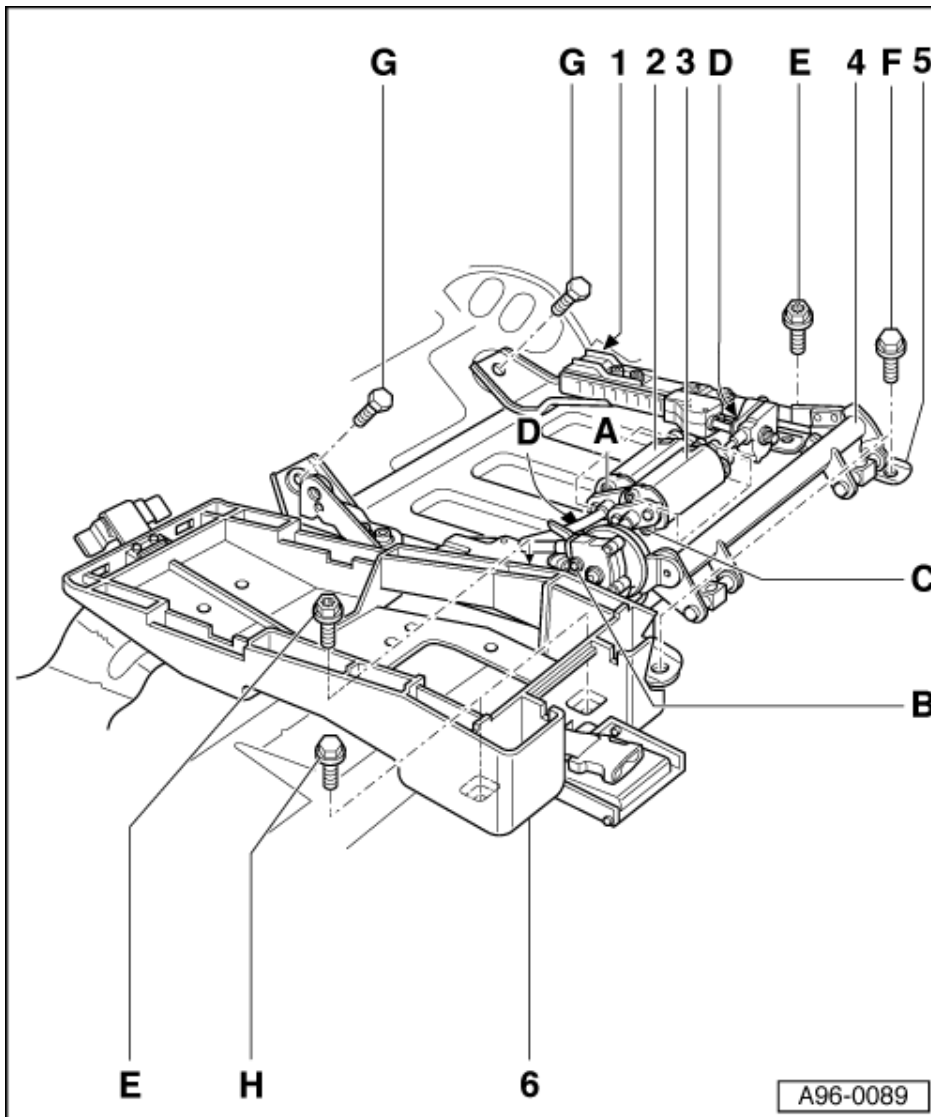
- Slacken off nuts -A- for seat and raise seat.
- Slacken off bolts -B- for seat frame if nuts -A- are not readily accessible.
- Insert flexible shaft -1- or 3 mm Allen key in longitudinal adjustment gear.
- Use drill -2- to move seat forwards.

**C - Longitudinal adjustment motor**

**5.3 - Electric motors and micro switches - Exploded view**



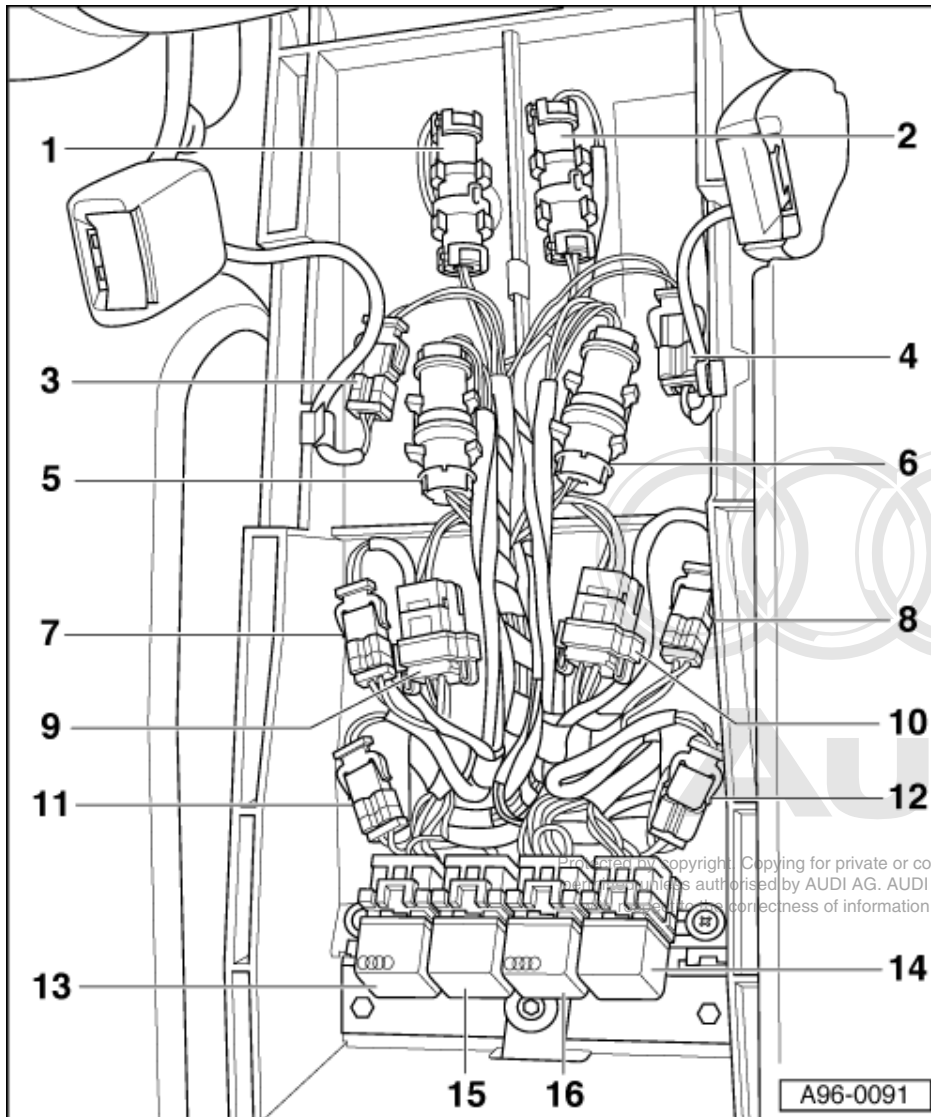
- A - Bolt - 3.5 Nm**
- ◆ 4 off
- B - Nut - 1.7 Nm**
- C - Bolt - 3.5 Nm**
- ◆ 4 off
- D - Bolt - 7.5 Nm**
- ◆ 2 off
- E - Bolt - 18 Nm**
- ◆ 2 off
- F - Bolt - 22 Nm**
- ◆ 2 off
- G - Bolt - 50 Nm**
- ◆ 2 off
- H - Bolt - 8 Nm**
- ◆ 2 off



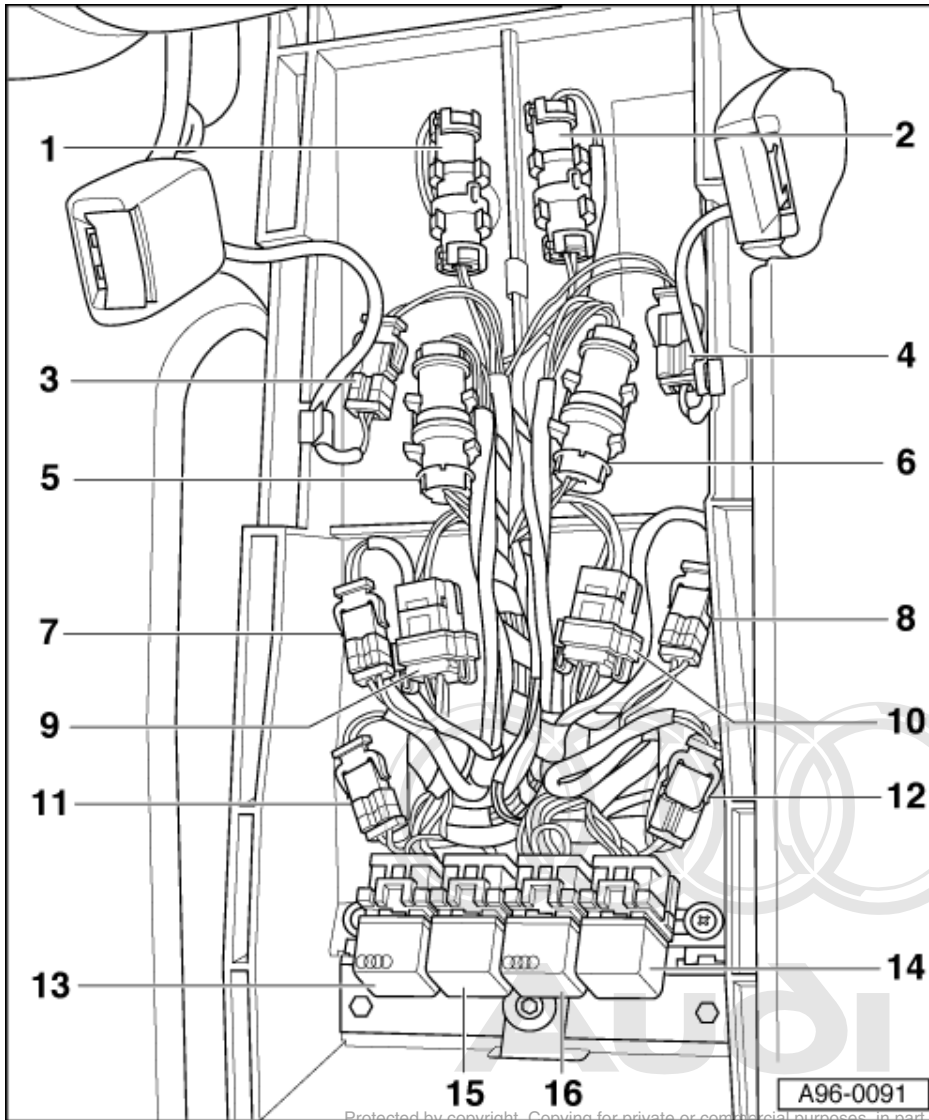
- 1 **Micro switch for rear end position**
  - ◆ Two bolts - 0.7 Nm
- 2 **Rear left seat height adjustment motor -V89**  
**Rear right seat height adjustment motor -V90**
  - ◆ Pull lock washers off drive shaft
- 3 **Rear left seat longitudinal adjustment motor -V87**  
**Rear right seat longitudinal adjustment motor -V88**
  - ◆ Pull lock washers off drive shaft
- 4 **Lifting bar**
- 5 **Seat frame**
- 6 **Backing plate for centre upholstery**

Protected by copyright. Copying for private or commercial purposes, in part or in whole, is not permitted unless authorised by AUDI AG. AUDI AG does not guarantee or accept any liability with respect to the correctness of information in this document. Copyright by AUDI AG.

## 5.4 - Connectors and relays in centre upholstery backing plate



- 1 Backrest heating, right**
  - ◆ 2-pin
  - ◆ Colour: Red
- 2 Backrest heating, left**
  - ◆ 2-pin
  - ◆ Colour: Green
- 3 Buckle, right**
  - ◆ 2-pin
  - ◆ Colour: Red
- 4 Buckle, left**
  - ◆ 2-pin
  - ◆ Colour: Green
- 5 Seat heating**
  - ◆ For rear seat, right
  - ◆ 4-pin
  - ◆ Colour: Red



Protected by copyright. Copying for private or commercial purposes, in part or in whole, is not permitted unless authorised by AUDI AG. AUDI AG does not guarantee or accept any liability with respect to the correctness of information in this document. Copyright by AUDI AG.

**6 Seat heating**

- ◆ For rear seat, left
- ◆ 4-pin
- ◆ Colour: Green

**7 Rear right seat height adjustment motor -V90**

- ◆ 2-pin
- ◆ Colour: Red

**8 Rear left seat height adjustment motor -V89**

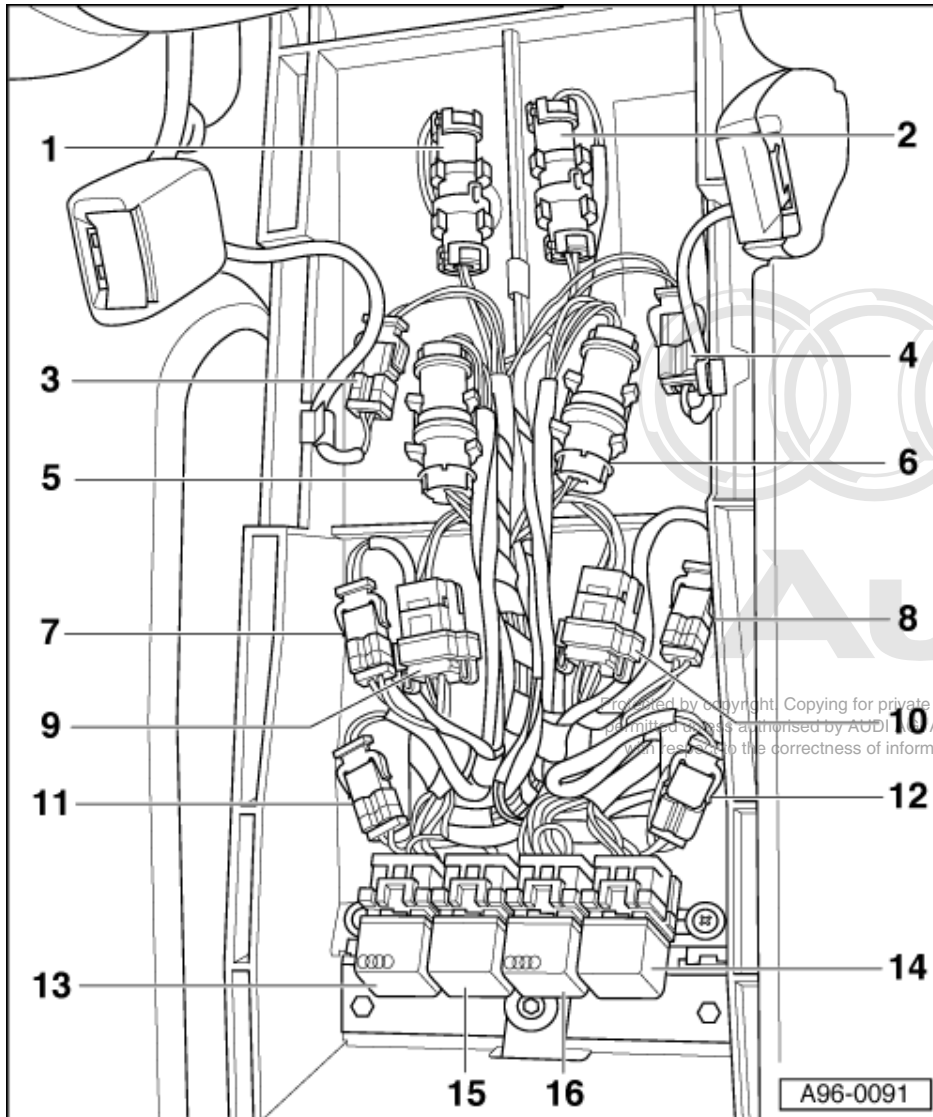
- ◆ 2-pin
- ◆ Colour: Black

**9 Voltage supply**

- ◆ For rear seat, right
- ◆ 6-pin
- ◆ Colour: Red

**10 Voltage supply**

- ◆ For rear seat, left
- ◆ 6-pin
- ◆ Colour: Green



Copyright © Audi AG. All rights reserved. Copying for private or commercial purposes, in part or in whole, is not permitted without the express written permission of Audi AG. Audi AG does not guarantee or accept any liability for the correctness of information in this document. Copyright by Audi AG.

**11 Rear right seat longitudinal adjustment motor -V88**

- ◆ 2-pin
- ◆ Colour: Blue

**12 Rear left seat longitudinal adjustment motor -V87**

- ◆ 2-pin
- ◆ Colour: Green

**13 Relay for lowering head restraint, right**

**14 Relay for lowering head restraint, left**

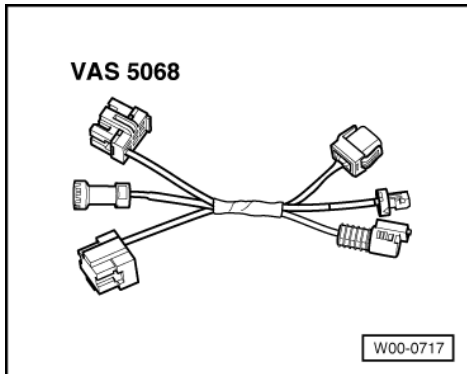
**15 Relay for automatic resetting, right**

**16 Relay for automatic resetting, left**



## 5.5 - Removing and installing electrically adjustable individual seats

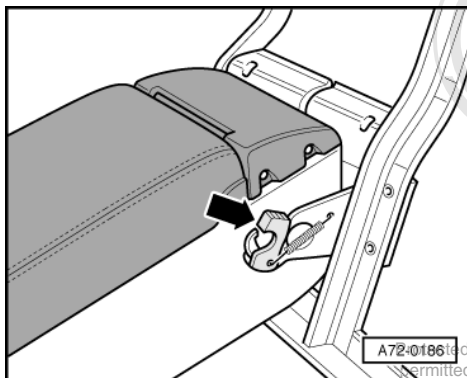
### Special tools, testers and auxiliary items required



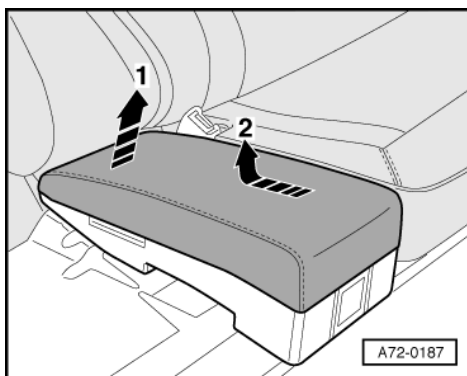
- ◆ VAS 5068

### Removing

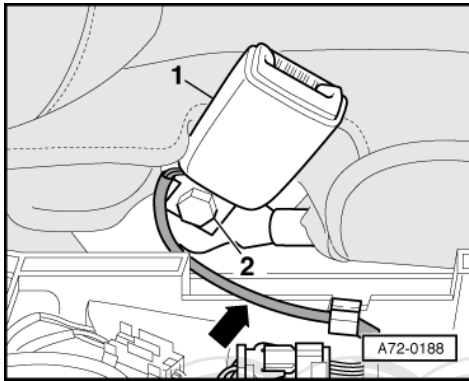
- Fold armrest forwards.



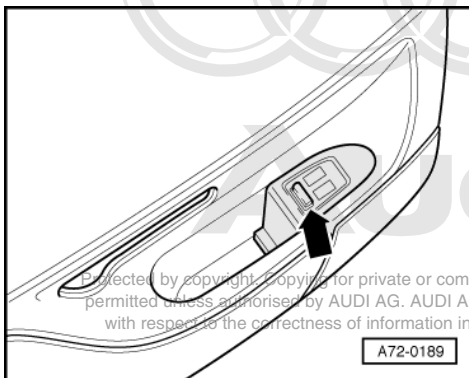
- -> Press back catch on either side of armrest in direction of arrow and detach armrest.



- -> Pull up rear edge of centre upholstery -arrow 1-.
- Slide centre upholstery rearwards -arrow 2- and detach.



- -> Screw out (50 Nm) bolt -2-.
- Detach buckle -1- from seat frame.
- Leave wire for belt-fastened sensor -arrow- connected.



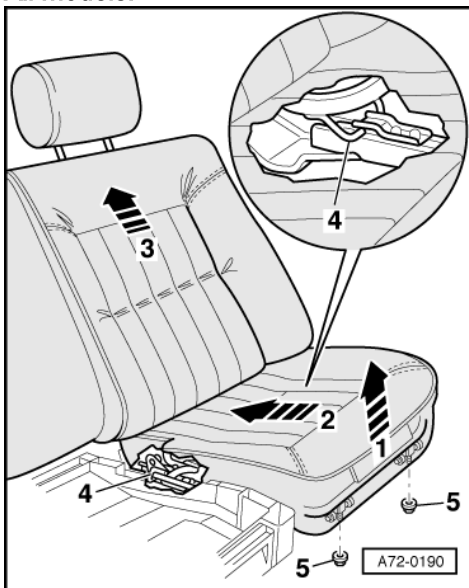
- -> Deactivate seat memory at switch -arrow- in door trim.
- Move seat as far forward and upwards as it will go.

**Vehicles with side airbag:**

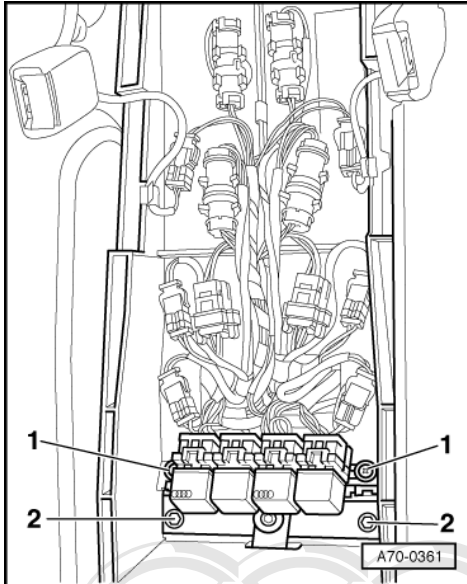
**Important**  
 Observe safety precautions for working on airbag =>

- Refer to coding on vehicles with encoded radio/radio navigation system (RNS); if necessary, interrogate.
- Detach battery earthing strap/cable and cover negative terminal.

**All models:**



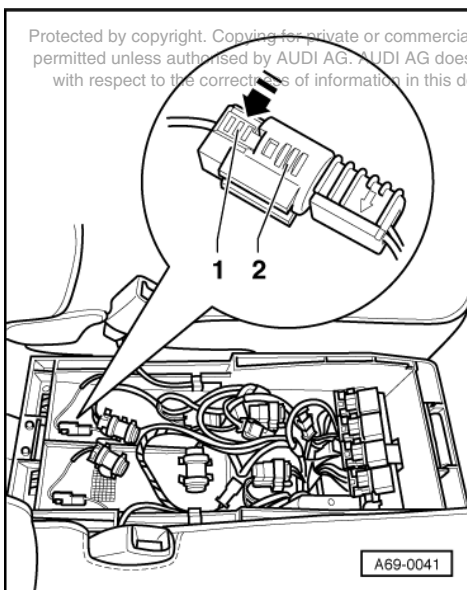
- -> Screw out (8 Nm) nuts -5- at front seat adjuster.
- Lift rear seat -arrow 1- until threaded pins of seat frame slip out of adjuster.
- Push rear seat rearwards -arrow 2- and at the same time slide backrest upwards -arrow 3-.
- Hooks -4- of rear seat must be detached for moving seat.
- After removal place seat with connected wiring harness on seat frame.



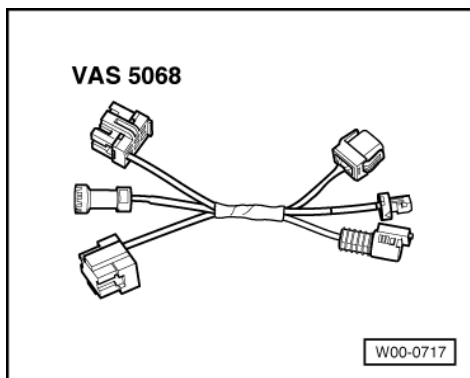
- -> Screw out bolts -2- at centre upholstery backing plate.
- Pull centre upholstery backing plate out of bulkhead retaining bracket.
- Screw out bolts -1- of relay holder.
- Detach relays with socket from relay holder.
  - Both relays on left for removal of left seat; both relays on right for removal of right seat.
- Release holders for connectors on rear of centre upholstery backing plate.

**Note:**

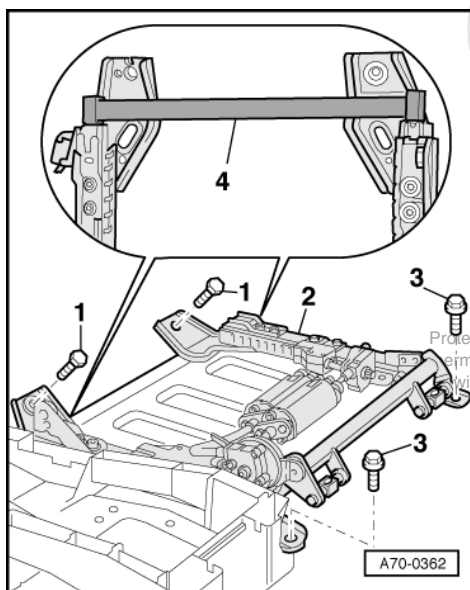
*The mechanic must electrostatically discharge him/herself before separating igniter and earth wiring (briefly touch closing wedge for door or body).*



- -> Press catch -1- and detach connector -2- for side airbag. Yellow on left/orange on right).
- Detach remaining seat connectors and ease wires out of centre upholstery backing plate.
  - Do not as yet take seat out of vehicle.



- -> Attach airbag connector of seat to mating piece on adapter VAS 5068.
- Connect appropriate coupling on VAS 5058 to any connector on seat.
- Airbag wire is now connected to seat "earth" and seat can be removed.



- -> Unscrew bolts -1-.
- Fit transportation safeguard -4- and use external power source to move back seat adjuster -2-.
- Screw out bolts -3- and detach seat adjuster.

**Important**

Take care not to turn seat adjuster on removal and installation, as this could lead to resultant damage.

**Notes:**

- ◆ Replacement parts are supplied with a transportation frame.
- ◆ Transportation frame can be used as assembly aid on removal and installation.

**Installing**

Installation is carried out in the reverse order; note the following:

**Vehicles with side airbag:**

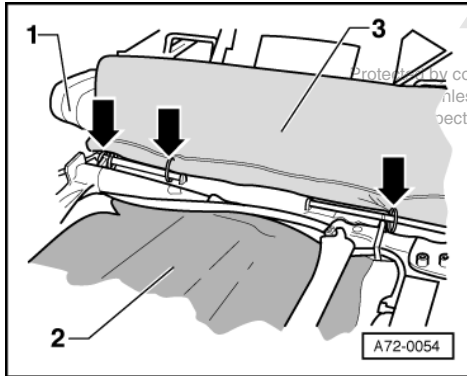
- Switch the ignition on.

**Important**

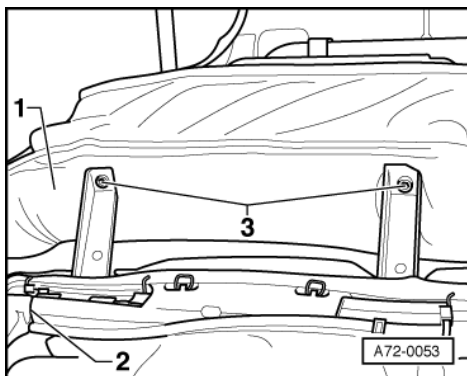
There must be no-one in the vehicle when the battery is being connected.

- Connect battery.

### 5.6 - Detach backrest and cushion with electrically adjustable individual seats

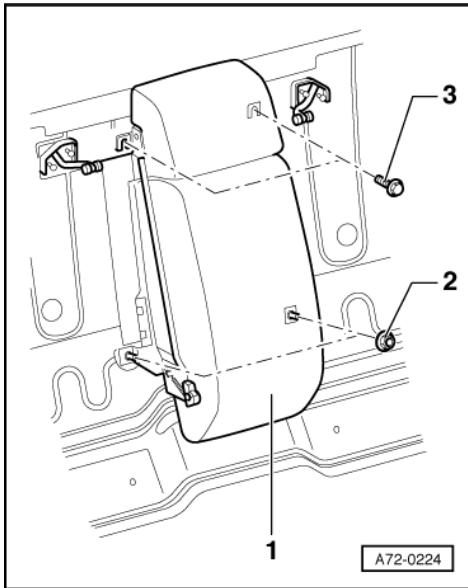


- -> Use side-cutting pliers to pinch off upholstery staples -arrows- at panel -3- between backrest -1- and cushion -2-.



- Cut open cable ties and take wire out of cushion.
- -> Screw out (10 Nm) bolts -3-.

## 5.7 - Removing and installing rear seat armrest



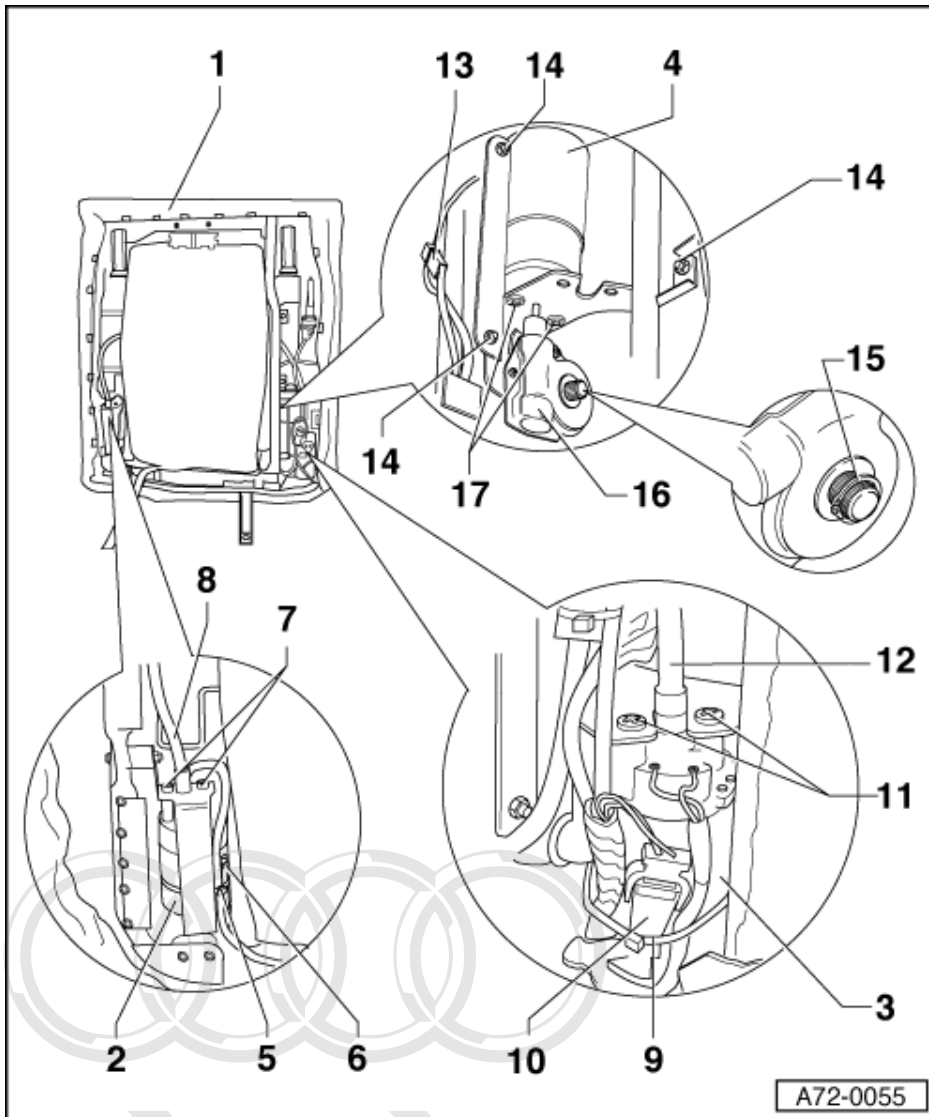
- Remove electrically adjustable individual seats => Page 369 .
- -> Screw out (8 Nm) bolts -3-.
- Screw out (22 Nm) nut -2-.



Audi

Protected by copyright. Copying for private or commercial purposes, in part or in whole, is not permitted unless authorised by AUDI AG. AUDI AG does not guarantee or accept any liability with respect to the correctness of information in this document. Copyright by AUDI AG.

## 5.8 - Removing and installing electric motors for backrest adjustment

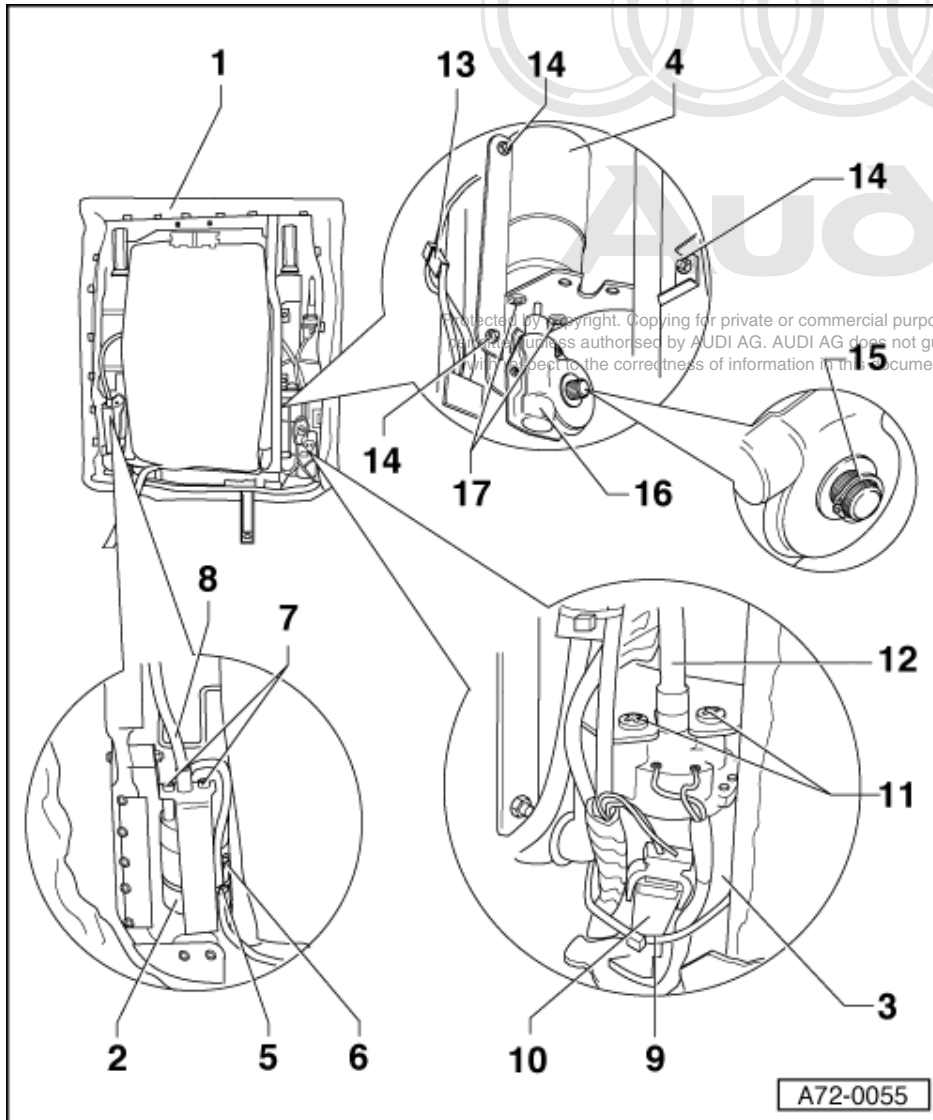


### 1 Rear seat backrest

- Remove rear bench seat with backrest => Page 369

### 2 Head restraint adjustment motor left -V133 Head restraint adjustment motor right -V134

- Unfasten cable tie -5-
- Detach connectors -6-
- Remove bolts -7- (2x).
- Push head restraint adjustment motor towards upholstery, pull out Bowden cable -8- and remove head restraint adjustment motor -2-.



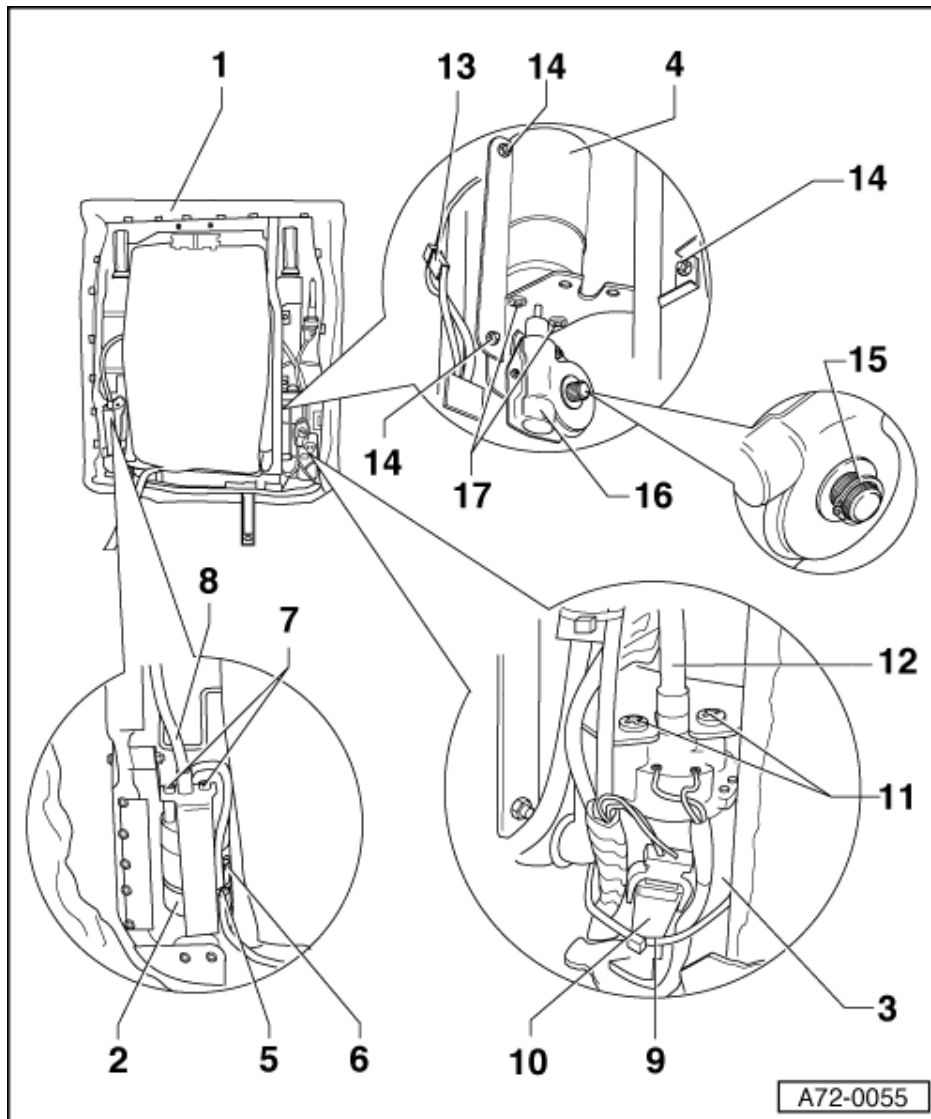
**3 Motor for lumbar support height adjustment left -V89  
Motor for lumbar support height adjustment right -V90**

- Unfasten cable tie -9-.
- Detach connectors -10-.
- Remove bolts -11- (2x).
- Remove lumbar support adjustment motor -3- and detach Bowden cable -12-.

**4 Left lumbar support adjustment motor -V87  
Motor for lumbar support adjustment motor right -V88**

- Remove lumbar adjustment motor -3- for height adjustment.
- Unfasten cable tie.
- Detach connectors -13-.
- Unscrew nuts -14- (3x).
- Remove circlip -15-.



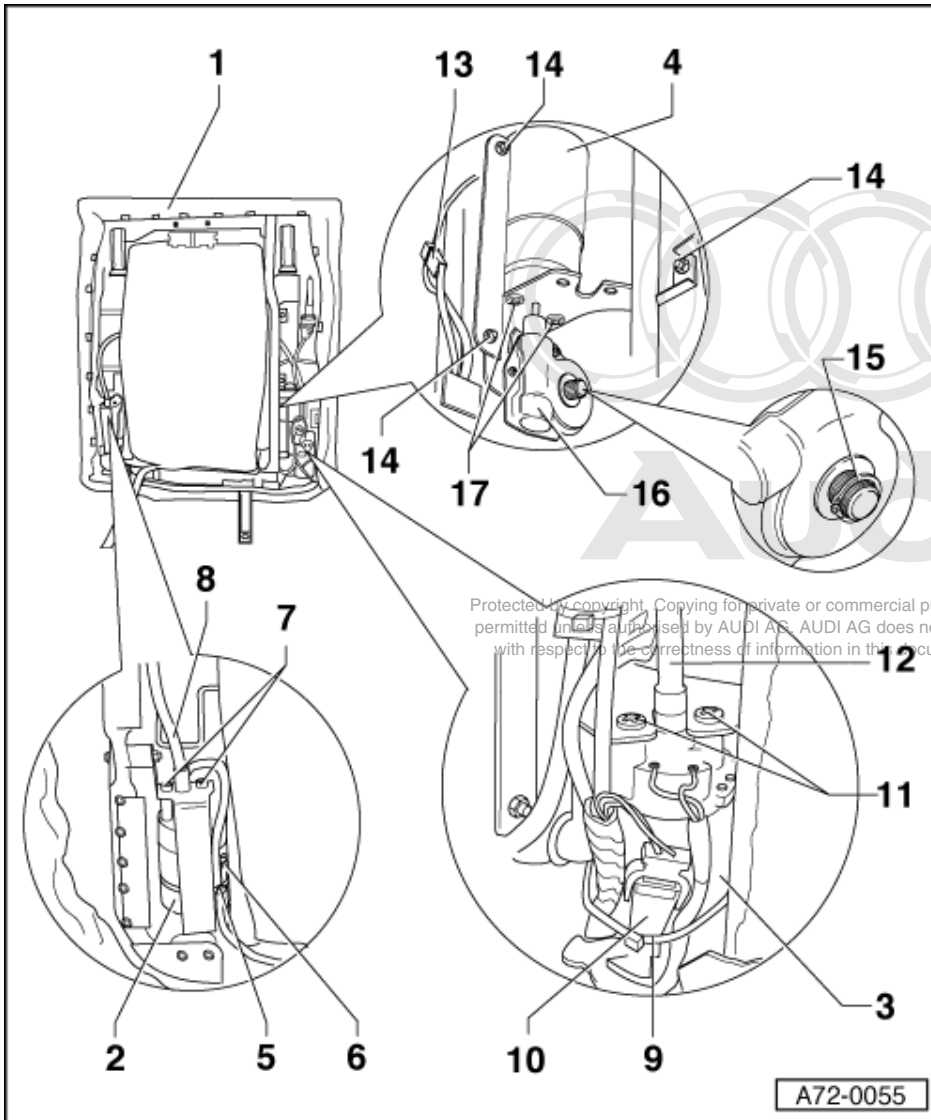


- Remove motor with reversing gear -16- from splines.
- Remove bolts -17- (2x).
- Remove lumbar control adjustment motor -4-.

- 5 Cable tie
- 6 Connector
- 7 Bolt - 6 Nm
  - ◆ 2 off
- 8 Bowden cable
- 9 Cable tie
- 10 Connector
- 11 Bolt - 6 Nm
  - ◆ 2 off



Protected by copyright. Copying for private or commercial purposes, in part or in whole, is not permitted unless authorised by AUDI AG. AUDI AG does not guarantee or accept any liability with respect to the correctness of information in this document. Copyright by AUDI AG.



A72-0055

- 12 Bowden cable**
- 13 Connector**
- 14 Nut - 6 Nm**
  - ◆ 3 off
- 15 Circlip**
- 16 Reversing gear**
- 17 Bolt - 6 Nm**
  - ◆ 2 off

## 74 - Seats - Upholstery, Covers

### 1 - Contact corrosion

#### 1.1 - Contact corrosion

Contact corrosion can occur if non approved fasteners are used on the vehicle (bolts, nuts, washers etc.).

For this reason, all the fasteners used in production are specially treated. These components can be identified by their greenish surface finish.

In addition to this, all rubber and plastic parts and all adhesives are made of non-electrically conductive materials.

If you are not sure whether used parts can be refitted, always fit new parts.

#### Important

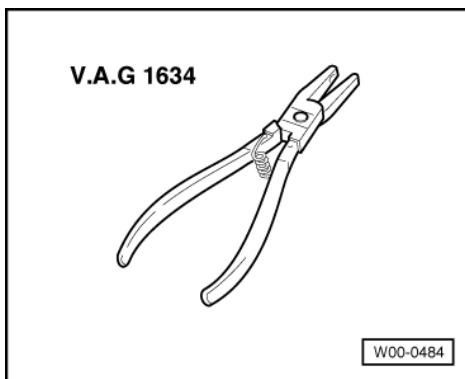
- ◆ **Use only genuine Audi A8 Parts.**
- ◆ **Accessories must be approved by AUDI AG.**
- ◆ **Damage resulting from contact corrosion is not covered by the warranty.**

Protected by copyright. Copying for private or commercial purposes, in part or in whole, is not permitted unless authorised by AUDI AG. AUDI AG does not guarantee or accept any liability with respect to the correctness of information in this document. Copyright by AUDI AG.

### 2 - Front seat covers and upholstery

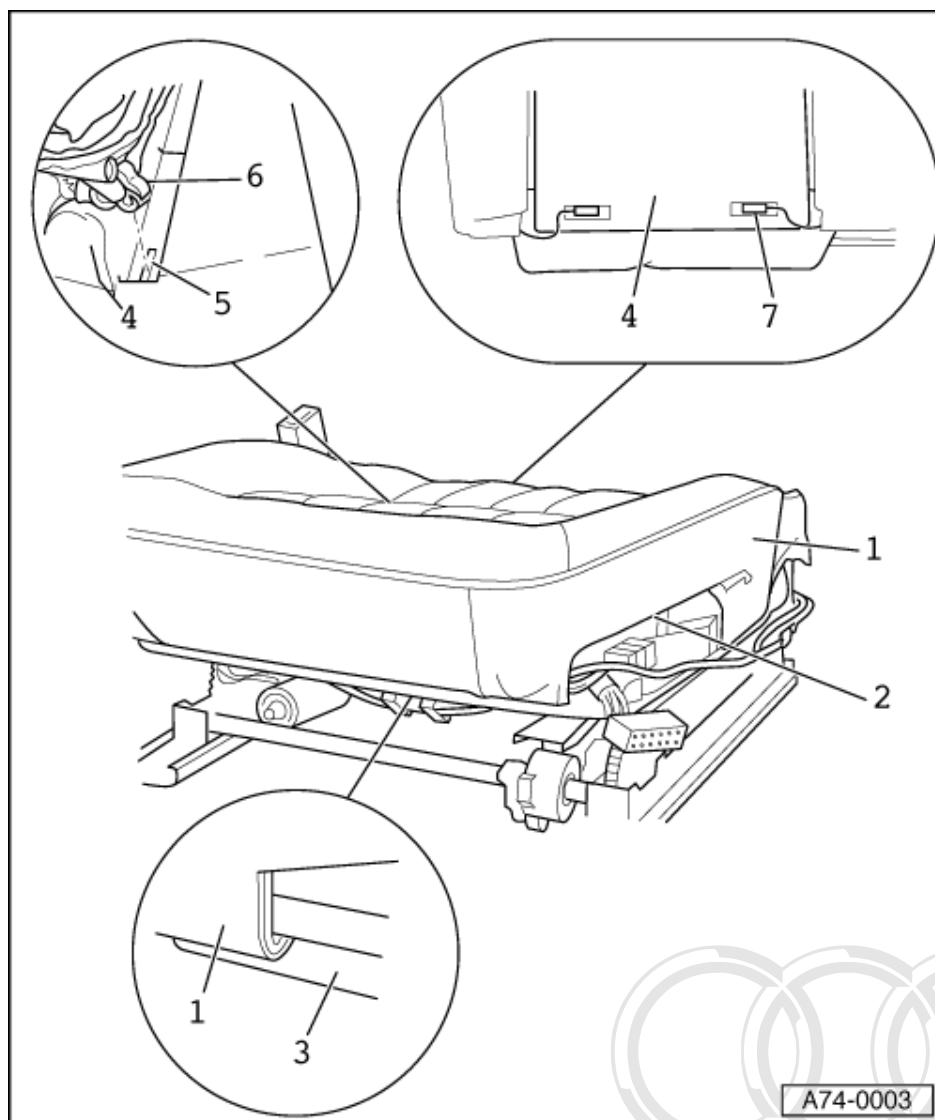
#### 2.1 - Front seat covers and upholstery

Special tools, testers and auxiliary items required



- ◆ V.A.G 1634

## 2.2 - Removing and installing seat cover



### Important

- ◆ Observe safety precautions for working on airbag =>
- ◆ **282**

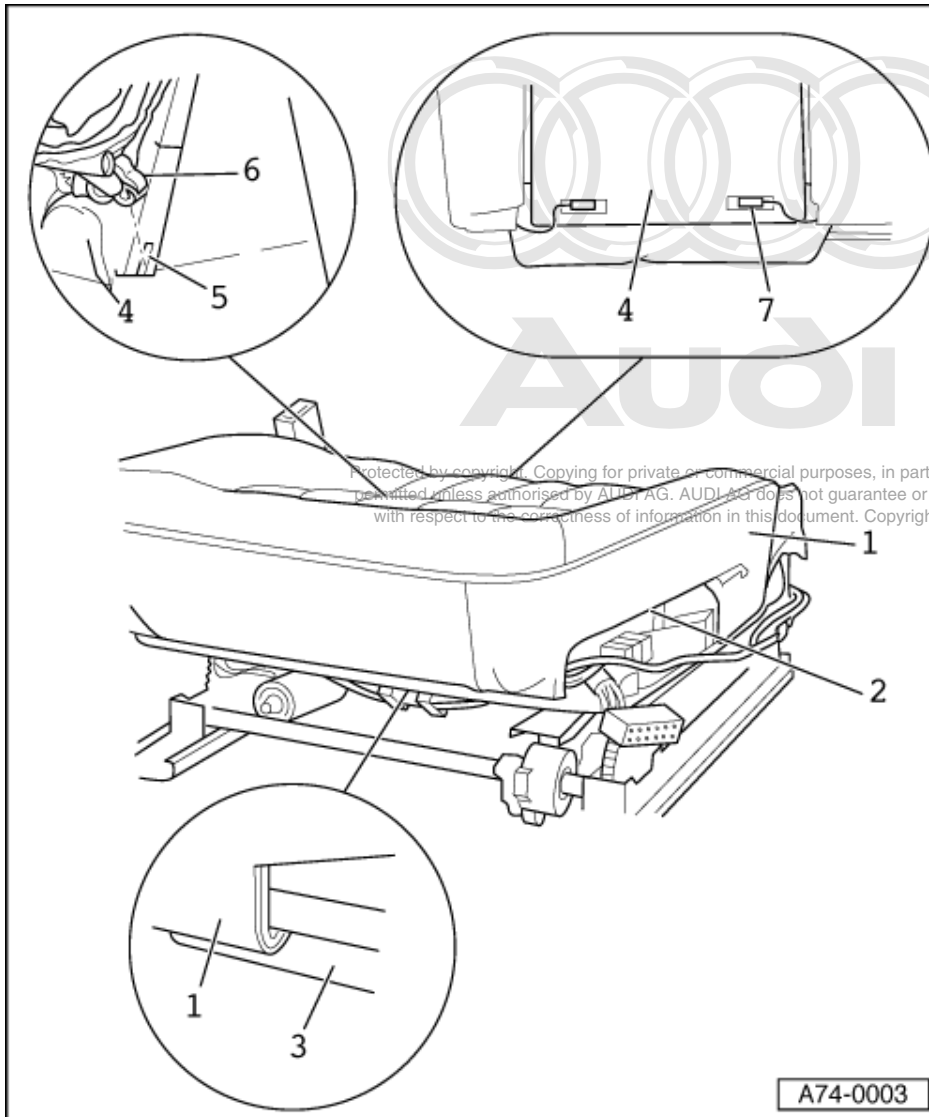
- Remove front seat => Page **281** .
- Move backrest to most rearward position.

Protected by copyright. Copying for private or commercial purposes, in part or in whole, is not permitted unless authorised by AUDI AG. AUDI AG does not guarantee or accept any liability with respect to the correctness of information in this document. Copyright by AUDI AG.

### Note:

*Backrest does not have to be detached from seat frame.*

- Remove outer and inner seat frame trim => Page **283** .



Protected by copyright. Copying for private or commercial purposes, in part or in whole, is not permitted unless authorised by AUDI AG. AUDI AG does not guarantee or accept any liability with respect to the correctness of information in this document. Copyright by AUDI AG.

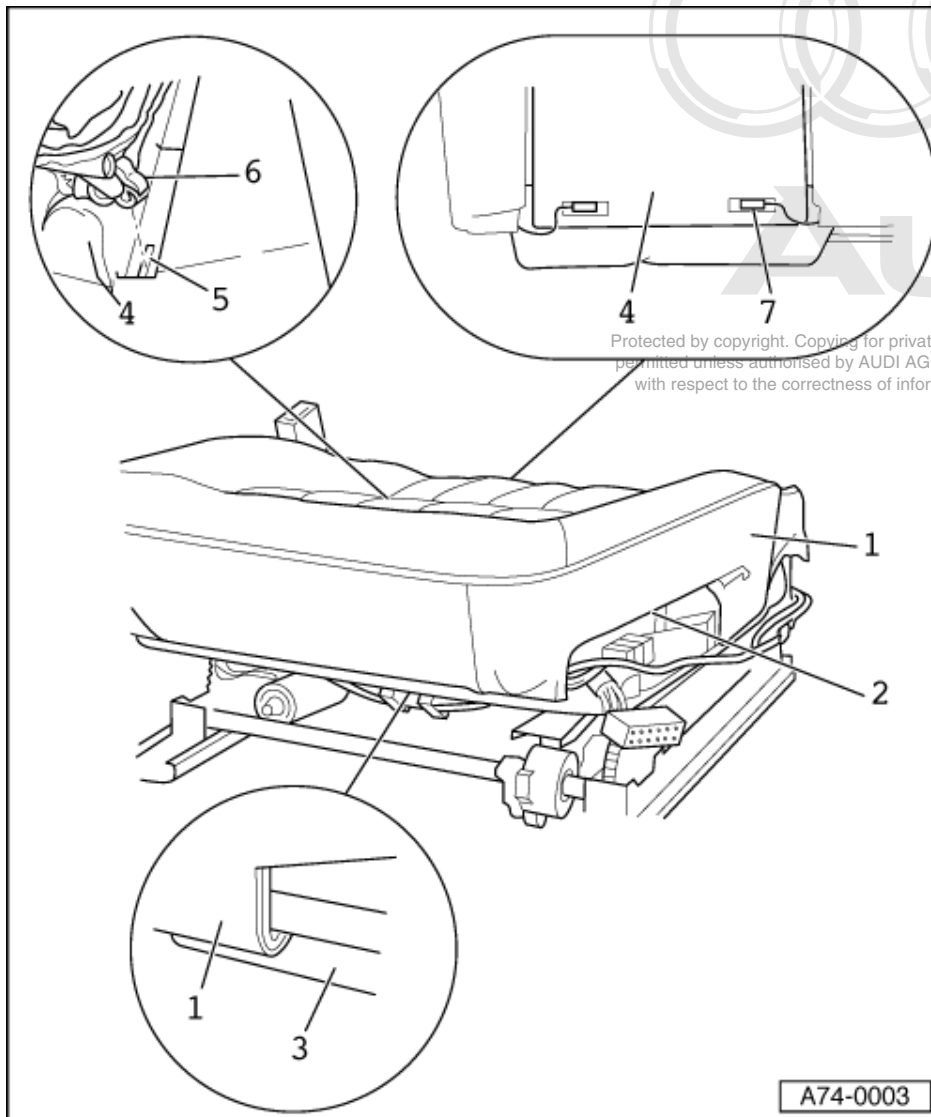
### 1 Seat cover

- ◆ Removing:
  - Detach fastening strip of seat cover all round seat frame -Item 3 -.
  - Detach seat cover from rear guide strip.
  - Bend open upholstery hooks -Item 2 -.
  - Fold cover upwards.
  - Detach connectors -Item 7 - of seat heating.
  - Detach clips -Item 6 - from upholstery wire -Item 5 -.
- ◆ If seat cover is replaced use old cover as a pattern for cutting out new one.

### 2 Upholstery hooks

- ◆ 3 off

### 3 Seat frame



Protected by copyright. Copying for private or commercial purposes, in part or in whole, is not permitted unless authorised by AUDI AG. AUDI AG does not guarantee or accept any liability with respect to the correctness of information in this document. Copyright by AUDI AG.

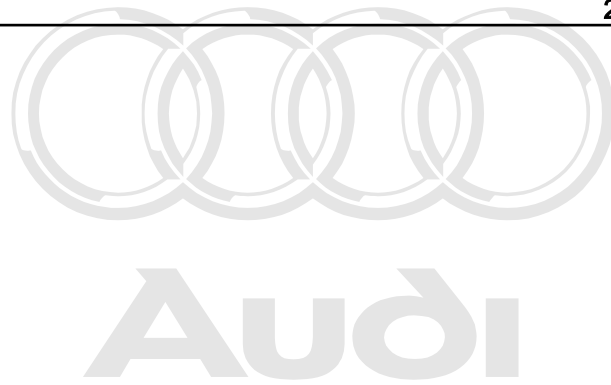
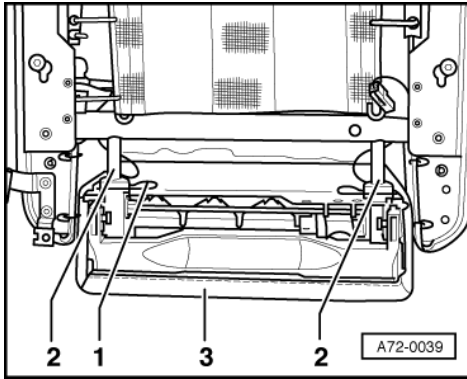
- 4 Seat upholstery**
- 5 Upholstery wire**
- 6 Clamp**
  - ◆ Bend open with screwdriver and detach from upholstery wire -Item 5 -
- 7 Connector**
  - ◆ For seat heating element
  - ◆ Insert in recesses provided on installation

### 2.3 - Removing and installing seat cover with sports seat

#### Removing

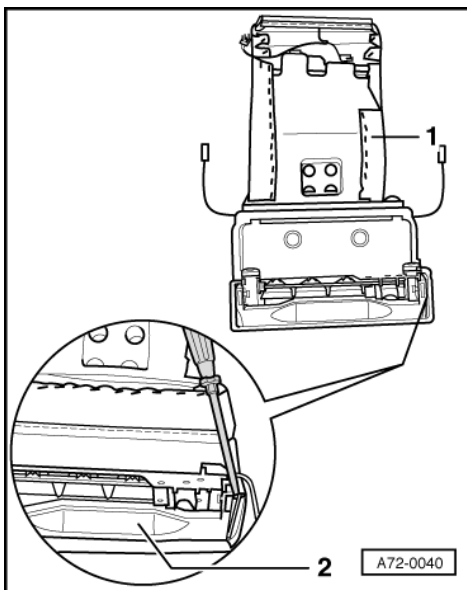
**Important**  
 Observe safety precautions for working on airbag =>

- Remove front seat => Page **281** .

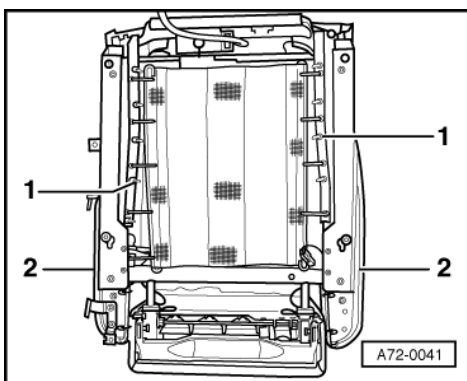


Protected by copyright. Copying for private or commercial purposes, in part or in whole, is not permitted without the express written consent of AUDI AG. AUDI AG does not guarantee or accept any liability with respect to the correctness of information in this document. Copyright by AUDI AG.

- -> Detach fasteners -1- on left and right for seat extension.
- Pull seat extension -3- out of retaining rods -2-.
- Fold up seat extension with seat upholstery and lever out of clamping slot on back of seat frame.



- -> Lever seat cover -2- out of fastening strip of seat extension.
- Pinch off staples -1- and detach seat cover.

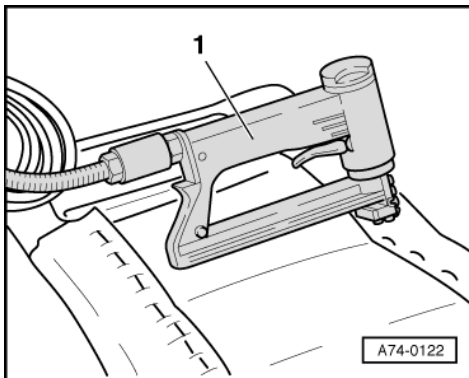


- -> Lever seat cover -2- for side cushions out of clamping slot on side.
- Pinch off staples -1- and pull off seat cover over side cushions.

### Installing

Installation is carried out in the reverse order; note the following:

- Use upholstery stapler V.A.G 1634 to attach staples to cover for side upholstery.



- -> Use commercially available upholstery staple gun -1- to fasten cover.
- Make use of upholstery staples as specified by staple gun manufacturer.

**Important**

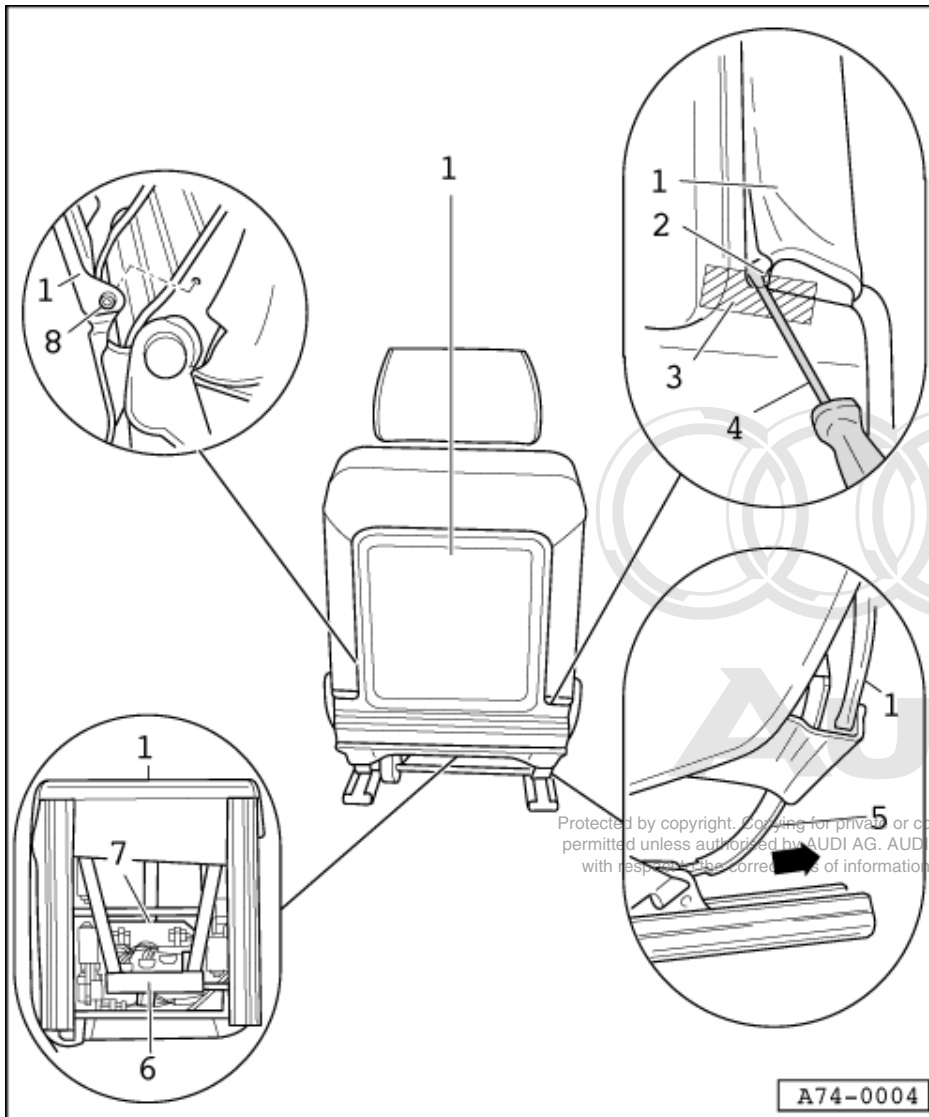
Observe seat installation instructions for vehicles with side airbag =>Page **282** .



Protected by copyright. Copying for private or commercial purposes, in part or in whole, is not permitted unless authorised by AUDI AG. AUDI AG does not guarantee or accept any liability with respect to the correctness of information in this document. Copyright by AUDI AG.



## 2.4 - Removing and installing backrest cover



Protected by copyright. Copying for private or commercial purposes, in part or in whole, is not permitted unless authorized by AUDI AG. AUDI AG does not guarantee or accept any liability with respect to the correctness of information in this document. Copyright by AUDI AG.

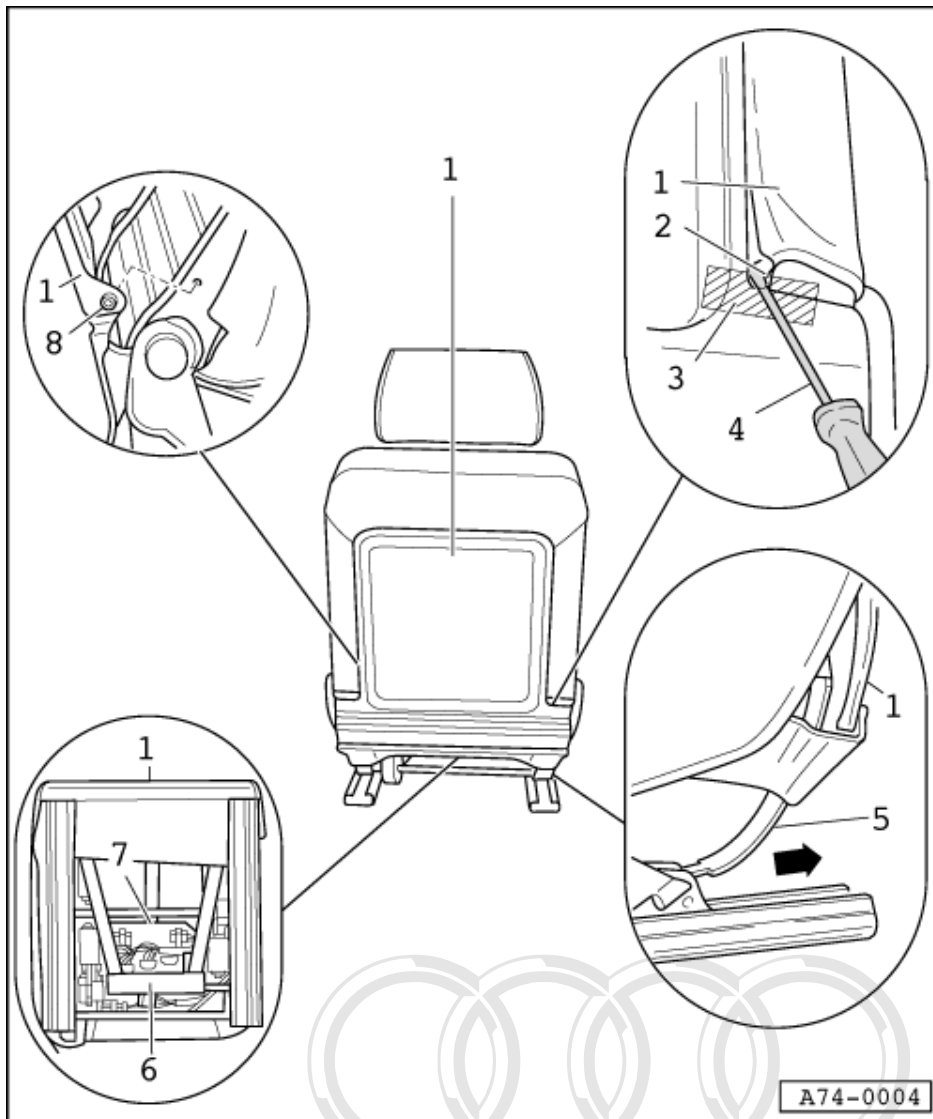
- Remove front seat =>Page 281 .

### Important

- ◆ Observe safety precautions for working on airbag =>
- ◆ 282

### 1 Backrest trim

- ◆ Removing:
  - Fold seat rearwards, detach retaining straps -Item 6 - and -Item 7 -.
  - Pull cover piece -Item 5 - in direction of arrow out of clip.



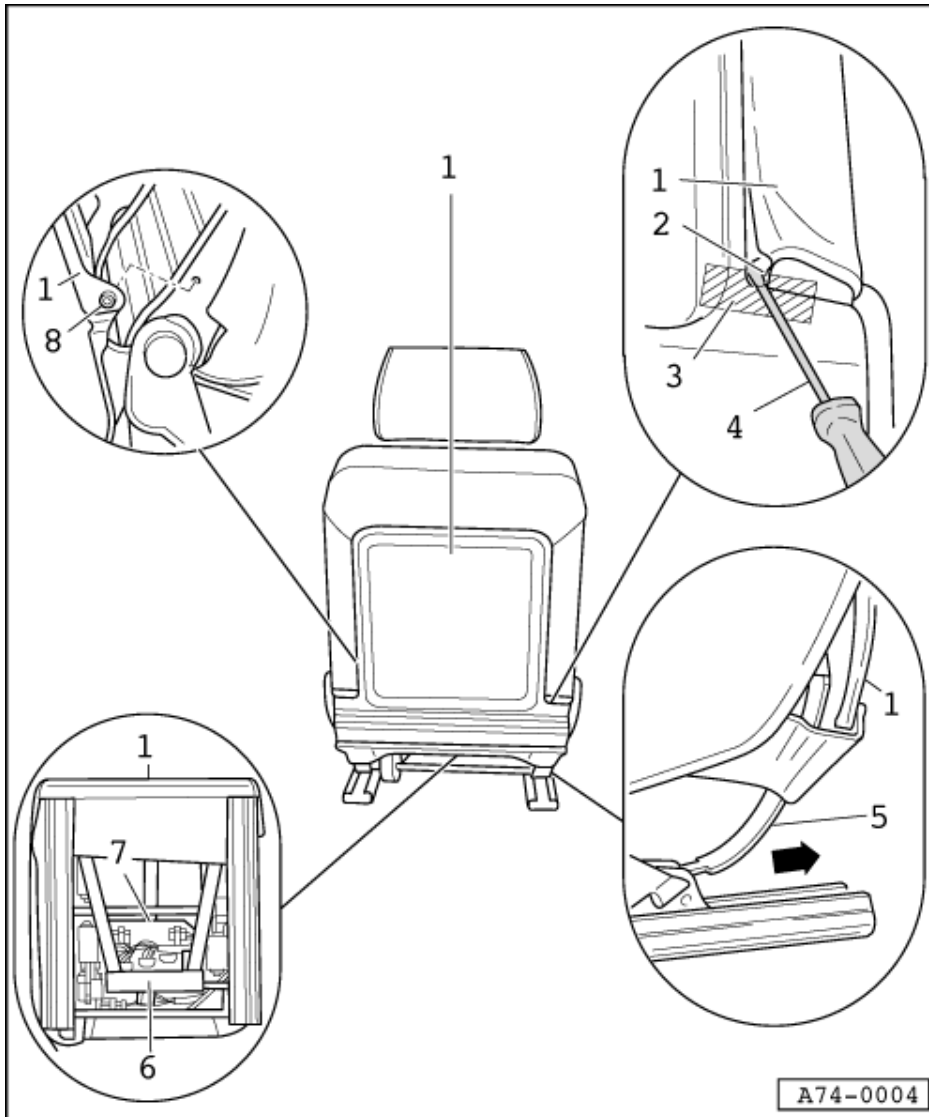
A74-0004

- Apply strong fabric-reinforced adhesive tape -Item 3 - as protection.
- Insert screwdriver -Item 4 - under piping -Item 2 - and carefully lever out.

**Notes:**

- ◆ Only lever out piping -Item 2 -.
- ◆ Do not insert screwdriver under backrest panel as this would tear out backrest cover.
  - Carefully detach entire length of piping.
  - Remove bolts -Item 8 -.
  - Ease cover piece -Item 5 - out of backrest panel.

**2 Piping for backrest cover**



**3 Fabric-reinforced adhesive tape**

- ◆ 2 off
- ◆ Apply to protect backrest panel

**4 Screwdriver**

**5 Cover**

- ◆ 2 off
- ◆ Held in position in runner by clips
- ◆ Routed in backrest panel and engaged

**6 Strap**

**7 Strap**

**8 Bolt - 3 Nm**

- ◆ 2 off



Audi

Protected by copyright. Copying for private or commercial purposes, in part or in whole, is not permitted unless authorised by AUDI AG. AUDI AG does not guarantee or accept any liability with respect to the correctness of information in this document. Copyright by AUDI AG.

## 2.5 - Removing and installing backrest cover

### Removing

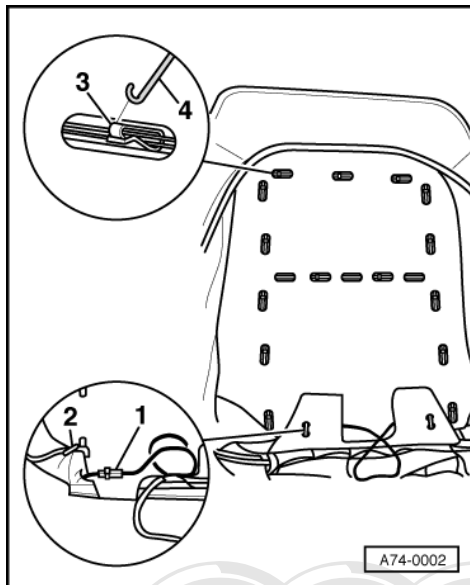
Important  
Observe safety precautions for working on airbag =>

- Remove front seat => Page 281 .
- Move backrest to most rearward position.

#### Note:

*Backrest does not have to be detached from seat frame.*

- Remove head restraints- => Page 333 .
- Remove backrest panel => Page 385 .
- Removing head restraint guides => Page 333 .
- Detach fastening strip of seat cover from backrest at bottom.
- Lift off backrest cover with upholstery.



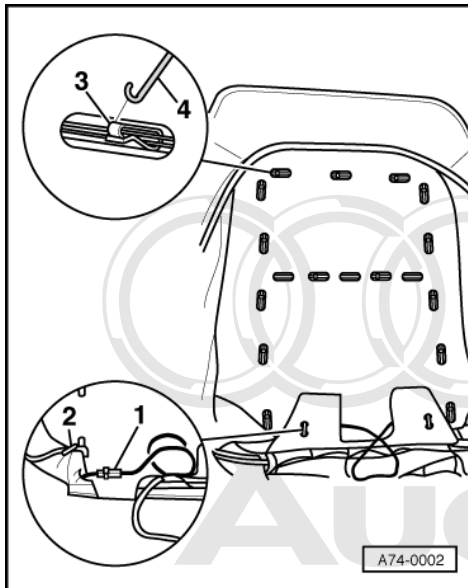
- -> If applicable, detach connector -1- under trim for seat frame. This involves removing outer seat frame trim => Page 283 .
- Remove upholstery staple -2-.
- Unfasten clips -3-.
- Take backrest upholstery out of backrest cover.

### Installing

Installation is carried out in the reverse order; note the following:

- Slip backrest upholstery into backrest cover.

Protected by copyright. Copying for private or commercial purposes, in part or in whole, is not permitted unless authorised by AUDI AG. AUDI AG does not guarantee or accept any liability with respect to the correctness of information in this document. Copyright by AUDI AG.



- -> Fasten clips 3 from rear through opening with improvised hook -4-

permitted unless authorised by AUDI AG. AUDI AG does not guarantee or accept any liability with respect to the correctness of information in this document. Copyright by AUDI AG.

**Important**

- ◆ Observe installation instructions for vehicles with side airbag =>Page **142** .
- ◆ In order to guarantee the function of the side airbag the new upholstery clips must be entered at the same place as before their removal, when working at the backrest cover.
- ◆ Use is only to be made of backrest covers released for side airbags by AUDI AG.
- ◆ Observe seat installation instructions for vehicles with side airbag =>Page **282** .

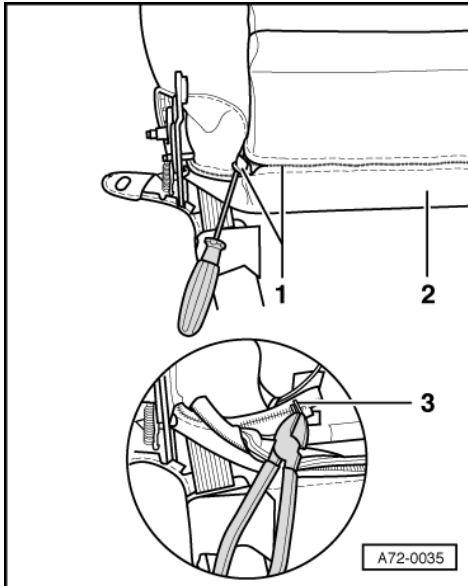
## 2.6 - Removing and installing backrest cover and upholstery with sports seat

### Removing

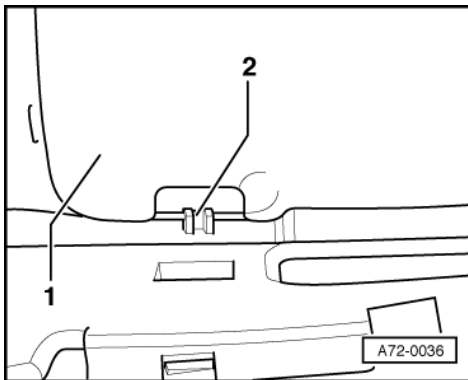
**Important**

Observe safety precautions for working on airbag =>

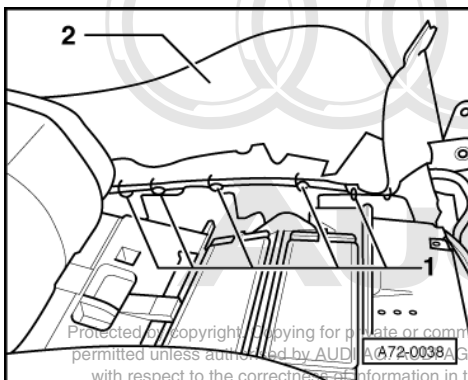
- Remove front seat => Page **281** .
- Remove backrest => Page **285** .
- Remove head restraints- => Page **294** .
- Remove backrest panel => Page **385** .
- Removing head restraint guides => Page **294** .
- If applicable, detach connector under trim for seat frame. This involves removing outer seat frame trim => Page **283** .



- -> Pull zip -1- out of backrest cover -2-.
- Pinch off upholstery staples -3- and open zip.



- -> Lift backrest centre section -1- and detach it from backrest catch -2-.
- Pinch off staples at cover for backrest centre section and detach cover.

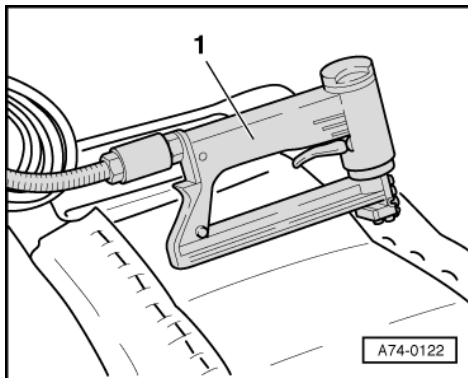


- -> Pinch off staples -1- at cover -2- for side upholstery.
- Pull up cover over side upholstery until tensioning strap becomes visible.
- Detach tensioning strap and detach cover.

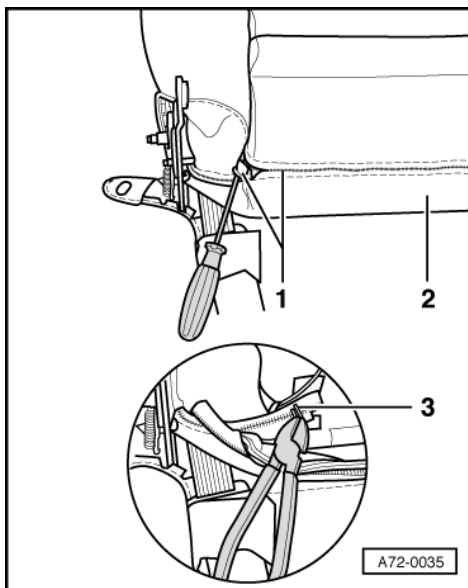
### Installing

Installation is carried out in the reverse order; note the following:

- Use upholstery stapler V.A.G 1634 to attach staples to cover for side upholstery.



- -> Use commercially available upholstery staple gun -1- to fasten cover for backrest centre section.
- Make use of upholstery staples as specified by staple gun manufacturer.



- -> Secure zip -1- with upholstery needle and thread.

#### Important

- ◆ Observe installation instructions for vehicles with side airbag =>Page **143** .
- ◆ In order to guarantee the function of the side airbag the new upholstery clips must be entered at the same place as before their removal, when working at the backrest cover.
- ◆ Use is only to be made of backrest covers released for side airbags by AUDI AG.
- ◆ Observe seat installation instructions for vehicles with side airbag =>Page **282** .

## 2.7 - Replacing seat heater element

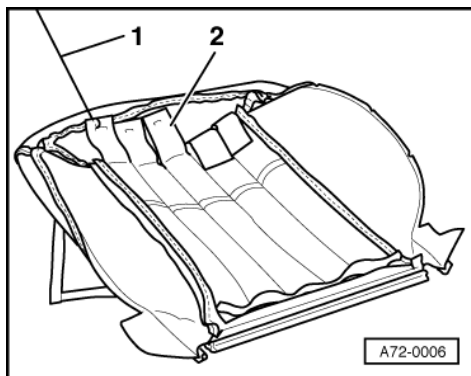
#### Important

Observe safety precautions for working on airbag =>

- Remove front seat => Page **281** .

### Removing and installing seat heating element (inserted in cover)

- Remove seat cover =>Page 380 .



- -> Pull seat heating element -2- out of seat cover.
- Insert improvised hook -1- through openings in seat cover.
- Engage new seat heating element in hook and pull in.
- Fold back projecting material of heating element after pulling through.

#### Notes:

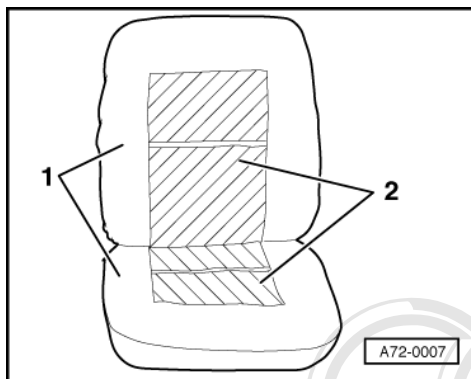
- ♦ Ensure that heating element is neither kinked nor crumpled when pulling it into position.
- ♦ Ensure that projecting material of seat heating is not crumpled when fitting seat cover.

### Removing and installing seat heating element (bonded)

#### Important

On vehicles with side airbag heating element for passenger's seat is combined with seat-occupied sensor and can only be replaced together with it => "Removing and installing seat-occupied sensor", Page 151 .

- Remove seat cover => Page 380 .



- Cut out wires of old seat heating element as far as possible.
- -> Bond new seat heating element (hatched area) onto old seat heating element -2-.

#### Important

Observe seat installation instructions for vehicles with side airbag =>Page 282 .

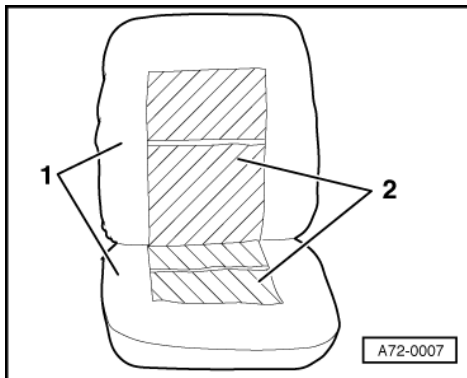


## Removing and installing seat side cushion heating element

### Important

On vehicles with side airbag seat side cushion heating element for passenger's seat is combined with seat-occupied sensor and can only be replaced together with it => "Removing and installing seat-occupied sensor", Page 151 .

- Remove seat cover =>Page 380 .
- Cut out wires of old seat heating element as far as possible.



- -> Bond new seat side cushion heating element onto old seat side cushion heating element -1-.

### Important

Observe seat installation instructions for vehicles with side airbag =>Page 282 .

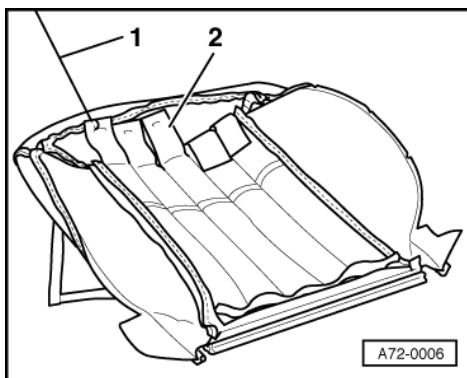
## 2.8 - Replacing seat back heater element

### Important

Observe safety precautions for working on airbag =>

- Remove front seat => Page 281 .
- Remove backrest cover => Page 388 .

### Removing and installing backrest heating element (inserted in cover)



- -> Pull backrest heating element -2- out of backrest cover.
- Insert improvised hook -1- through openings in backrest cover.
- Engage new backrest heating element in hook and pull in.
- Fold back projecting material of heating element after pulling through.

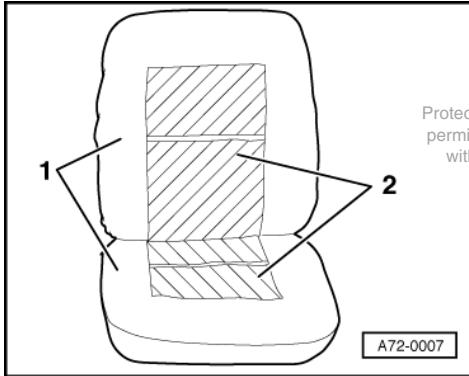
Protected by copyright. Copying for private or commercial purposes, in part or in whole, is not permitted unless authorised by AUDI AG. AUDI AG does not guarantee or accept any liability with respect to the correctness of information in this document. Copyright by AUDI AG.

**Notes:**

- ◆ Ensure that heating element is neither kinked nor crumpled when pulling it into position.
- ◆ Ensure that projecting material of backrest heating is not crumpled when fitting seat cover.

**Removing and installing backrest heating element (bonded)**

- Cut out wires of old backrest heating element as far as possible.



Protected by copyright. Copying for private or commercial purposes, in part or in whole, is not permitted unless authorised by AUDI AG. AUDI AG does not guarantee or accept any liability with respect to the correctness of information in this document. Copyright by AUDI AG.

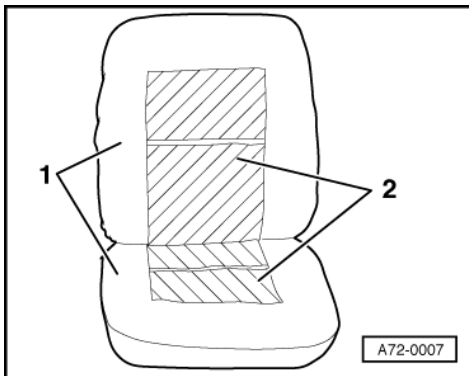
- -> Bond new backrest heating element (hatched area) onto old backrest heating element -2-.

**Important**

Observe seat installation instructions for vehicles with side airbag =>Page **282** .

**Removing and installing backrest side cushion heating element**

- Remove backrest cover => Page **388** .
- Cut out wires of old backrest heating element as far as possible.



- -> Bond new backrest side cushion heating element onto old backrest side cushion heating element -1-.

**Important**

Observe seat installation instructions for vehicles with side airbag =>Page **282** .

## 3 - Rear seat covers and upholstery

### 3.1 - Rear seat covers and upholstery

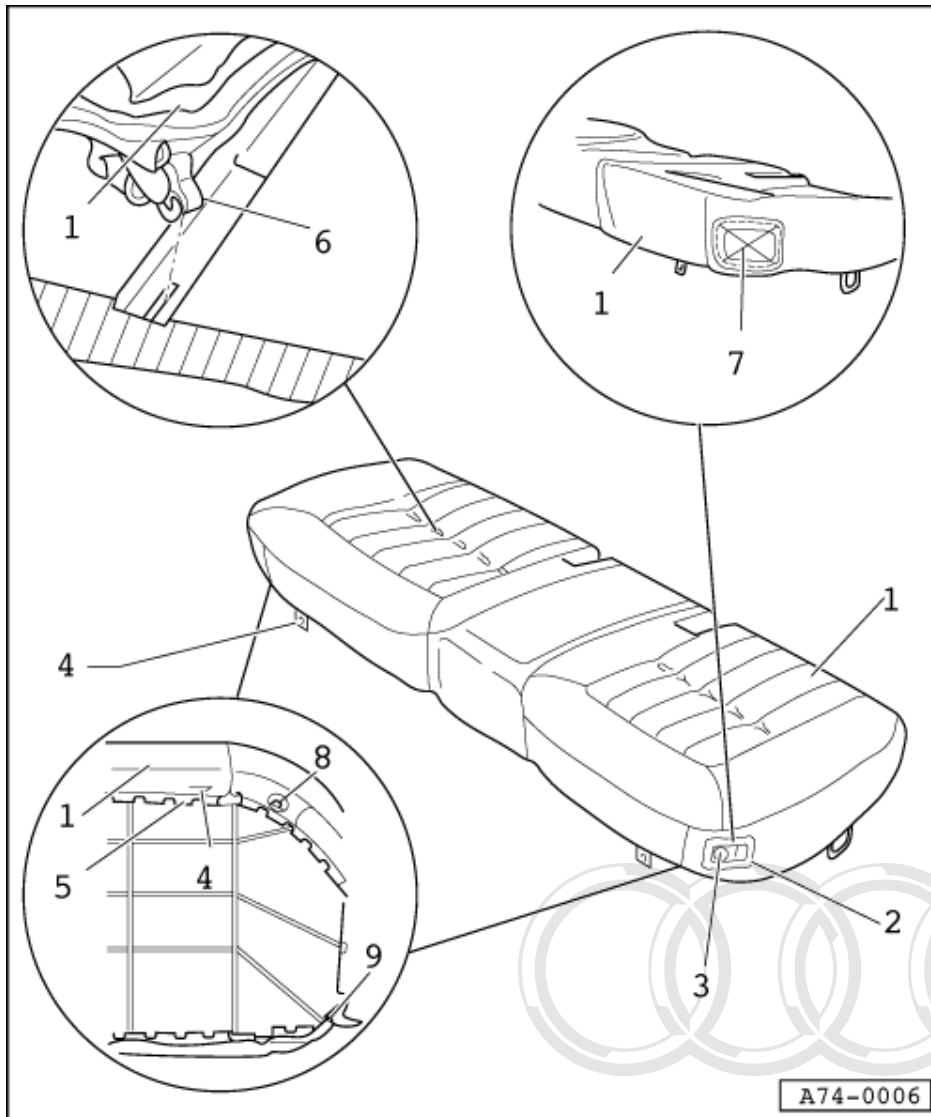
#### Special tools, testers and auxiliary items required



- ◆ V.A.G 1634

Protected by copyright. Copying for private or commercial purposes, in part or in whole, is not permitted unless authorised by AUDI AG. AUDI AG does not guarantee or accept any liability with respect to the correctness of information in this document. Copyright by AUDI AG.

### 3.2 - Removing and installing seat cover and upholstery



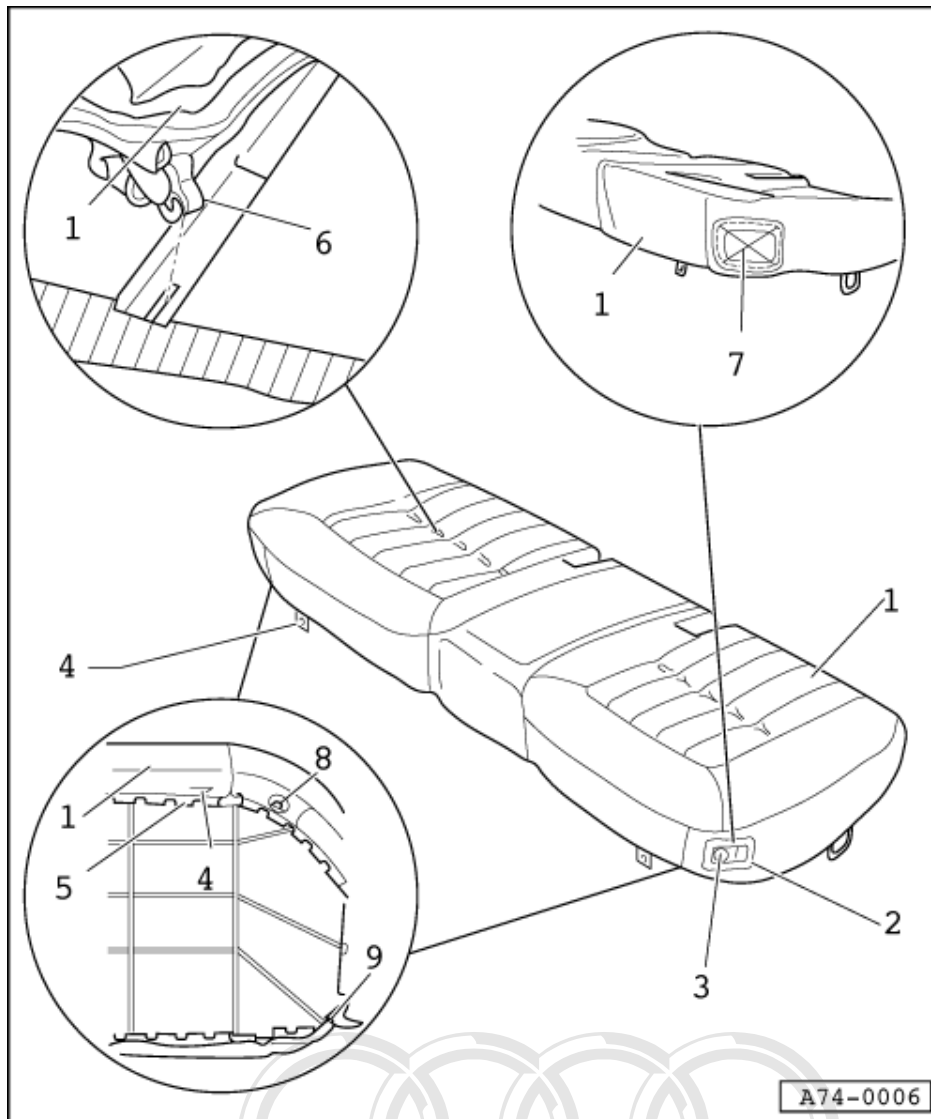
#### Important

- Remove rear bench seat =>Page 330.

Protected by copyright. Copying for private or commercial purposes, in part or in whole, is not permitted unless authorised by AUDI AG. AUDI AG does not guarantee or accept any liability with respect to the correctness of information in this document. Copyright by AUDI AG.

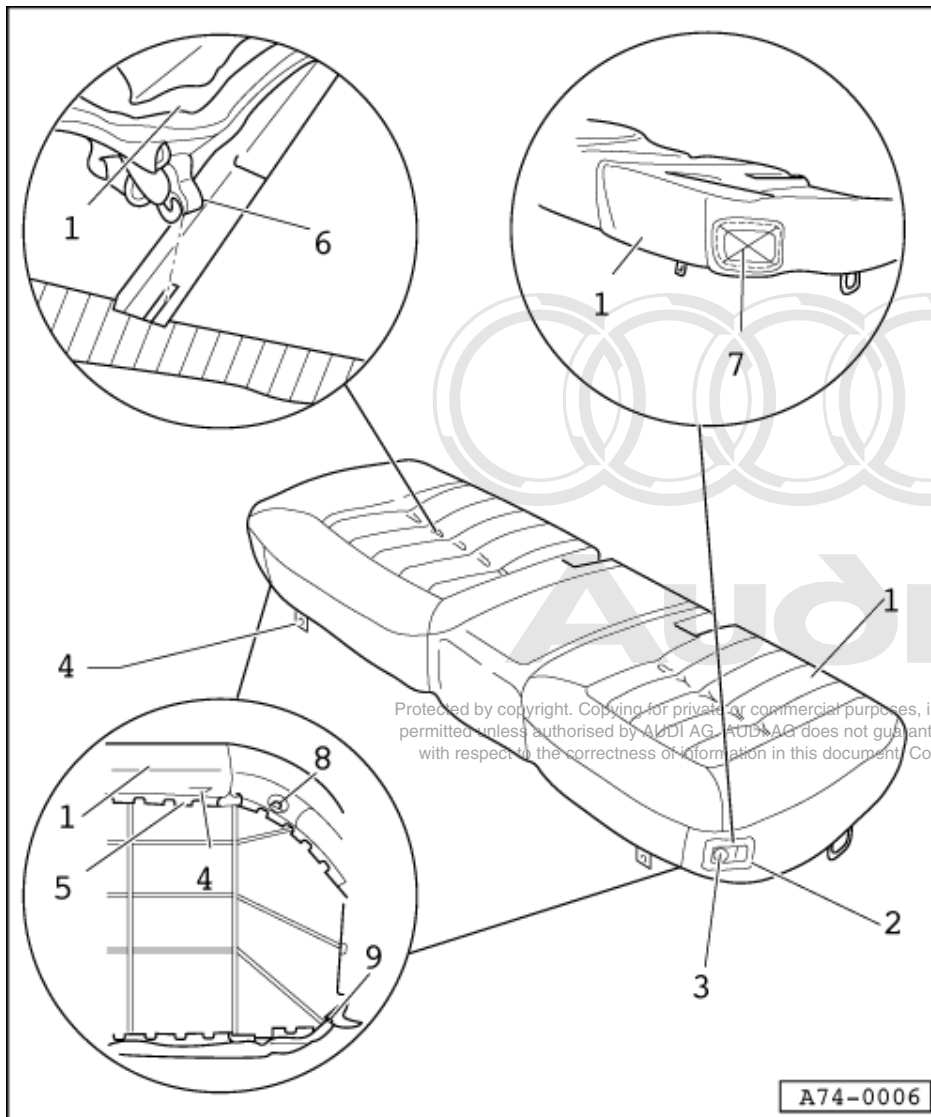
#### 1 Seat cover

- ◆ Removing:
  - Lever off cover piece -Item 2 -.
  - Detach fastening strip -Item 5 -.
  - Unfasten staples -Item 9 -.
  - Fold cover upwards.
  - Detach clips -Item 6 -.
  - Detach cover and upholstery.



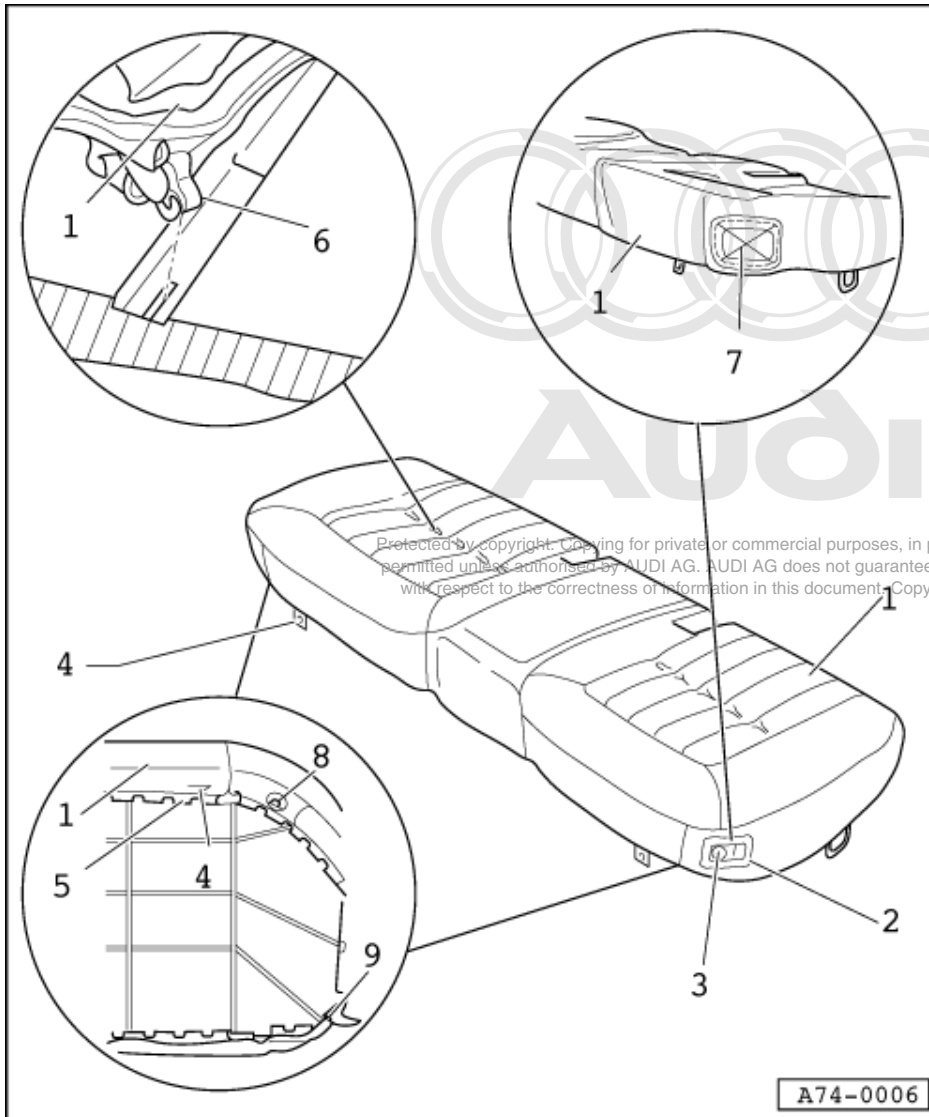
- ◆ Installing:
- Upholstery for rear bench seat has to be inserted into seat frame guides.
- ◆ Replacing:
- When fitting new cover openings for seat fastening tabs -Item 4 - have to be made.
- Cut out openings -Item 8 - for seat catches.
- Make cross cut -Item 7 - on vehicles with electrical optional extras.
- Do not cut off triangles produced on cutting. Triangles are used to secure cover piece -Item 2 - on installation.
- Do not install switch -Item 3 - until cover has been cut

Protected by copyright. Copying for private or commercial purposes, in part or in whole, is not permitted unless authorised by AUDI AG. AUDI AG does not guarantee or accept any liability with respect to the correctness of information in this document. Copyright by AUDI AG.



Protected by copyright. Copying for private or commercial purposes, in part or in whole, is not permitted unless authorised by AUDI AG. AUDI AG does not guarantee or accept any liability with respect to the correctness of information in this document. Copyright by AUDI AG.

- 2 Cover**
- 3 Switch**
  - ◆ 2 off with electrical optional extras
- 4 Seat fastening tabs**
  - ◆ 2 off
- 5 Fastening strip**
  - ◆ Engaged all round seat frame
- 6 Bracket**
- 7 Cross cut**
  - ◆ Establish corners of switch cut-out and make both cuts diagonally from corner to corner.
  - ◆ Do not cut off triangles produced on cutting. Triangles are used to secure cover piece -Item 2 - on installation.



**8 Catch**

- ◆ 2 off
- ◆ Cut out catch

**9 Bracket**

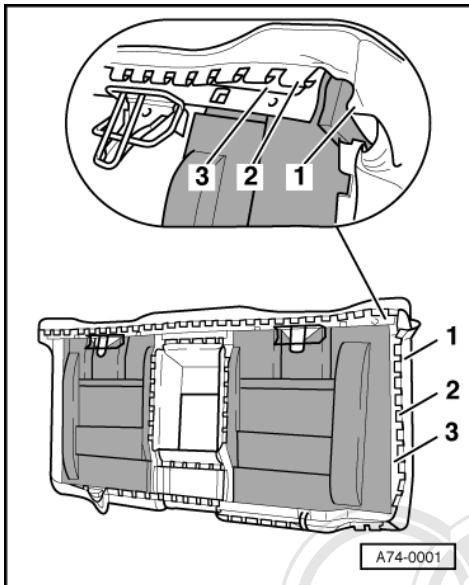
- ◆ Fit using upholstery stapler V.A.G 1634

### 3.3 - Removing and installing backrest cover and upholstery

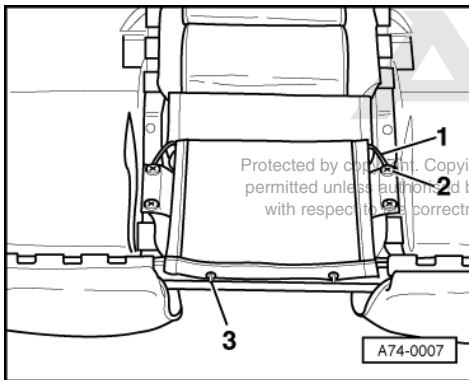
#### Removing

Important  
Observe safety precautions for working on airbag =>

- Remove rear bench seat =>Page 330 .
- Remove rear seat backrest => Page 330 .

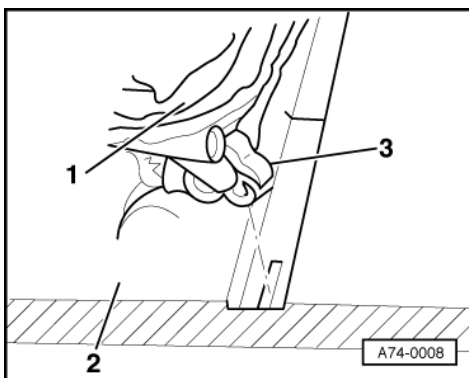


- Remove head restraints- => Page 333
- Remove head restraint guides => Page 333 .
- Detach rear armrest => Page 333
- -> Detach fastening strip -2- all round backrest frame -3-.
- Fold cover -1- forwards.



Protected by copyright. Copying for private or commercial purposes, in part or in whole, is not permitted unless authorized by AUDI AG. AUDI AG does not guarantee or accept any liability with respect to the correctness of information in this document. Copyright by AUDI AG.

- -> Screw out bolts -2- for tensioning strip -1- and detach tensioning spring.
- Bend open the two hooks -3- and detach cover.
- Detach fastening strip of cover and detach cover.



- -> Detach clips -3- from upholstery wire of backrest upholstery -2-.
- Bend open clips with screwdriver and detach upholstery wire.

1 - Cover



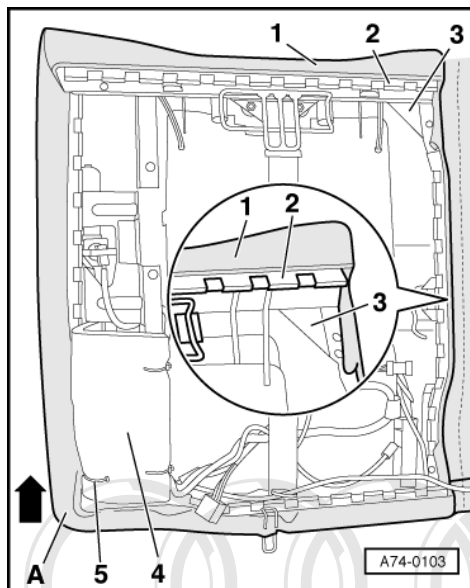
## Installing

Installation is carried out in the reverse order; note the following:

### Important

- ◆ In order to guarantee the function of the side airbag the new upholstery staples must be entered at the same place as before their removal, when working at the backrest cover.
- ◆ Use is only to be made of backrest covers released for side airbags by AUDI AG.
- ◆ Observe rear seat backrest installation instructions =>

## 3.4 - Removing and installing backrest cover and upholstery with third head restraint



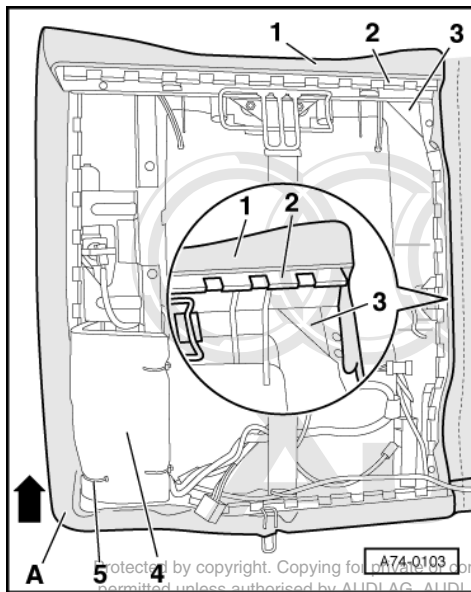
- ◆ Removing

### Important

Observe safety precautions for working on airbag =>

- Remove rear bench seat =>Page 330 .
- Remove rear seat backrest => Page 330 .
- Remove head restraints => Page 333 .
- Remove head restraint guides => Page 333 .
- Remove centre armrest with third head restraint => Page 334 .

Protective measures must be observed when working on airbags. The use of airbags is permitted unless authorised by AUDI AG. AUDI AG does not guarantee or accept any liability with respect to the correctness of information in this document. Copyright by AUDI AG.

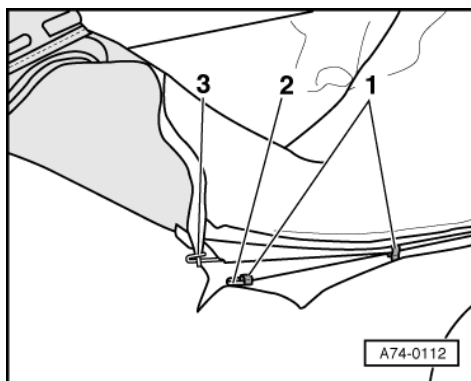


Copyright by Audi AG. Copying for non-commercial purposes, in part or in whole, is not permitted unless authorized by AUDI AG. AUDI AG does not guarantee or accept any liability with respect to the correctness of information in this document. Copyright by AUDI AG.

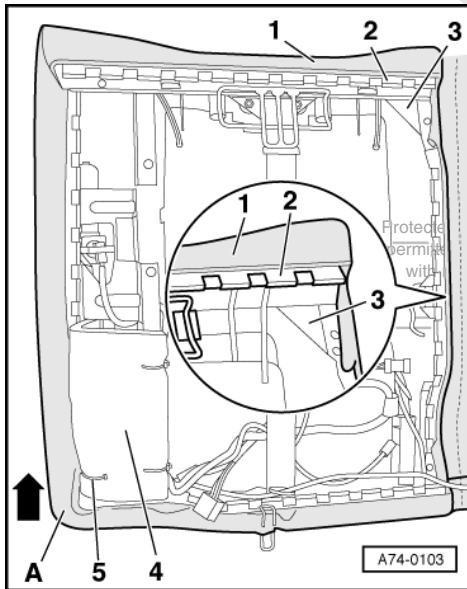
**Note:**

*Fig. shows right side of backrest.*

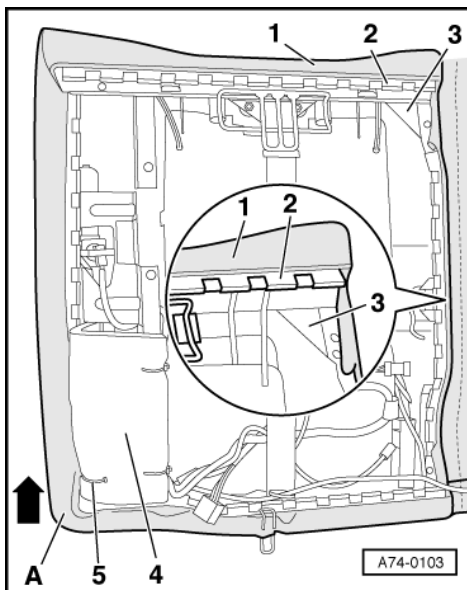
- -> Unfasten cable tie -5-.
- Remove cover -4- sideways.
- Detach fastening strip -2- all around backrest frame -3-.
- Fold cover -1- forwards.



- Bend end of upholstery wire -3- open using a screwdriver and detach upholstery wire -3-.
- -> Detach clips -1- from upholstery wire of backrest upholstery -2-.



- Start fitting cover in corner -A- and work in direction of arrow.



- ◆ Installing

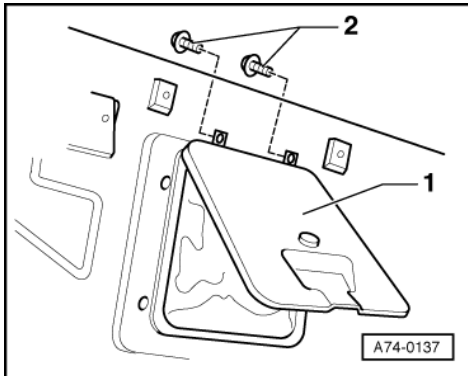
**Important**

- ◆ In order to guarantee the function of the side airbag the new upholstery staples must be entered at the same place as before their removal, when working at the backrest cover.
- ◆ Use is only to be made of backrest covers released for side airbags by AUDI AG.

Installation is carried out in the reverse order; note the following:

- -> Attach clips -3- in original position.
- Use short clips with the sports seat.
- For the normal seat use short clips at the cross members and long clips all around.

### 3.5 - Removing ski bag



#### Removing

- Remove rear seat backrest => Page 330 .
- Pull off foil on inside above ski bag.
- -> Remove screws -2- (2x).
- Press out top of ski bag -1- rearwards and lift out ski bag -1-.

#### Installing

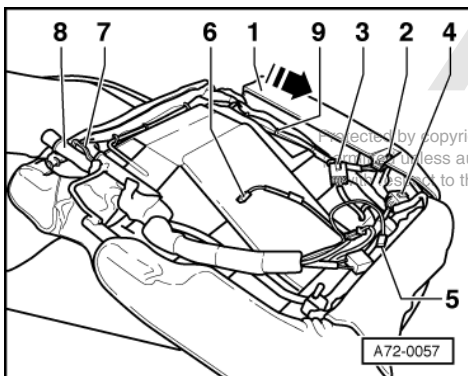
- Insert ski bag at bottom and engage at top.
- Screw in bolts -2- (2x).

### 3.6 - Removing and installing rear seat cover and upholstery with electrically adjustable individual seat

#### Removing

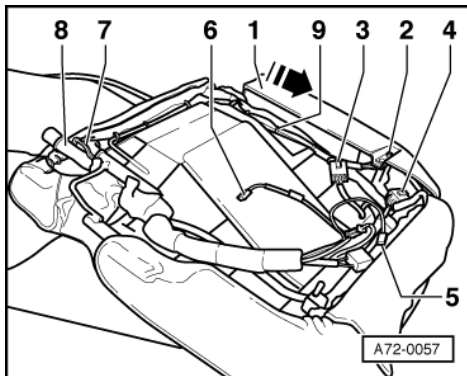
**Important**  
 Observe safety precautions for working on airbag =>

- Remove rear seat => from Page 369 .
- Detach backrest from rear seat =>Page 373



- -> Unfasten wiring harness -8- from rear seat.
- Screw out bolt -2- and detach retaining plate.
- Pull trim panel -1- upwards and in direction of arrow.
- Detach connectors -3- and -4-.

- Detach wire -7- with 2-pin multiple plug -6- from wiring harness -8-.
- 5 - Tunnel connector for side airbag



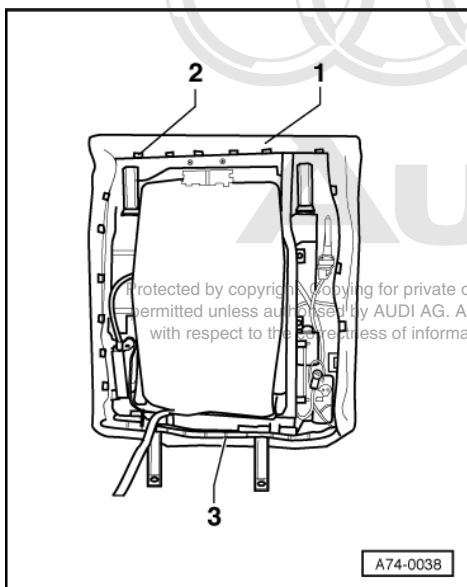
- -> Pinch off upholstery staples -9- on back using side-cutting pliers.
- Fold over cover and pinch off upholstery staples at transverse and longitudinal wires.

Important  
Observe seat installation instructions =>

### 3.7 - Removing and installing backrest cover and upholstery with electrically adjustable individual seat

Important  
Observe safety precautions for working on airbag =>

- Remove rear seat => from Page 369 .
- Detach backrest from rear seat =>Page 373 .
- Unfasten wiring harness from rear seat.
- Remove head restraints- => Page 333 .
- Removing head restraint guides => Page 333 .



Protected by copyright. Copying for private or commercial purposes, in part or in whole, is not permitted unless authorized by AUDI AG. AUDI AG does not guarantee or accept any liability with respect to the correctness of information in this document. Copyright by AUDI AG.

- -> Use screwdriver to lever out cover clips -2- on back.
- Use side-cutting pliers to pinch off upholstery staples.
- Fold over cover and pinch off upholstery staples at transverse and longitudinal wires.

Important

- ◆ In order to guarantee the function of the side airbag the new upholstery staples must be entered at the same place as before their removal, when working at the backrest cover.
- ◆ Use is only to be made of backrest covers released for side airbags by AUDI AG.
- ◆ Observe seat installation instructions =>

### 3.8 - Replacing backrest/seat heating element

Important  
Observe safety precautions for working on airbag =>

**Note:**

*The rear seats are not provided with heating elements for backrest and seat side cushions.*

Important

- Remove backrest/seat cover.

#### Removing and installing heating element (inserted in cover)

**Note:**

*Work required for removing and installing rear heating element is the same as for the front backrest heating element => from Page 393 .*

#### Removing and installing heating element (bonded)

- Detach wire directly at cushion.
- Bond new heating element onto old one.

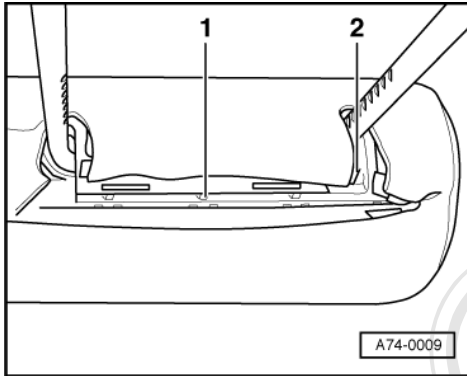
Important  
Observe rear seat backrest installation instructions =>

## 4 - Head restraints

### 4.1 - Head restraints

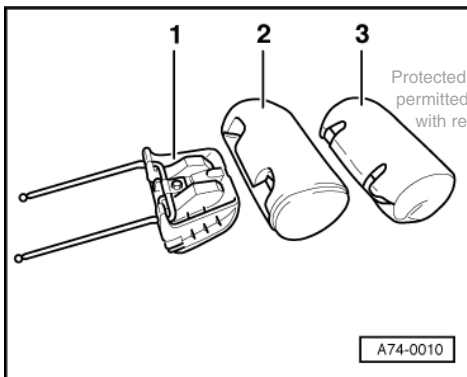
### 4.2 - Removing and installing head restraint fabric and upholstery

- Head restraints removed => Page 333
- Protected by copyright. Copying for private or commercial purposes, in part or in whole, is not permitted unless authorized by AUDI AG. AUDI AG does not guarantee or accept any liability with respect to the correctness of information in this document. Copyright by AUDI AG.



### Removing

- -> Use screwdriver to press back fastening strips -2- from lugs -1-.
- Pull out the three fastening strips.

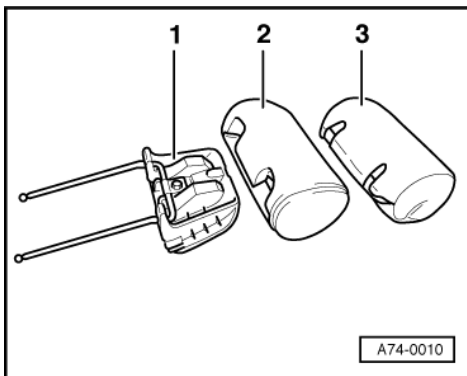


Protected by copyright. Copying for private or commercial purposes, in part or in whole, is not permitted unless authorised by AUDI AG. AUDI AG does not guarantee or accept any liability with respect to the correctness of information in this document. Copyright by AUDI AG.

- -> Take head restraint backing plate -1- before upholstery -2- out of cover -3-.

### Installing

Installation is carried out in the reverse order; note the following:



- -> Insert upholstery -2- in cover -3-.

### Note:

*Seams of cover must be properly inserted in recesses in upholstery.*

- Insert head restraint backing plate -1- into upholstery -2-.
- Press fastening strips firmly into guide slot (check by pulling).